



US00D717134S

(12) **United States Design Patent**
Lyytikäinen et al.

(10) **Patent No.:** **US D717,134 S**
(45) **Date of Patent:** **** Nov. 11, 2014**

(54) **LOPPER**

(71) Applicant: **Fiskars Brands Finland Oy Ab**, Billnäs (FI)

(72) Inventors: **Sami Lyytikäinen**, Lohja (FI); **Markus Onnela**, Helsinki (FI); **Olli-Pekka Väänttilä**, Lohja (FI); **Petteri Masalin**, Helsinki (FI)

(73) Assignee: **Fiskars Brands Finland Oy Ab**, Billnäs (FI)

(**) Term: **14 Years**

(21) Appl. No.: **29/473,748**

(22) Filed: **Nov. 25, 2013**

Related U.S. Application Data

(62) Division of application No. 29/456,729, filed on Jun. 3, 2013.

Foreign Application Priority Data

Dec. 17, 2012 (EM) 002154146-0003
Dec. 17, 2012 (EM) 002154146-0006
Dec. 17, 2012 (EM) 002154146-0011

(51) **LOC (10) Cl.** **08-01**

(52) **U.S. Cl.**
USPC **D8/5**

(58) **Field of Classification Search**
CPC A01G 3/02; A01G 3/08; A01G 3/0251;
A01G 3/0255; B26B 13/26; B26B 17/00
USPC D8/4, 5, 52, 57-58; 30/251-252,
30/261-262, 266, 287, 131, 135
See application file for complete search history.

(56) **References Cited**

U.S. PATENT DOCUMENTS

5,020,222	A	6/1991	Gosselin et al.	
D344,218	S	2/1994	Wensley et al.	
D344,219	S	2/1994	Wensley et al.	
5,570,510	A	11/1996	Linden	
5,689,888	A	11/1997	Linden	
D464,855	S *	10/2002	Clivio	D8/5
D501,765	S *	2/2005	Tatic	D8/5
7,441,337	B2	10/2008	Linden et al.	
D620,771	S *	8/2010	Goetz et al.	D8/5
8,046,924	B2	11/2011	Block et al.	
8,220,164	B2	7/2012	Linden et al.	

(Continued)

OTHER PUBLICATIONS

U.S. Appl. No. 29/424,455, filed Jun. 12, 2012, Masalin et al.

(Continued)

Primary Examiner — Sheryl Lane

(74) *Attorney, Agent, or Firm* — Foley & Lardner LLP

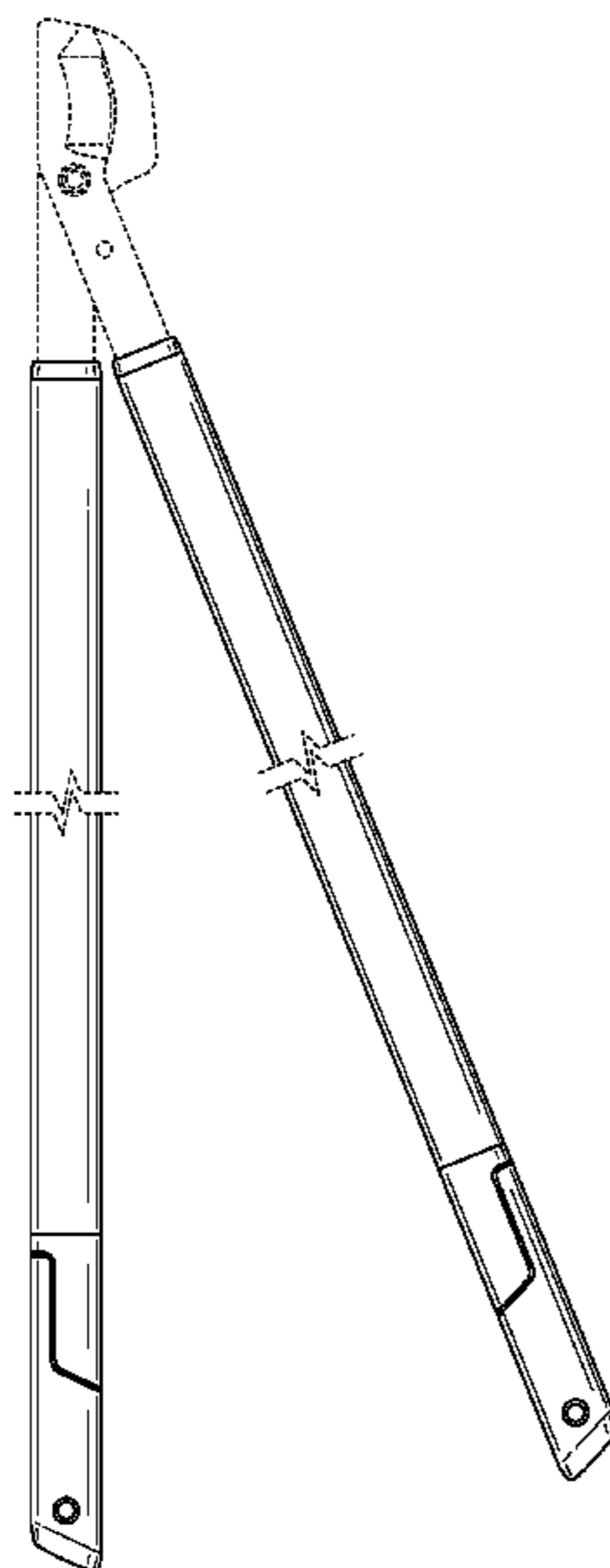
(57) **CLAIM**

We claim the ornamental design for a lopper, as shown and described.

DESCRIPTION

FIG. 1 is a top perspective view of the claimed design;
FIG. 2 is a bottom perspective view of FIG. 1;
FIG. 3 is a top view of FIG. 1;
FIG. 4 is a bottom view of FIG. 1;
FIG. 5 is a left side view of FIG. 1;
FIG. 6 is a right side view of FIG. 1;
FIG. 7 is a rear view of FIG. 1; and,
FIG. 8 is a front view of FIG. 1.

1 Claim, 8 Drawing Sheets



(56)

References Cited

U.S. PATENT DOCUMENTS

D684,828 S * 6/2013 Masalin et al. D8/5
D693,192 S * 11/2013 Masalin et al. D8/5
D693,658 S * 11/2013 Liu D8/5
D693,659 S * 11/2013 Liu D8/5
D704,520 S * 5/2014 Lyytikainen et al. D8/5

OTHER PUBLICATIONS

U.S. Appl. No. 29/445,689, filed Feb. 14, 2013, Fiskars Brands Finland Oy Ab.

U.S. Appl. No. 29/445,690, filed Feb. 14, 2013, Fiskars Brands Finland Oy Ab.

* cited by examiner

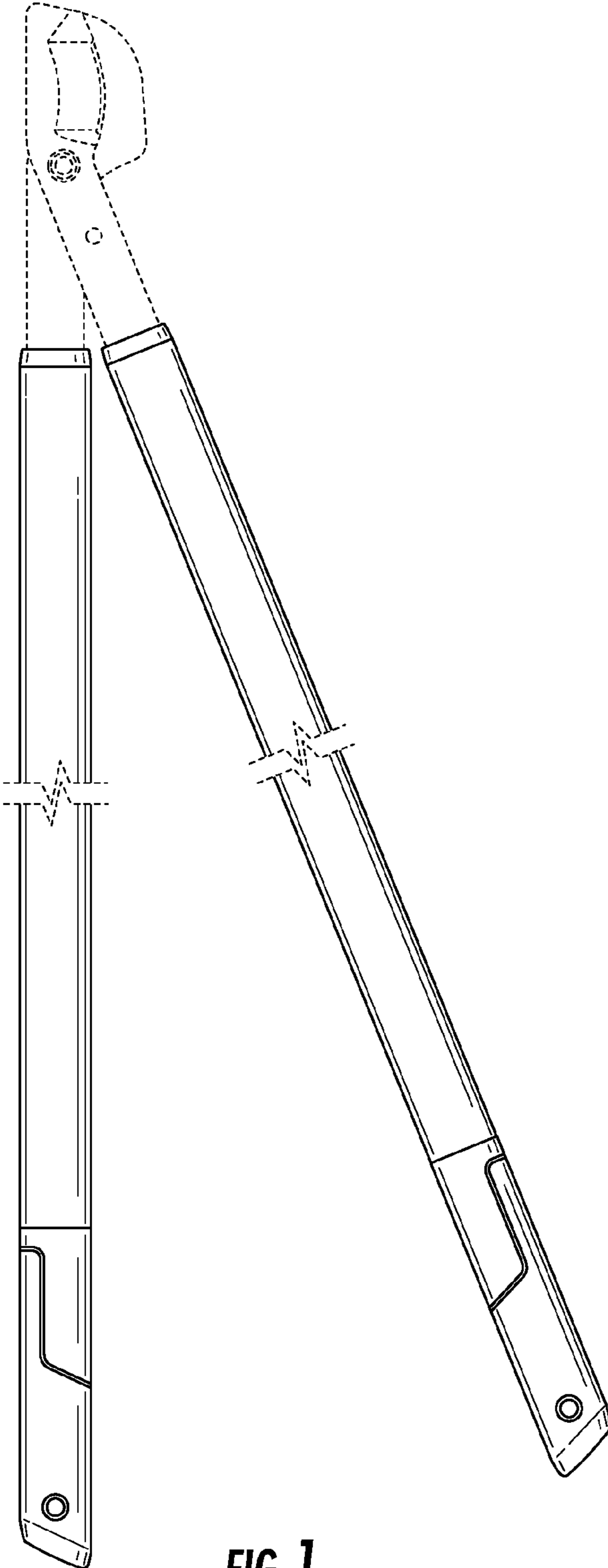


FIG. 1

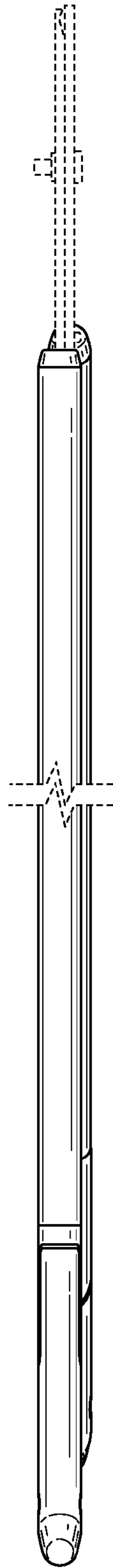


FIG. 2

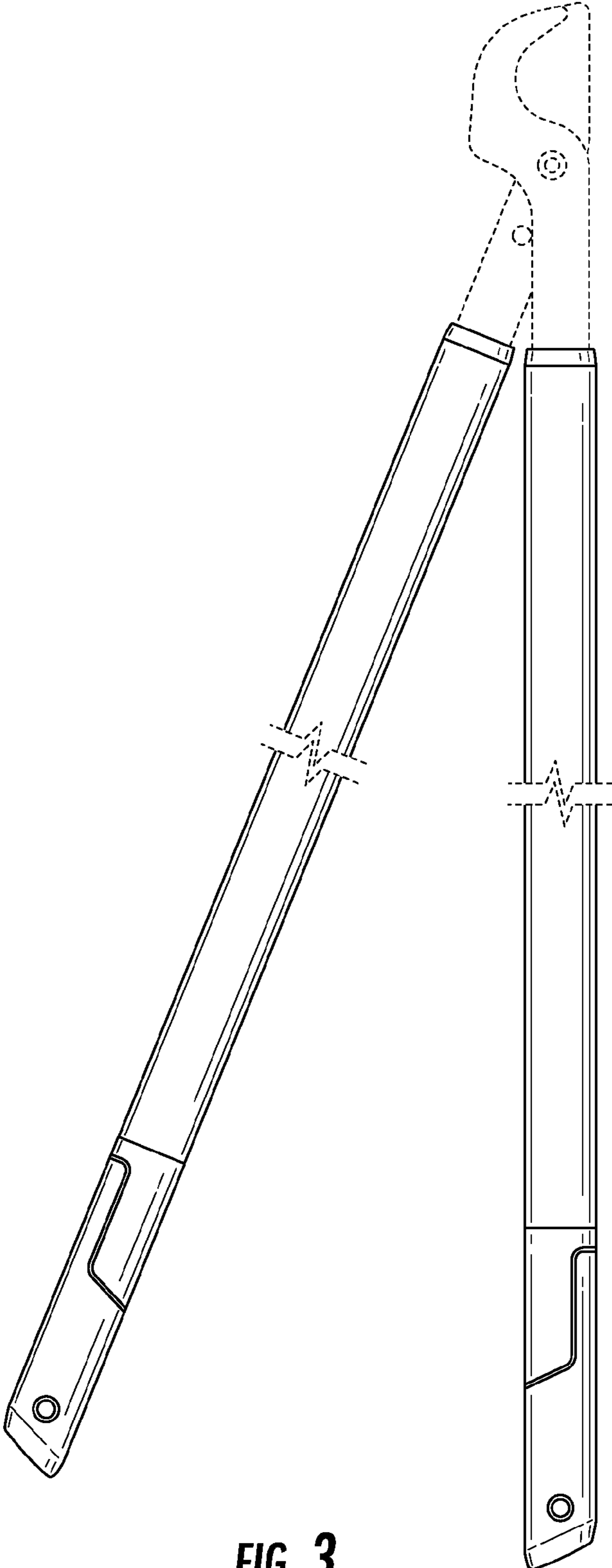


FIG. 3

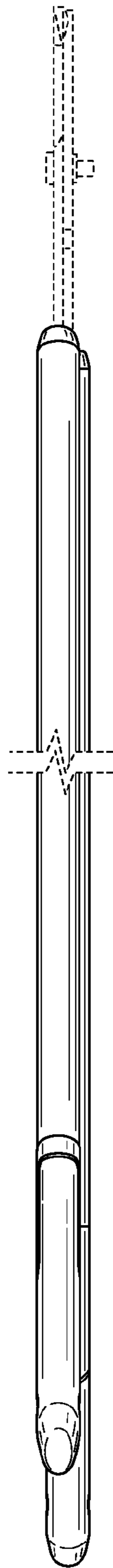


FIG. 4

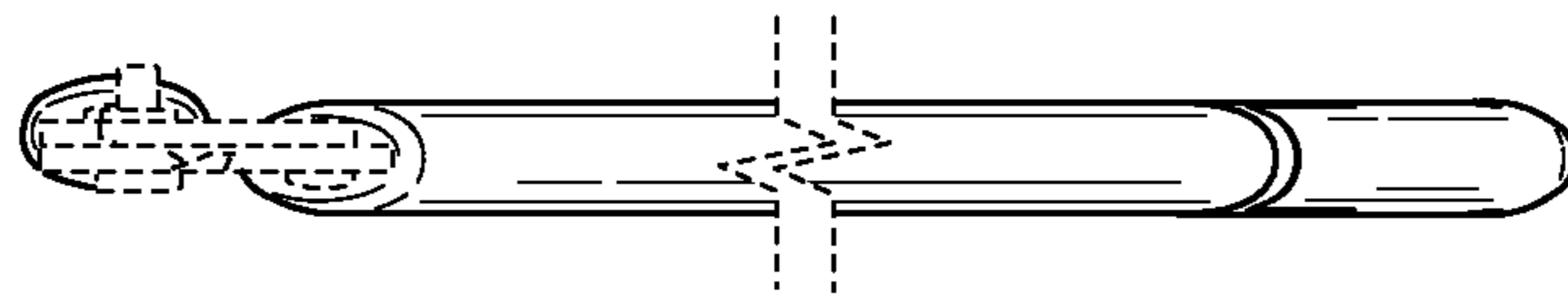


FIG. 5

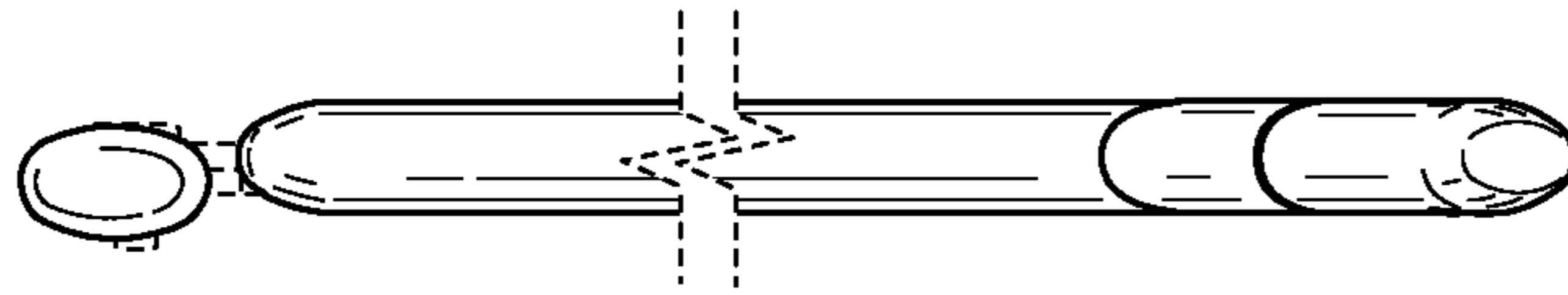


FIG. 6

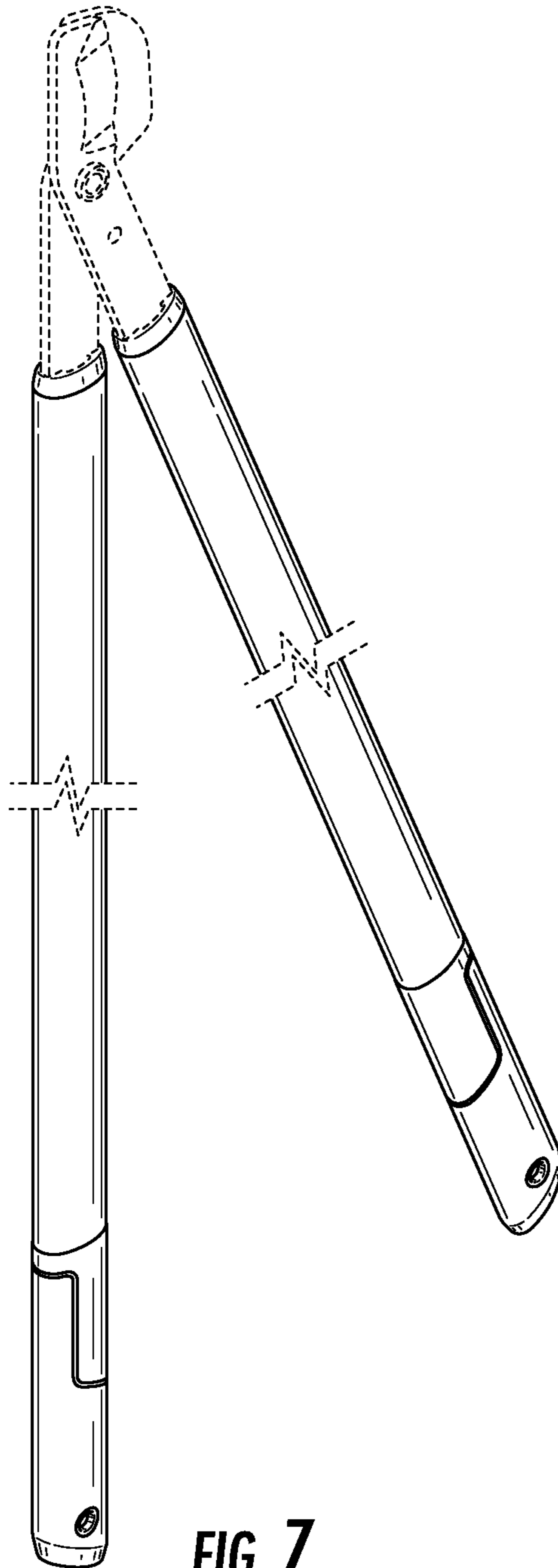


FIG. 7

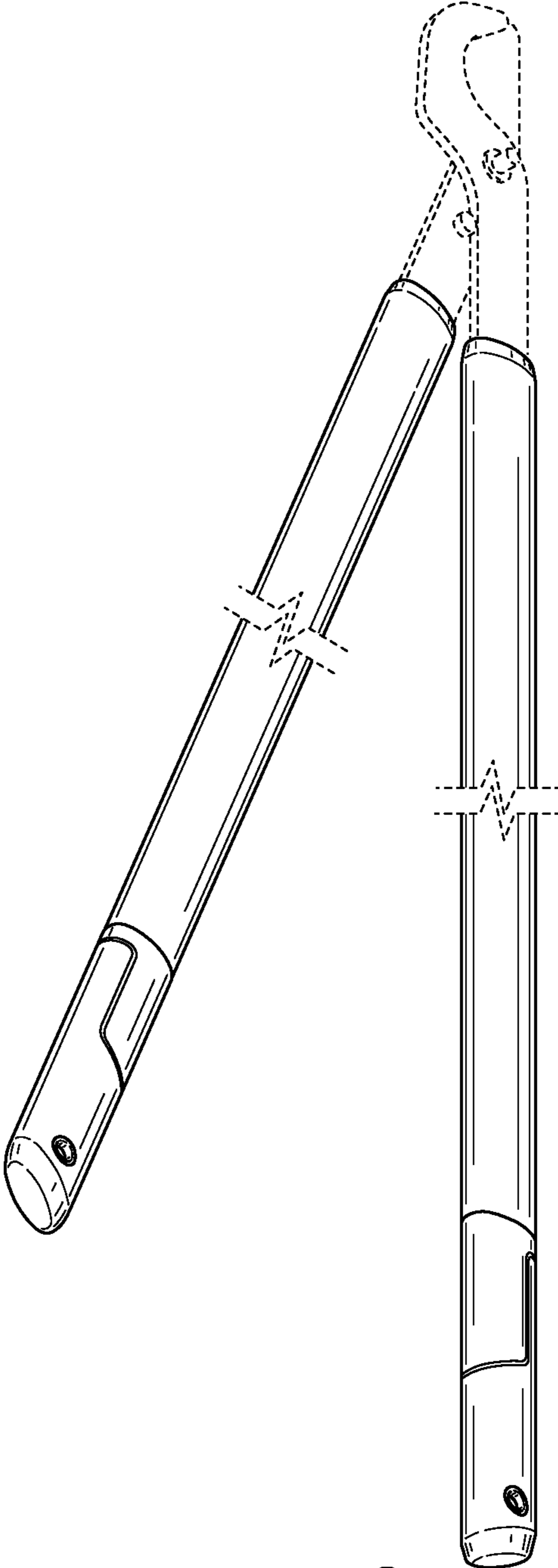


FIG. 8