



US00D717133S

(12) **United States Design Patent**  
**Lyytikäinen et al.**

(10) **Patent No.:** **US D717,133 S**  
(45) **Date of Patent:** **\*\* Nov. 11, 2014**

(54) **GARDEN TOOL**

(71) Applicant: **Fiskars Brands Finland Oy Ab**, Billnäs (FI)

(72) Inventors: **Sami Lyytikäinen**, Lohja (FI); **Markus Onnela**, Helsinki (FI); **Olli-Pekka Väänttilä**, Lohja (FI); **Petteri Masalin**, Helsinki (FI)

(73) Assignee: **Fiskars Brands Finland Oy Ab**, Billnäs (FI)

(\*\*) Term: **14 Years**

(21) Appl. No.: **29/456,729**

(22) Filed: **Jun. 3, 2013**

(30) **Foreign Application Priority Data**

Dec. 17, 2012 (EM) ..... 002154146-0003  
Dec. 17, 2012 (EM) ..... 002154146-0006  
Dec. 17, 2012 (EM) ..... 002154146-0011

(51) **LOC (10) Cl.** ..... **08-01**

(52) **U.S. Cl.**  
USPC ..... **D8/5**

(58) **Field of Classification Search**  
CPC ..... A01G 3/02; A01G 3/025; A01G 3/06;  
A01G 3/065; A01G 3/08; B26B 13/00  
USPC ..... D8/1, 5, 4, 52; 30/251–252, 261–262,  
30/266, 287, 131, 135  
See application file for complete search history.

(56) **References Cited**

**U.S. PATENT DOCUMENTS**

5,020,222 A 6/1991 Gosselin et al.  
D344,218 S 2/1994 Wensley et al.

D344,219 S 2/1994 Wensley et al.  
5,570,510 A 11/1996 Linden  
5,689,888 A 11/1997 Linden  
D464,855 S 10/2002 Clivio  
D501,765 S 2/2005 Tatic

(Continued)

**OTHER PUBLICATIONS**

U.S. Appl. No. 29/424,455, filed Jun. 12, 2012, Masalin et al.

(Continued)

*Primary Examiner* — Sheryl Lane

(74) *Attorney, Agent, or Firm* — Foley & Lardner LLP

(57) **CLAIM**

We claim the ornamental design for a garden tool, as shown and described.

**DESCRIPTION**

FIG. 1 is a front elevation view of an embodiment of the claimed design;

FIG. 2 is a left side view of the claimed design of FIG. 1;

FIG. 3 is a rear elevation view of the claimed design of FIG. 1;

FIG. 4 is a right side view of the claimed design of FIG. 1;

FIG. 5 is a top view of the claimed design of FIG. 1;

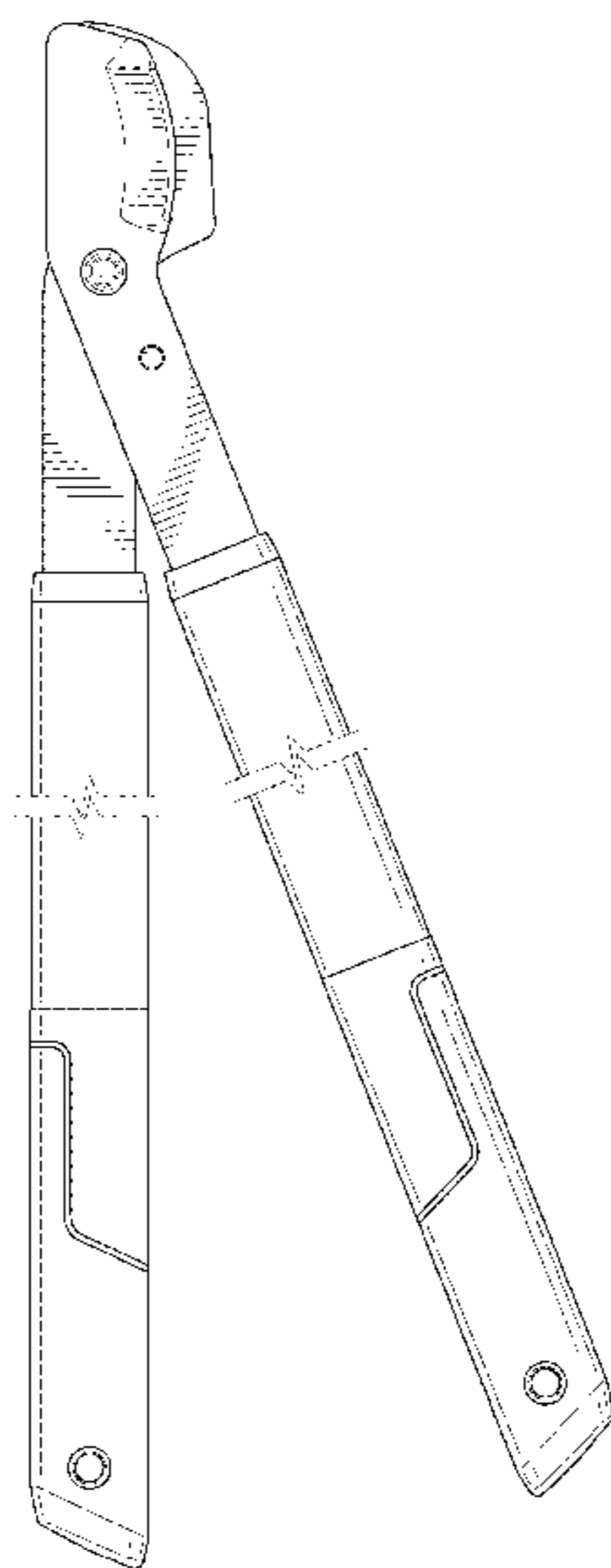
FIG. 6 is a bottom view of the claimed design of FIG. 1;

FIG. 7 is a front perspective view of the claimed design of FIG. 1; and,

FIG. 8 is a rear perspective view of the claimed design of FIG. 1.

The broken lines formed by equal length dashes represent unclaimed portions of the design. The broken lines formed by unequal length dashes (i.e. dash-dot) show boundaries between the claim and unclaimed portions of the design.

**1 Claim, 8 Drawing Sheets**



(56)

**References Cited**

**OTHER PUBLICATIONS**

U.S. PATENT DOCUMENTS

7,441,337 B2 10/2008 Linden et al.  
D620,771 S 8/2010 Goetz et al.  
D646,534 S \* 10/2011 Deville ..... D8/5  
8,046,924 B2 11/2011 Block et al.  
8,220,164 B2 7/2012 Linden et al.  
D684,828 S \* 6/2013 Masalin et al. .... D8/5  
D691,004 S \* 10/2013 Masalin et al. .... D8/4  
D693,192 S \* 11/2013 Masalin et al. .... D8/5  
D693,659 S 11/2013 Liu  
D704,520 S 5/2014 Lyytikainen et al.

U.S. Appl. No. 29/445,689, filed Feb. 14, 2013, Fiskars Brands Finland Oy Ab.  
U.S. Appl. No. 29/445,690, filed Feb. 14, 2013, Fiskars Brands Finland Oy Ab.  
Notice of Allowance on U.S. Appl. No. 29/473,748, mail date Jun. 6, 2014, 9 pages.

\* cited by examiner

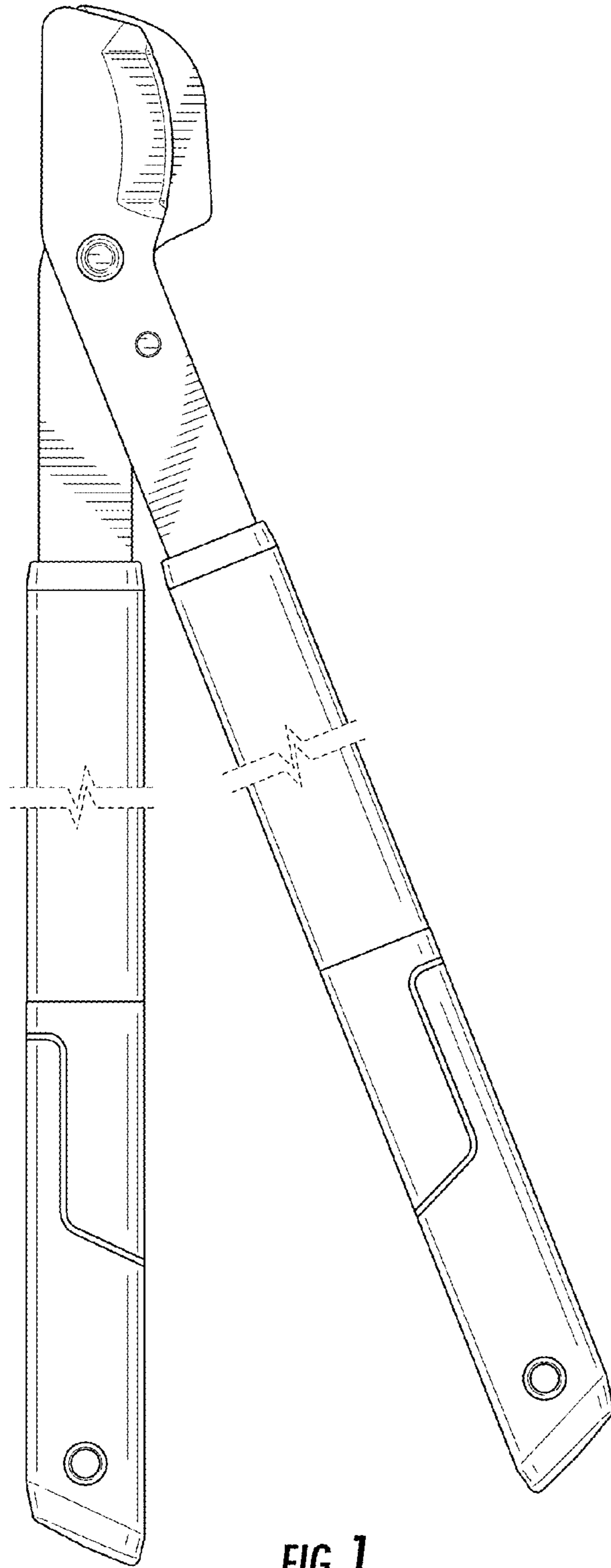
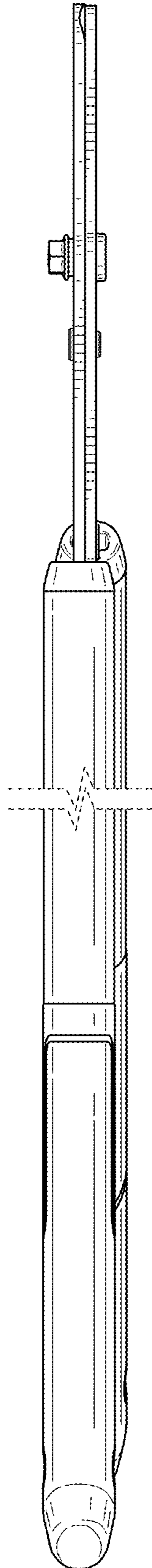


FIG. 1



**FIG. 2**

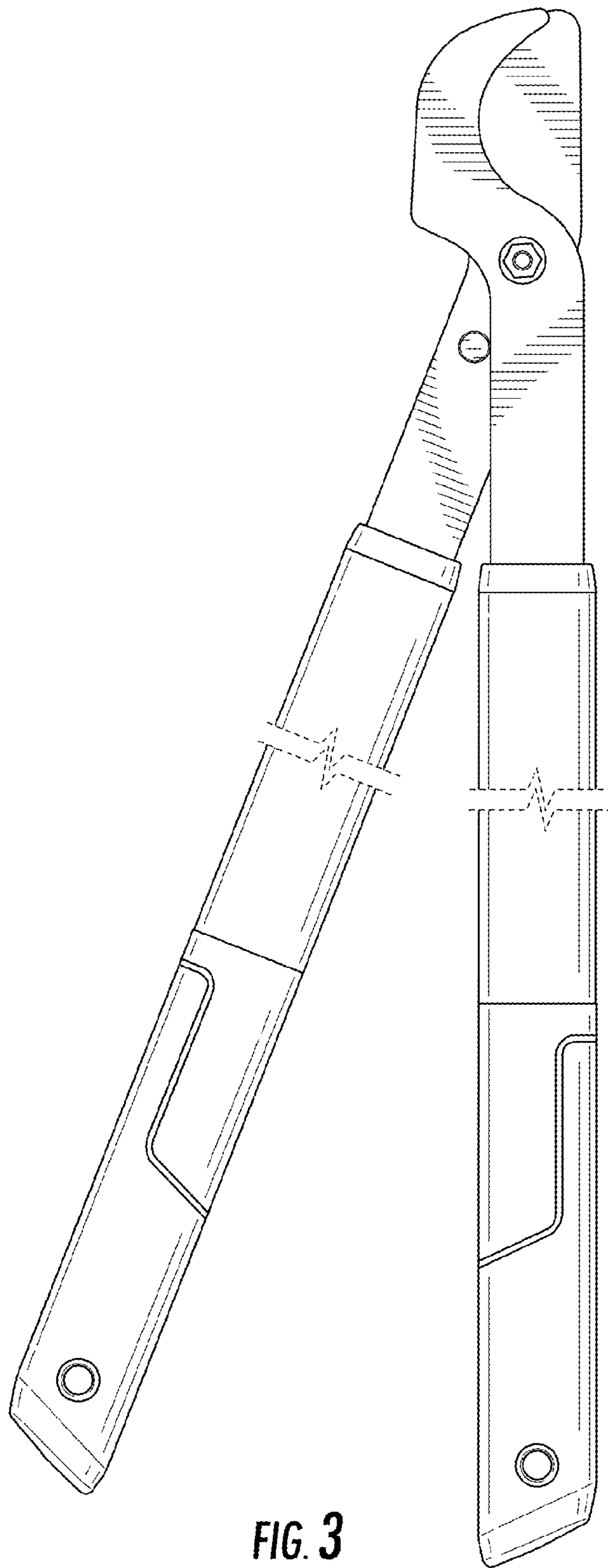
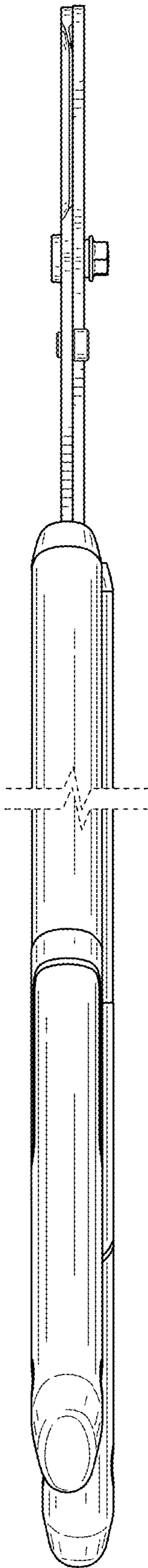
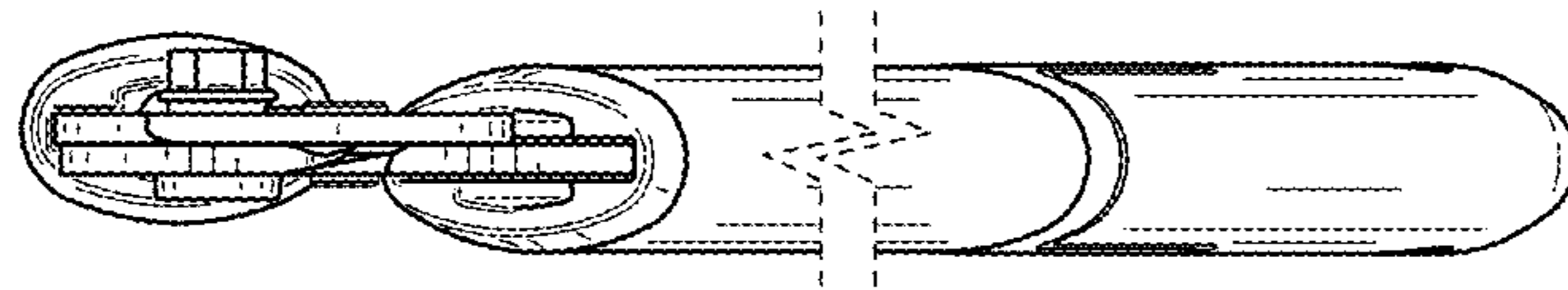


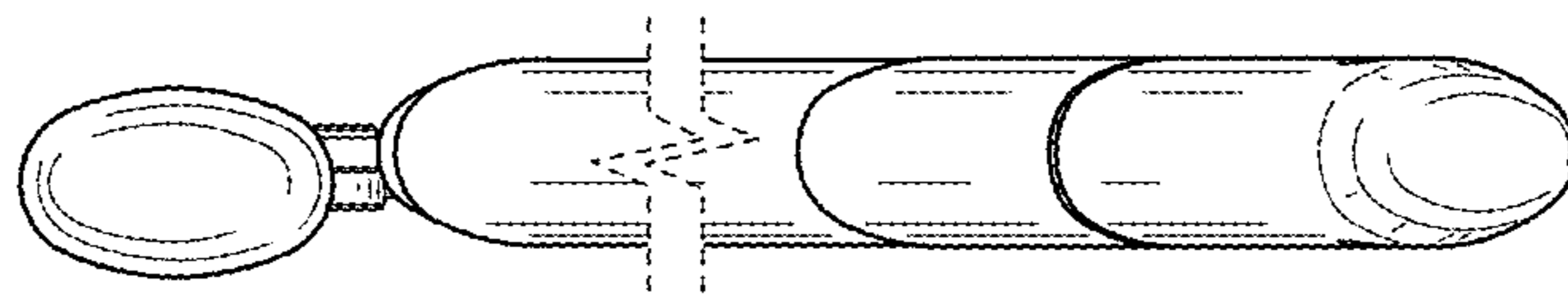
FIG. 3



**FIG. 4**

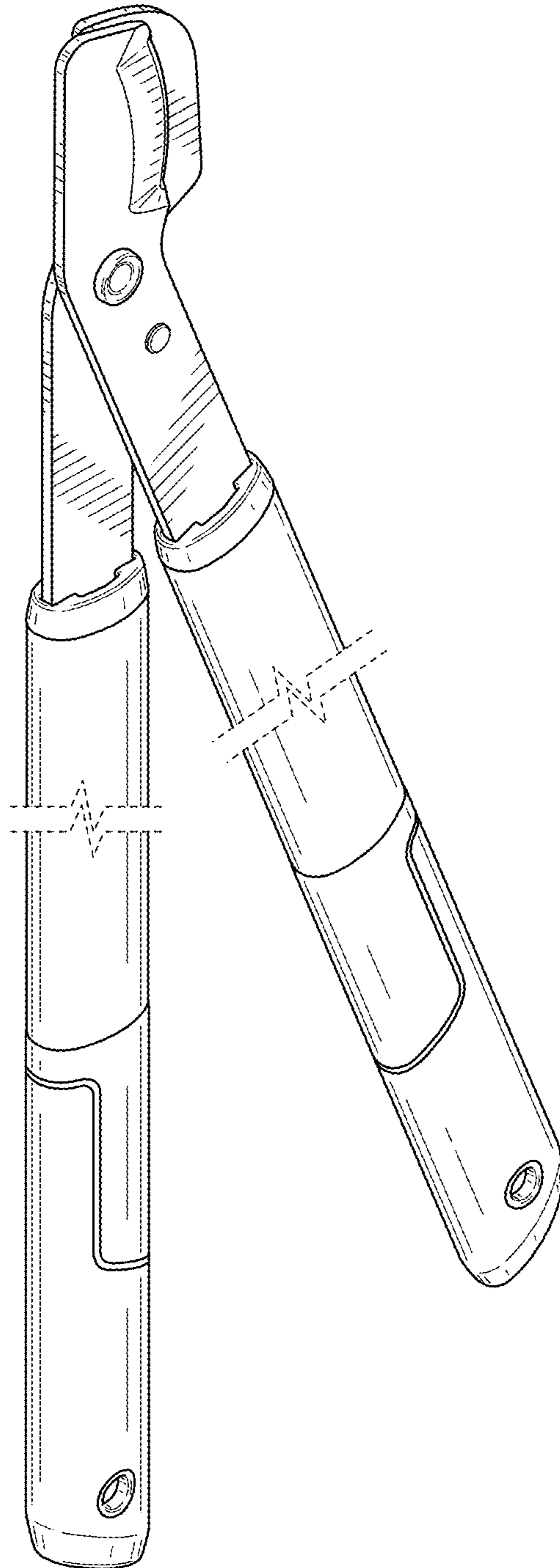


**FIG. 5**



**FIG. 6**





**FIG. 7**

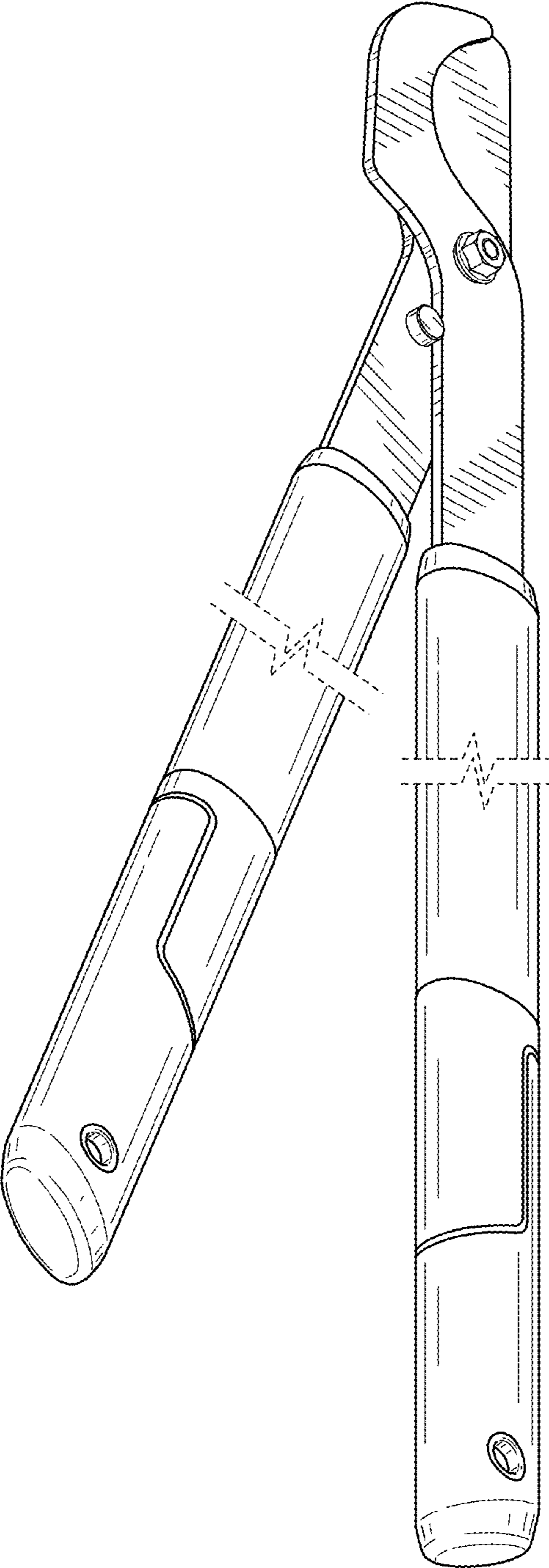


FIG. 8