



US00D717132S

(12) **United States Design Patent**
Van Dyke

(10) **Patent No.:** **US D717,132 S**
(45) **Date of Patent:** **** Nov. 11, 2014**

(54) **RACK FOR WINE GLASS AND BOTTLE**

(71) Applicant: **Tool Technologies by Van Dyke, LLC**,
Marysville, OH (US)

(72) Inventor: **Steven R. Van Dyke**, Milford Center,
OH (US)

(73) Assignee: **Tool Technologies by Van Dyke, LLC**,
Marysville, OH (US)

(**) Term: **14 Years**

(21) Appl. No.: **29/451,795**

(22) Filed: **Apr. 9, 2013**

(51) **LOC (10) Cl.** **07-06**

(52) **U.S. Cl.**
USPC **D7/708**

(58) **Field of Classification Search**

CPC ... A47G 23/0241; A47G 23/02; A47G 23/00;
A47G 23/0208; A47G 23/0216; A47G 23/03;
A47G 23/0316; A47G 23/032; A47G 23/06;
A47G 23/0616; A47G 23/0608; A47G
23/0625; A47G 23/0633; A47G 23/0641;
A47G 2007/02; A47G 2007/00; A47G
2023/00; A47G 2023/02; A47G 2023/06;
A47G 21/001; A47G 2029/00
USPC D7/701-708, 553.1, 553.2, 554.3,
D7/554.4, 553.6, 557, 619.1, 624.1, 505,
D7/549, 555, 396.2, 396.1, 387, 616, 601,
D7/602; 220/574-575, 23.83, 23.86;
294/87.28, 172; 211/74, 126.1, 1, 85.4,
211/41.3; 248/311.2, 312, 560, 27.3, 74.2,
248/74.1, 67.7, 95, 103, 102, 105; D6/512,
D6/457; D8/16, 17, 21, 349, 354, 373,
D8/380, 381, 382, 396; D24/128; 206/217

See application file for complete search history.

(56) **References Cited**

U.S. PATENT DOCUMENTS

D113,023 S * 1/1939 Tabb D7/548
2,204,117 A * 6/1940 Brammer 474/241
D180,332 S * 5/1957 Jackson D8/358
3,570,169 A * 3/1971 Jacob 446/114

(Continued)

OTHER PUBLICATIONS

Wooden wine glass and bottle holder—Wayback Machine, [online],
crawled on Aug. 26, 2011, retrieved on Aug. 19, 2014. Retrieved
from, <URL: <http://web.archive.org/web/20110826044508/http://winerackbar.com/wooden-wine-glass-and-bottle-holder/>>, 1 page.*

(Continued)

Primary Examiner — Ian Simmons

Assistant Examiner — Shannon Morgan

(74) *Attorney, Agent, or Firm* — Jason H. Foster;
Kremblas & Foster

(57) **CLAIM**

The ornamental design for a rack for wine glass and bottle, as
shown and described.

DESCRIPTION

FIG. 1 is a top, front perspective view of a rack for wine glass
and bottle showing my new design;

FIG. 2 is a top plan view thereof, the bottom plan view being
identical thereof;

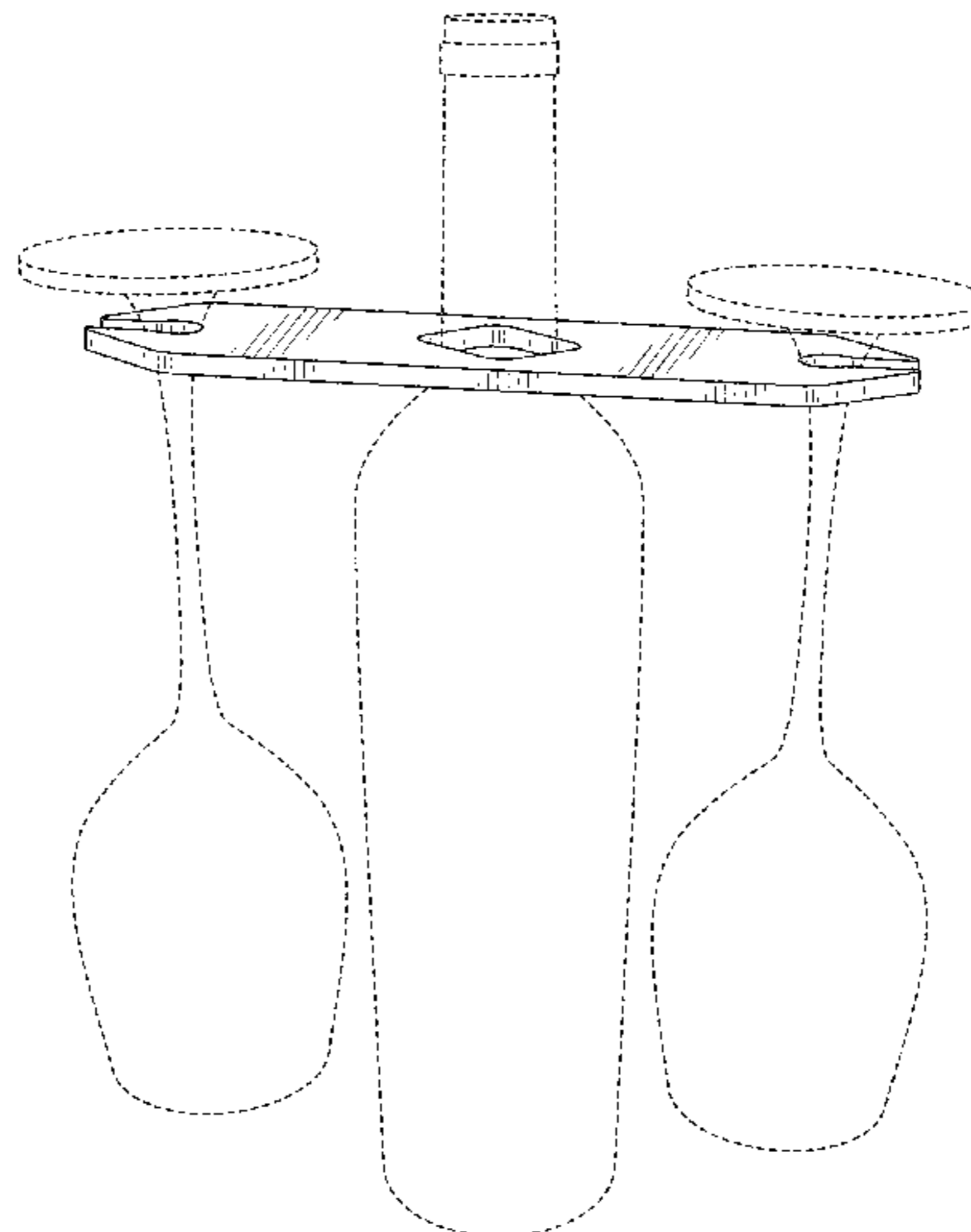
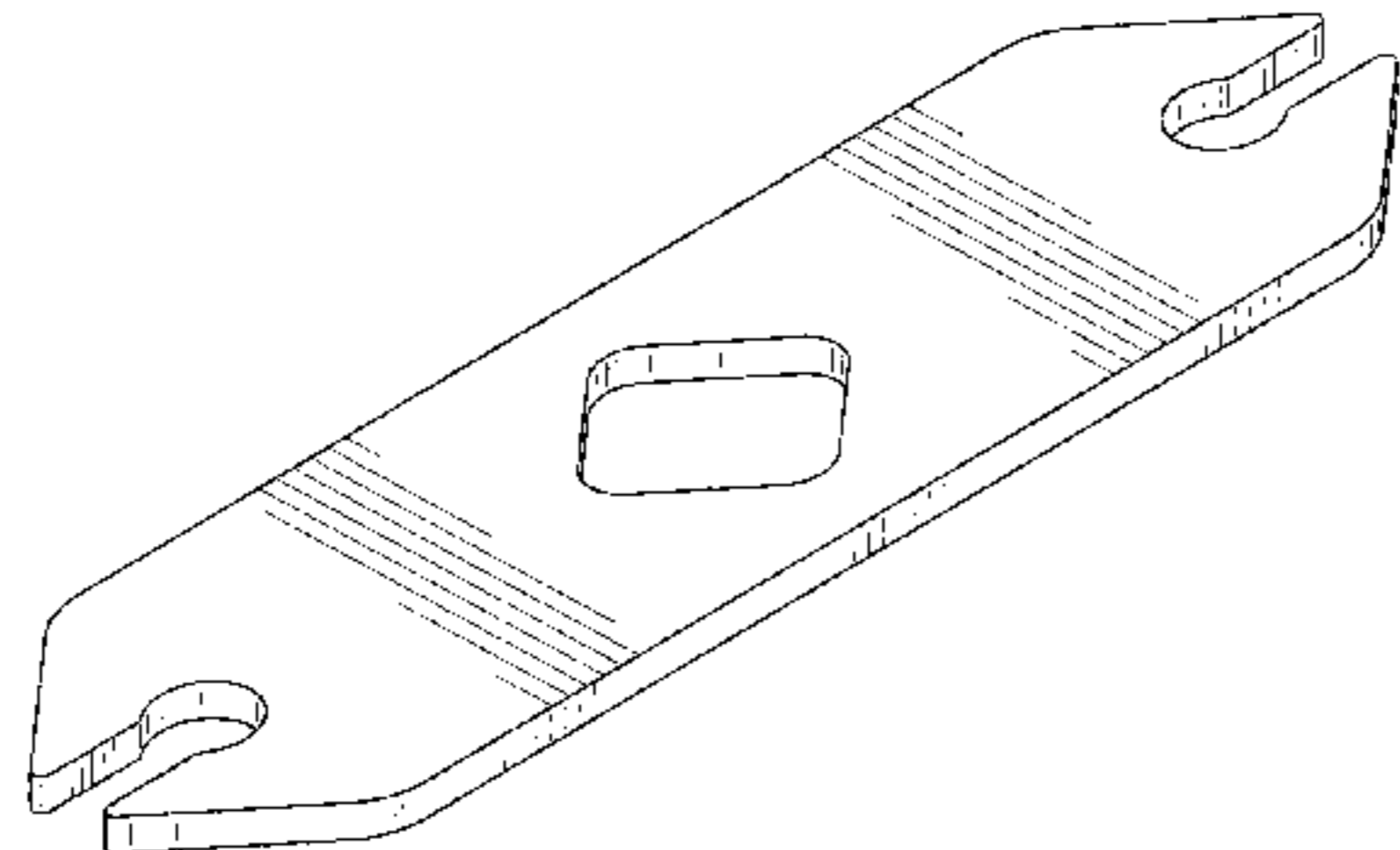
FIG. 3 is a front elevational view thereof; the rear elevational
view being identical thereof;

FIG. 4 is a right side elevational view thereof; the left side
elevational view being identical thereof; and,

FIG. 5 is a front, top perspective view of a rack for wine glass
and bottle showing my new design.

The broken lines showing glasses and bottle in FIG. 5 of the
rack for wine glass and bottle are for the purpose of illustrat-
ing environment, and form no part of the claimed design.

1 Claim, 3 Drawing Sheets



(56)

References Cited

U.S. PATENT DOCUMENTS

D241,006 S * 8/1976 Wallace D8/373
 D256,772 S * 9/1980 Helgren D8/395
 D273,454 S * 4/1984 Pyles D8/28
 D282,046 S * 1/1986 Dumond et al. D8/21
 D298,355 S * 11/1988 Young D24/128
 D329,964 S * 10/1992 Dobbins et al. D7/619.1
 D342,421 S * 12/1993 DuBow D7/708
 D419,402 S * 1/2000 Baker D7/708
 D461,107 S * 8/2002 Pitt D8/17
 D545,650 S * 7/2007 Kiely D8/19
 D575,600 S * 8/2008 Mayer D7/708
 D576,867 S * 9/2008 Kretz D8/356
 D614,926 S * 5/2010 Cox D7/708
 D623,478 S * 9/2010 Hayashi D7/551.1
 D639,684 S * 6/2011 Essel D10/65
 D657,564 S * 4/2012 Baker D3/328
 D665,993 S * 8/2012 Pyle D3/210
 D684,015 S * 6/2013 Sanders D7/619.2
 D691,432 S * 10/2013 Chiorazzi et al. D7/708

D710,969 S * 8/2014 Bradford et al. D23/209
 2005/0017134 A1 * 1/2005 Hooper 248/103
 2010/0209662 A1 * 8/2010 Slade et al. 428/131

OTHER PUBLICATIONS

Wood-Ever—Wayback Machine, [online], crawled on May 13, 2008, retrieved on Aug. 19, 2014. Retrieved from, <URL: <http://web.archive.org/web/20080513180511/http://www.wood-ever.com/index.cfm?fuseaction=products&CategoryID=66>>, 1 page.*
 Wine glass holder that will slip over a wine bottle by Shapely Wood, [online], product listed on Jun. 22, 2014, retrieved on Aug. 19, 2014. Retrieved from, <URL: <http://www.etsy.com/listing/174048321/wine-glass-holder-that-will-slip-over-a?ref=market>>, 1 page.*
 3 holes, chamfer routing, sanding, [online], photo uploaded on Nov. 26, 2010, retrieved on Aug. 19, 2014. Retrieved from, <URL: [https://www.flickr.com/photos/13623225@N06/5210140394/in . . .](https://www.flickr.com/photos/13623225@N06/5210140394/in...)>, 1 page.*
 Author unknown; date unknown; Lumberjocks Woodworking Showcase; Wine Glass Holder for a Wine Bottle by Turning Art; <http://lumberjocks.com/projects/77668>.

* cited by examiner

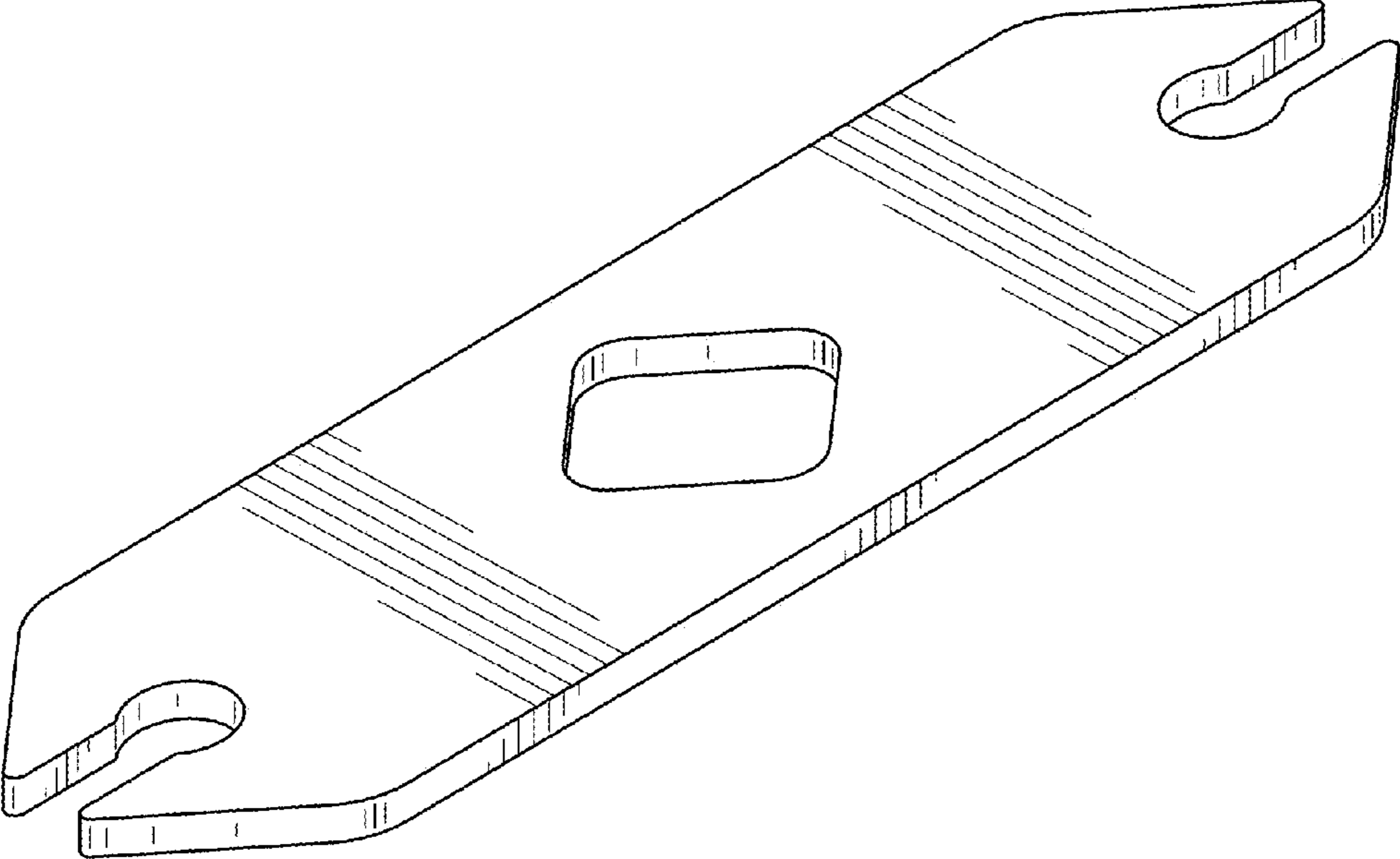


FIG. 1

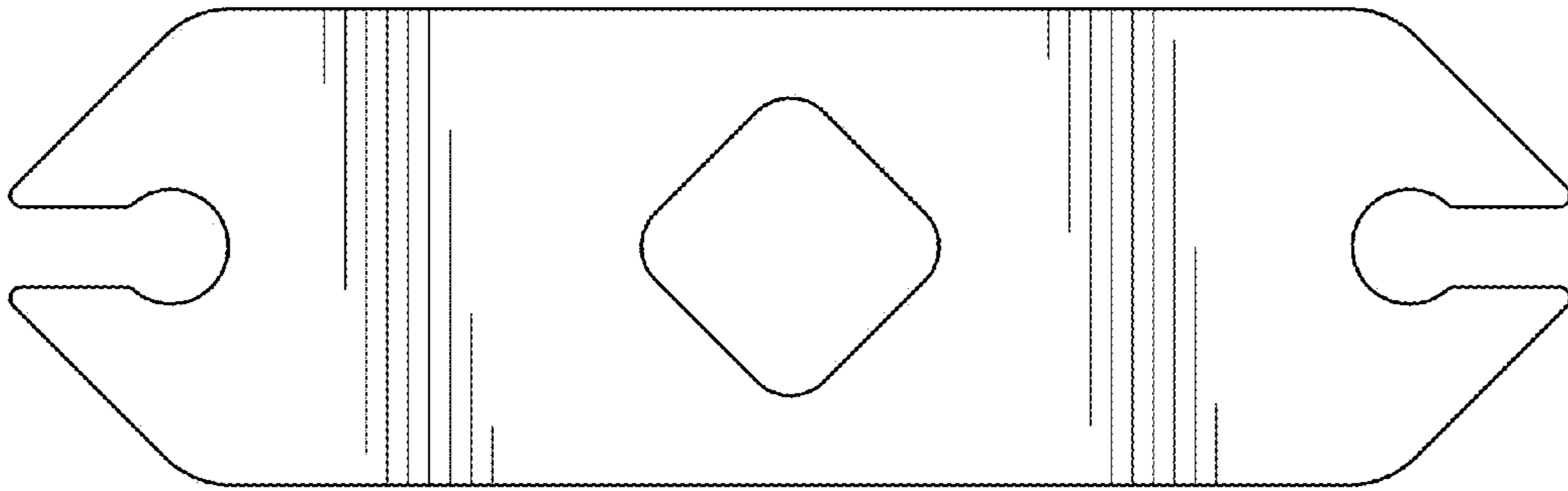


FIG. 2



FIG. 3



FIG. 4

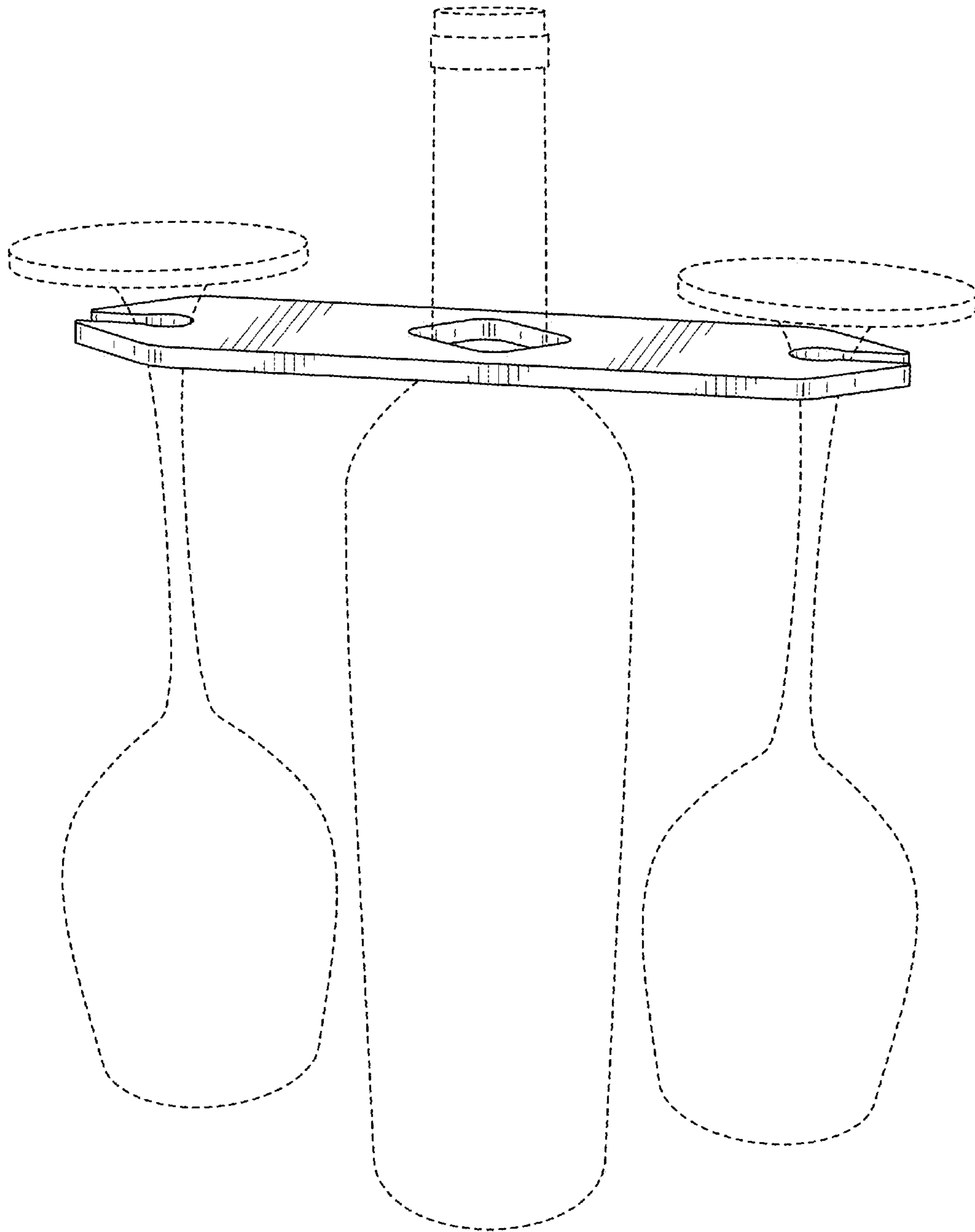


FIG. 5