

US00D717129S

(12) **United States Design Patent**
Cline et al.

(10) **Patent No.:** **US D717,129 S**
(45) **Date of Patent:** **** Nov. 11, 2014**

(54) **SKEWER**

(71) Applicants: **Carrie Cline**, Milford, CT (US);
Cynthia Mockler, North Haven, CT
(US); **Craig Bures**, Prospect, CT (US)

(72) Inventors: **Carrie Cline**, Milford, CT (US);
Cynthia Mockler, North Haven, CT
(US); **Craig Bures**, Prospect, CT (US)

(**) Term: **14 Years**

(21) Appl. No.: **29/461,421**

(22) Filed: **Jul. 23, 2013**

(51) **LOC (10) Cl.** **07-06**

(52) **U.S. Cl.**
USPC **D7/683**

(58) **Field of Classification Search**
CPC **A47J 37/00**
USPC **D7/642, 368, 669, 401.2, 412, 393, 395,**
D7/680-696; 30/164.8, 142, 164.5, 358,
30/322, 323; D8/14, 15; 294/61;
99/415-419, 426, 449, 441, 421 R, 425,
99/421 V, 421 A; D28/65

See application file for complete search history.

(56) **References Cited**

U.S. PATENT DOCUMENTS

2,462,991 A * 3/1949 Palinkas 294/61
D331,525 S * 12/1992 Anderson D7/683

D367,512 S * 2/1996 Whelan, Jr. D7/300.2
5,906,052 A * 5/1999 Harmon 30/322
D513,573 S * 1/2006 Settele D7/683
D592,916 S * 5/2009 Mazzetta et al. D7/683

* cited by examiner

Primary Examiner — Terry Wallace

(57) **CLAIM**

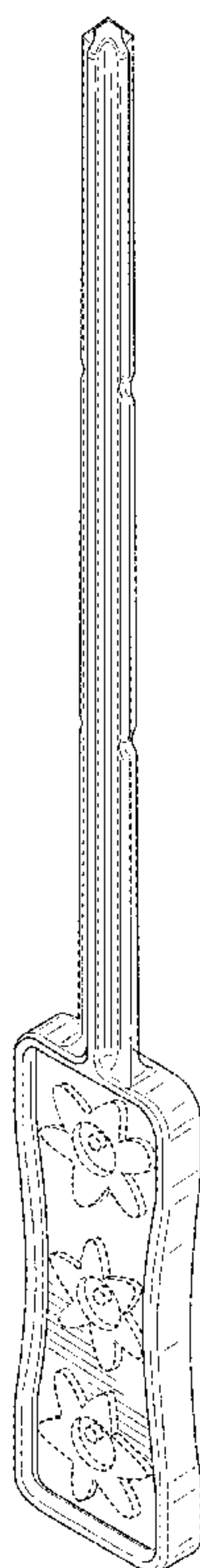
The ornamental design for a skewer, as shown and described.

DESCRIPTION

FIG. 1 is a front perspective view of a skewer according to the present invention;
FIG. 2 is a rear view of a skewer according to the present invention;
FIG. 3 is a front view of a skewer according to the present invention;
FIG. 4 is a right view of a skewer according to the present invention;
FIG. 5 is a left view of a skewer according to the present invention;
FIG. 6 is a top view of a skewer according to the present invention; and,
FIG. 7 is a bottom view of a skewer according to the present invention.

The subject matter shown in broken lines forms no part of the claimed design.

1 Claim, 4 Drawing Sheets



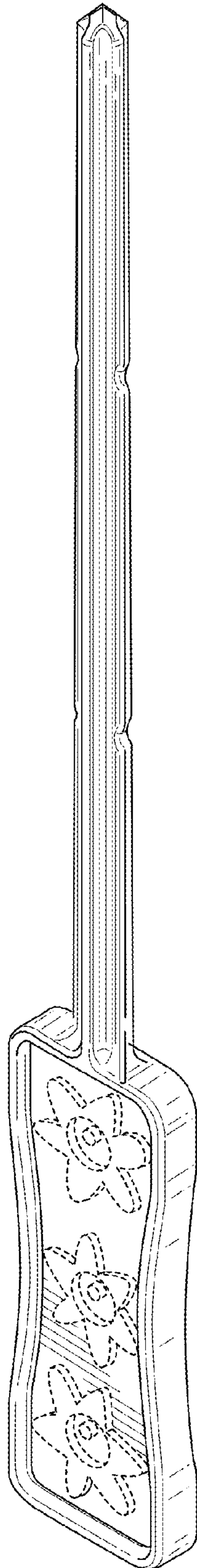


FIG. 1

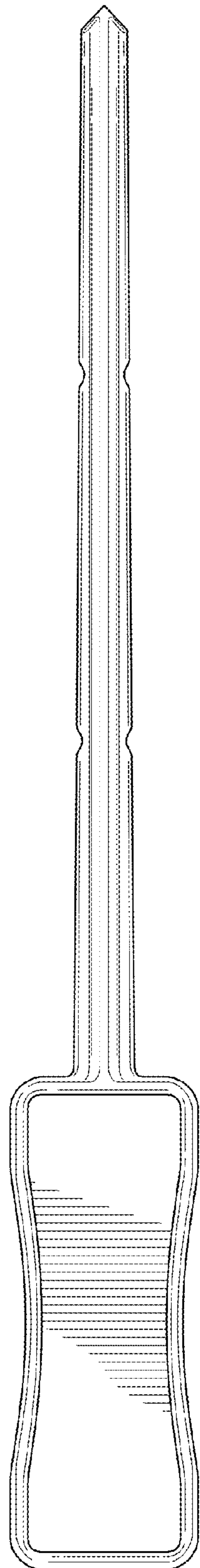


FIG. 2

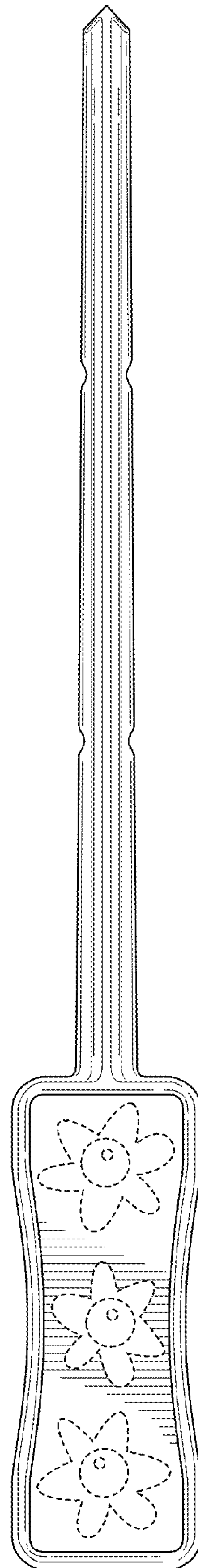


FIG. 3



FIG. 4

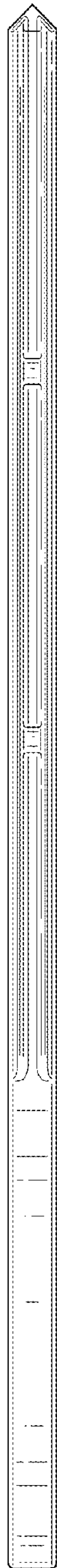


FIG. 5



FIG. 6



FIG. 7