



US00D717128S

(12) **United States Design Patent**
Gorowski

(10) **Patent No.:** **US D717,128 S**

(45) **Date of Patent:** **** Nov. 11, 2014**

(54) **MEAT TENDERIZING MALLET**

(71) Applicant: **Wiktor Gorowski**, Koszyce Wielkie (PL)

(72) Inventor: **Wiktor Gorowski**, Koszyce Wielkie (PL)

(**) Term: **14 Years**

(21) Appl. No.: **29/468,943**

(22) Filed: **Oct. 4, 2013**

(30) **Foreign Application Priority Data**

Jul. 5, 2013 (PL) P.404580

(51) **LOC (10) Cl.** **07-04**

(52) **U.S. Cl.**
USPC **D7/682**

(58) **Field of Classification Search**
CPC A22C 9/007
USPC D7/680-696, 393, 395, 669, 368;
7/110, 113, 109; 452/102, 141,
452/145-147; 30/304, 114, 293, 298.4,
30/142, 286; 241/168, 169, 169.1, 285.1

See application file for complete search history.

(56) **References Cited**

U.S. PATENT DOCUMENTS

1,996,949	A *	4/1935	Bosworth et al.	452/146
D117,967	S *	12/1939	Beltram	D7/682
2,445,872	A *	7/1948	Burkett	452/146
3,045,348	A *	7/1962	Dungan	30/304
4,257,144	A *	3/1981	Takegoshi et al.	452/146
D291,762	S *	9/1987	Collins, Sr.	D7/682
7,862,408	B1 *	1/2011	Weinstein	452/146
2005/0239388	A1 *	10/2005	Gorowski	452/141

* cited by examiner

Primary Examiner — Terry Wallace

(74) *Attorney, Agent, or Firm* — Dilworth & Barrese, LLP.; Michael J. Musella

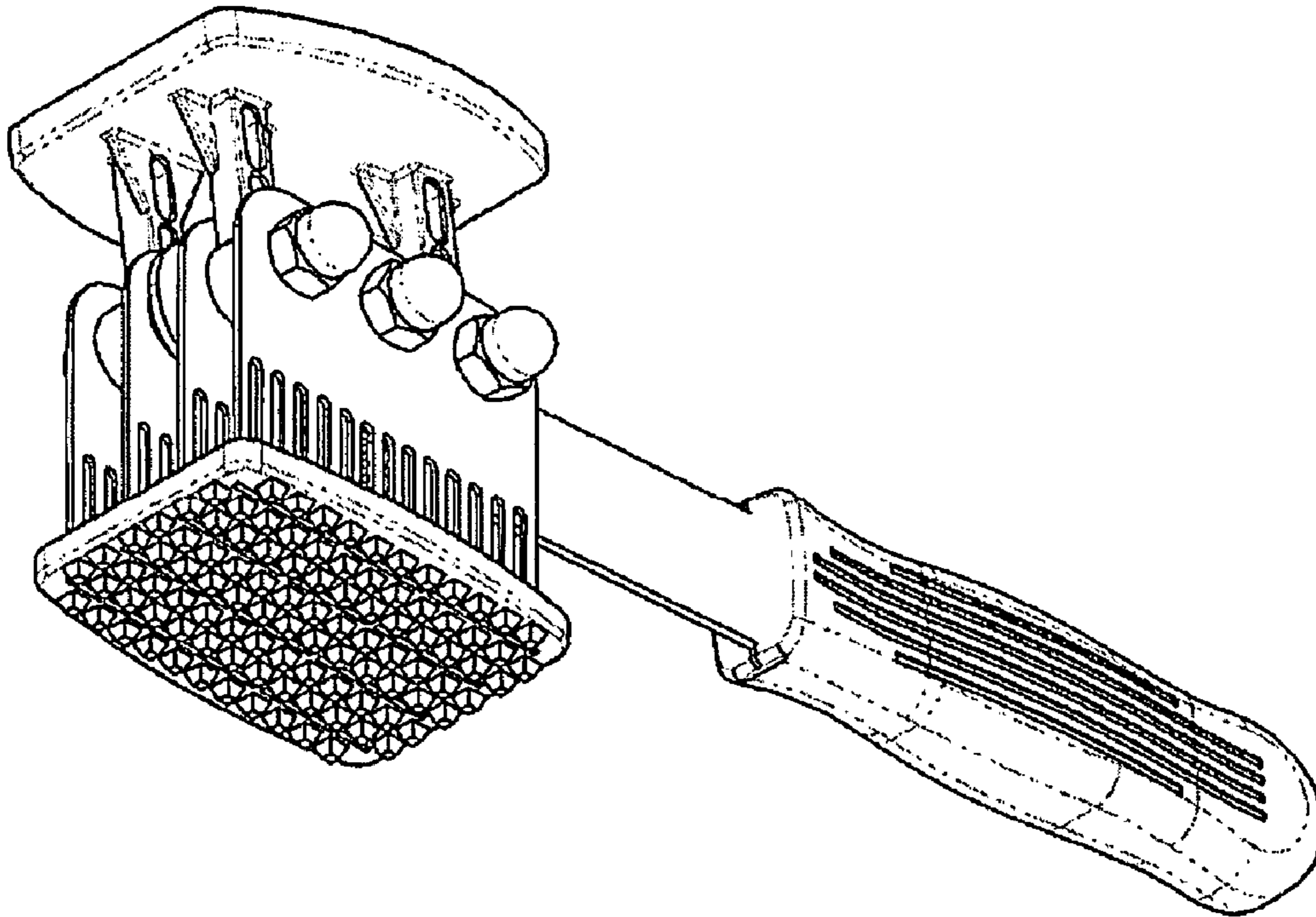
(57) **CLAIM**

The ornamental design for a meat tenderizing mallet, as shown and described herein.

DESCRIPTION

FIG. 1 is a left side view of a mallet, showing my new design; FIG. 2 is a bottom view of the mallet; FIG. 3 is a top view of the mallet; FIG. 4 is a bottom perspective view of the mallet; and, FIG. 5 is a top perspective view of the mallet.

1 Claim, 2 Drawing Sheets



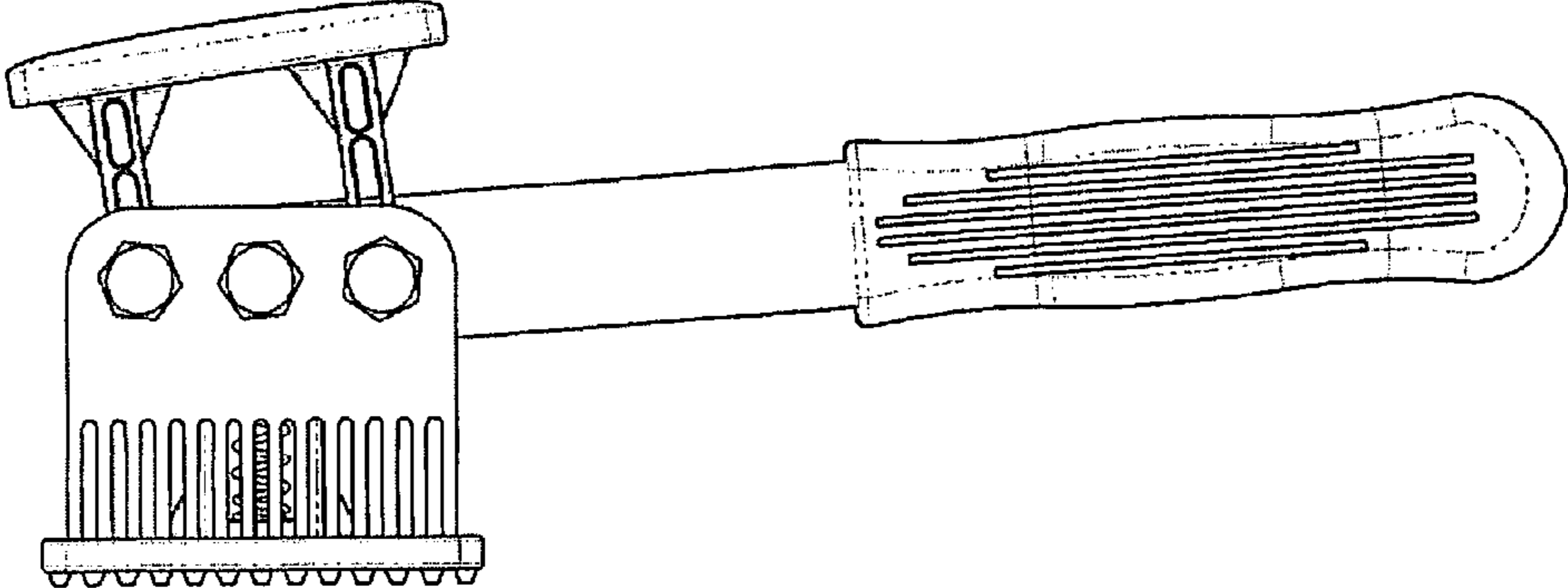


FIG. 1

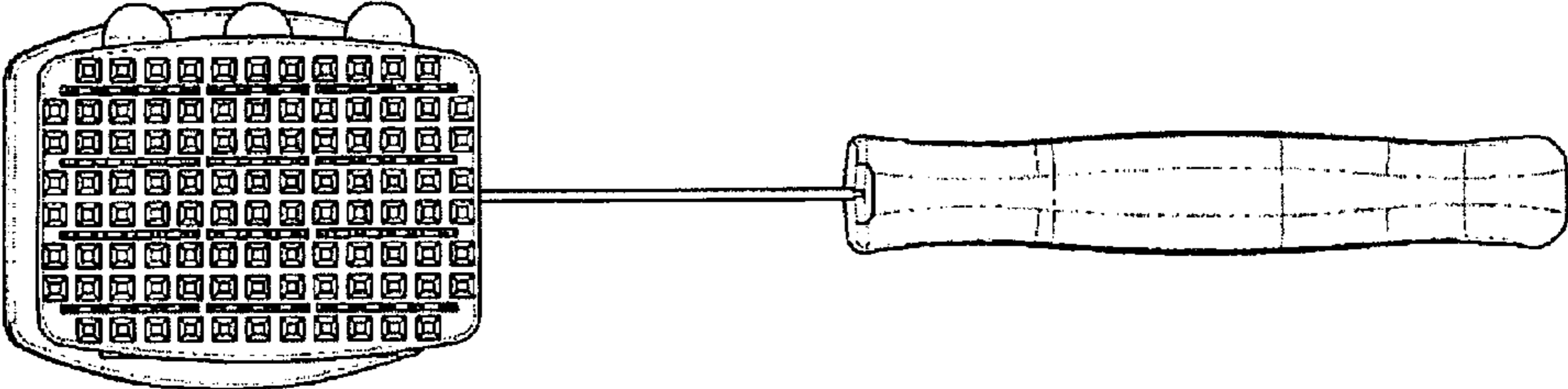


FIG. 2

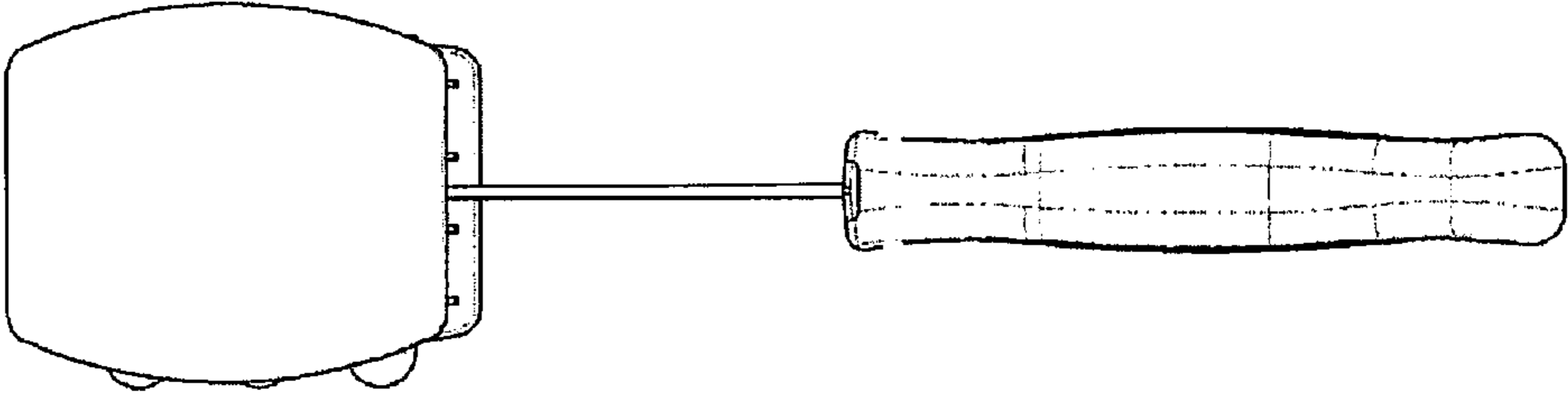


FIG 3

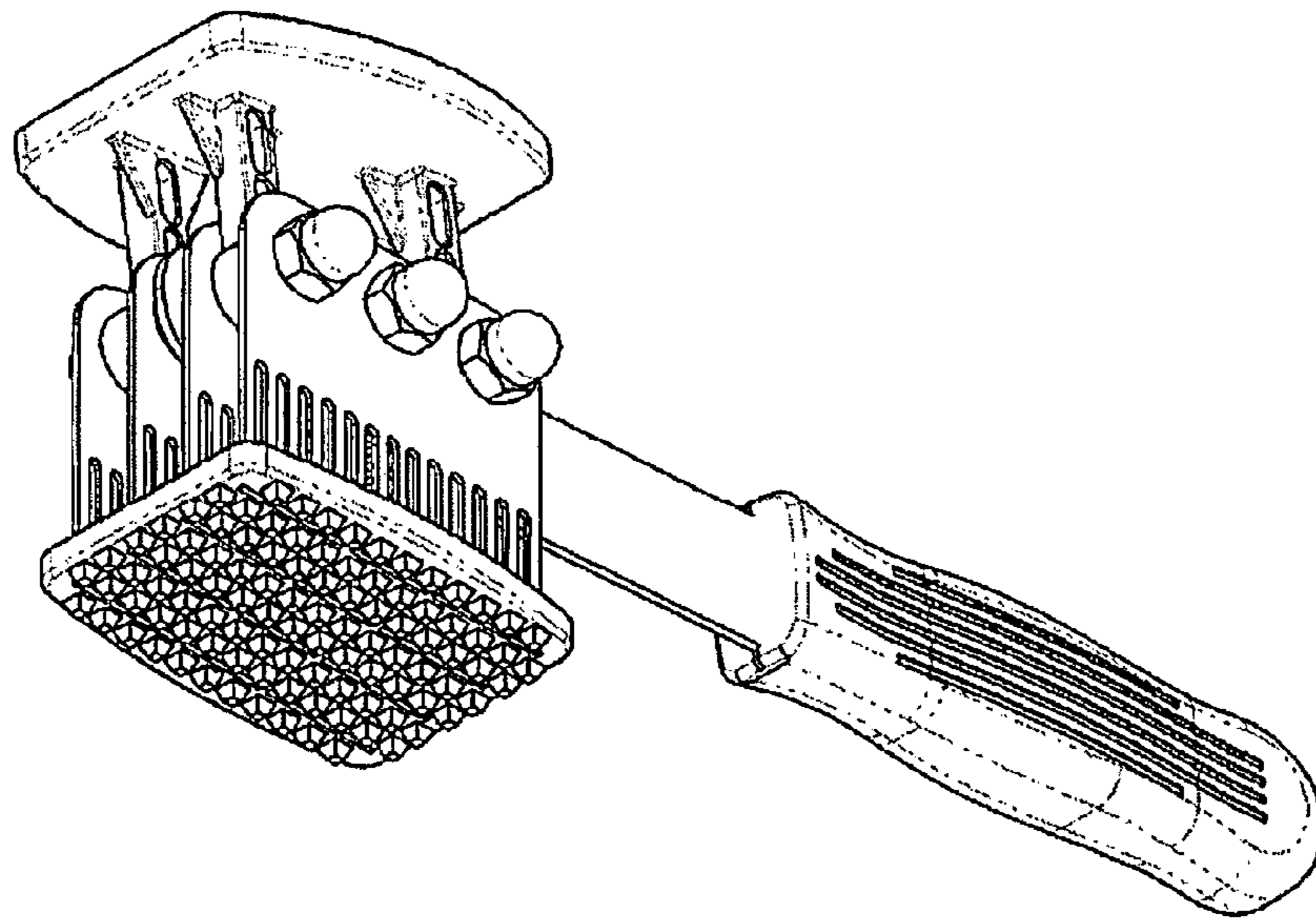


FIG. 4

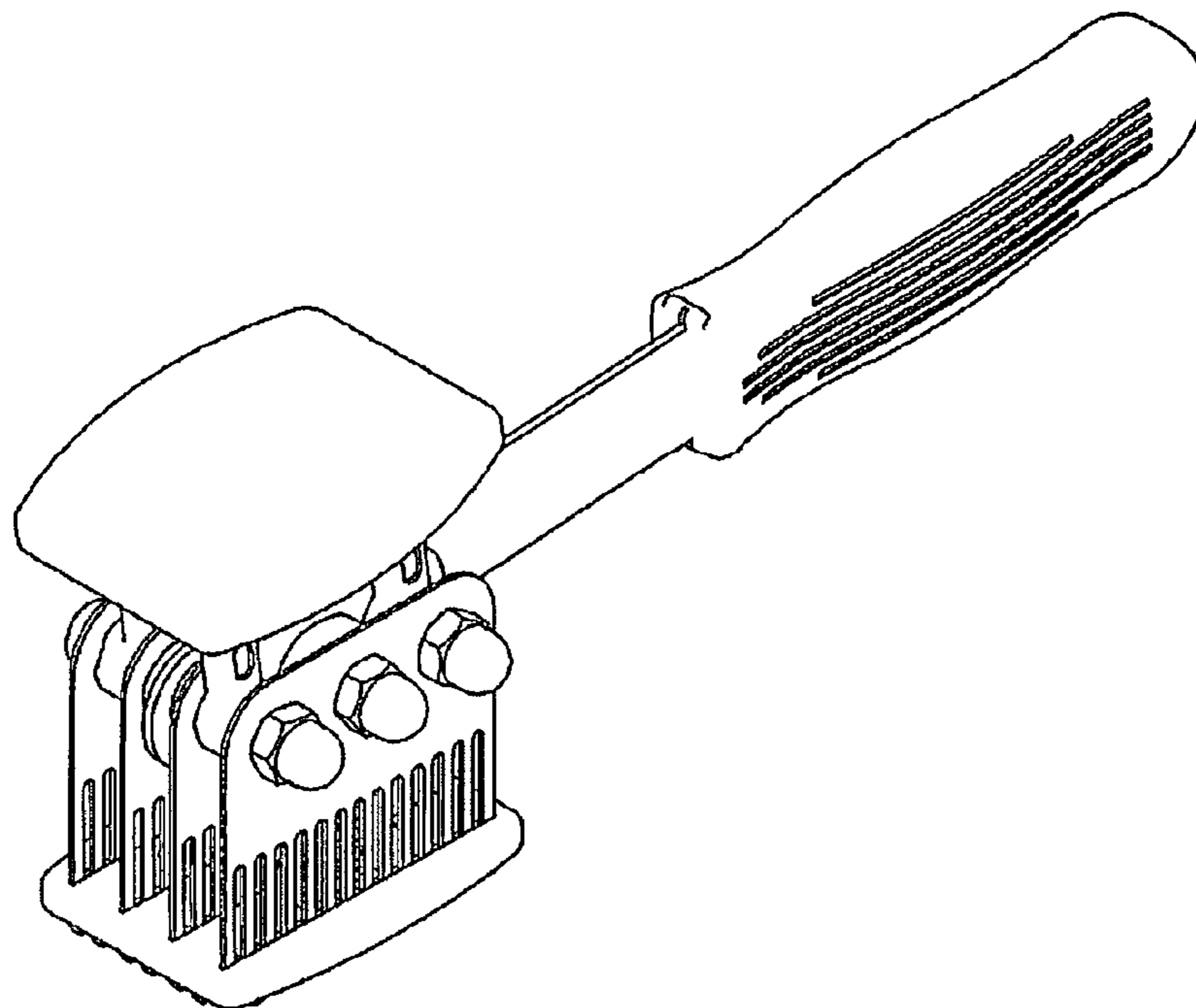


FIG. 5