



US00D717126S

(12) **United States Design Patent**  
**Tuttle**

(10) **Patent No.:** **US D717,126 S**  
(45) **Date of Patent:** **\*\* Nov. 11, 2014**

(54) **NAPKIN HOLDER**

(71) Applicant: **Billy W. Tuttle**, Burlington, KY (US)

(72) Inventor: **Billy W. Tuttle**, Burlington, KY (US)

(\*\*) Term: **14 Years**

(21) Appl. No.: **29/460,465**

(22) Filed: **Jul. 11, 2013**

(51) **LOC (10) Cl.** ..... **07-06**

(52) **U.S. Cl.**  
USPC ..... **D7/631**

(58) **Field of Classification Search**  
CPC ..... A47G 21/16; A47K 10/423; A47K 10/42;  
A47K 10/421  
USPC ..... D7/631-634; D6/512, 515, 518;  
242/422.5, 597.7; 248/127; 211/87.01,  
211/86.01, 85.31, 13.1, 41.1-41.4, 11, 50,  
211/126.9, 133.5; 221/30-60, 208, 227,  
221/279, 282, 284, 14, 92, 649, 146.1

See application file for complete search history.

(56) **References Cited**

**U.S. PATENT DOCUMENTS**

1,242,927	A	10/1917	Du Brul	
1,518,749	A	12/1924	Nelson	
3,048,348	A	8/1962	Griffin	
3,878,966	A *	4/1975	Haboush	221/33
D369,528	S *	5/1996	Brooks	D7/631
5,788,136	A	8/1998	Othman	
D495,214	S *	8/2004	Joseph	D7/631
6,776,368	B1	8/2004	Duncan et al.	
6,832,739	B1	12/2004	Kraus	
D518,686	S *	4/2006	Johnson	D7/631

7,048,225	B2	5/2006	Delfino	
D548,539	S *	8/2007	Yang et al.	D7/631
7,264,197	B2	9/2007	Yu	
7,559,504	B2	7/2009	Yang et al.	
D622,110	S *	8/2010	Yang et al.	D7/631
8,602,345	B2	12/2013	Tuttle	
2002/0130211	A1	9/2002	Kerr	
2007/0158489	A1	7/2007	Anderson	

**OTHER PUBLICATIONS**

Commercial Paper Towel Dispenser (photo by Applicant), purchased by Applicant Jul. 2012 (1 page/photo).

\* cited by examiner

*Primary Examiner* — Terry Wallace

(74) *Attorney, Agent, or Firm* — Hasse & Nesbitt LLC; Daniel F. Nesbitt

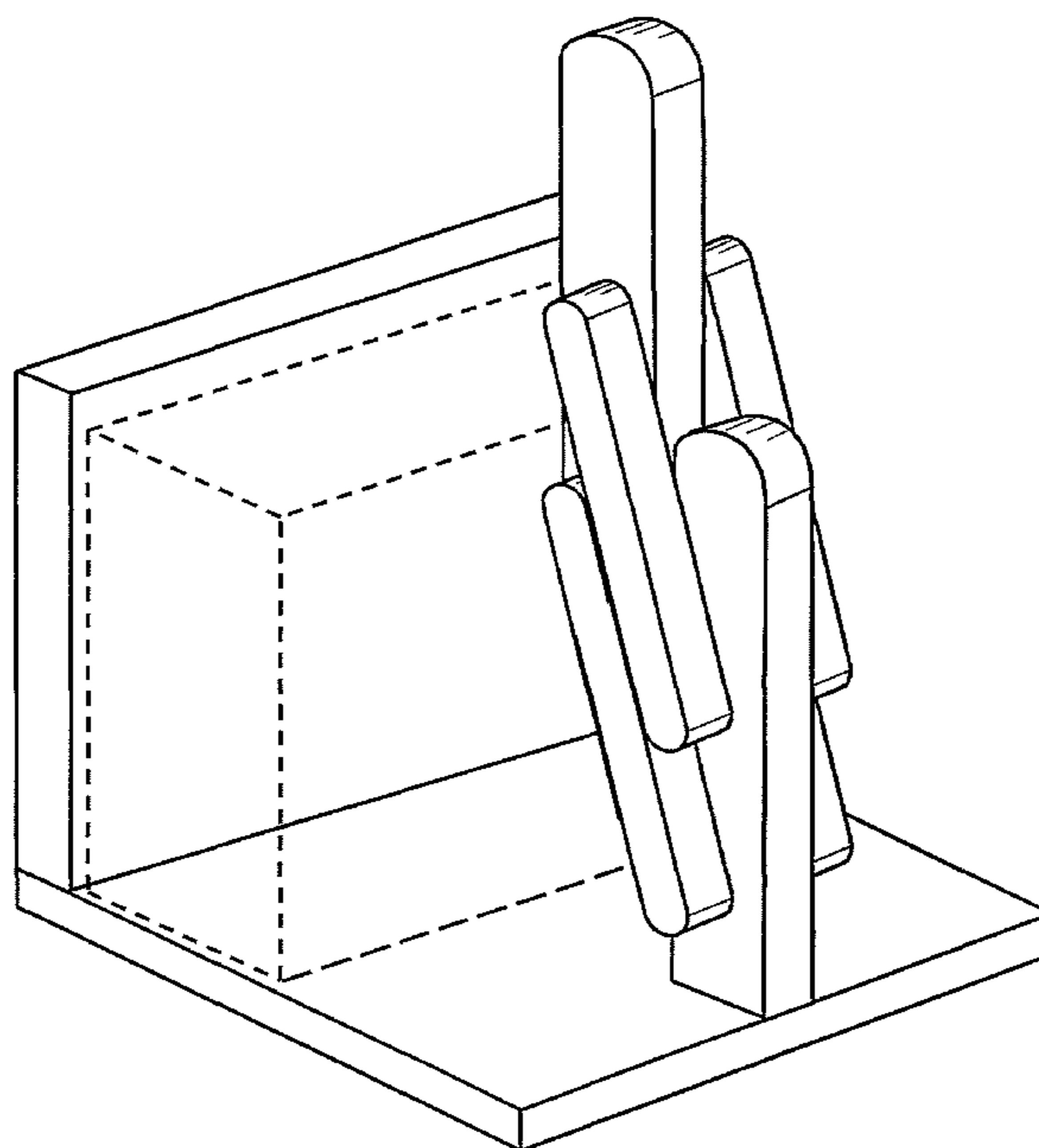
(57) **CLAIM**

I claim the ornamental design for a napkin holder, as shown and described.

**DESCRIPTION**

FIG. 1 is a perspective view of a napkin holder.  
FIG. 2 is a left side view of the napkin holder, with the right side view being a mirror image thereof.  
FIG. 3 is a front view of the napkin holder.  
FIG. 4 is a rear view of the napkin holder.  
FIG. 5 is a top view of the napkin holder; and,  
FIG. 6 is a bottom view of the napkin holder.  
The broken lines shown in the drawings show environment only and form no part of the claimed design.

**1 Claim, 3 Drawing Sheets**



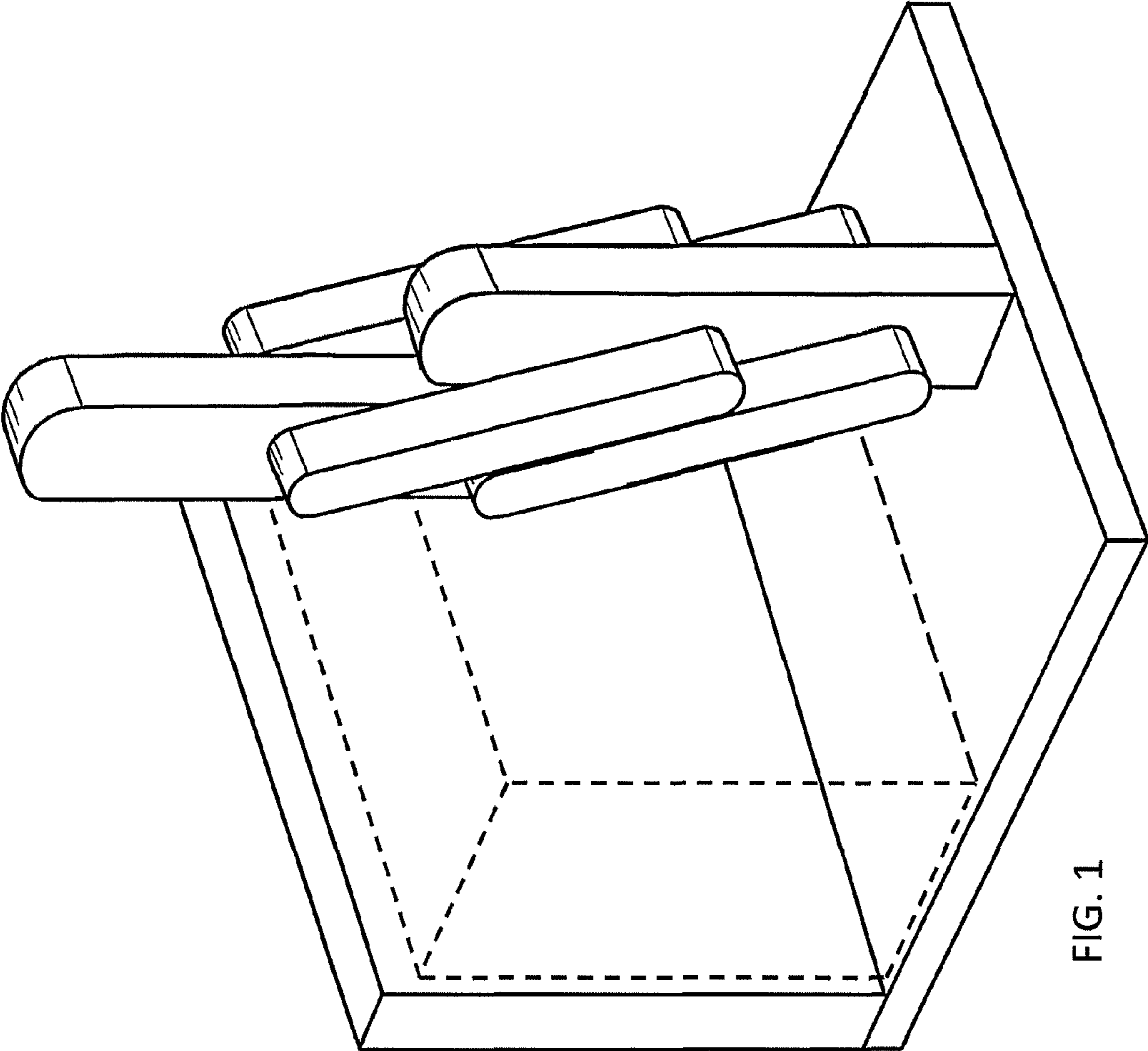


FIG. 1

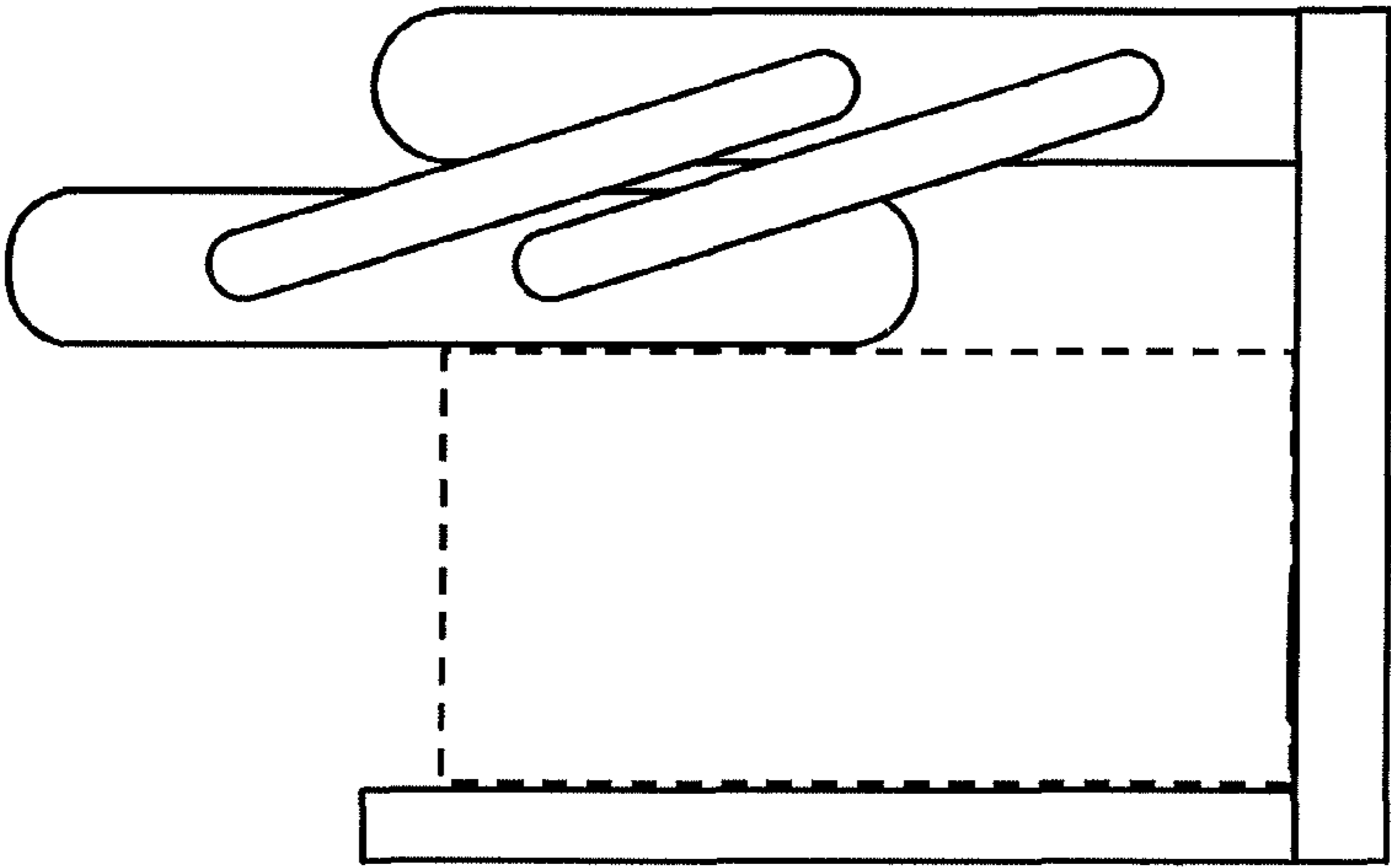


FIG. 2

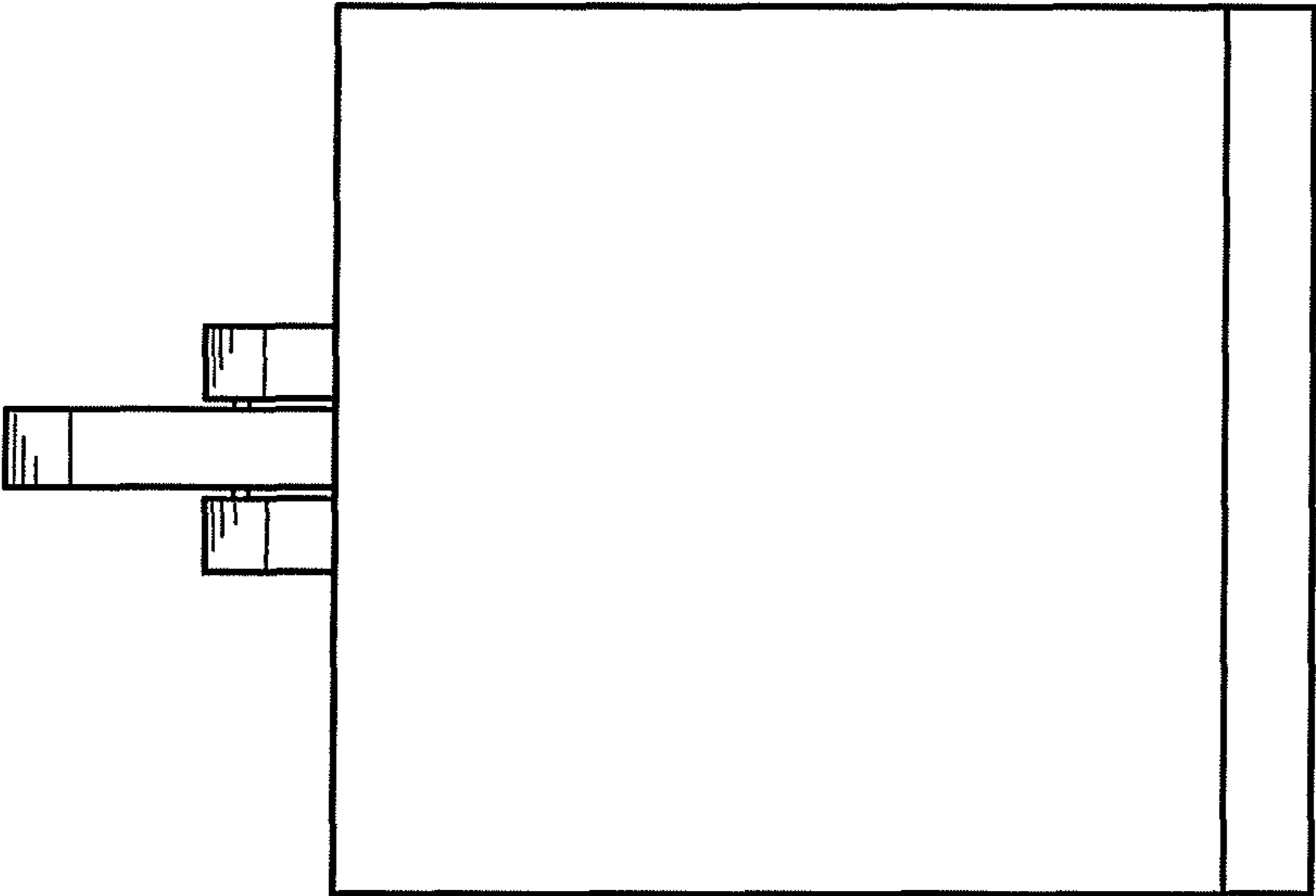


FIG. 4

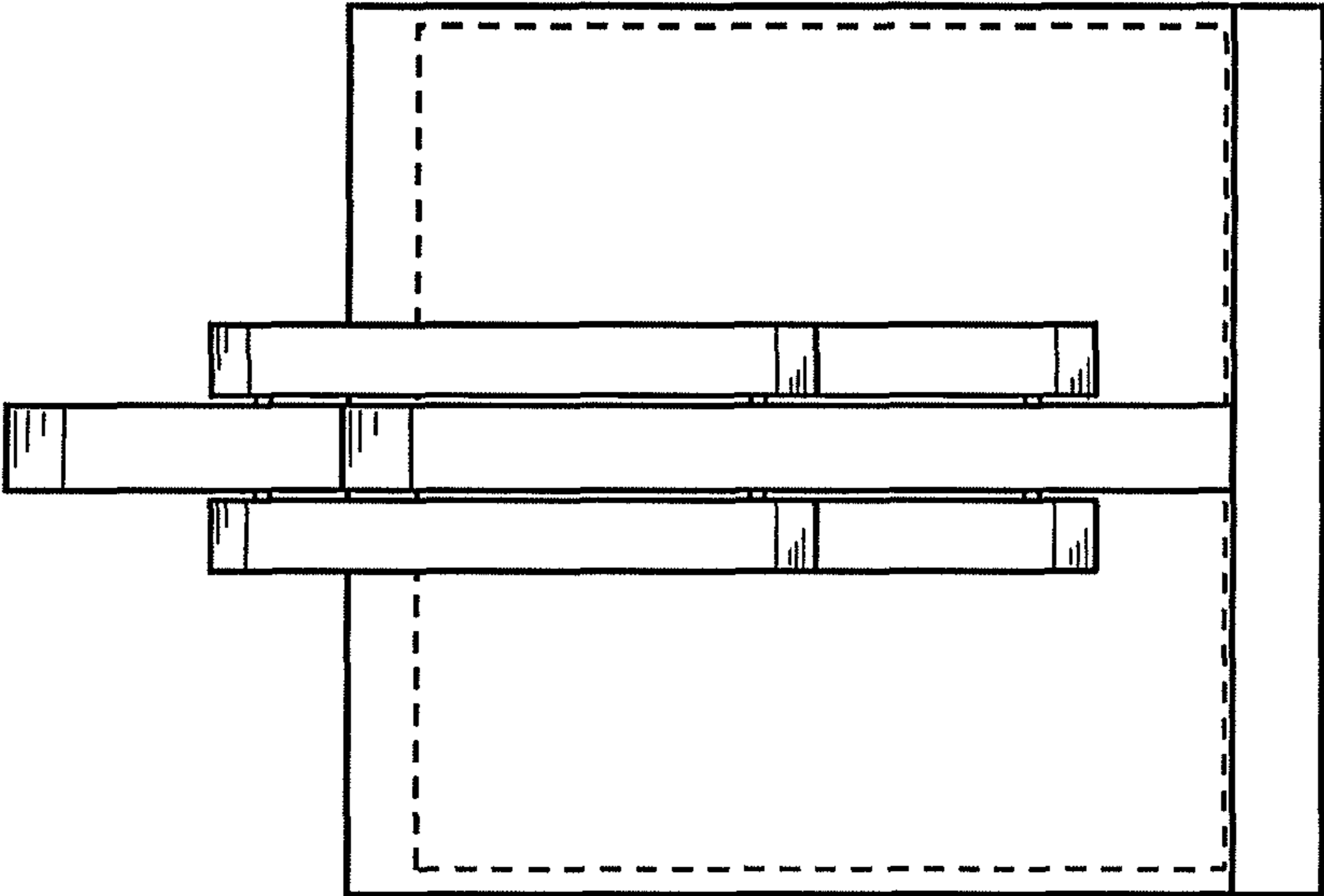


FIG. 3

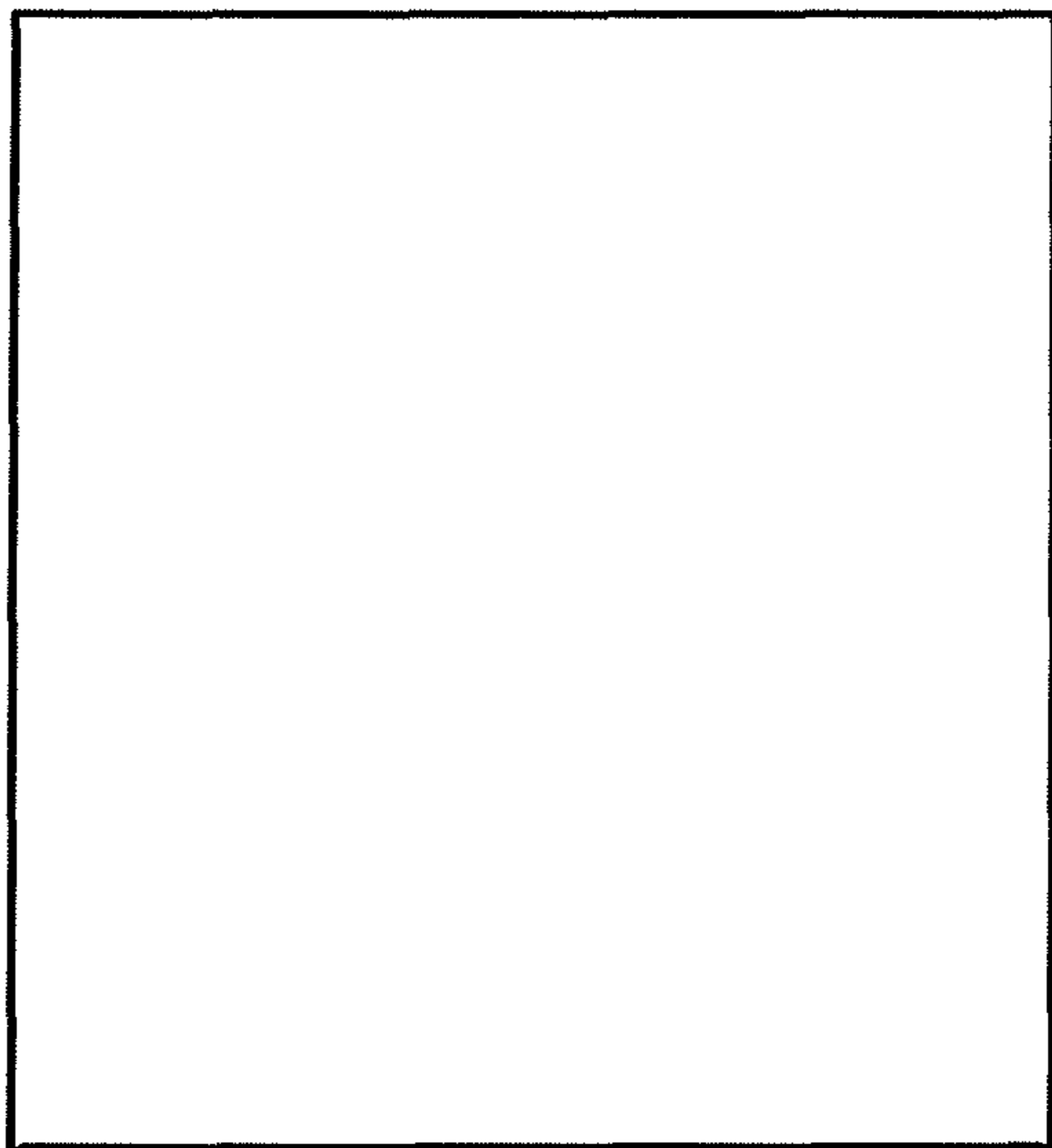


FIG 6

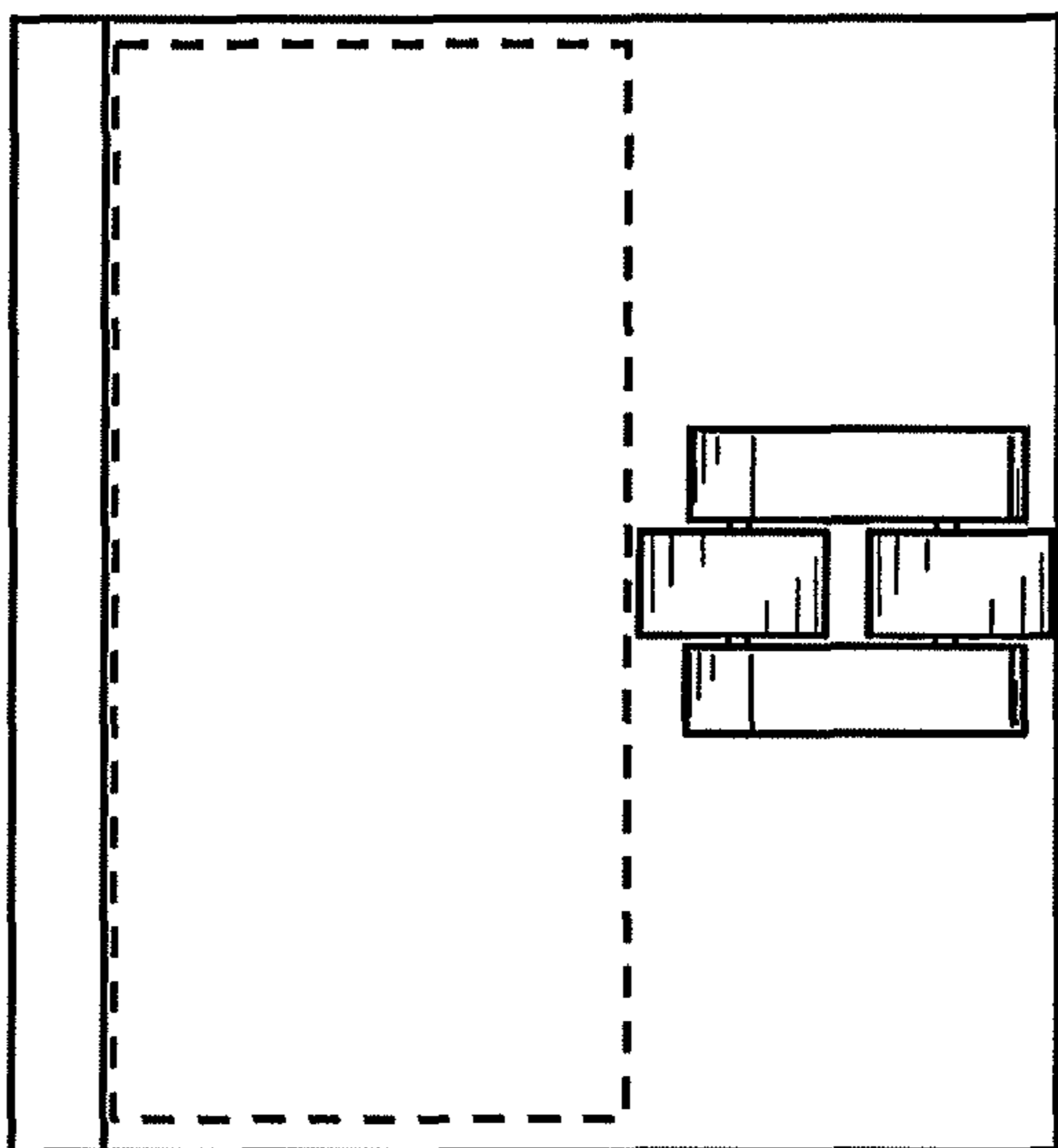


FIG 5