



US00D717125S

(12) **United States Design Patent**
Henderson et al.

(10) **Patent No.:** **US D717,125 S**

(45) **Date of Patent:** **** Nov. 11, 2014**

(54) **AUDIO SPEAKER-SHAPED COOLER**

D582,391 S * 12/2008 Morimoto D14/214
D641,213 S * 7/2011 Uffner et al. D7/605
D689,462 S * 9/2013 Quilter D14/197

(71) Applicants: **Neil Henderson**, Tempe, AZ (US);
Jason Henderson, Tempe, AZ (US)

* cited by examiner

(72) Inventors: **Neil Henderson**, Tempe, AZ (US);
Jason Henderson, Tempe, AZ (US)

Primary Examiner — Terry Wallace
(74) *Attorney, Agent, or Firm* — Mitchell Law PLLC;
Matthew W. Mitchell

(**) Term: **14 Years**

(57) **CLAIM**
The ornamental design for an audio speaker-shaped cooler, as shown and described.

(21) Appl. No.: **29/476,224**

(22) Filed: **Dec. 12, 2013**

DESCRIPTION

(51) **LOC (10) Cl.** **07-01**

(52) **U.S. Cl.**
USPC **D7/606; D7/628**

(58) **Field of Classification Search**
CPC F25D 3/082; F25D 23/12
USPC D7/628, 629; D14/196, 214, 197;
206/457; D9/665, 600; 220/592.01,
220/592.03, 592.2, 592.08, 592.16–592.27,
220/915.1, 915.2; 62/457.1–457.9, 371,
62/372

See application file for complete search history.

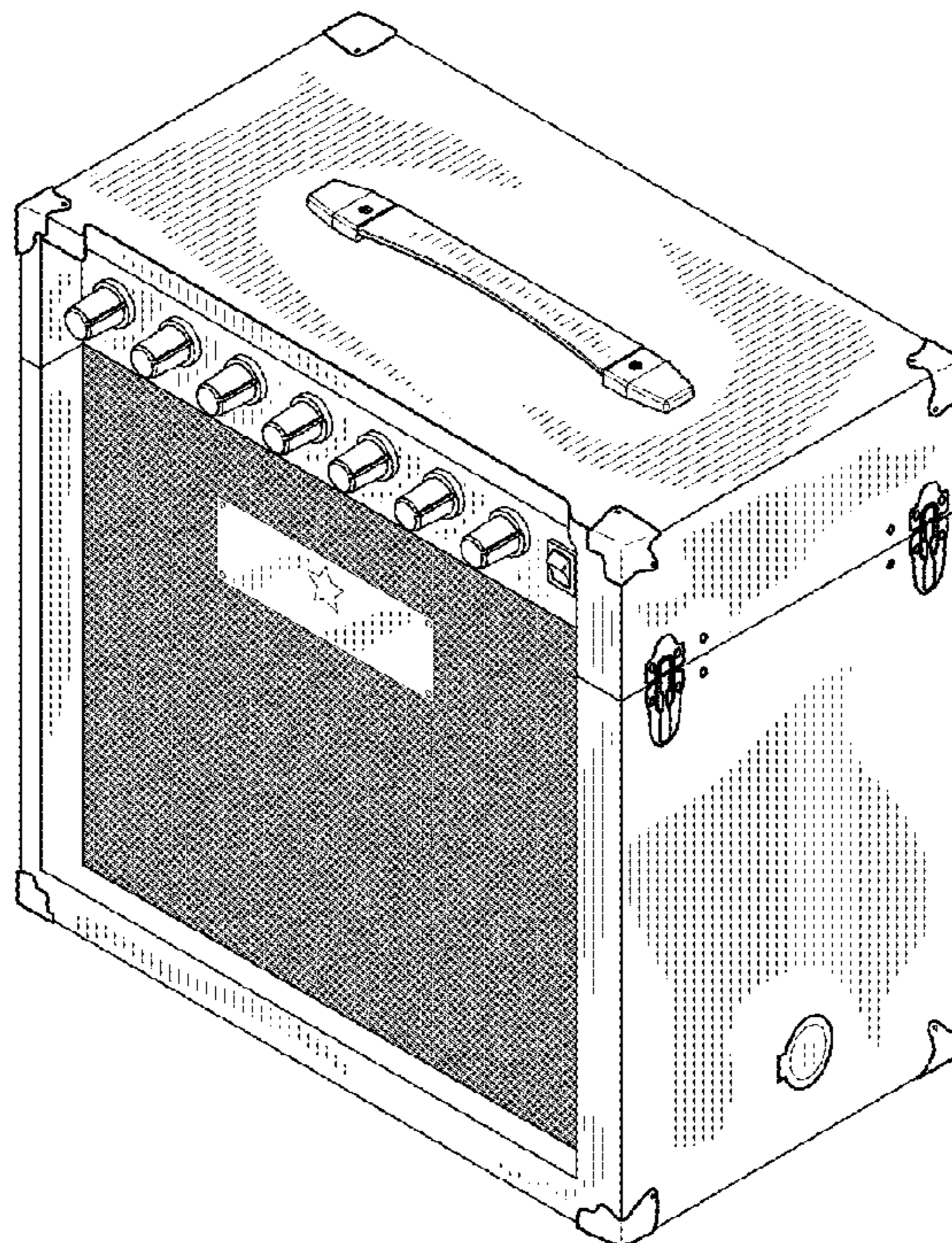
FIG. 1 is a front perspective view of the audio speaker-shaped cooler of the present invention;
FIG. 2 is a front view of the audio speaker-shaped cooler of FIG. 1;
FIG. 3 is a back view of the audio speaker-shaped cooler of FIG. 1;
FIG. 4 is a side view of the audio speaker-shaped cooler of FIG. 1, as seen from the left side of FIG. 2;
FIG. 5 is a side view of the audio speaker-shaped cooler of FIG. 1, as seen from the right side of FIG. 2;
FIG. 6 is a top plan view in elevation of the audio speaker-shaped cooler of FIG. 1;
FIG. 7 is a perspective view of the audio speaker-shaped cooler of FIG. 1 in an open position;
FIG. 8 is a front view of the audio speaker-shaped cooler of FIG. 1 in an open position; and,
FIG. 9 is a side view of the audio speaker-shaped cooler of FIG. 1, as seen from the right side of FIG. 8 in an open position.

(56) **References Cited**

U.S. PATENT DOCUMENTS

D315,736 S * 3/1991 Takagi D14/194
D360,636 S * 7/1995 Sasago et al. D14/214
D414,771 S * 10/1999 Hoyt et al. D14/214
D432,788 S * 10/2000 Payne D3/276
6,305,185 B1 * 10/2001 Sloan 62/457.7
D495,012 S * 8/2004 Morimoto D14/188

1 Claim, 5 Drawing Sheets



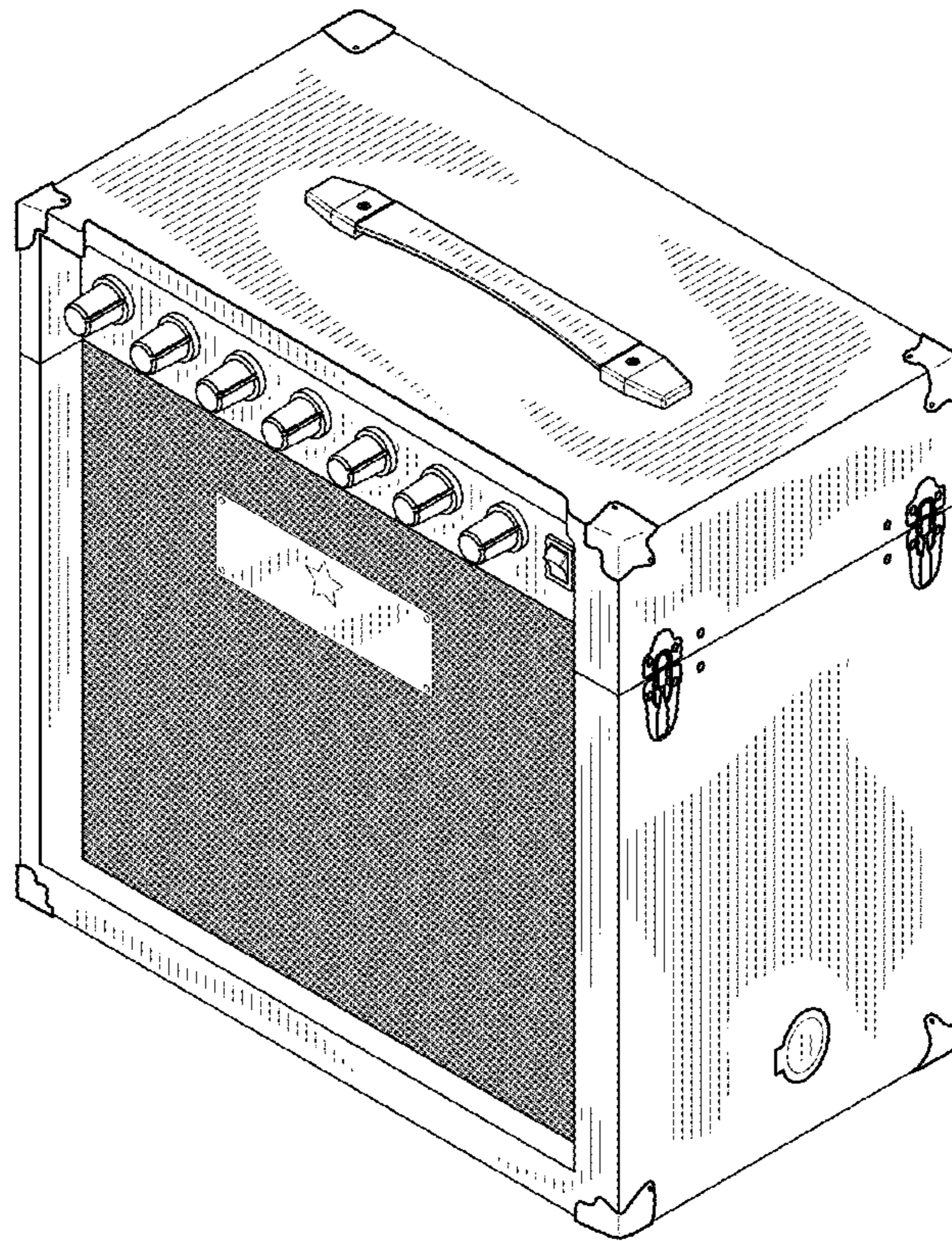


FIG. 1

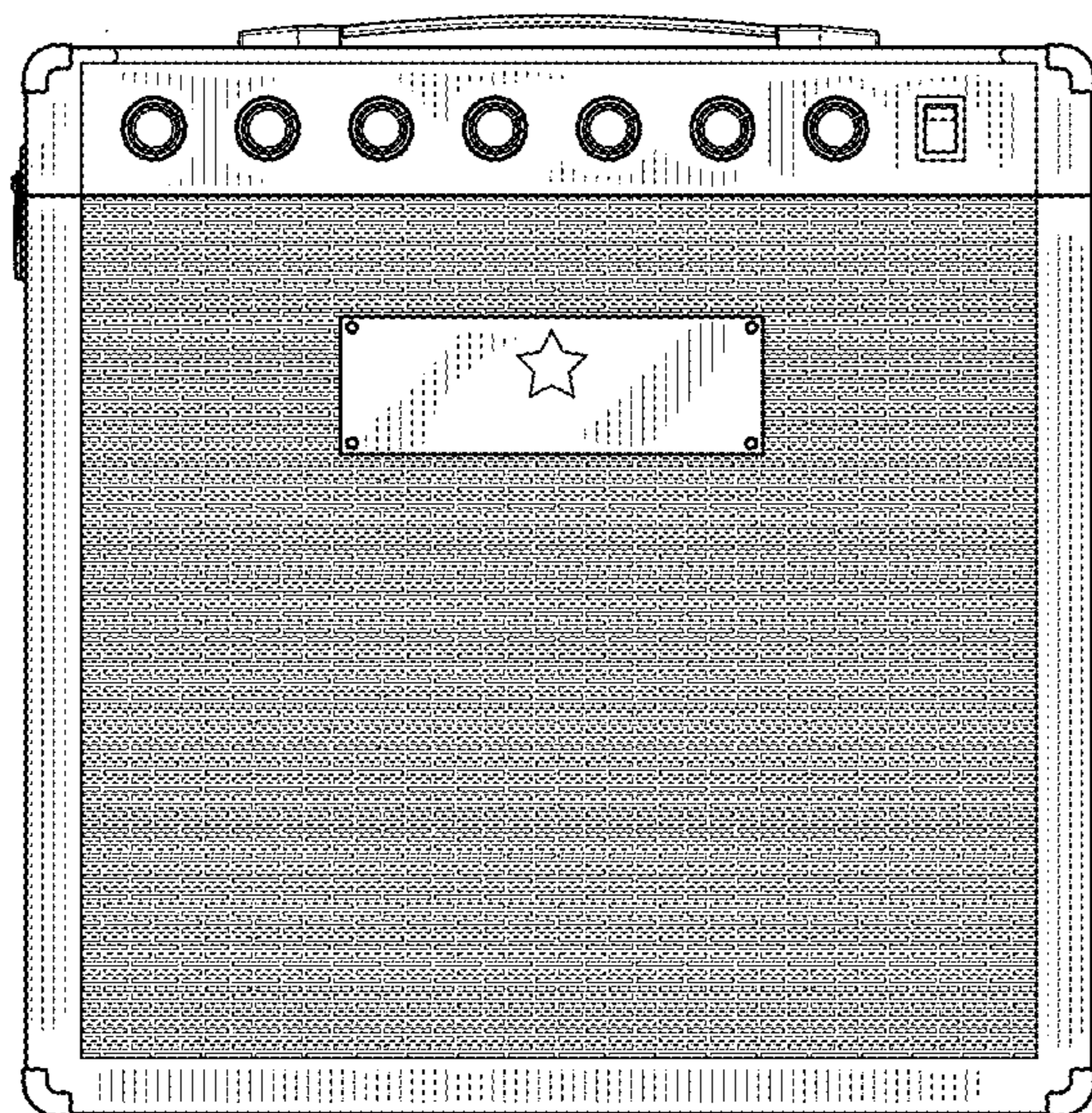


FIG. 2

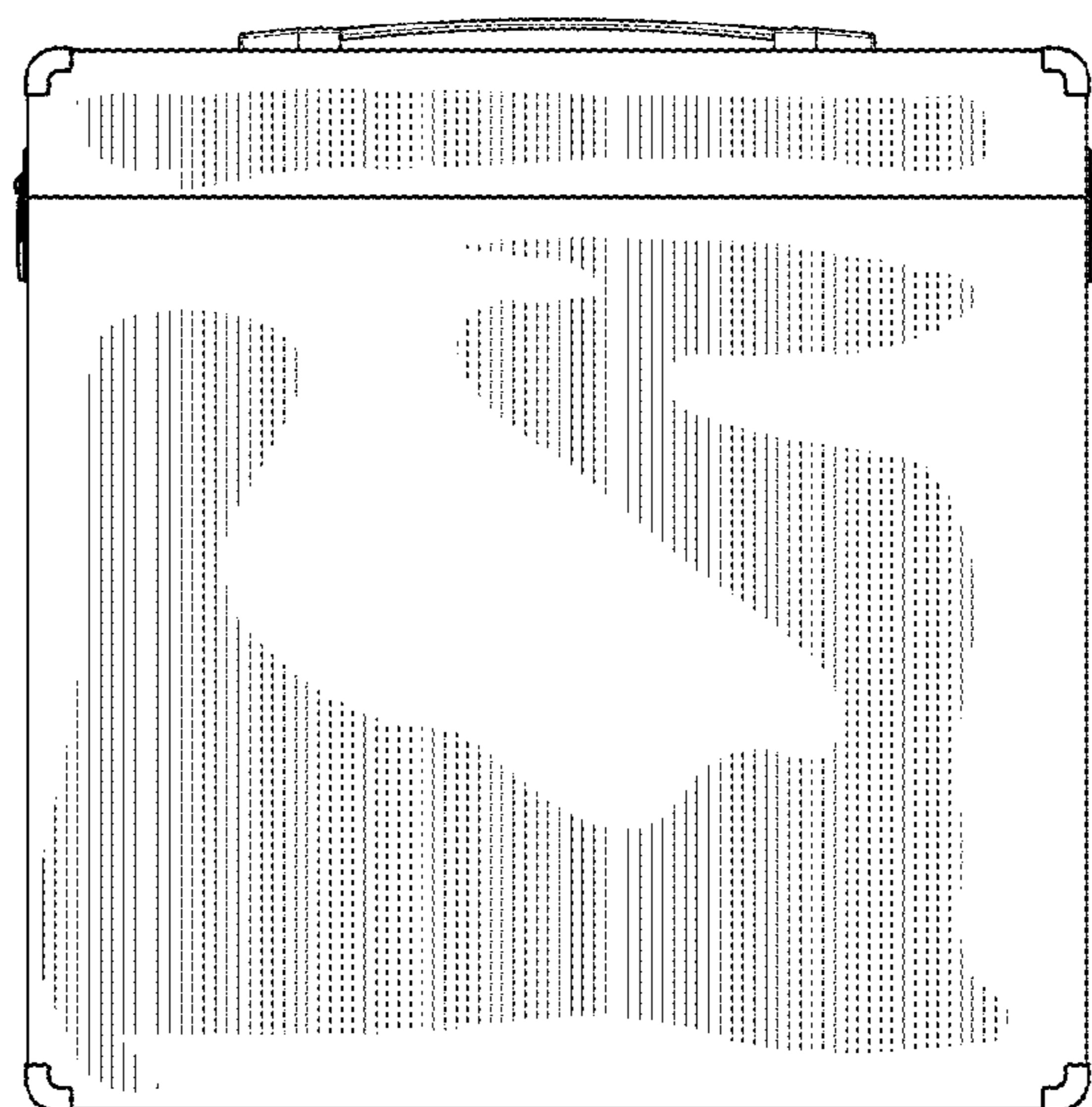


FIG. 3

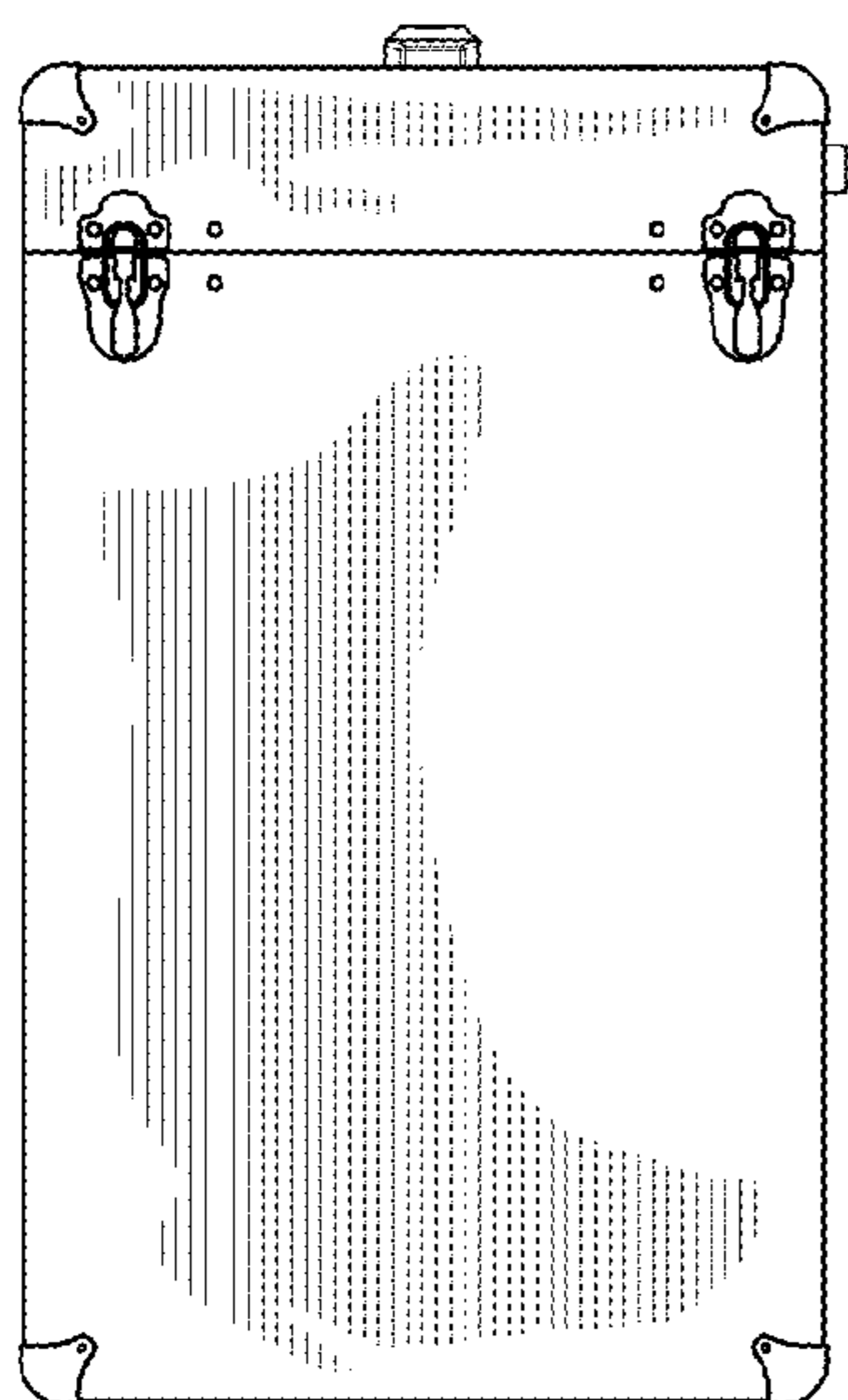


FIG. 4

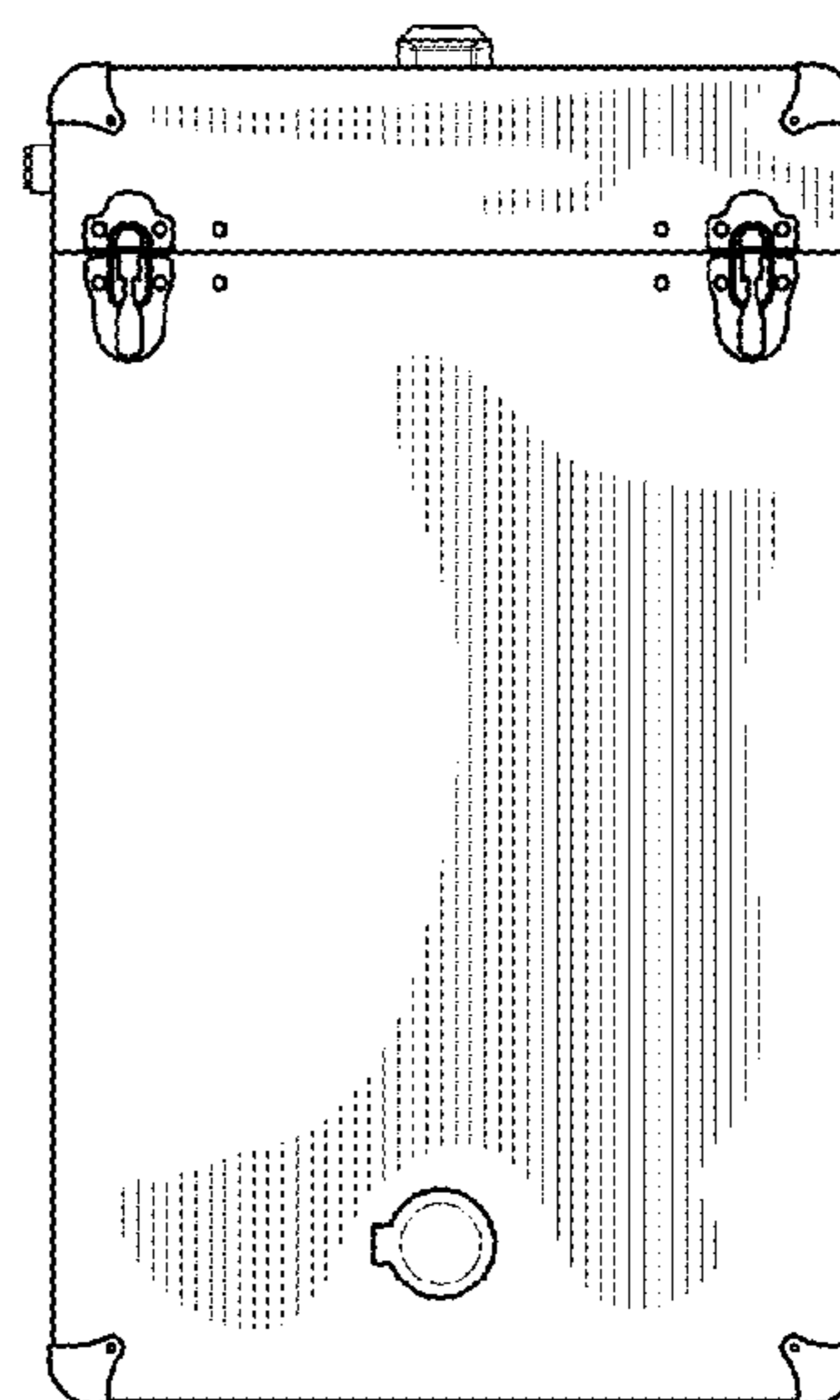


FIG. 5

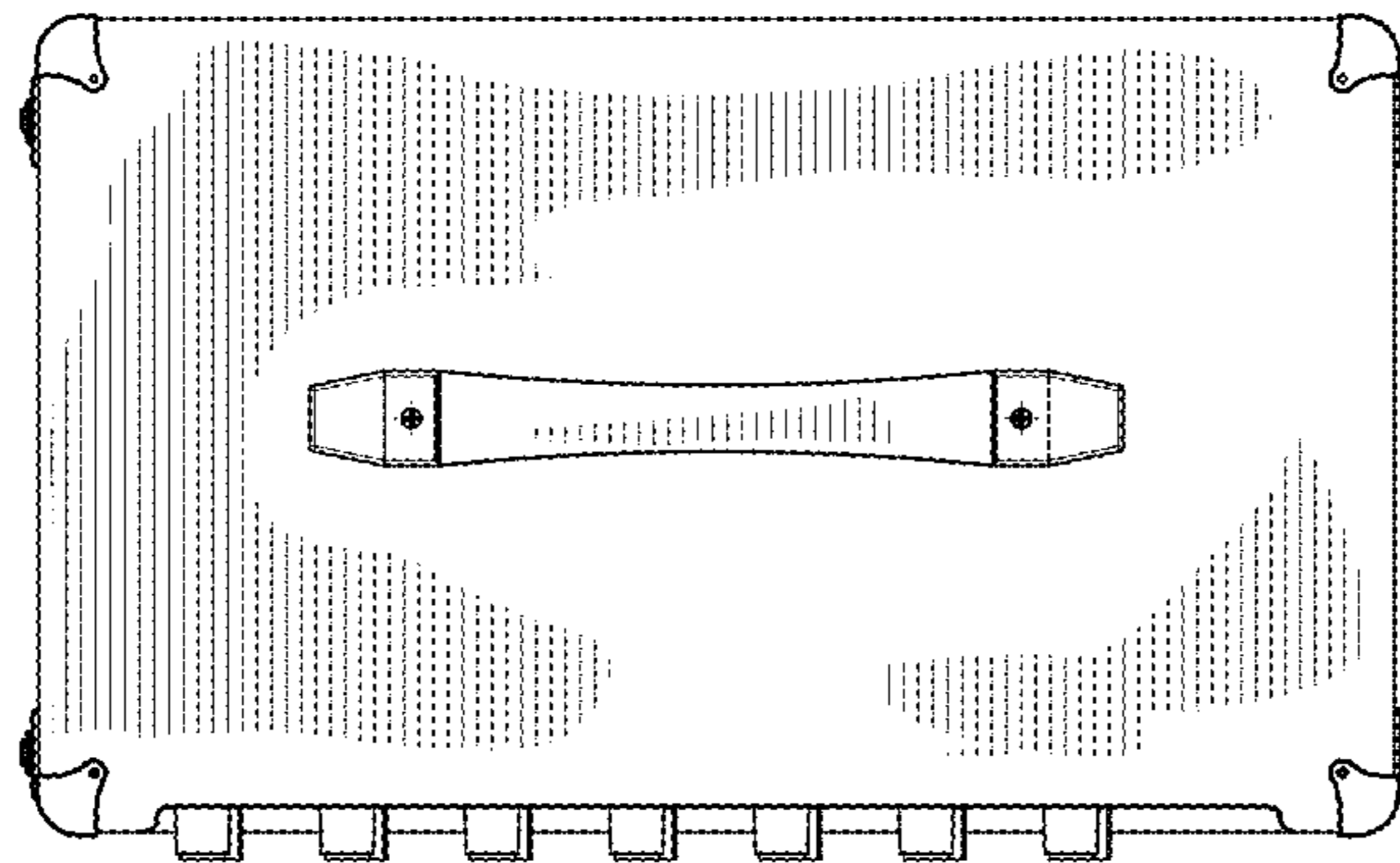


FIG. 6

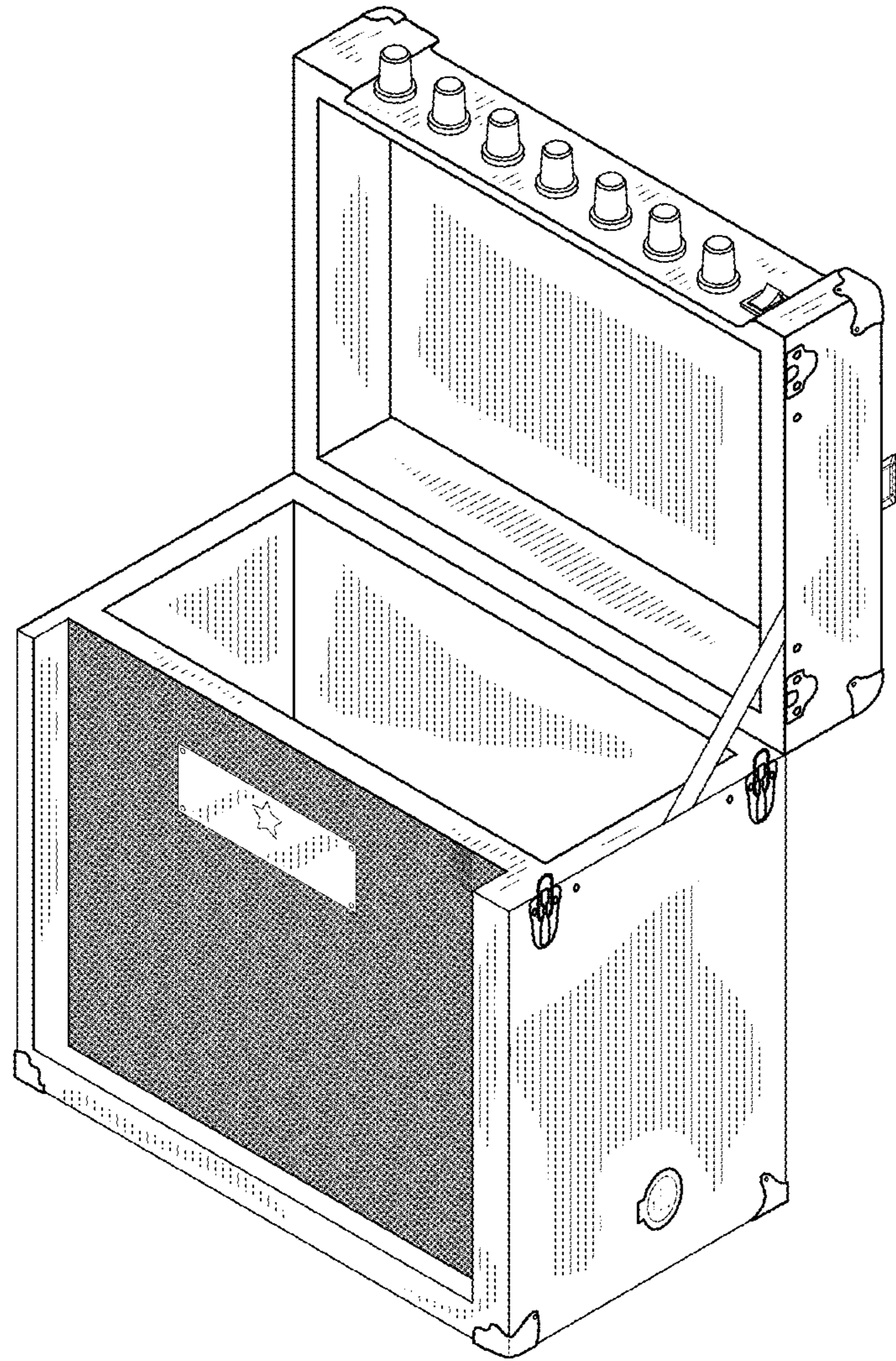


FIG. 7

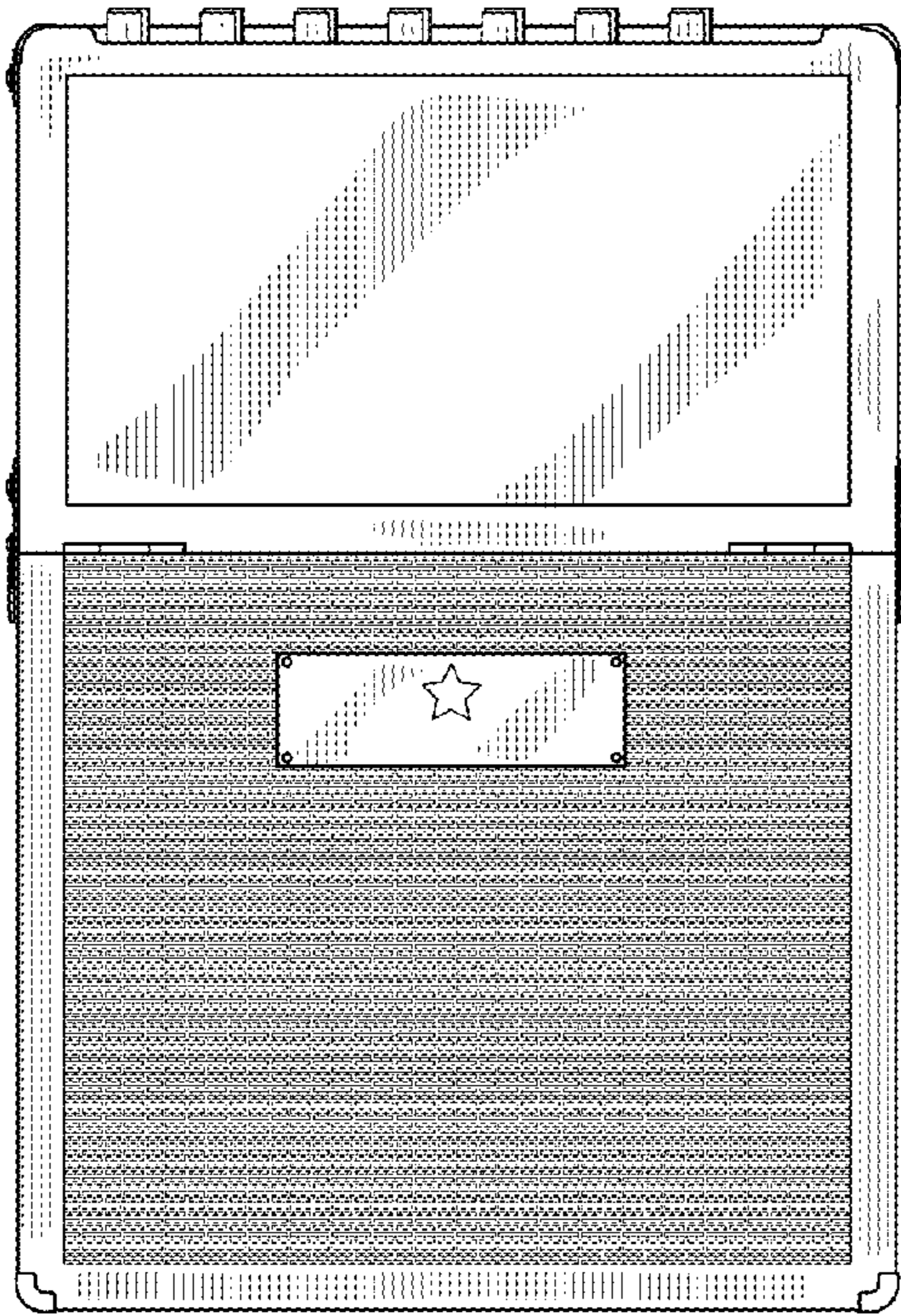


FIG. 8

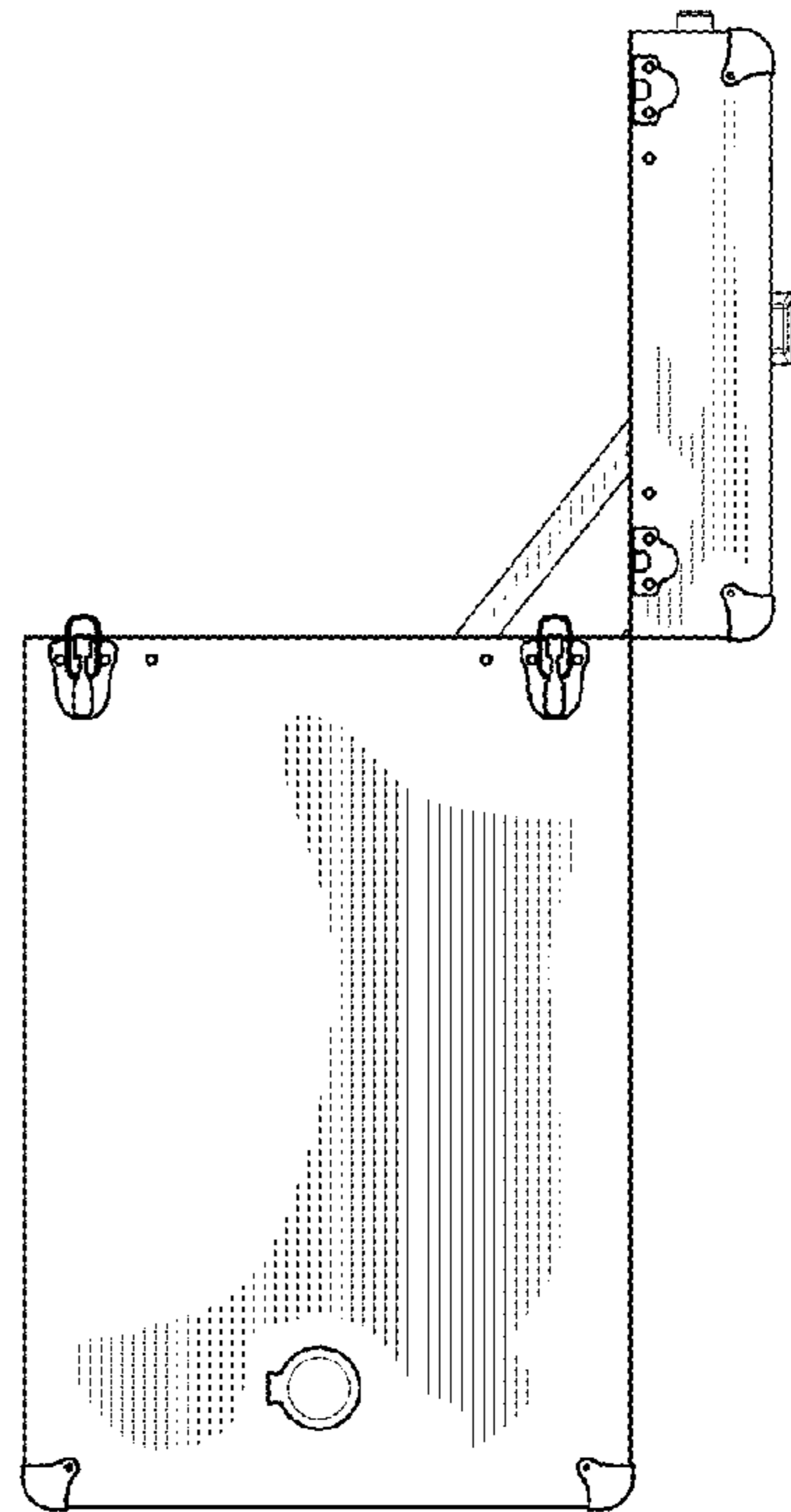


FIG. 9