



US00D717124S

(12) **United States Design Patent**  
**Epstein**

(10) **Patent No.:** **US D717,124 S**

(45) **Date of Patent:** **\*\* Nov. 11, 2014**

(54) **ICE BUCKET**

(56) **References Cited**

(71) Applicant: **Epstein Sourcing & Design, Incorporated**, Mill Valley, CA (US)  
(72) Inventor: **Monique Epstein**, Mill Valley, CA (US)  
(73) Assignee: **Epstein Sourcing & Design, Inc.**, Mill Valley, CA (US)

U.S. PATENT DOCUMENTS

3,977,552 A \* 8/1976 Lombardo ..... 215/12.2  
D407,608 S \* 4/1999 Carrere ..... D7/603  
D530,156 S \* 10/2006 Moore ..... D7/603

(\*\*) Term: **14 Years**

\* cited by examiner

*Primary Examiner* — Terry Wallace

(21) Appl. No.: **29/472,747**

(74) *Attorney, Agent, or Firm* — Dergosits & Noah LLP

(22) Filed: **Nov. 15, 2013**

(57) **CLAIM**

The ornamental design for an ice bucket, as shown and described.

(51) **LOC (10) Cl.** ..... **07-01**

**DESCRIPTION**

(52) **U.S. Cl.**

USPC ..... **D7/603**

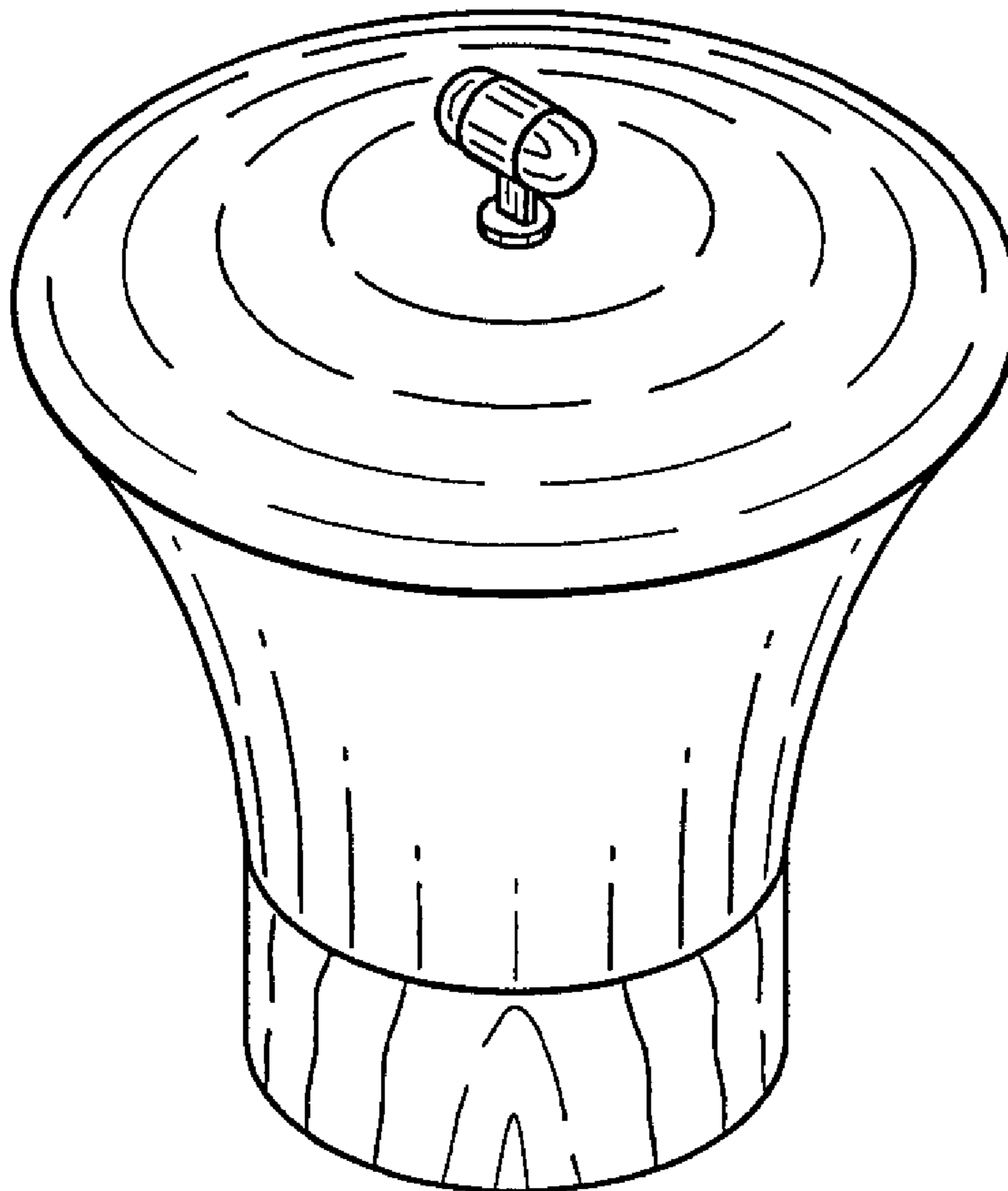
(58) **Field of Classification Search**

CPC ..... F25D 3/00; F25D 3/02; F25D 3/06  
USPC ..... D7/603–608, 602, 629, 538–542;  
62/457.1–457.9, 371, 372, 459;  
D15/89; 215/12.1, 12.2, 13.1,  
215/394–396; 220/574–575, 915.1, 915.2,  
220/737, 739, 592.01, 592.09, 592.2

FIG. 1 is a perspective view of the ice bucket.  
FIG. 2 is a front plan view of the ice bucket, the rear plan view being identical.  
FIG. 3 is a right side plan view of the ice bucket, the left side plan view being identical.  
FIG. 4 is a top plan view of the ice bucket; and,  
FIG. 5 is a bottom plan view of the ice bucket.

See application file for complete search history.

**1 Claim, 3 Drawing Sheets**



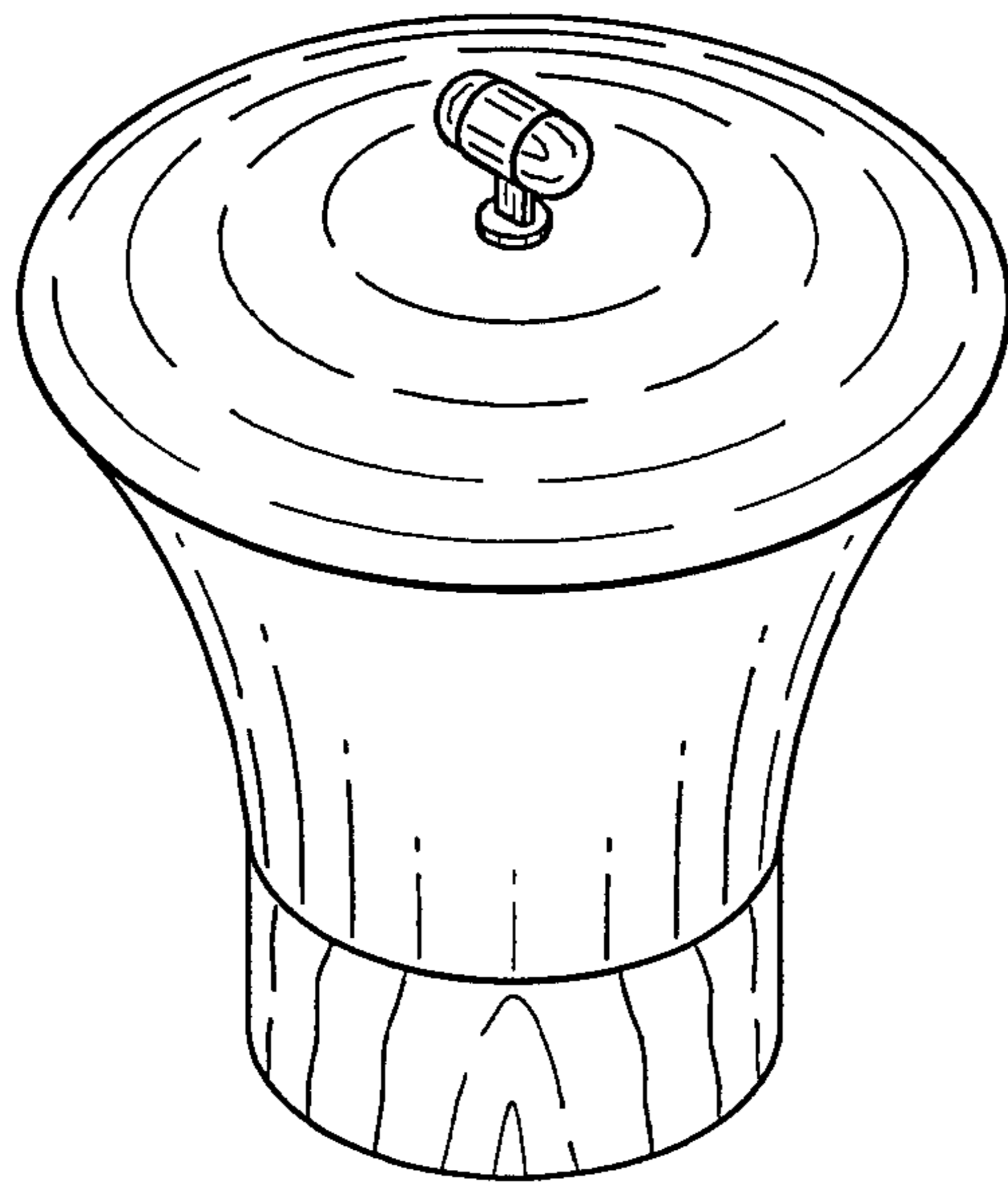


FIG. 1

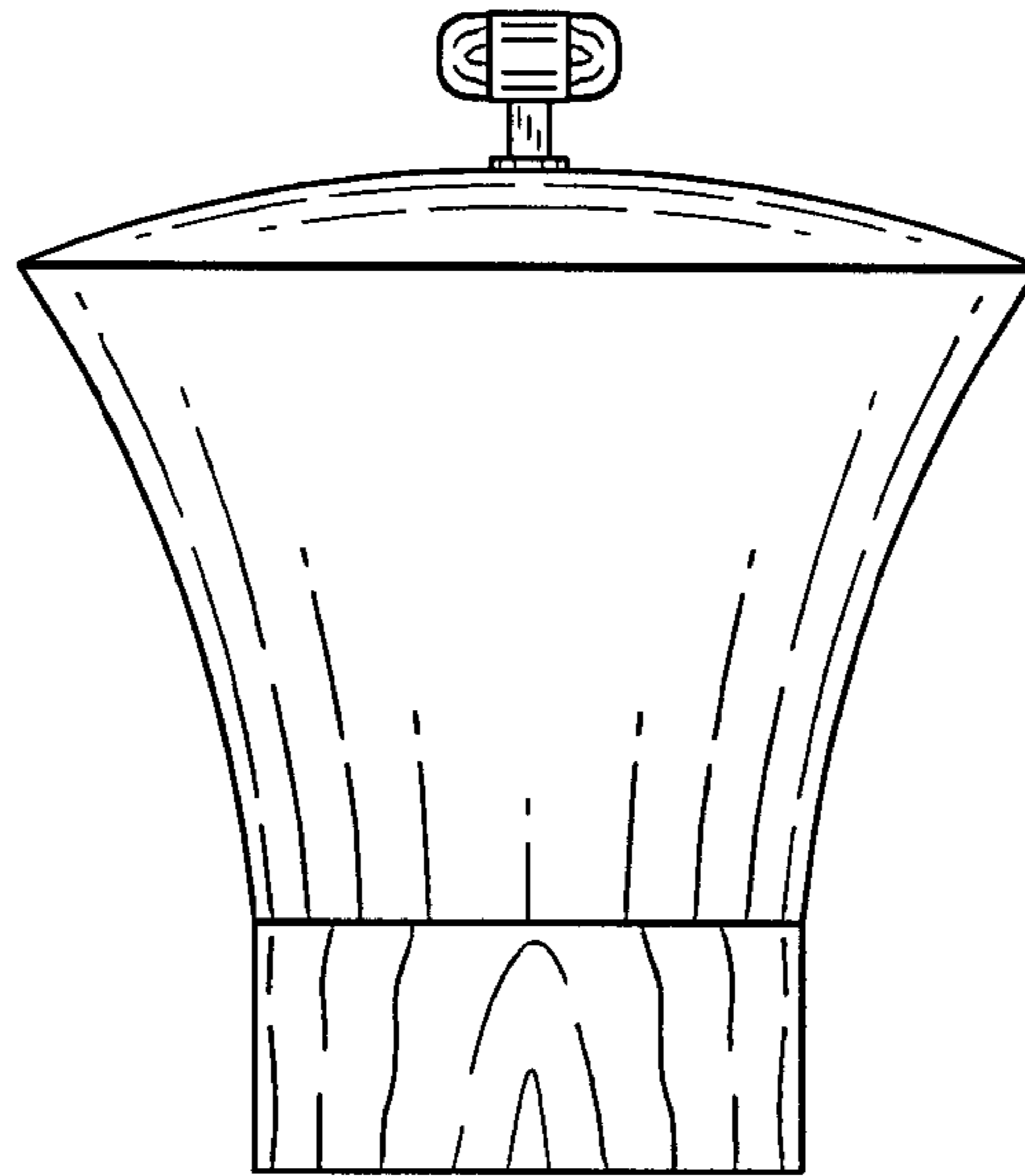


FIG. 2

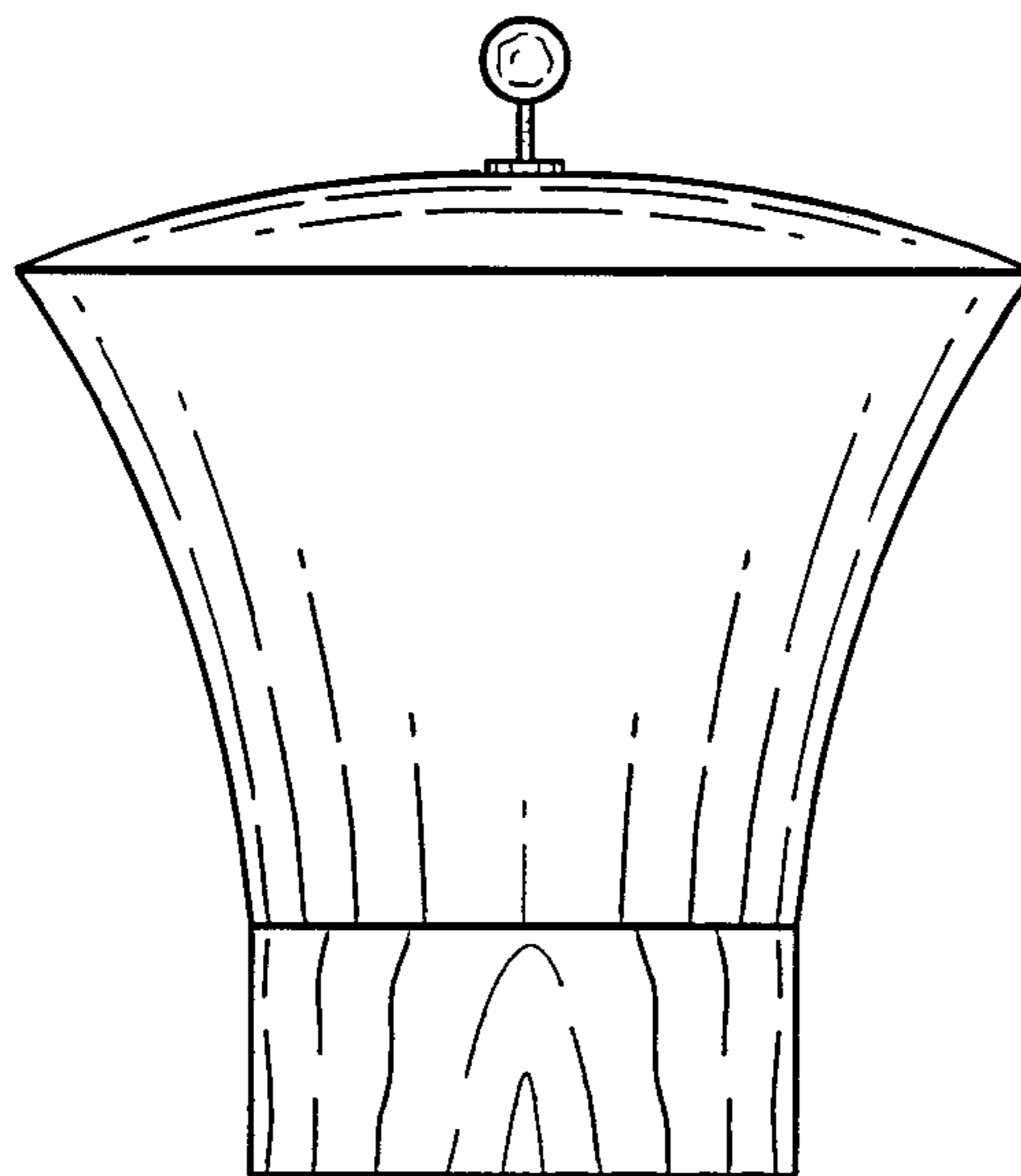


FIG. 3

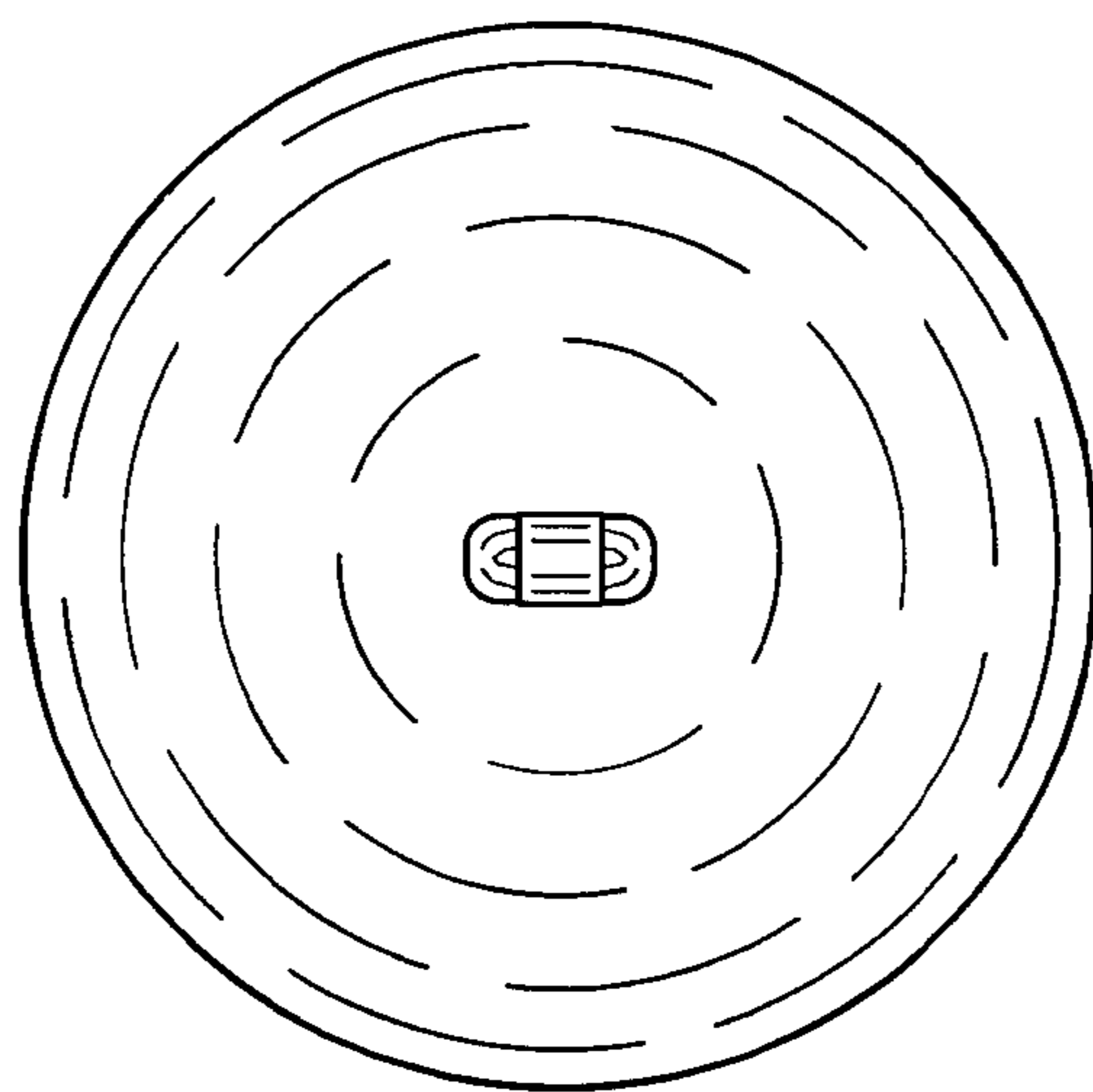


FIG. 4

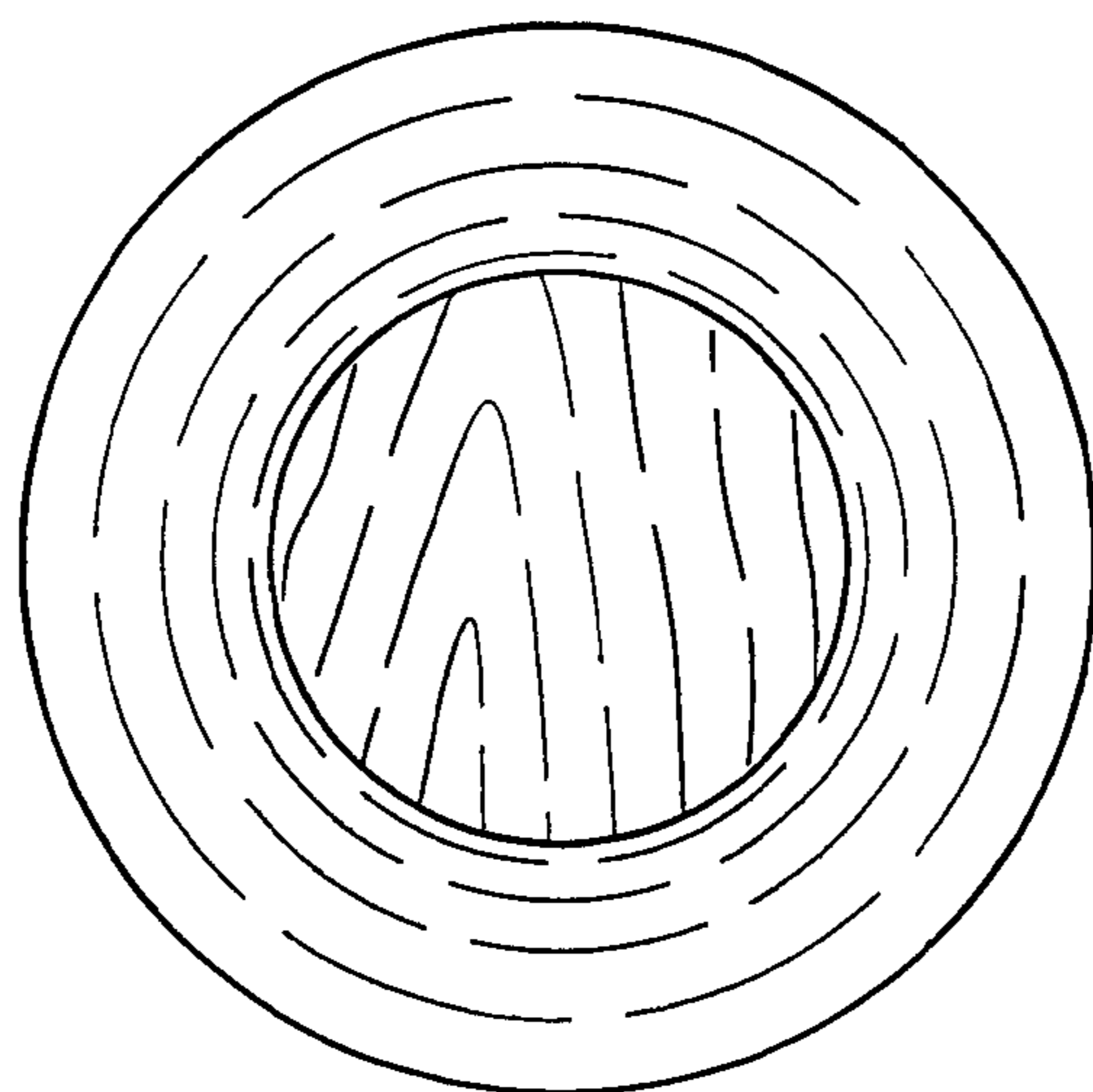


FIG. 5