



US00D717117S

(12) **United States Design Patent**  
**Saxton et al.**

(10) **Patent No.:** **US D717,117 S**  
(45) **Date of Patent:** **\*\* Nov. 11, 2014**

(54) **CONTAINER WITH HANDLES**

FOREIGN PATENT DOCUMENTS

(71) Applicant: **Munchkin, Inc.**, Van Nuys, CA (US)  
(72) Inventors: **Matthew Joseph Saxton**, Agoura, CA (US); **Kevin Douglas Johnson**, Tarzana, CA (US); **Nairi Khachikian**, Glendale, CA (US)  
(73) Assignee: **Munchkin, Inc.**, Van Nuys, CA (US)

CN 300814854 \* 8/2008  
CN 301821232 \* 2/2012  
GB 2042390 \* 2/1995

*Primary Examiner* — Susan Bennett Hattan

*Assistant Examiner* — Leanne Was

(74) *Attorney, Agent, or Firm* — Robert Z. Evora, Esq.;  
Wade C. Yamazaki

(\*\*) Term: **14 Years**

(21) Appl. No.: **29/471,190**

(22) Filed: **Oct. 29, 2013**

(51) **LOC (10) Cl.** ..... **07-01**

(52) **U.S. Cl.**  
USPC ..... **D7/534**

(58) **Field of Classification Search**

USPC ..... D7/300, 300.1, 302, 305, 326, 387, 393,  
D7/394, 396.2, 396.6, 505, 507, 509, 510,  
D7/511, 523, 533, 534, 535, 543, 558, 586,  
D7/601, 602, 705, 619.1, 622; D9/500,  
D9/503, 527, 528, 530, 531, 715, 716, 719,  
D9/737, 738, 739, 742; D24/197;  
215/11.1–11.6, 387, 393, 398;  
220/703, 705, 711, 713, 717, 719;  
229/402

See application file for complete search history.

(56) **References Cited**

U.S. PATENT DOCUMENTS

D329,355 S 9/1992 Yagi  
D366,987 S 2/1996 Allegre  
D368,529 S 4/1996 Allegre  
D375,655 S 11/1996 King  
D454,642 S 3/2002 Hakim  
D476,849 S 7/2003 Randolph  
D513,932 S 1/2006 De Oliveira  
D579,722 S \* 11/2008 Sakulsacha et al. .... D7/510

(Continued)

(57) **CLAIM**

I claim the ornamental design for a container with handles, as shown and described.

**DESCRIPTION**

FIG. 1 is an upper front perspective view of a container with handles showing our new design;

FIG. 2 is an upper front perspective view showing a cross section of the container taken in the direction of line I-I in FIG. 9;

FIG. 3 is a lower front perspective view thereof;

FIG. 4 is a lower front perspective view showing a cross section of the container taken in the direction of line I-I in FIG. 9;

FIG. 5 is a front view thereof, the back view being the same image as the front view;

FIG. 6 is a front view showing a cross section of the container taken in the direction of line I-I in FIG. 9;

FIG. 7 is a side view thereof, the opposite side view being the same image as the side view;

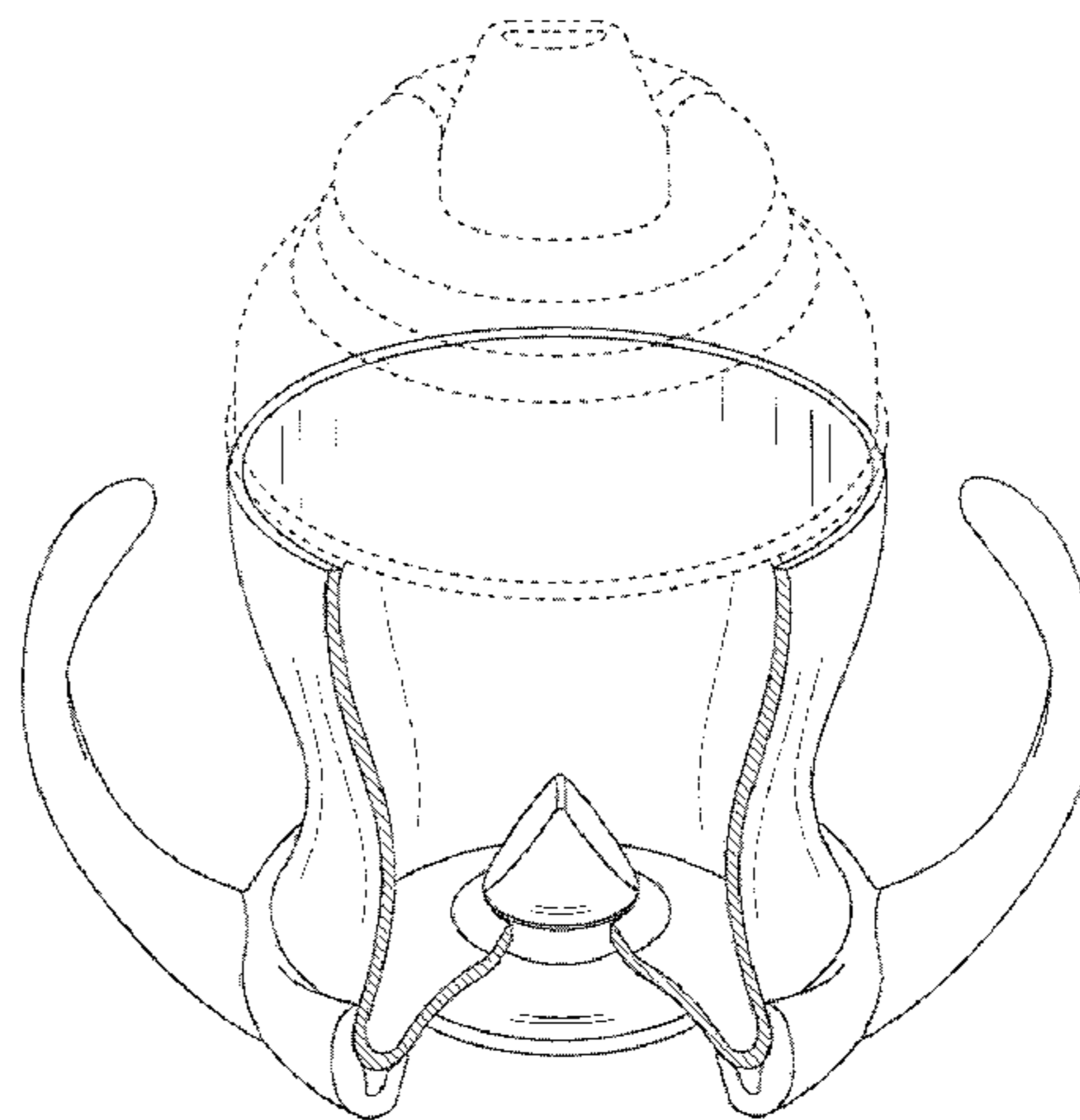
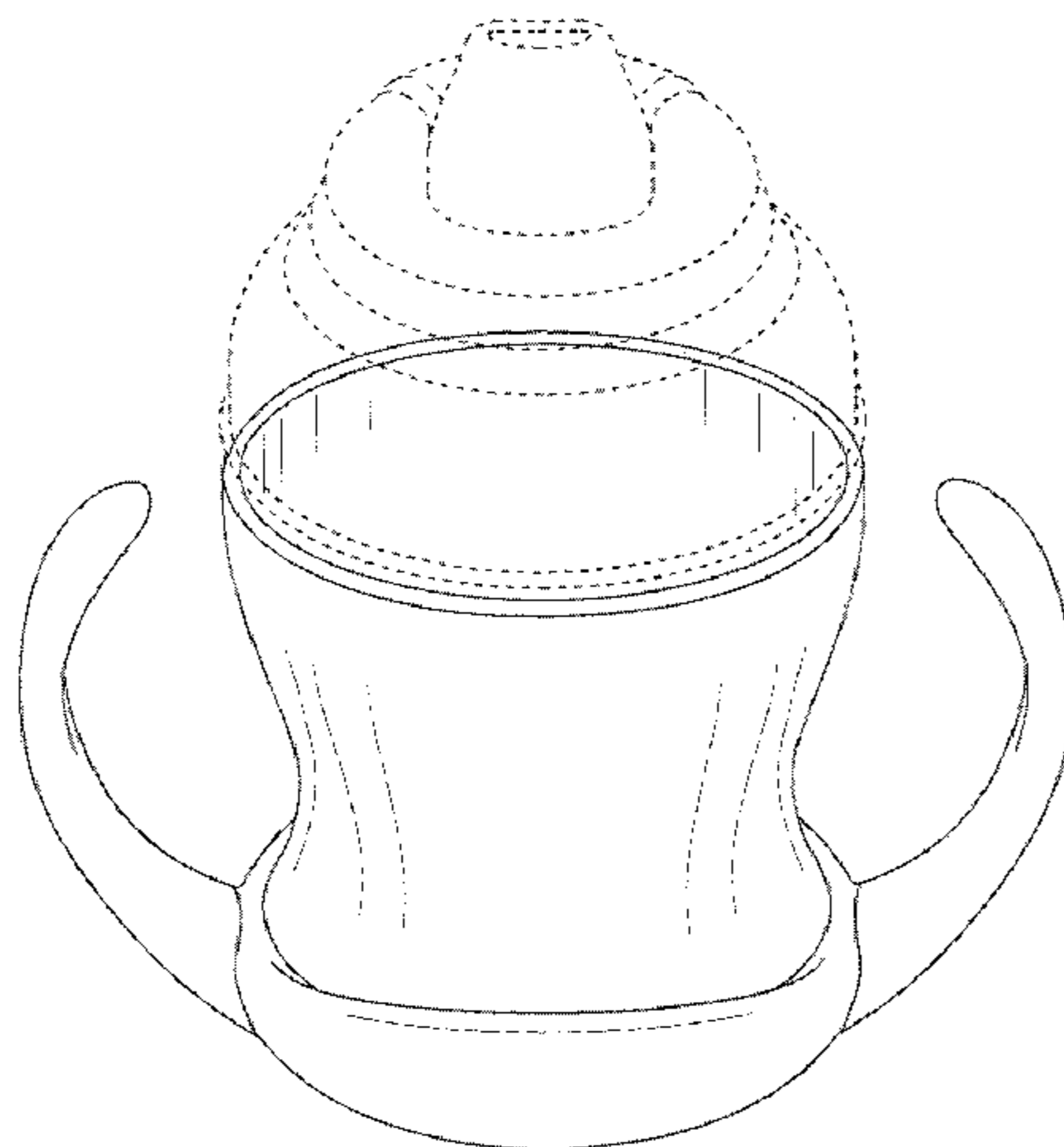
FIG. 8 is a side view showing a cross section of the container taken in the direction of line I-I in FIG. 9;

FIG. 9 is a top view thereof; and,

FIG. 10 is a bottom view thereof.

The broken lines shown in the drawings represent environmental structure in FIGS. 1-8 that form no part of the claimed design.

**1 Claim, 5 Drawing Sheets**



(56)

**References Cited**

U.S. PATENT DOCUMENTS

D616,706 S	6/2010	Bofinger et al.		
D644,067 S	8/2011	Valderrama		
D649,835 S *	12/2011	Lim .....	D7/516	* cited by examiner
D652,248 S	1/2012	Valderrama		
D698,600 S *	2/2014	Aslan .....	D7/393	
D710,147 S *	8/2014	Saxton .....	D7/393	

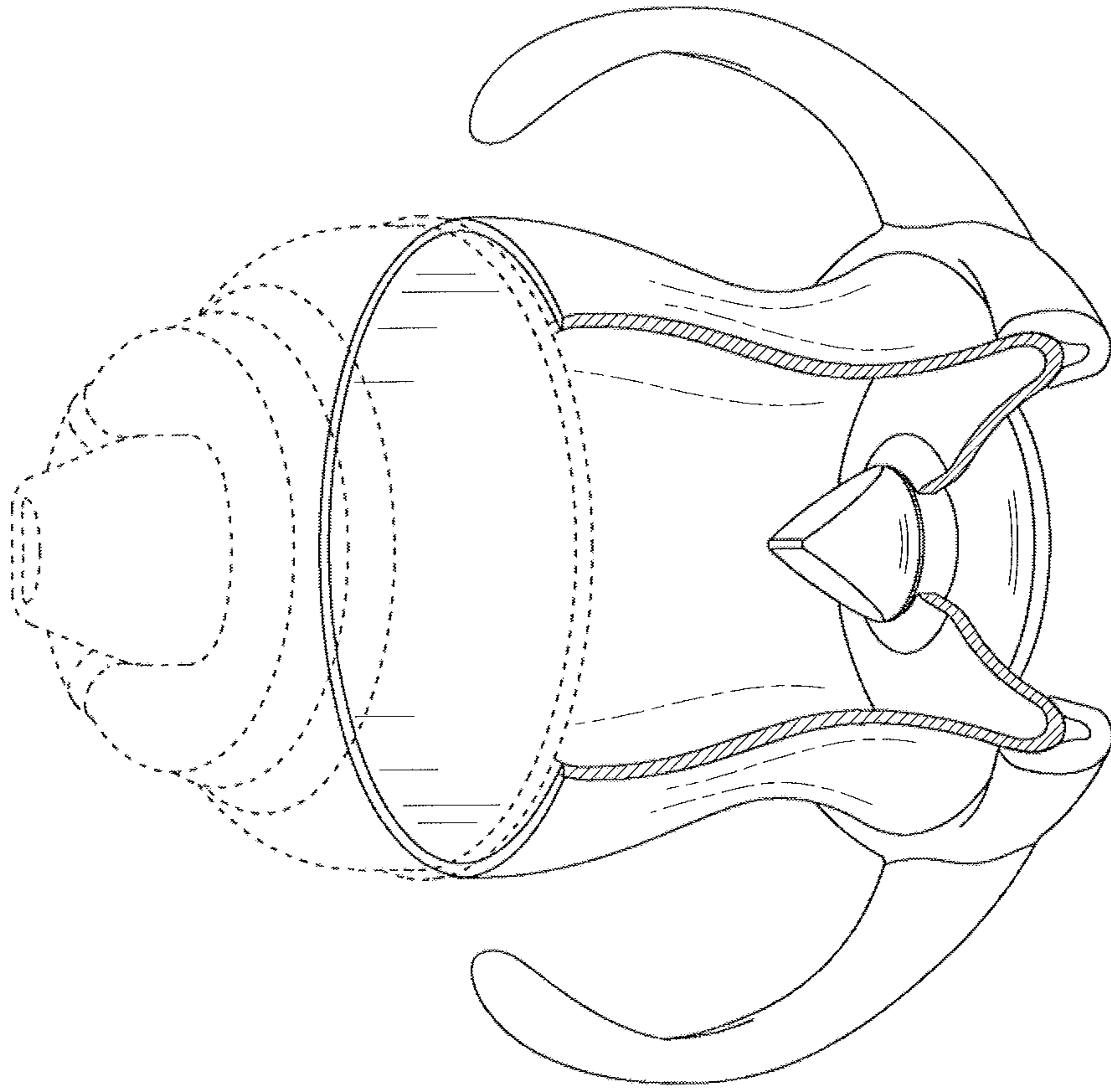


FIG. 2

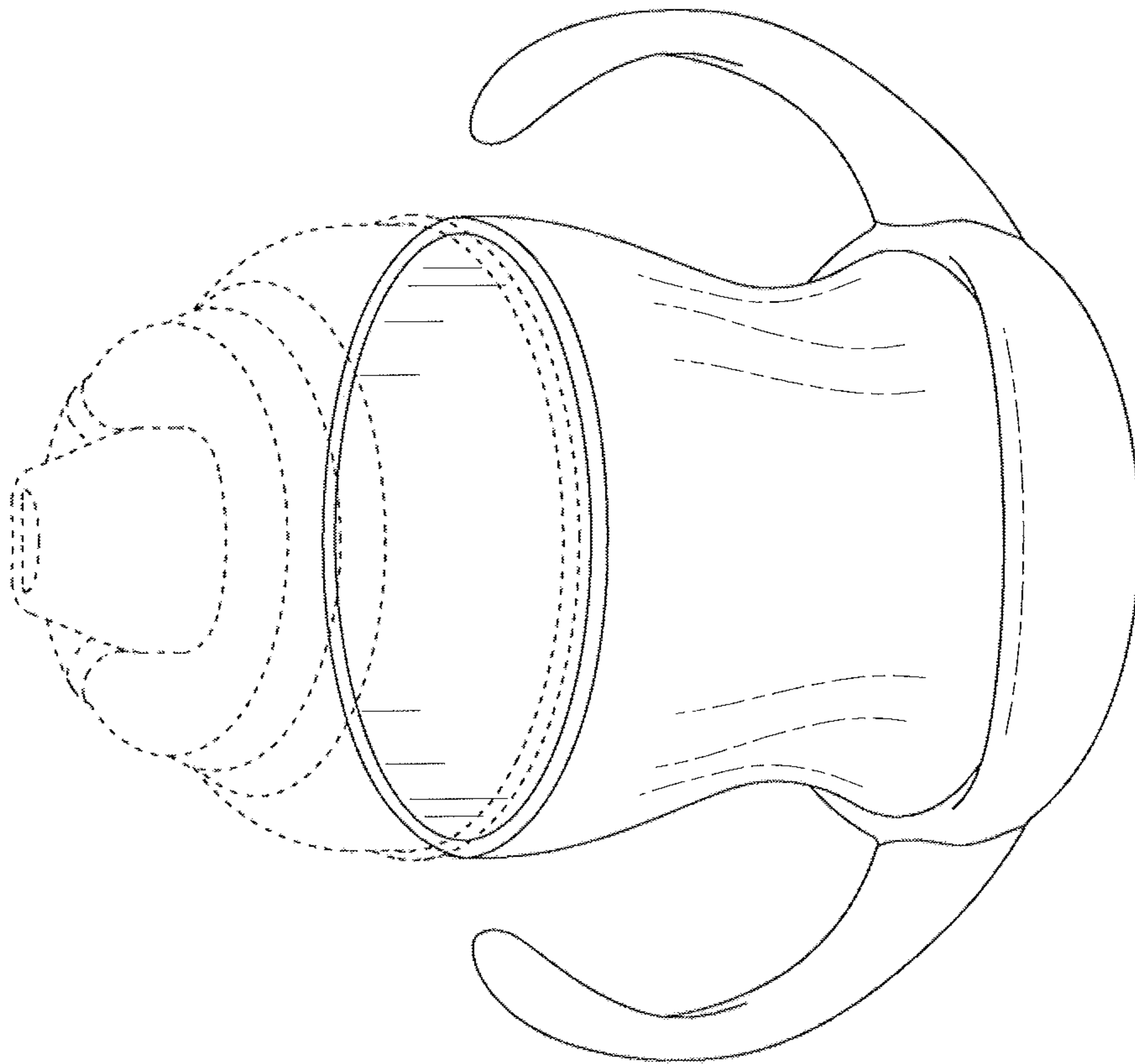


FIG. 1

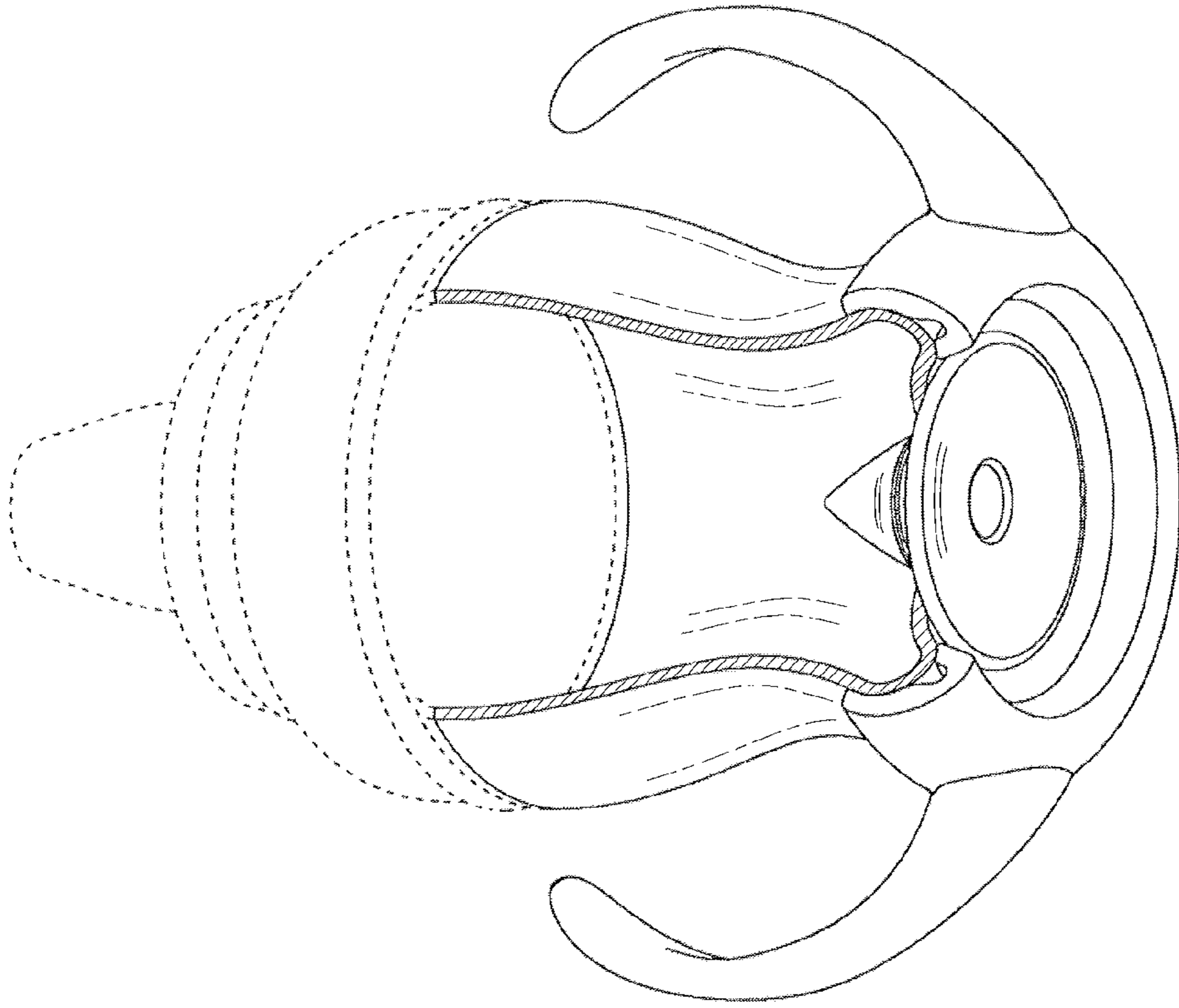


FIG. 4

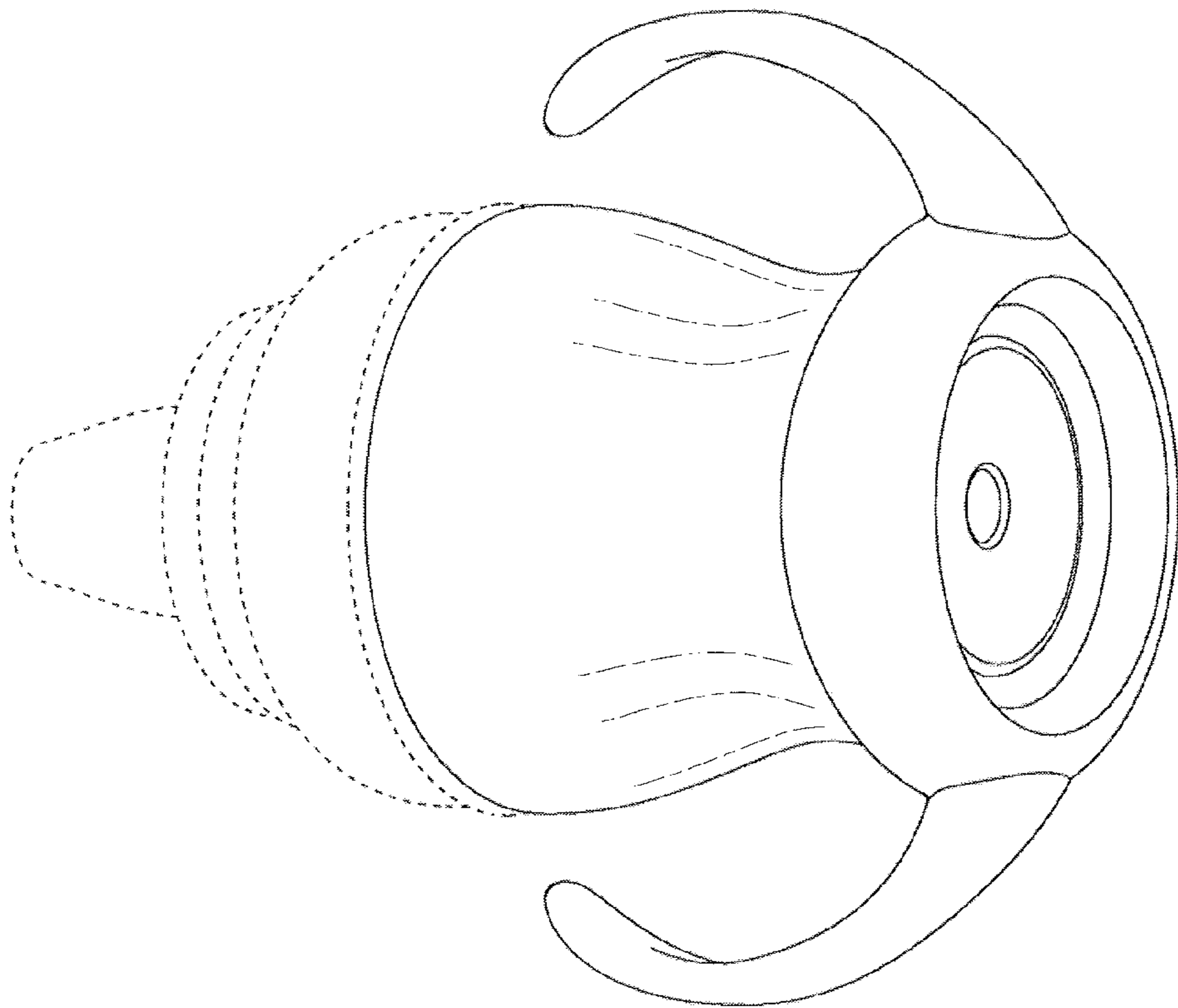


FIG. 3

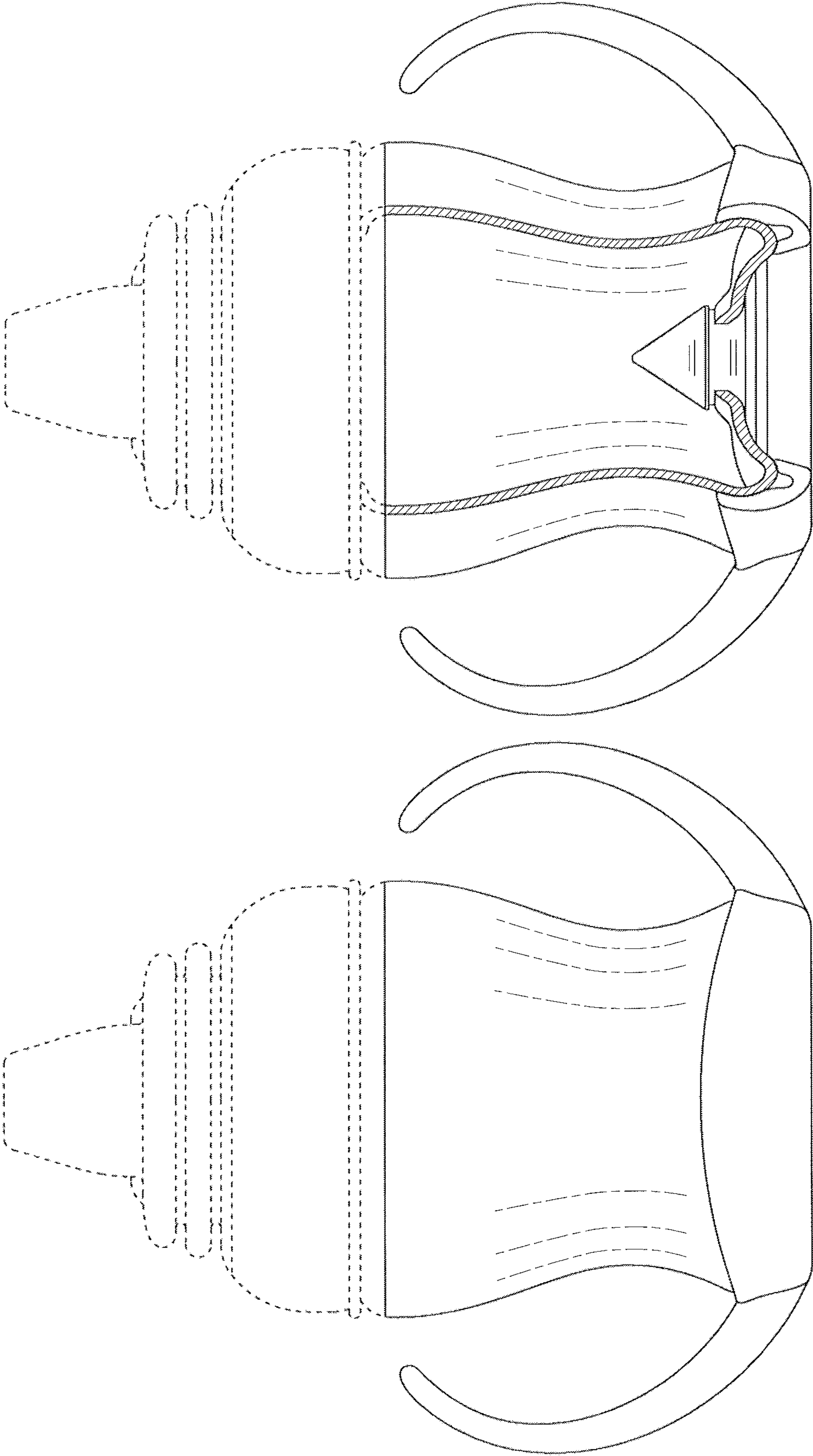


FIG. 6

FIG. 5

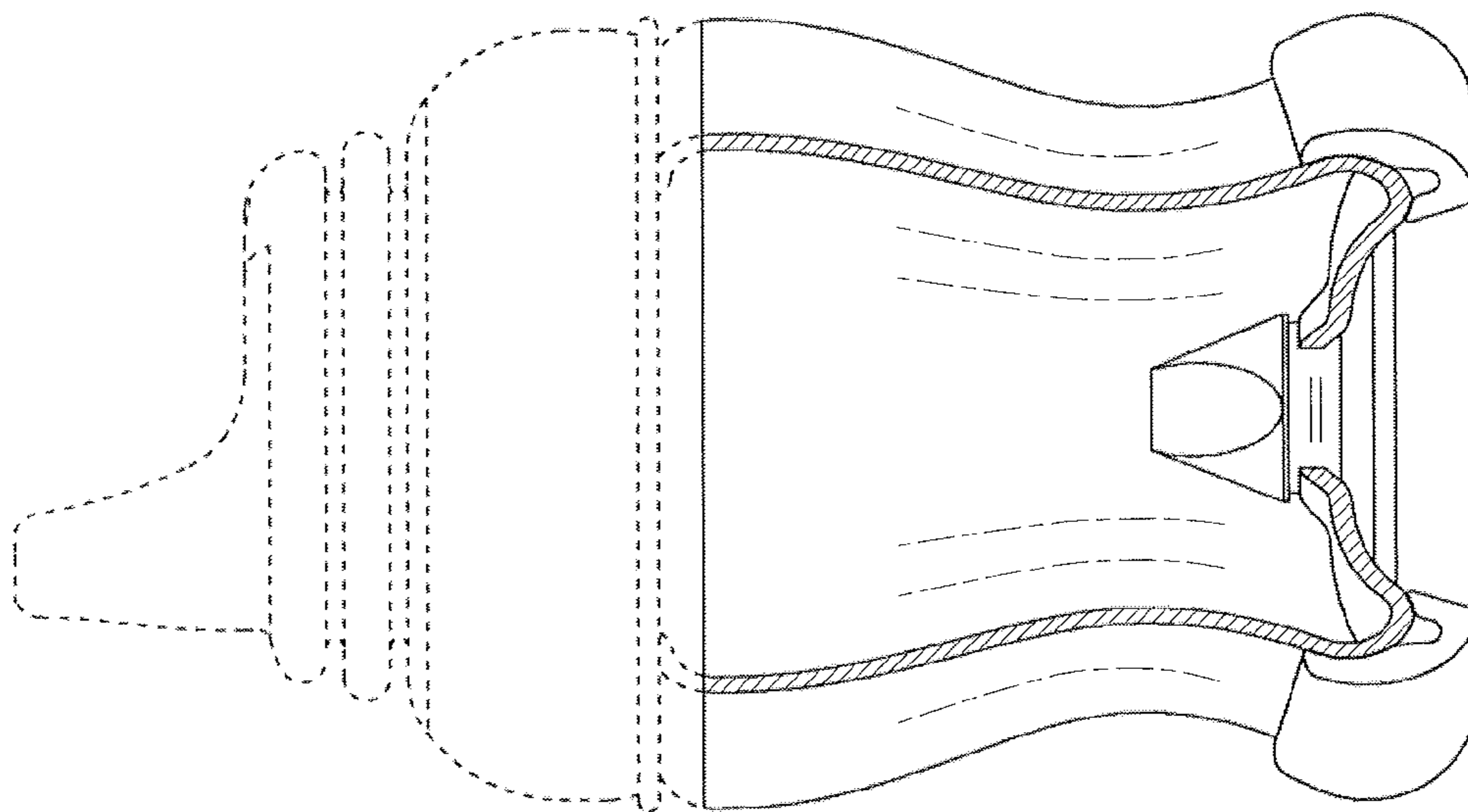


FIG. 7

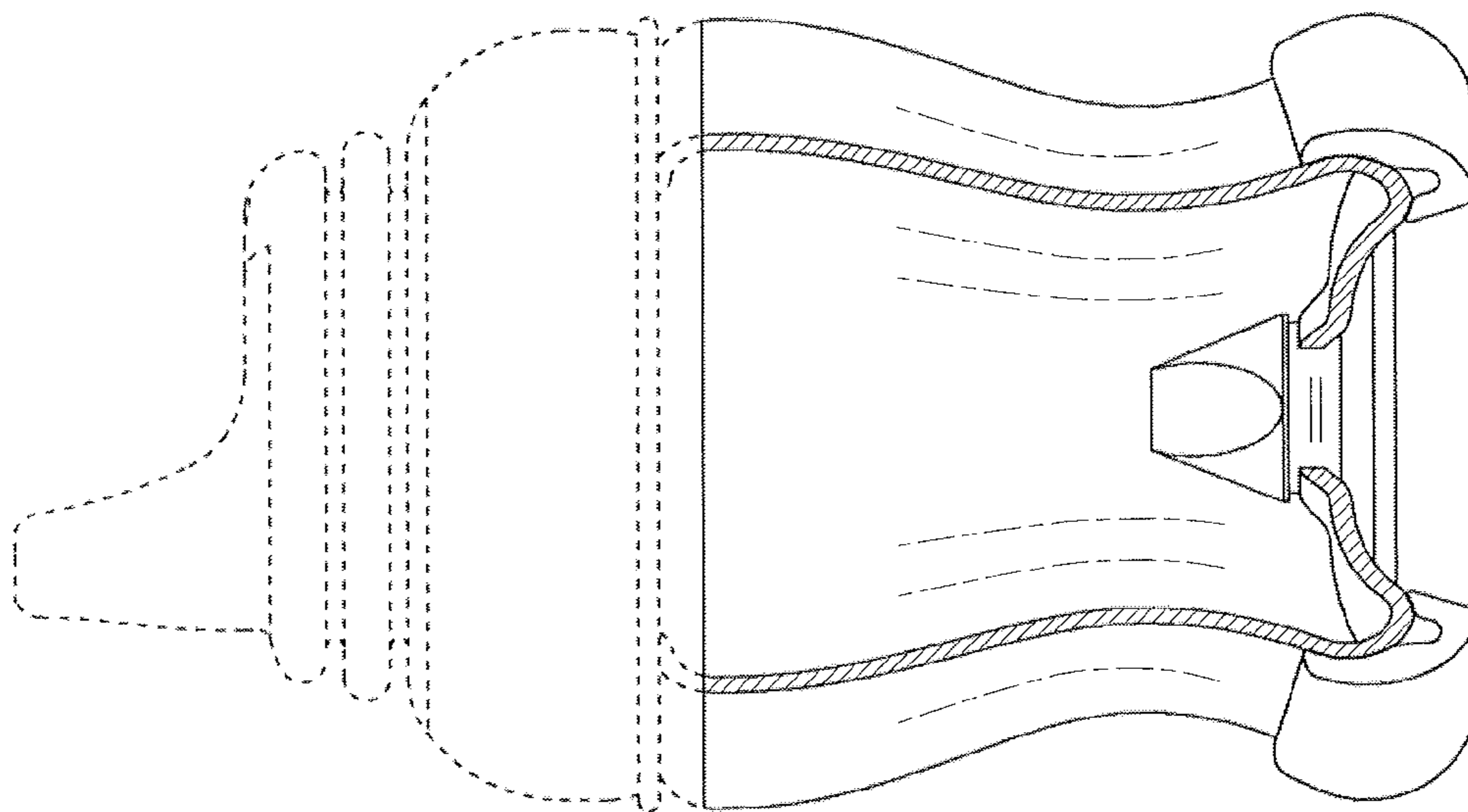


FIG. 8

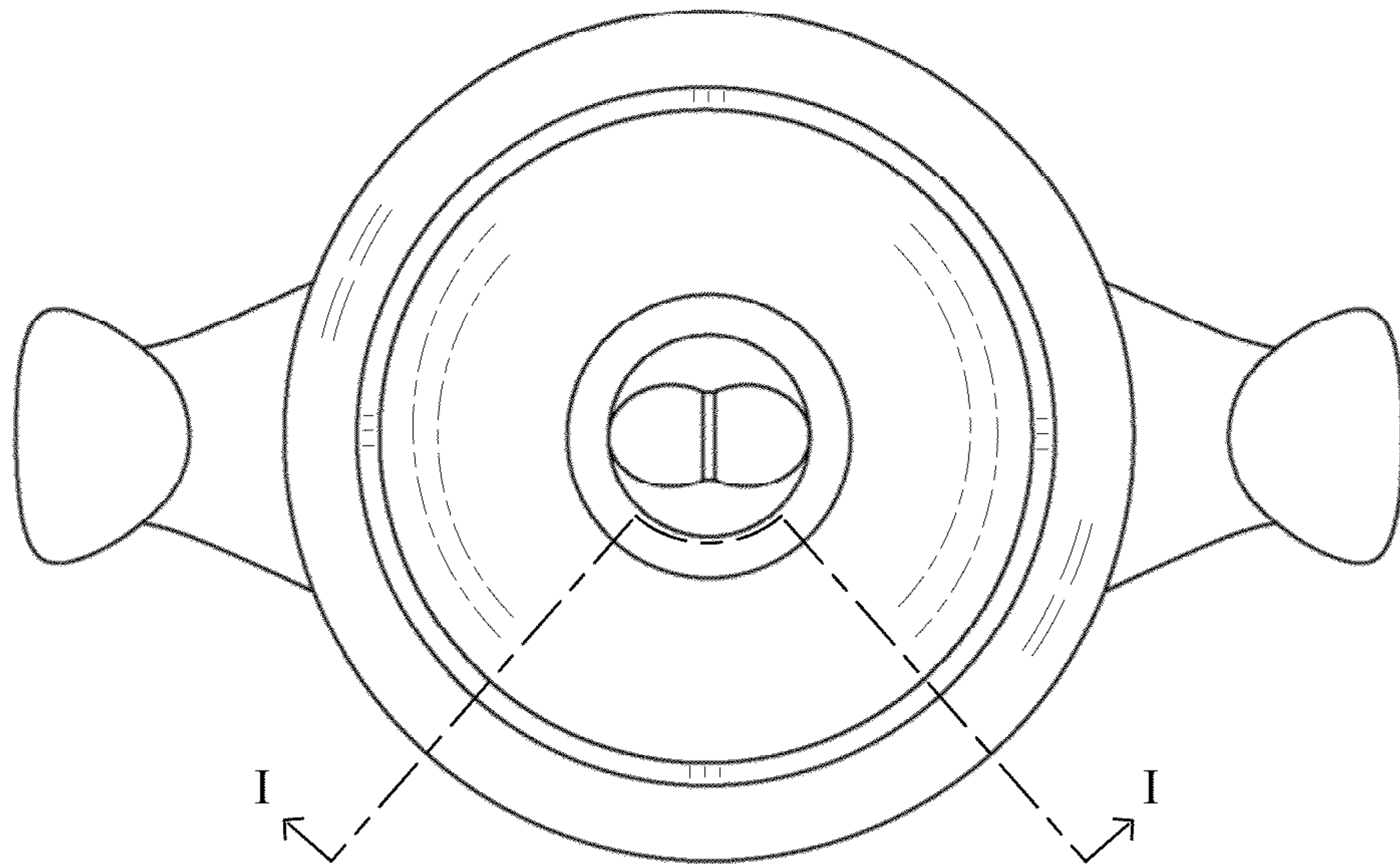


FIG. 9

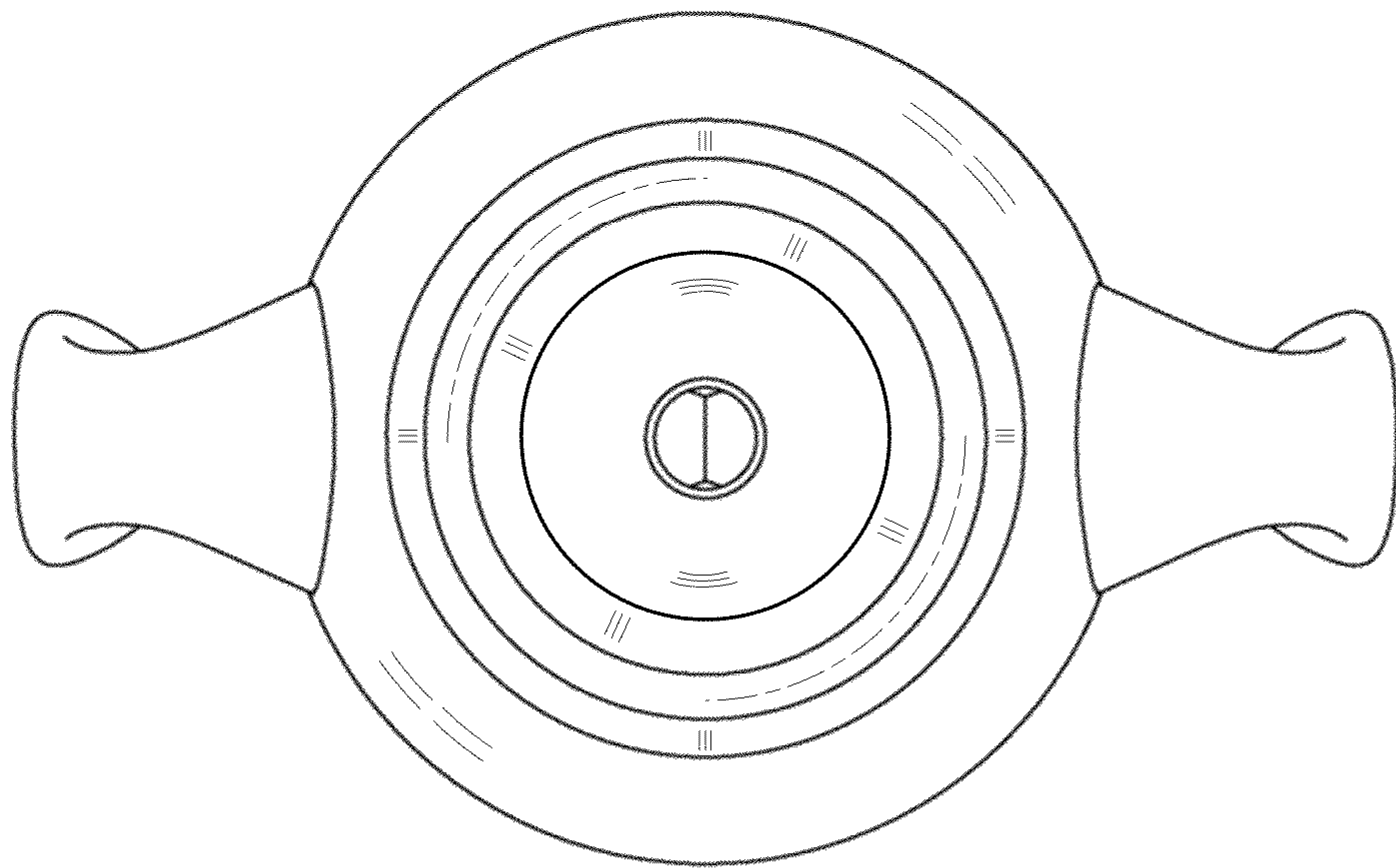


FIG. 10