



US00D717115S

(12) **United States Design Patent**
Lane et al.

(10) **Patent No.:** **US D717,115 S**
(45) **Date of Patent:** **** Nov. 11, 2014**

- (54) **TUMBLER**
- (71) Applicant: **Thermos L.L.C.**, Schaumburg, IL (US)
- (72) Inventors: **Marvin Lane**, Wheeling, IL (US);
Alfredo Carreno, Aurora, IL (US)
- (73) Assignee: **Thermos L.L.C.**, Schaumburg, IL (US)
- (**) Term: **14 Years**
- (21) Appl. No.: **29/486,677**
- (22) Filed: **Apr. 1, 2014**
- (51) **LOC (10) Cl.** **07-01**
- (52) **U.S. Cl.**
USPC **D7/511**

D530,572 S *	10/2006	Daams	D7/615
D623,017 S *	9/2010	George	D7/510
D627,196 S *	11/2010	George	D7/510
D632,525 S *	2/2011	George	D7/523
D640,505 S *	6/2011	George	D7/510
D701,428 S *	3/2014	Lapsker	D7/532

FOREIGN PATENT DOCUMENTS

JP D1331093 * 7/2007

* cited by examiner

Primary Examiner — Susan Bennett Hattan

Assistant Examiner — Leanne Was

(74) *Attorney, Agent, or Firm* — Polsinelli PC

- (58) **Field of Classification Search**
USPC D7/321, 391, 392.1, 396.2, 396.6, 500,
D7/505, 507, 509, 510, 511, 523, 532, 538,
D7/540, 541, 542, 601, 602, 608, 612,
D7/619.1, 629; D9/417, 428, 435, 447,
D9/449, 500, 502–504, 519, 529, 549, 559,
D9/574, 575; 210/120; 215/13.1, 382, 387,
215/388; 220/288, 592.16, 592.17, 703,
220/705, 708, 709, 711, 713, 714, 715, 718,
220/780–782

See application file for complete search history.

(56) **References Cited**

U.S. PATENT DOCUMENTS

5,456,380 A *	10/1995	Ito et al.	220/713
D504,796 S *	5/2005	Schuler et al.	D7/392.1

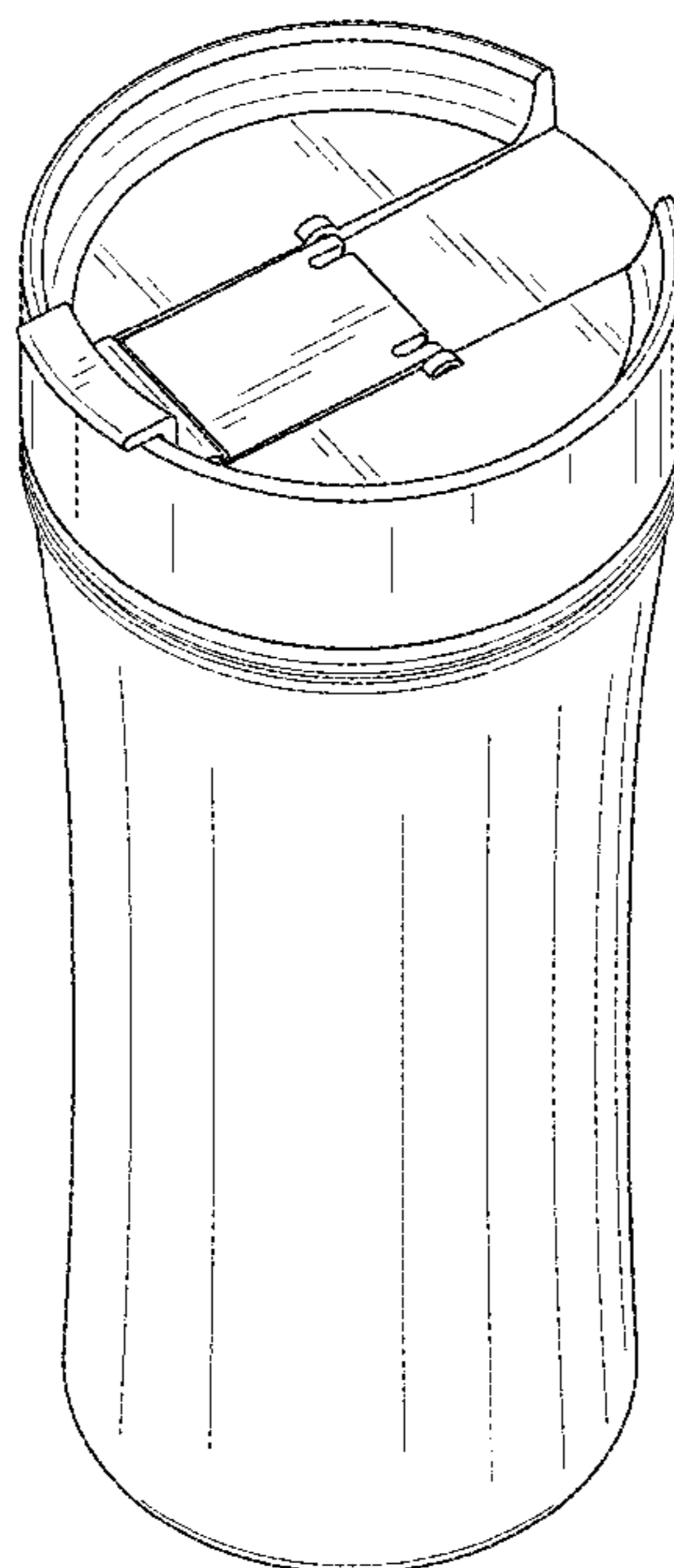
(57) **CLAIM**

The ornamental design for a tumbler, as shown and described.

DESCRIPTION

FIG. 1 is a perspective view of the tumbler;
 FIG. 2 is a front view of the tumbler;
 FIG. 3 is a rear view of the tumbler;
 FIG. 4 is a right side view of the tumbler;
 FIG. 5 is a left side view of the tumbler;
 FIG. 6 is a top view of the tumbler; and,
 FIG. 7 is a bottom view of the tumbler.
 The broken lines showing in the Figures are included for the purpose of illustrating portions of the tumbler that form no part of the claimed design.

1 Claim, 4 Drawing Sheets



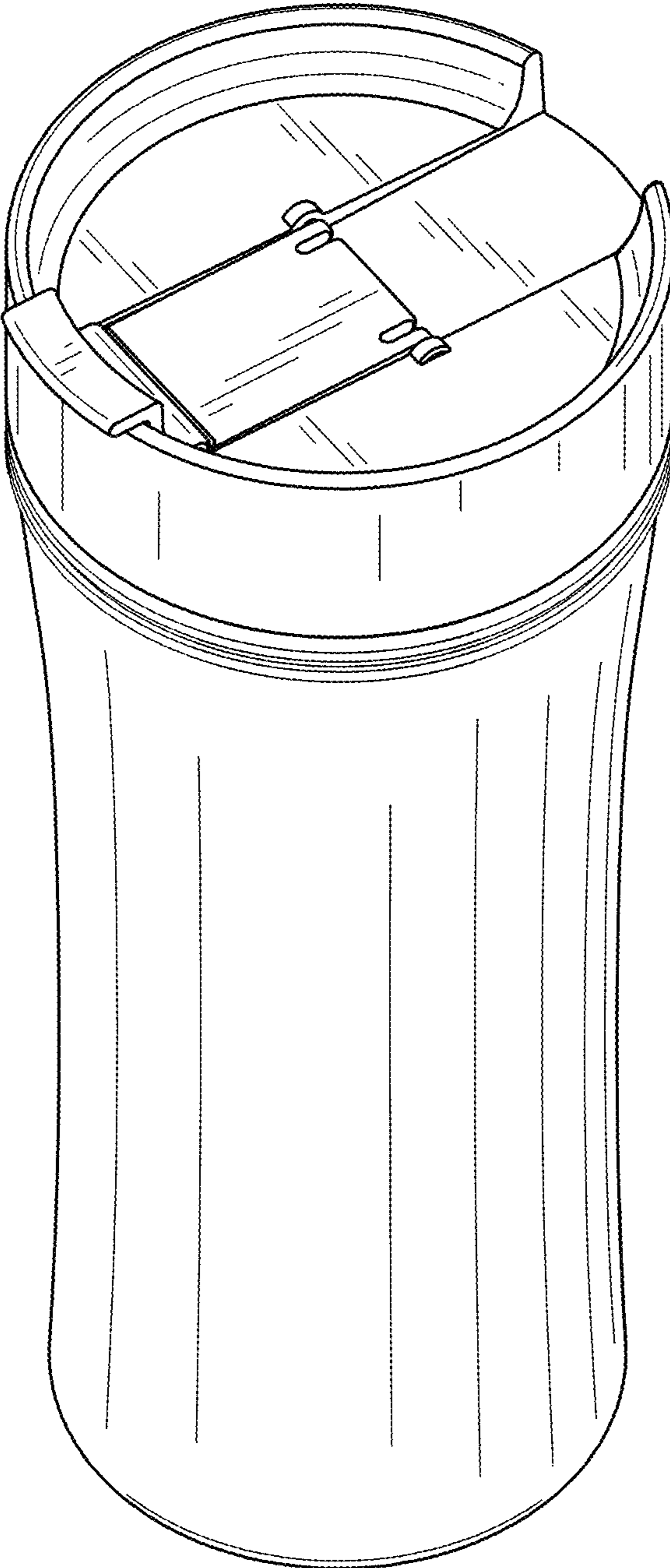


FIG. 1

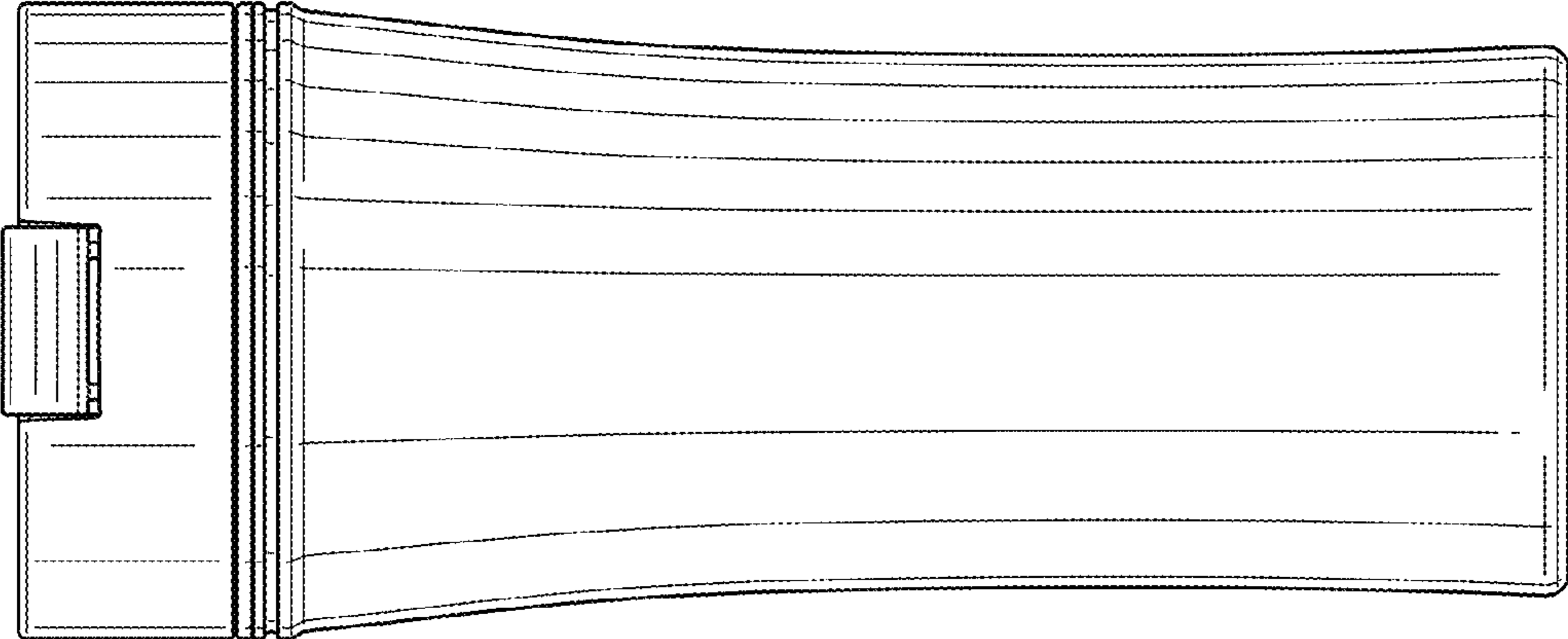


FIG. 3

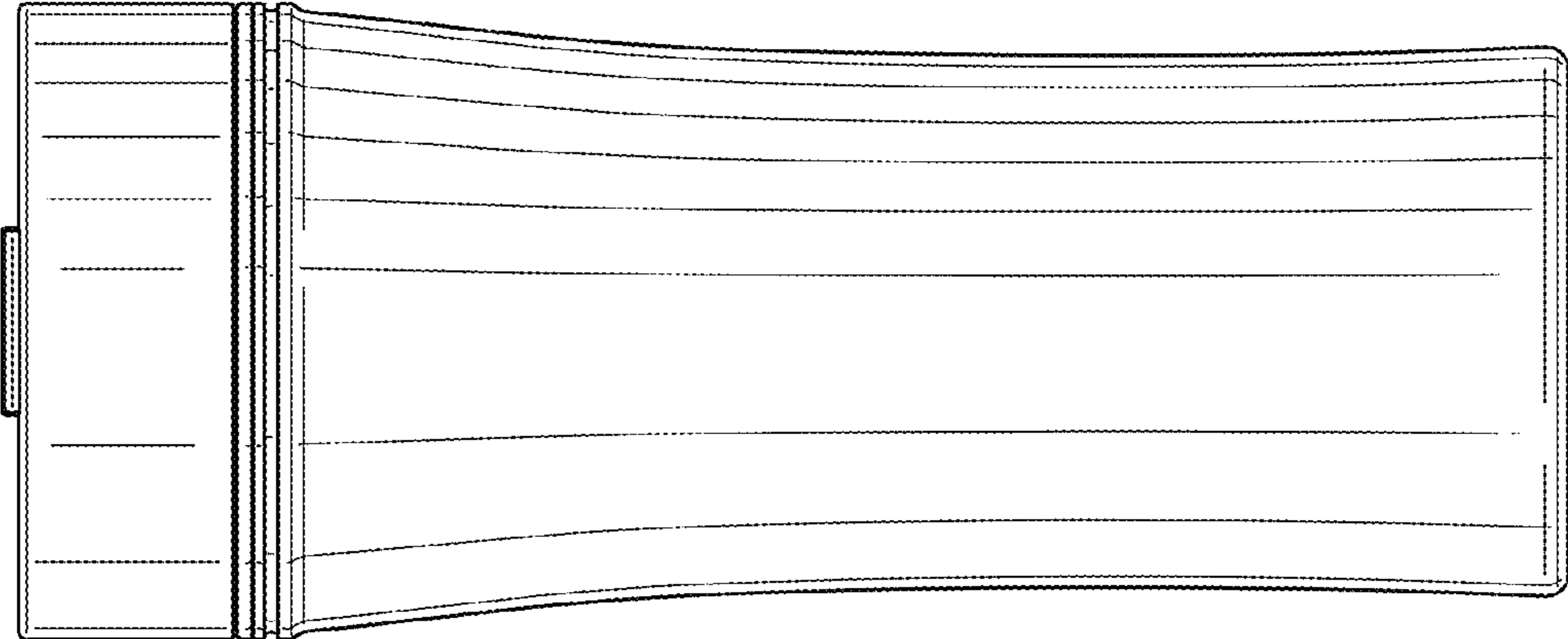


FIG. 2

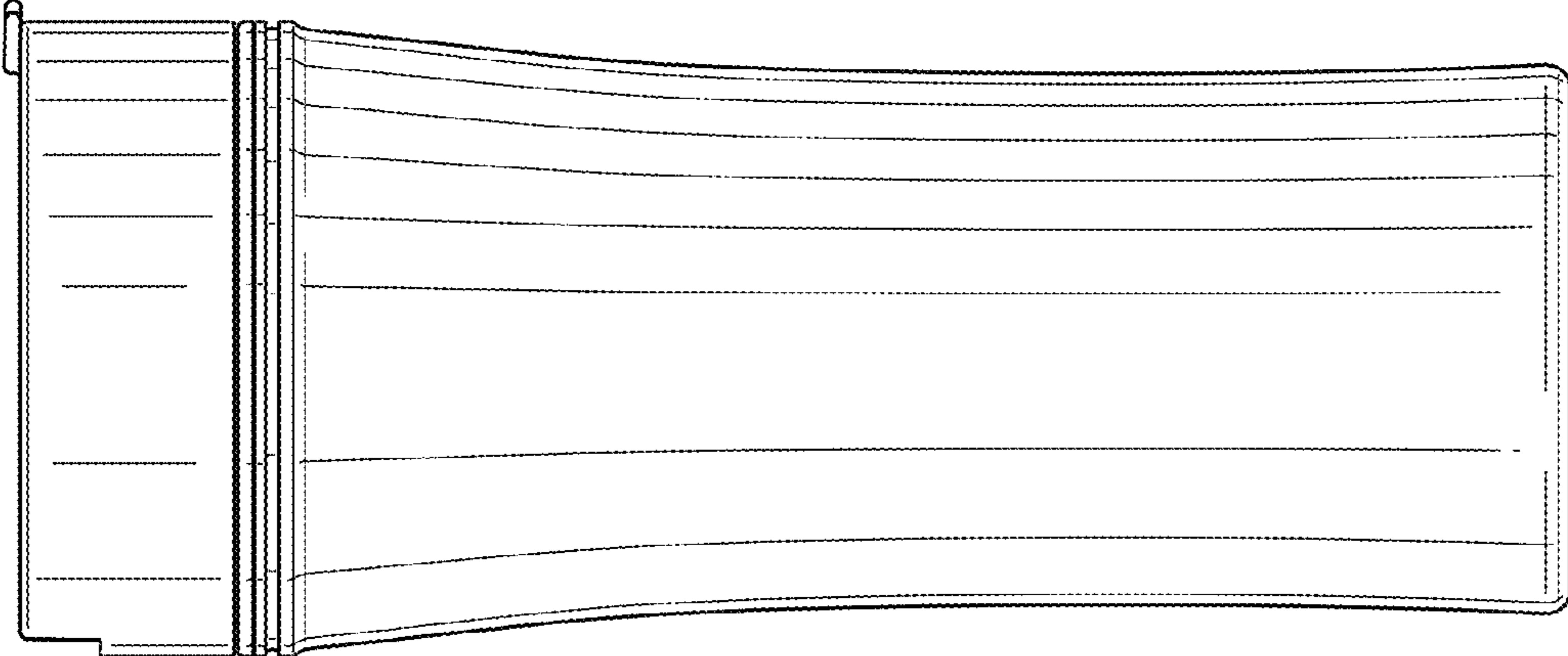


FIG. 5

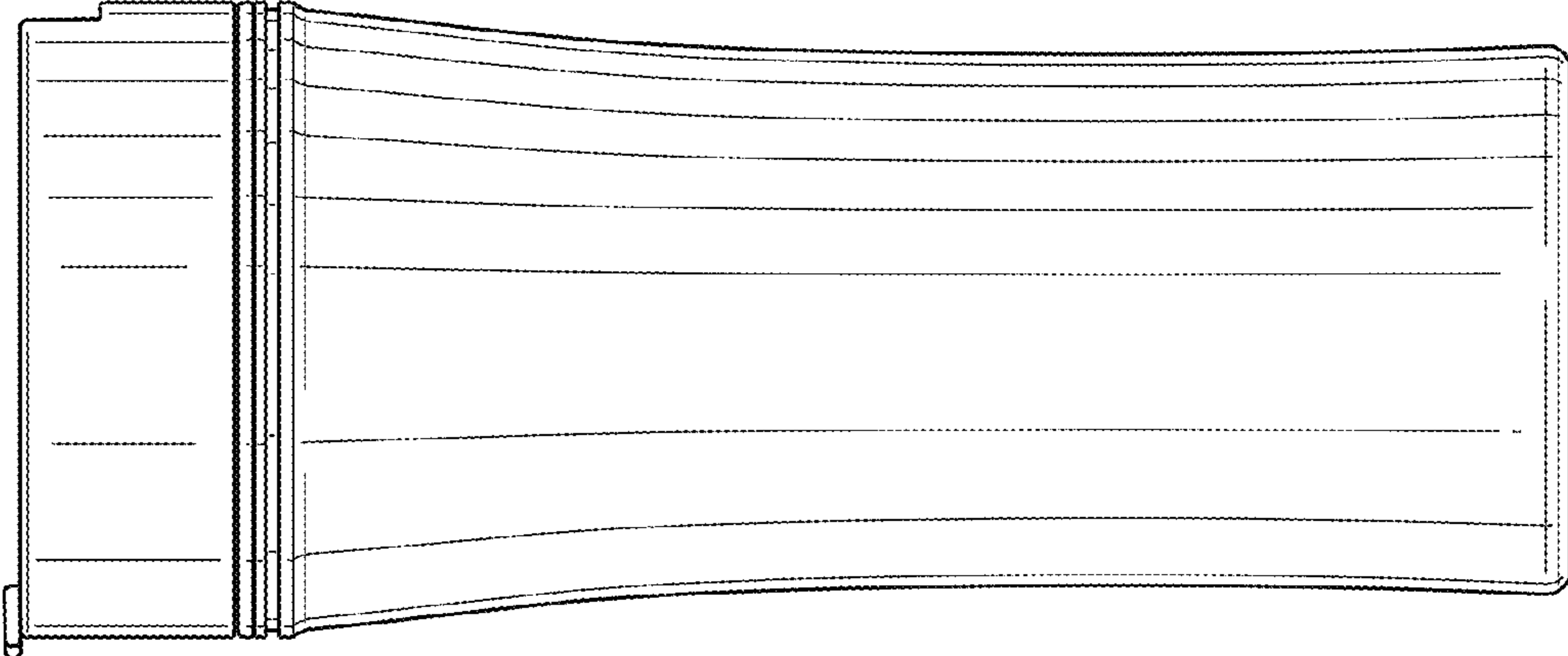


FIG. 4

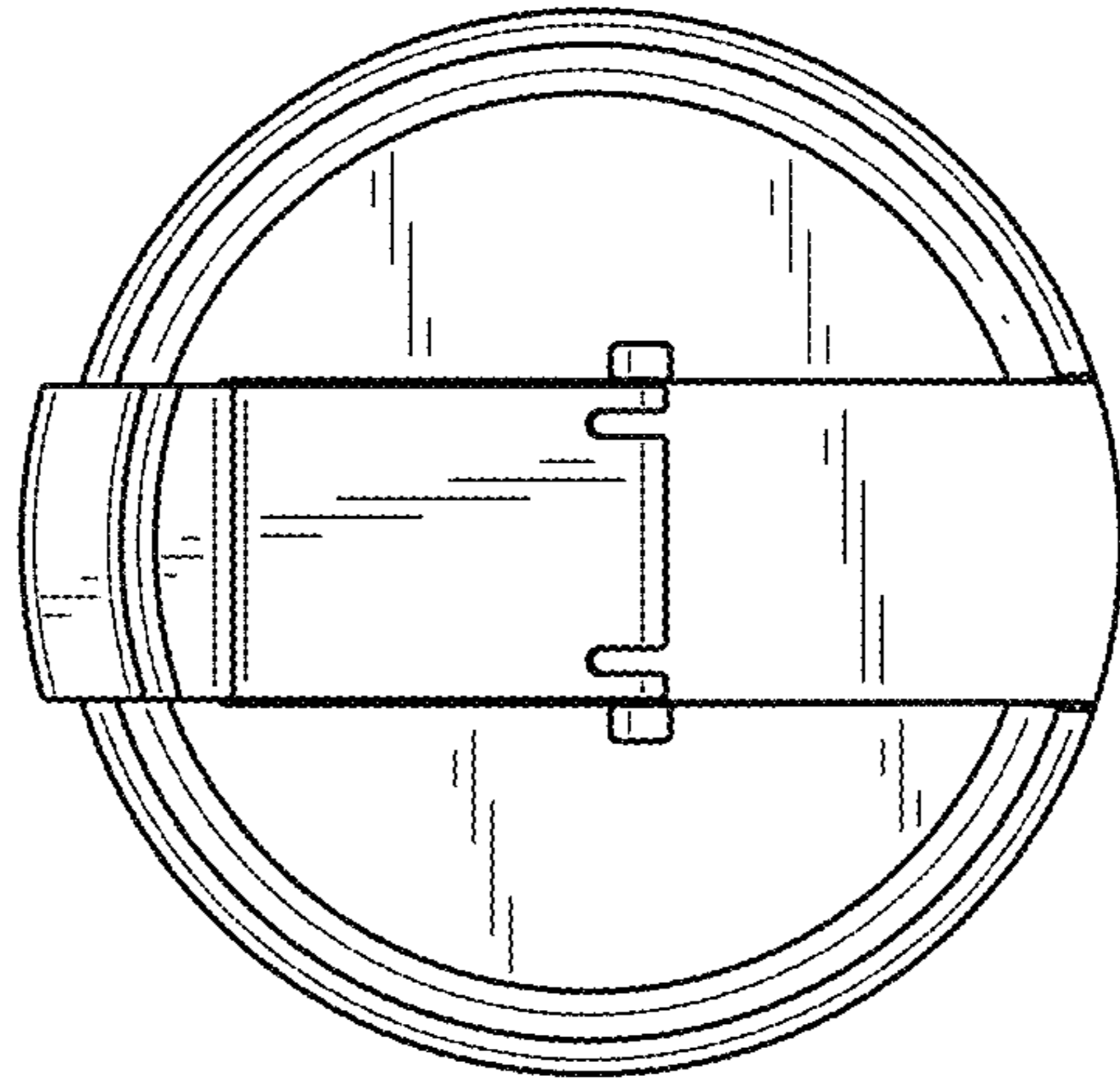


FIG. 6

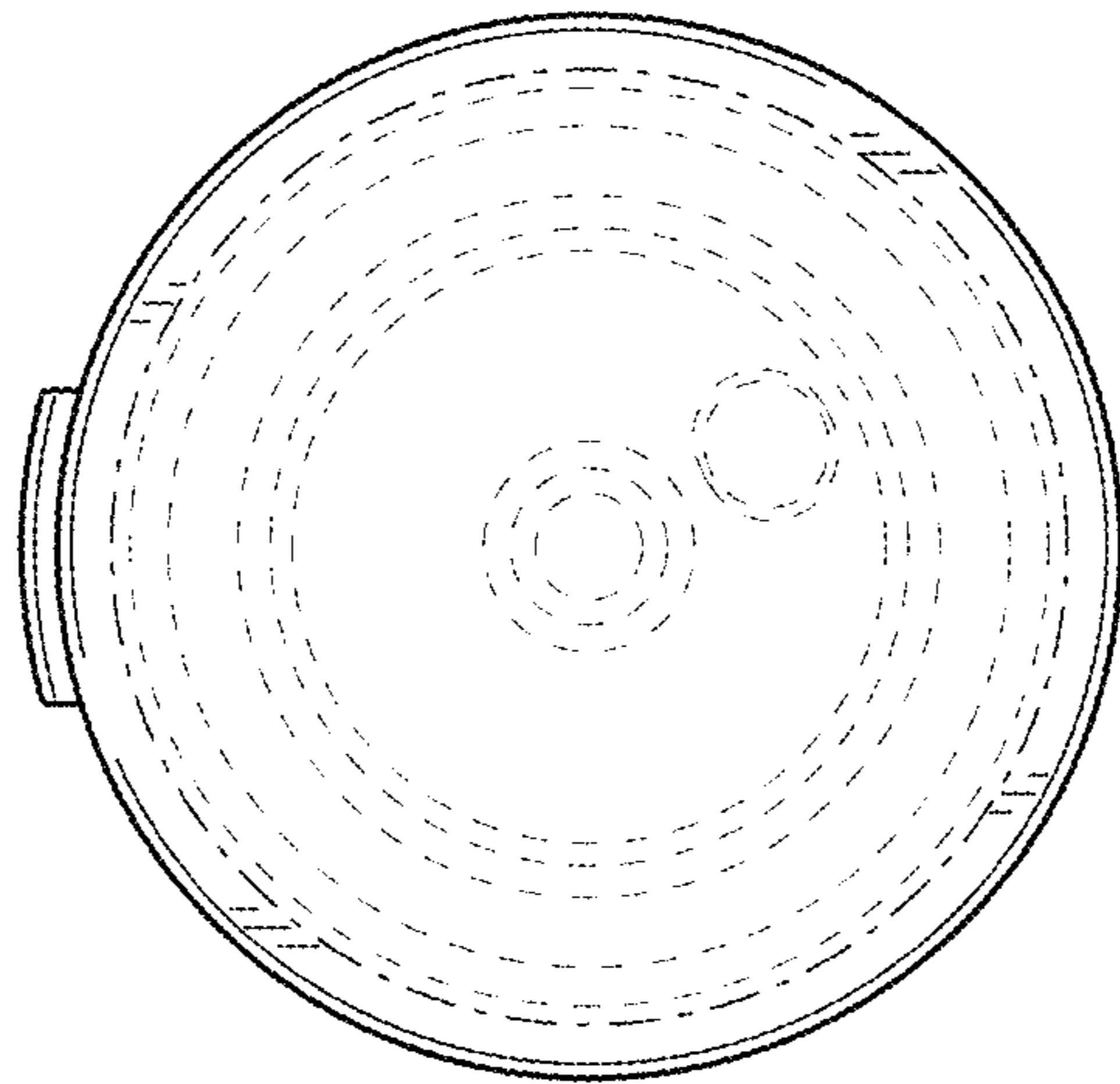


FIG. 7