



US00D717114S

(12) **United States Design Patent**
Katterheinrich et al.

(10) **Patent No.:** **US D717,114 S**

(45) **Date of Patent:** **** Nov. 11, 2014**

(54) **SET OF BOWLS**

(71) Applicant: **Target Brands, Inc.**, Minneapolis, MN (US)

(72) Inventors: **Kent D. Katterheinrich**, Shoreview, MN (US); **William Peterson**, Minneapolis, MN (US)

(73) Assignee: **Target Brands, Inc.**, Minneapolis, MN (US)

(**) Term: **14 Years**

(21) Appl. No.: **29/455,827**

(22) Filed: **May 24, 2013**

(51) **LOC (10) Cl.** **07-01**

(52) **U.S. Cl.**
USPC **D7/505; D7/507; D7/523; D7/584**

(58) **Field of Classification Search**
USPC **D7/505, 507, 555, 523, 509, 584; 220/574, 23.83, 23.86, 4.26; 206/506**
See application file for complete search history.

(56) **References Cited**

U.S. PATENT DOCUMENTS

1,098,873	A *	6/1914	Smith	198/669
3,219,226	A	11/1965	Schroeder		
4,154,109	A *	5/1979	Kelson	73/429
4,204,609	A	5/1980	Kuhn		
4,744,597	A	5/1988	Bauman et al.		
D305,846	S *	2/1990	Griffith	D7/555

(Continued)

OTHER PUBLICATIONS

“2-Piece Chip and Dip Set”, printed from www.crateandbarrel.com/2-piece-chip-and-dip-set/s613642 publicly available at least as early as Jan. 23, 2013 per <http://web.archive.org> (2 pages).

(Continued)

Primary Examiner — Marianne Pandozzi

(74) *Attorney, Agent, or Firm* — Griffiths & Seaton PLLC; JoAnn M. Seaton

(57) **CLAIM**

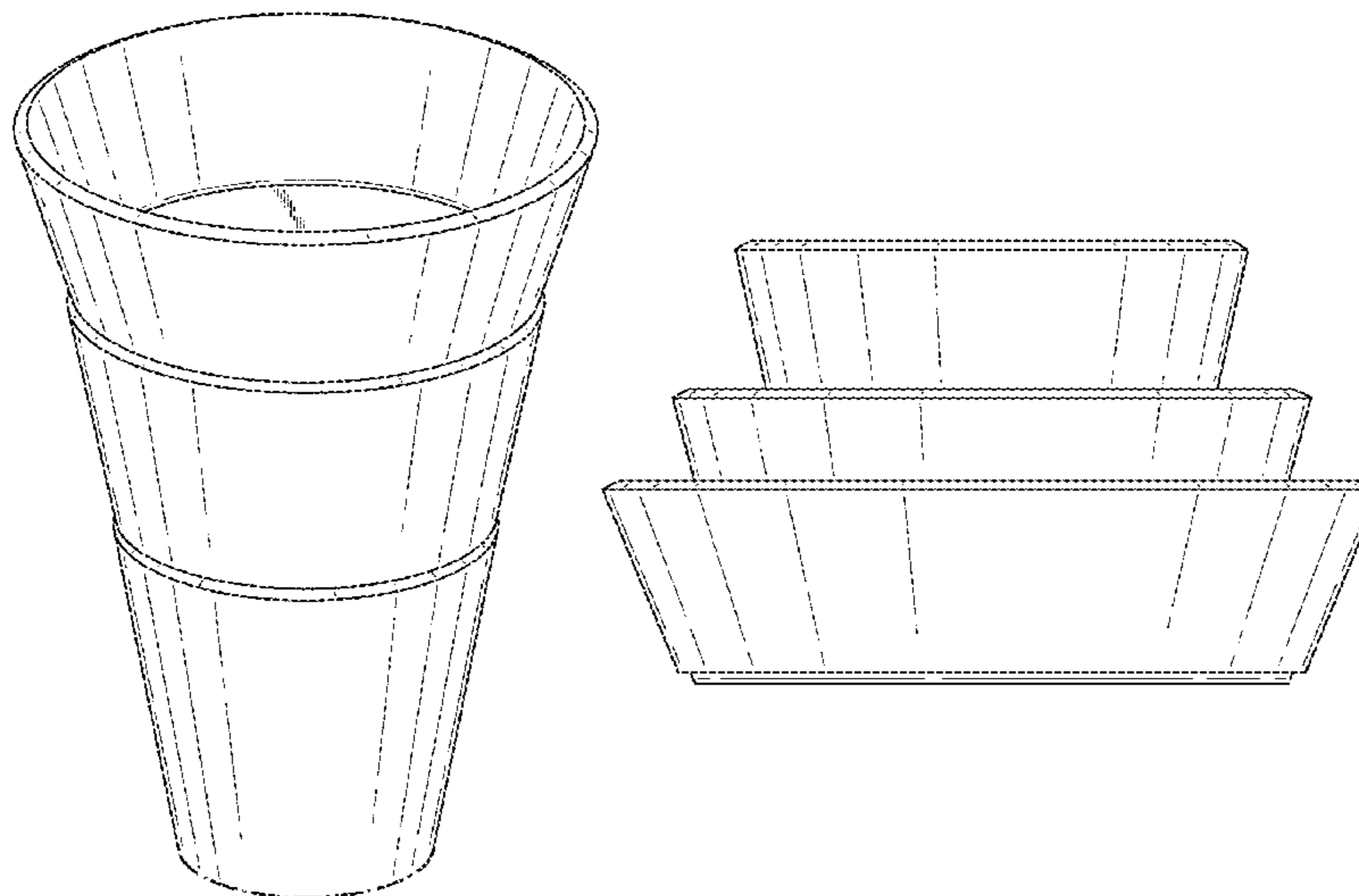
The ornamental design for a set of bowls, as shown and described.

DESCRIPTION

FIG. 1 is a front, perspective view of a set of bowls showing the new design in a first configuration;
 FIG. 2 is a front view thereof, the rear view being identical to the front view;
 FIG. 3 is a right side view thereof, the left side view being identical to the right side view;
 FIG. 4 is a top view thereof; and
 FIG. 5 is a bottom view thereof.
 FIG. 6 is an exploded, front, perspective view of the set of bowls of FIG. 1;
 FIG. 7 is a exploded front view thereof, the rear view being identical to the front view;
 FIG. 8 is a exploded right side view thereof, the left side view being identical to the right side view;
 FIG. 9 is a top view thereof;
 FIG. 10 is a bottom view thereof;
 FIG. 11 is a front, perspective view of the set of bowls of FIG. 1 in a second configuration;
 FIG. 12 is a front view thereof, the rear view being identical to the front view;
 FIG. 13 is a right side view thereof, the left side view being identical to the right side view;
 FIG. 14 is a top view thereof; and,
 FIG. 15 is a bottom view thereof.

The features shown in broken lines are portions of the set of bowls forming no part of the claimed design. The features shown in long dash-short dash bolded broken lines indicate the bounds of the claimed design and otherwise form no part of the claimed design.

1 Claim, 15 Drawing Sheets



(56)

References Cited

U.S. PATENT DOCUMENTS

D309,116 S * 7/1990 Marshall D10/62
 4,989,742 A 2/1991 Powell
 D318,596 S * 7/1991 Watts D7/505
 5,125,363 A 6/1992 McGaha
 5,154,303 A * 10/1992 Jordan 220/23.86
 D333,409 S * 2/1993 Dietzmann D7/507
 D355,735 S * 2/1995 Shaffer et al. D32/53
 5,429,231 A 7/1995 McSpadden
 D368,627 S 4/1996 McSpadden
 5,678,716 A * 10/1997 Umiker 220/4.26
 D390,752 S * 2/1998 DeCoster D7/505
 D425,378 S 5/2000 Gilbertson
 6,315,126 B1 11/2001 Cornelissen
 D473,752 S * 4/2003 Kerr D7/505
 6,729,472 B2 5/2004 Stucke et al.
 D504,799 S 5/2005 Lawson et al.
 D512,604 S * 12/2005 Panepinto D7/505
 D514,442 S 2/2006 Lowe
 D539,093 S 3/2007 Robinson
 D547,119 S 7/2007 Robinson
 D568,102 S 5/2008 Ruiz de Azua
 D587,068 S * 2/2009 Rocco D7/507

D593,800 S 6/2009 Hone
 D611,306 S 3/2010 Zack et al.
 D646,525 S 10/2011 Molayem
 D647,369 S * 10/2011 Bryman et al. D7/507
 D661,549 S 6/2012 Kemper et al.
 D682,617 S * 5/2013 Miksovsky et al. D7/512
 2007/0205190 A1 9/2007 Yang
 2008/0206437 A1 8/2008 Perry

OTHER PUBLICATIONS

“Artesia Chip and Dip”, printed from <http://www.crateandbarrel.com/dining-and-entertaining/chip-and-dips/1> on Oct. 10, 2011 (1 page).
 “Grimm’s Spiel & Holz Wooden Rainbow Nesting Bowls Set”, printed from www.blueberryforest.com/grimms-spiel-und-holz/grimms-rainbow-nesting-bowls.htm publicly available as early as Jan. 15, 2013 per <http://web.archive.org> (2 pages).
 “Stoneware Pottery Chip and Dip Sets”, printed from www.outofthefirestudio.com/chip_and_dip.html on Oct. 10, 2011 (2 pages).
 Office Action from Canadian Patent Application No. 152,045, mailed Mar. 31, 2014 (2 pages).

* cited by examiner

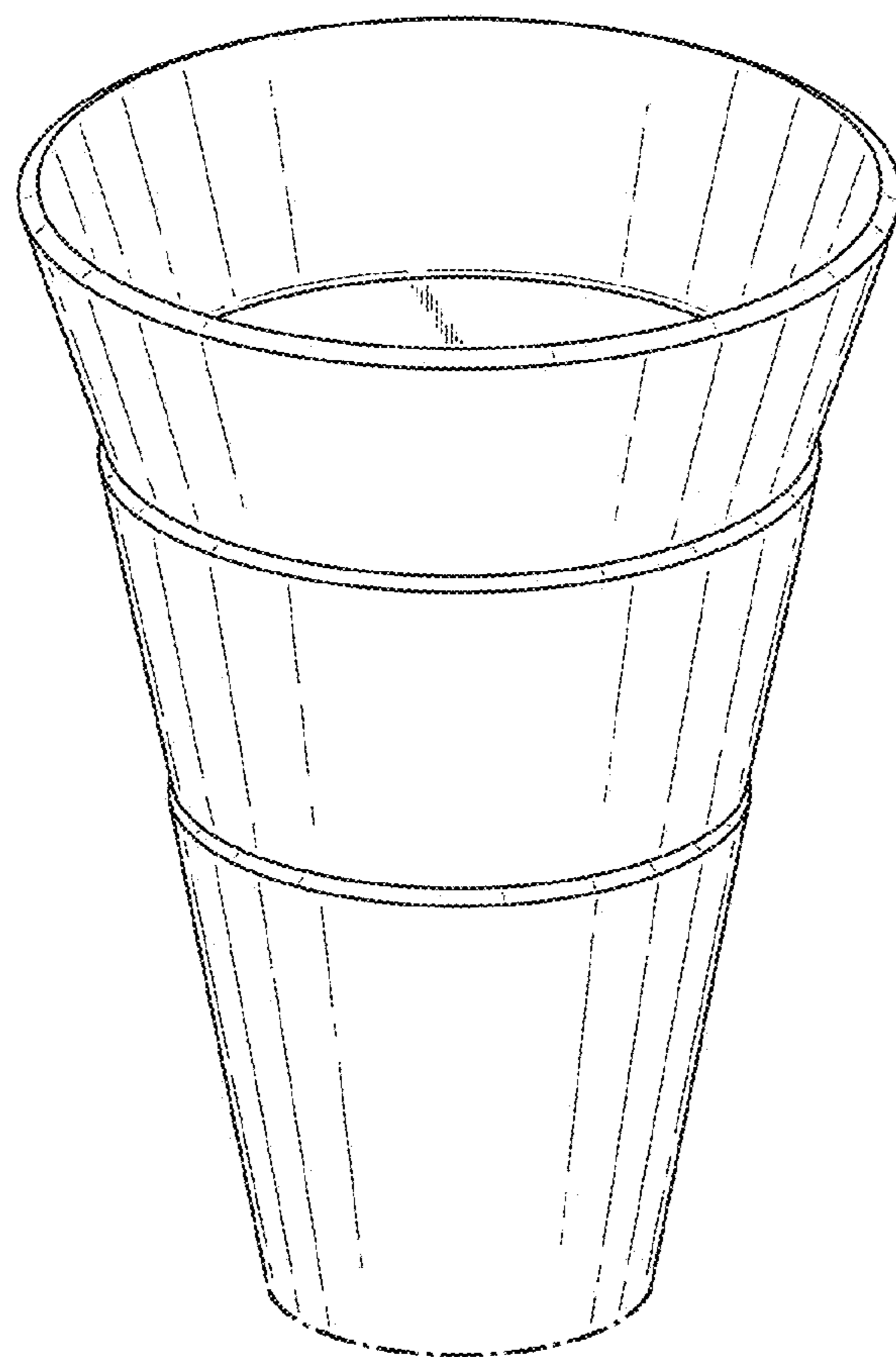


FIG. 1

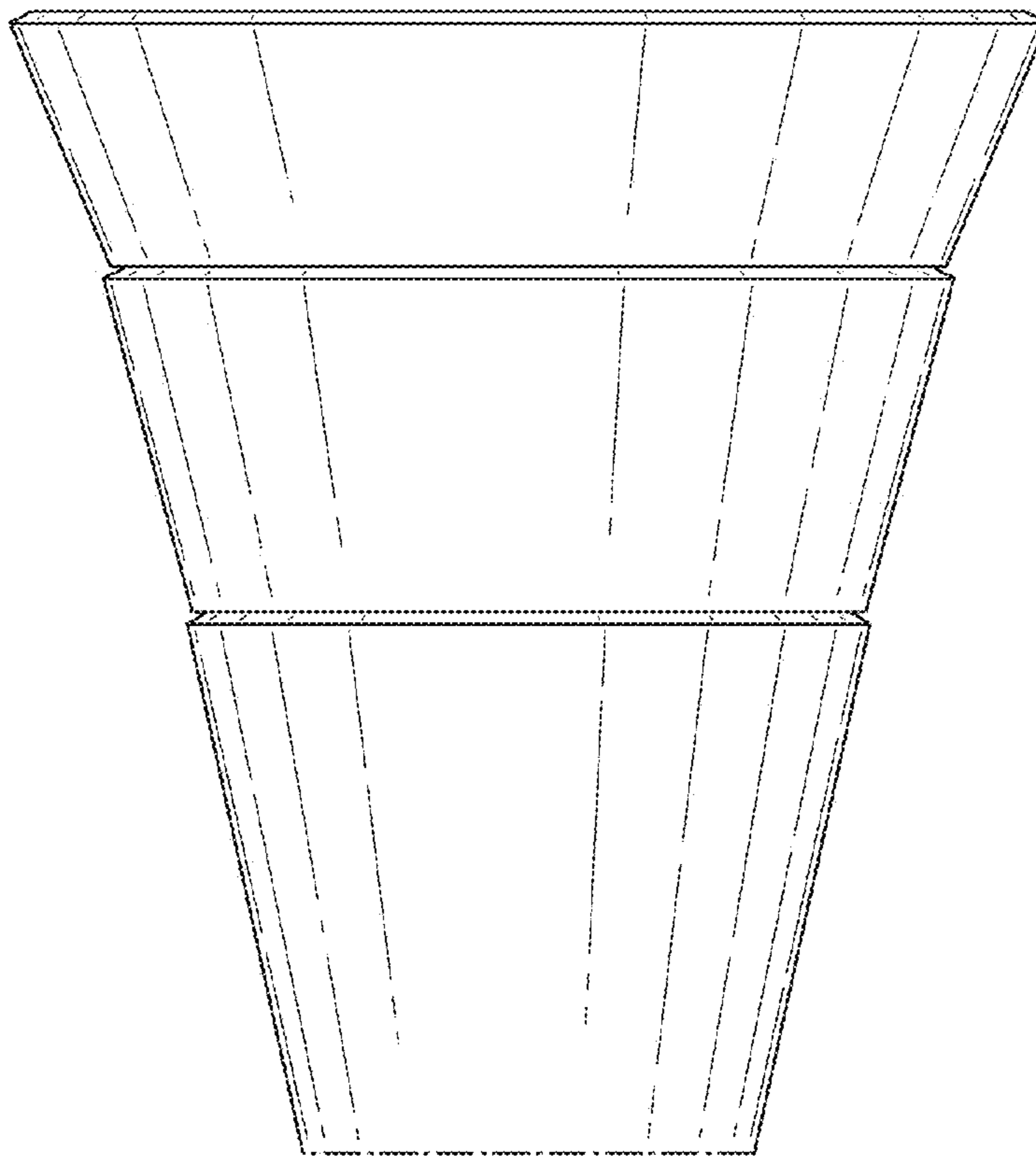


FIG. 2

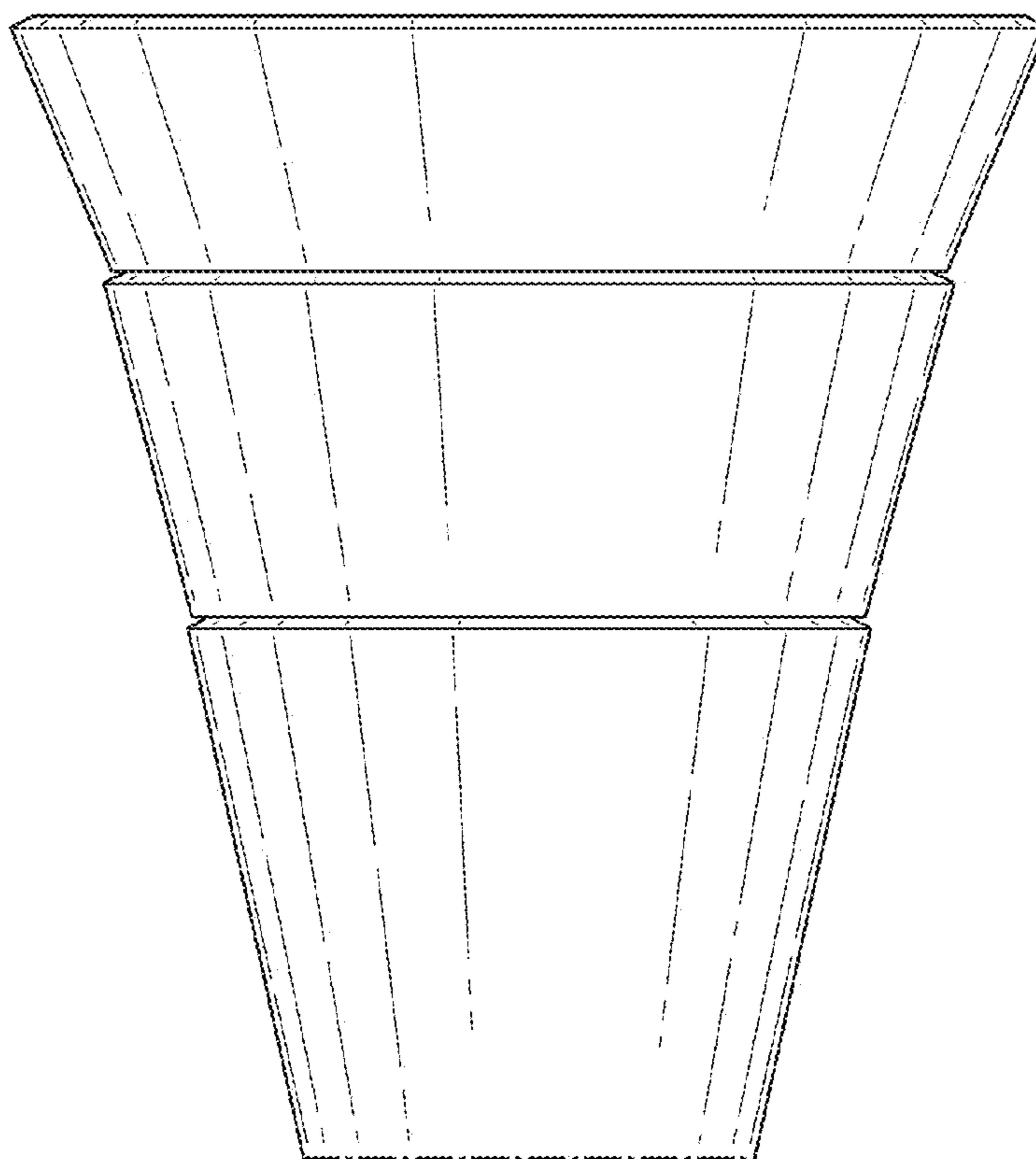


FIG. 3

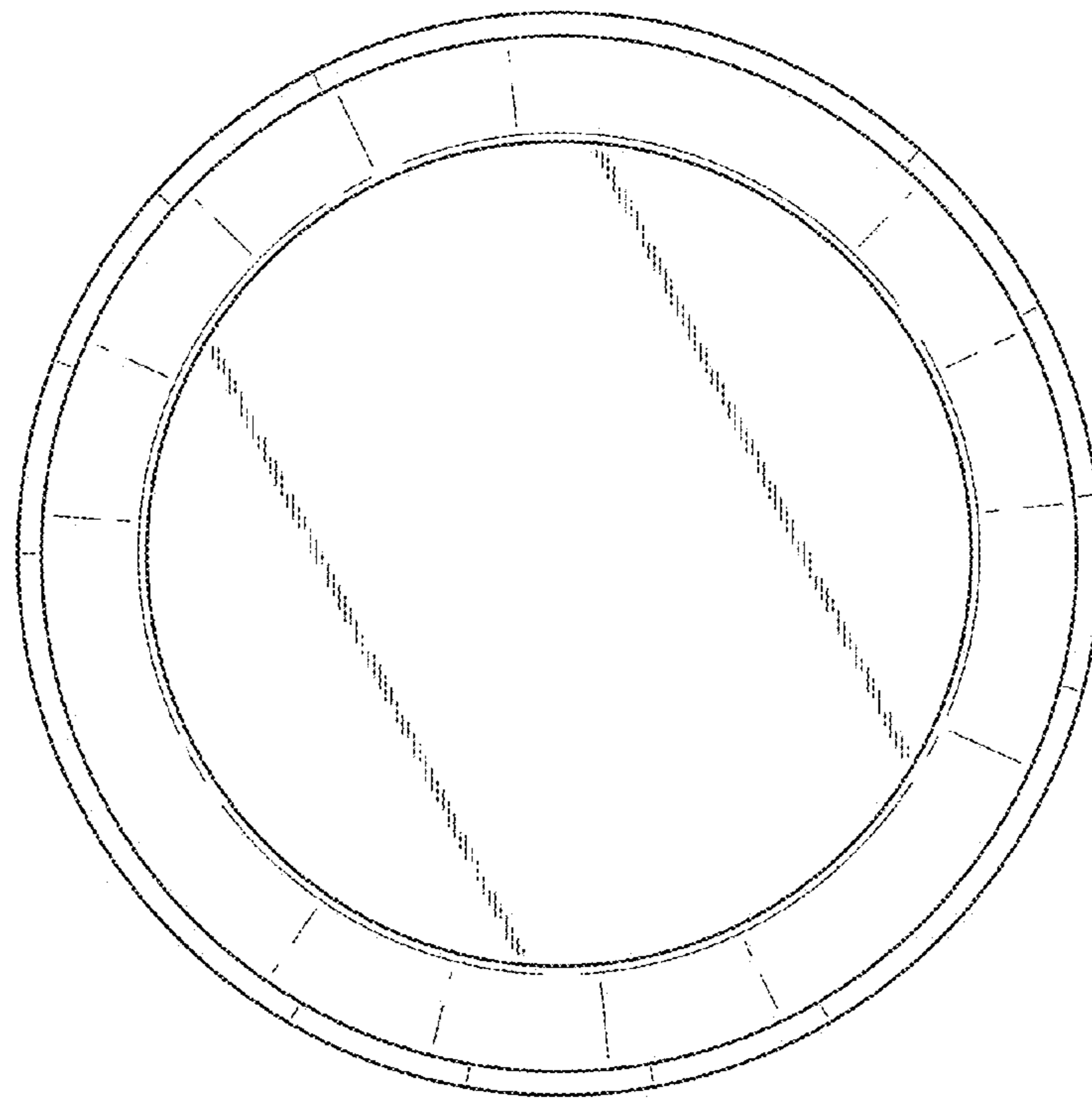


FIG. 4

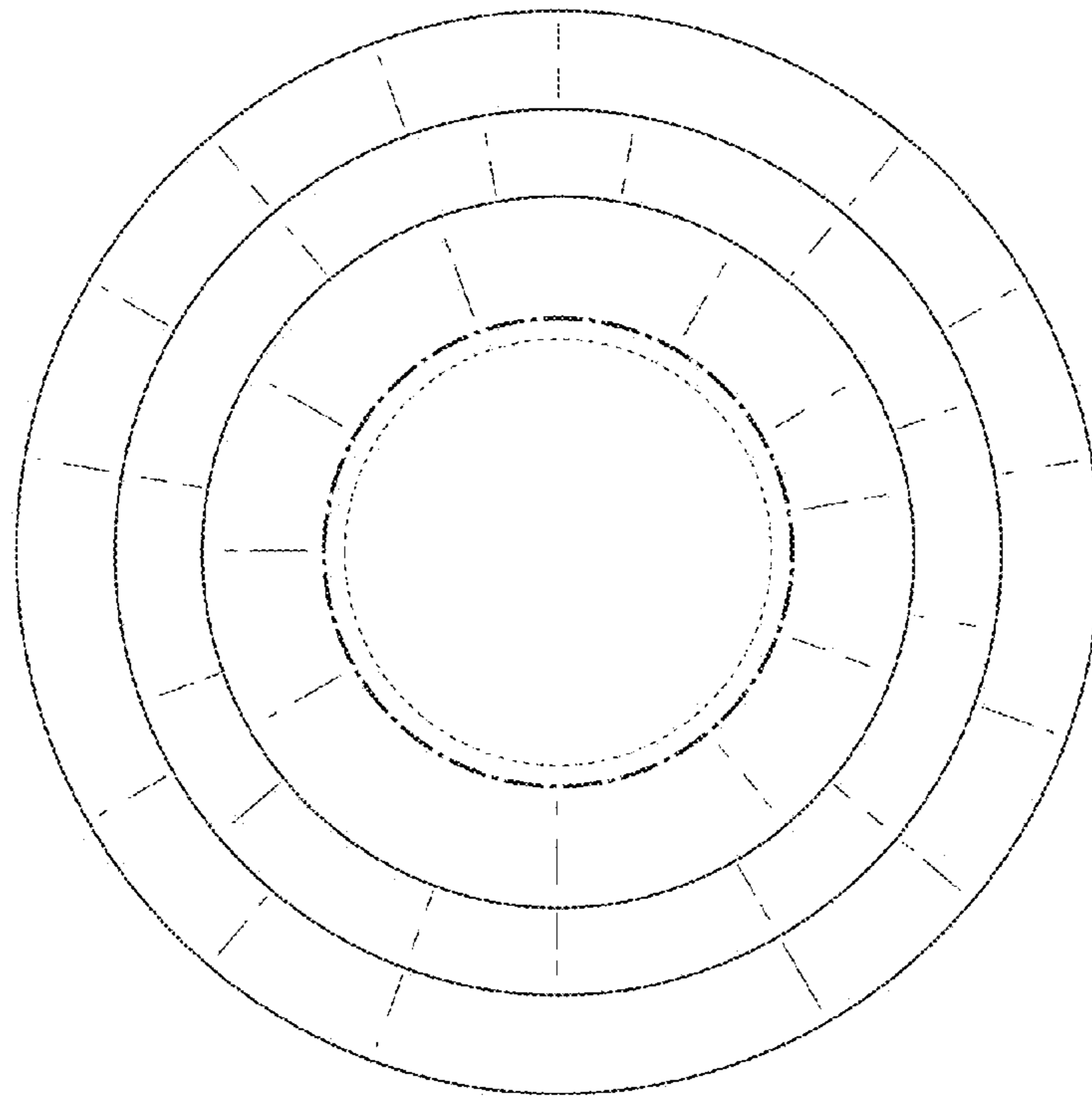


FIG. 5

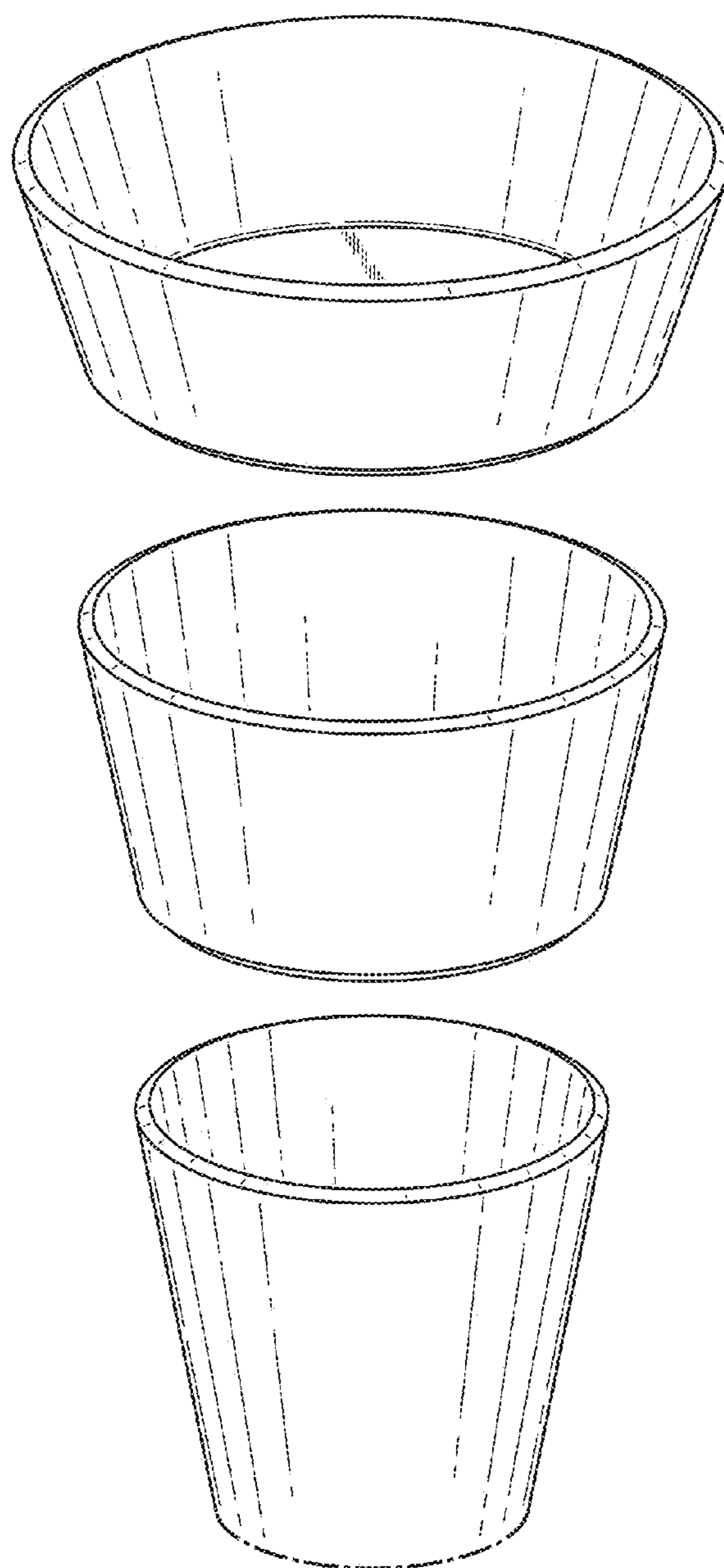


FIG. 6

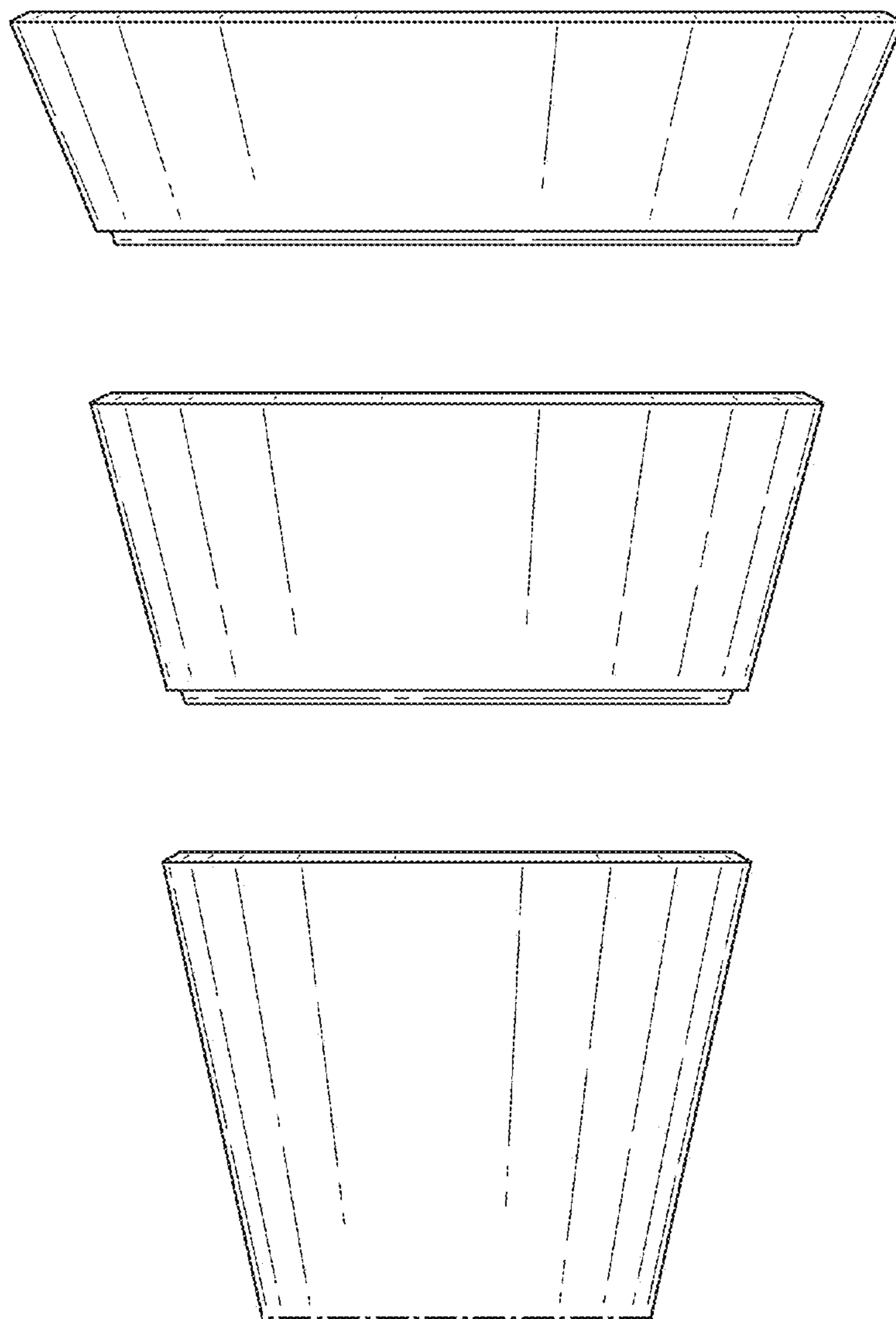


FIG. 7

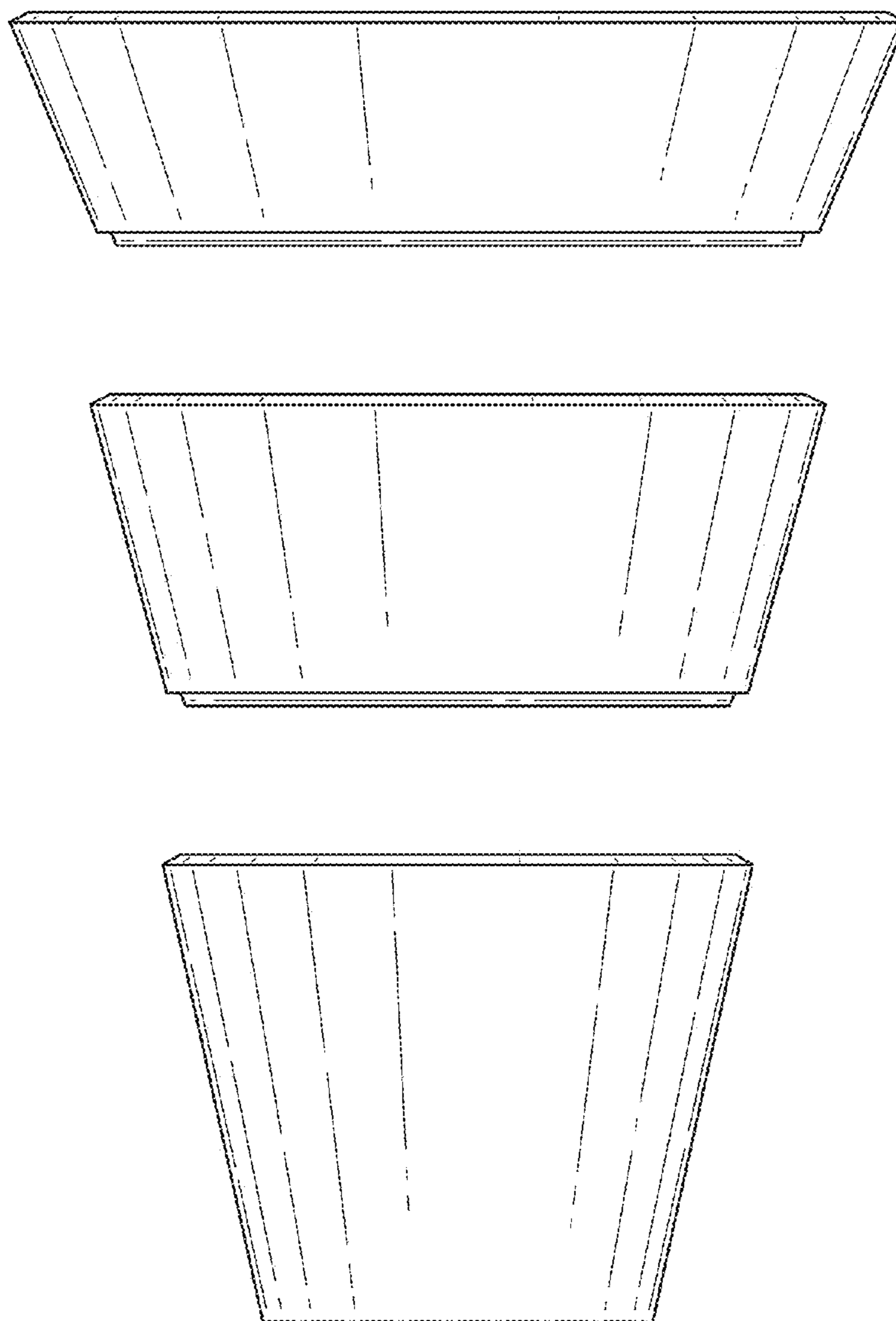


FIG. 8

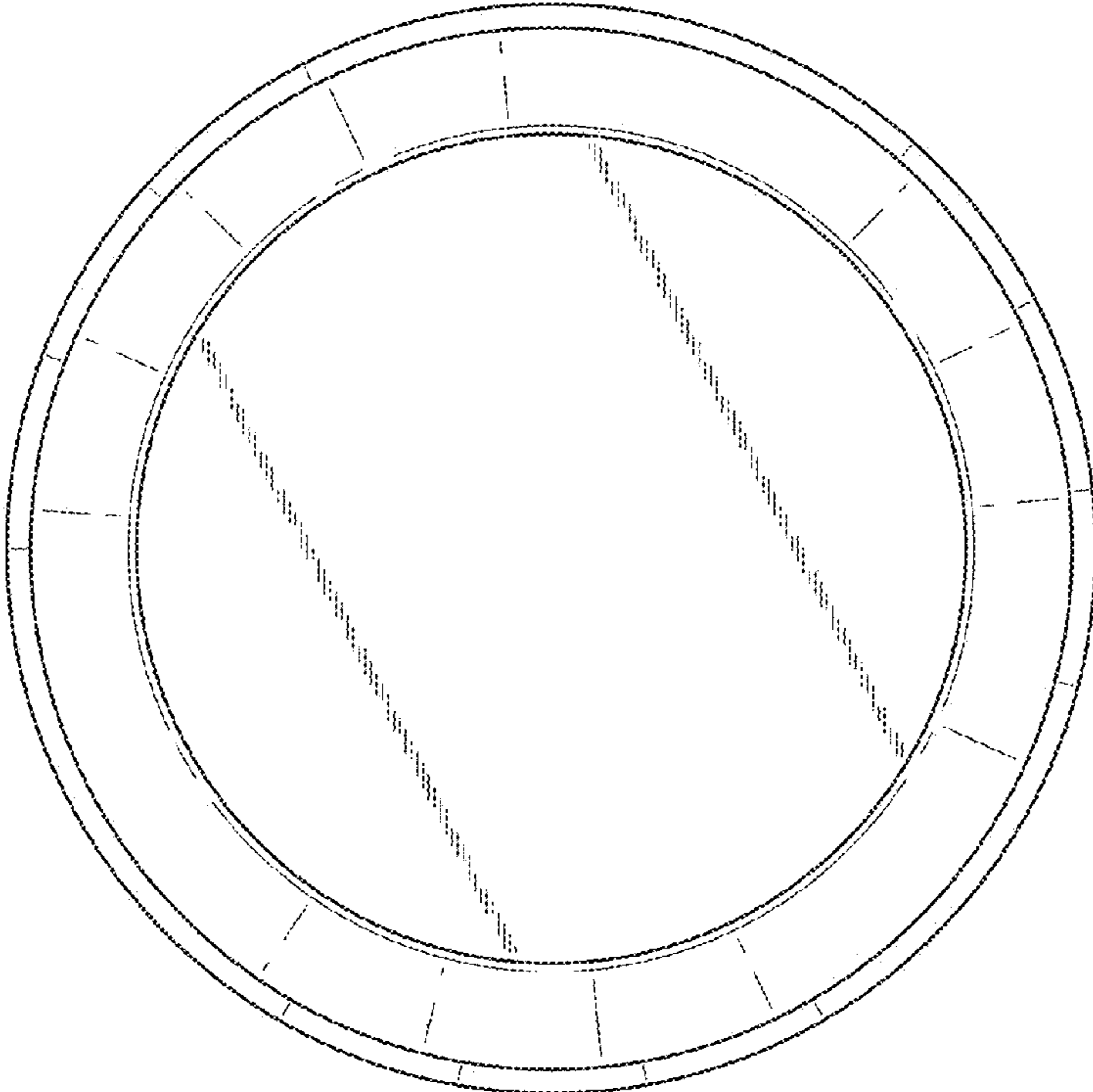


FIG. 9

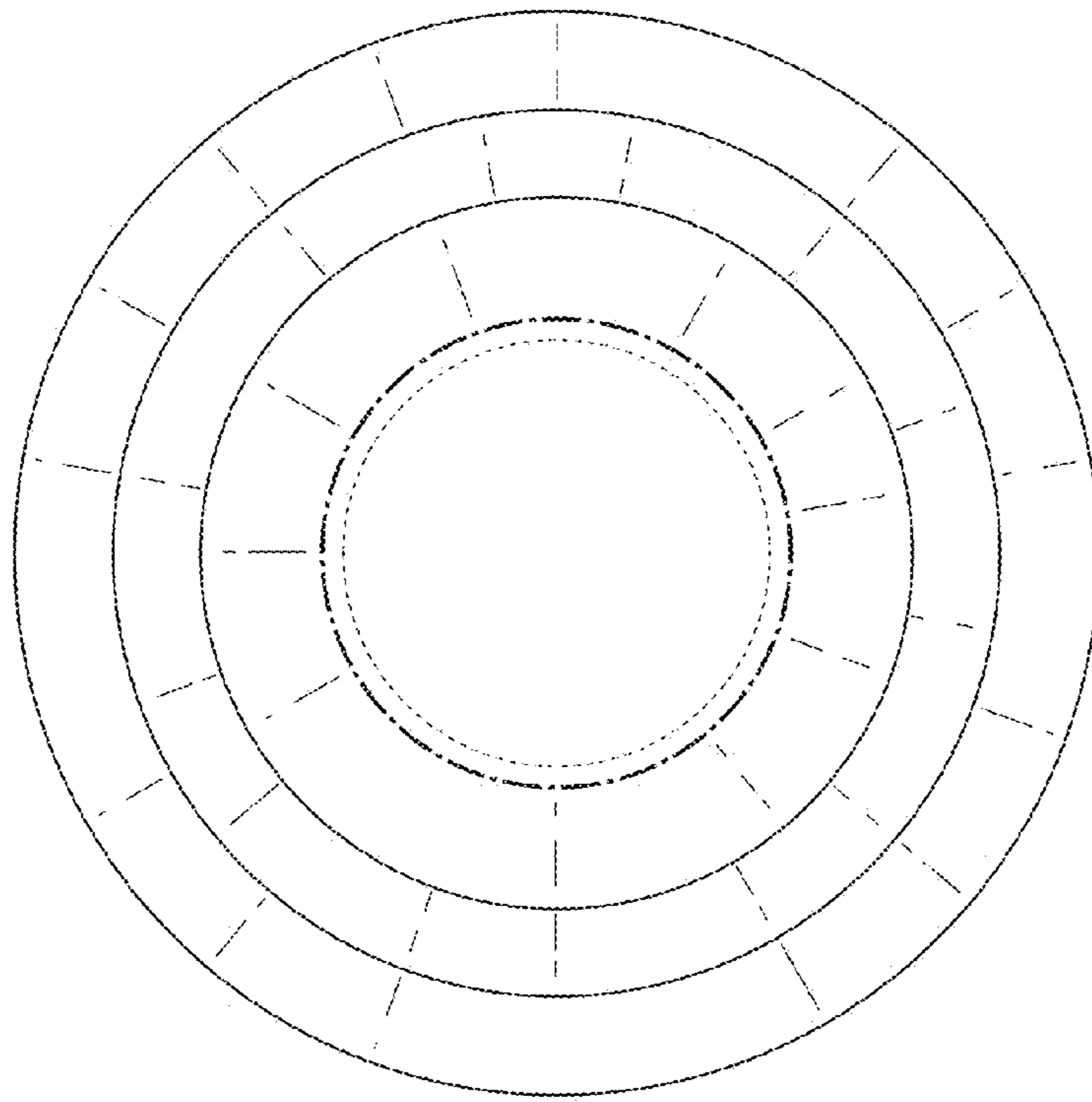


FIG. 10

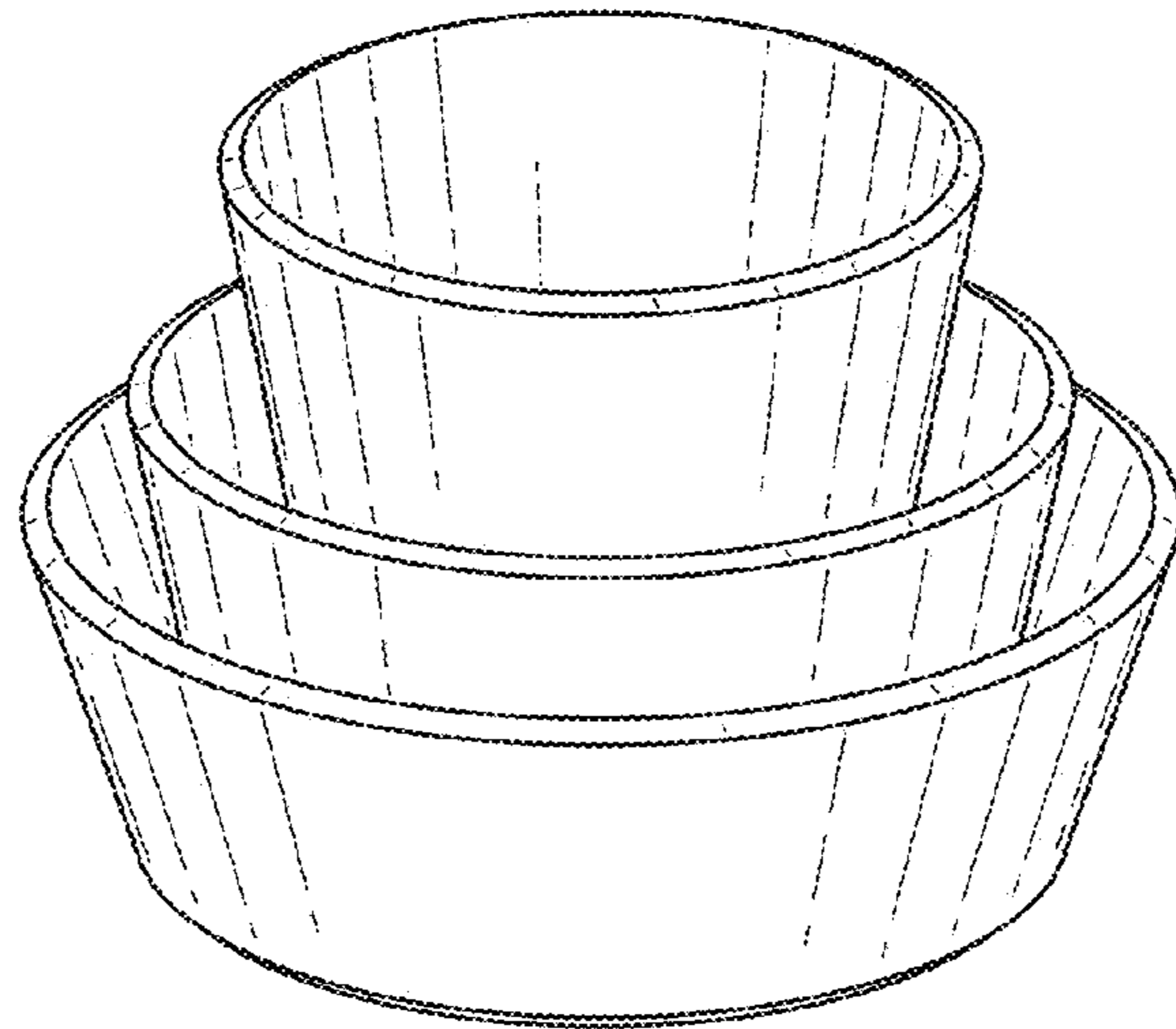


FIG. 11

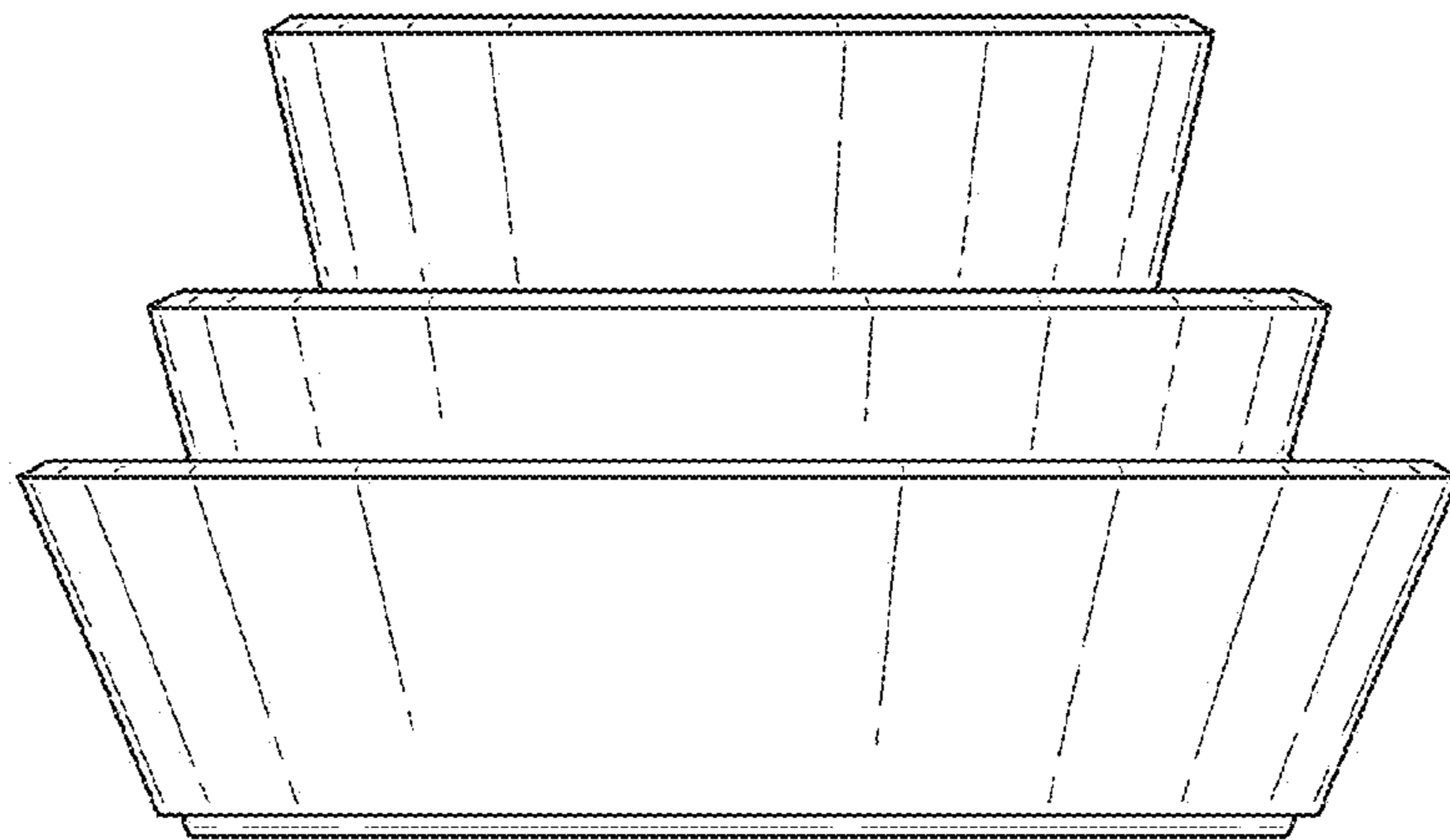


FIG. 12

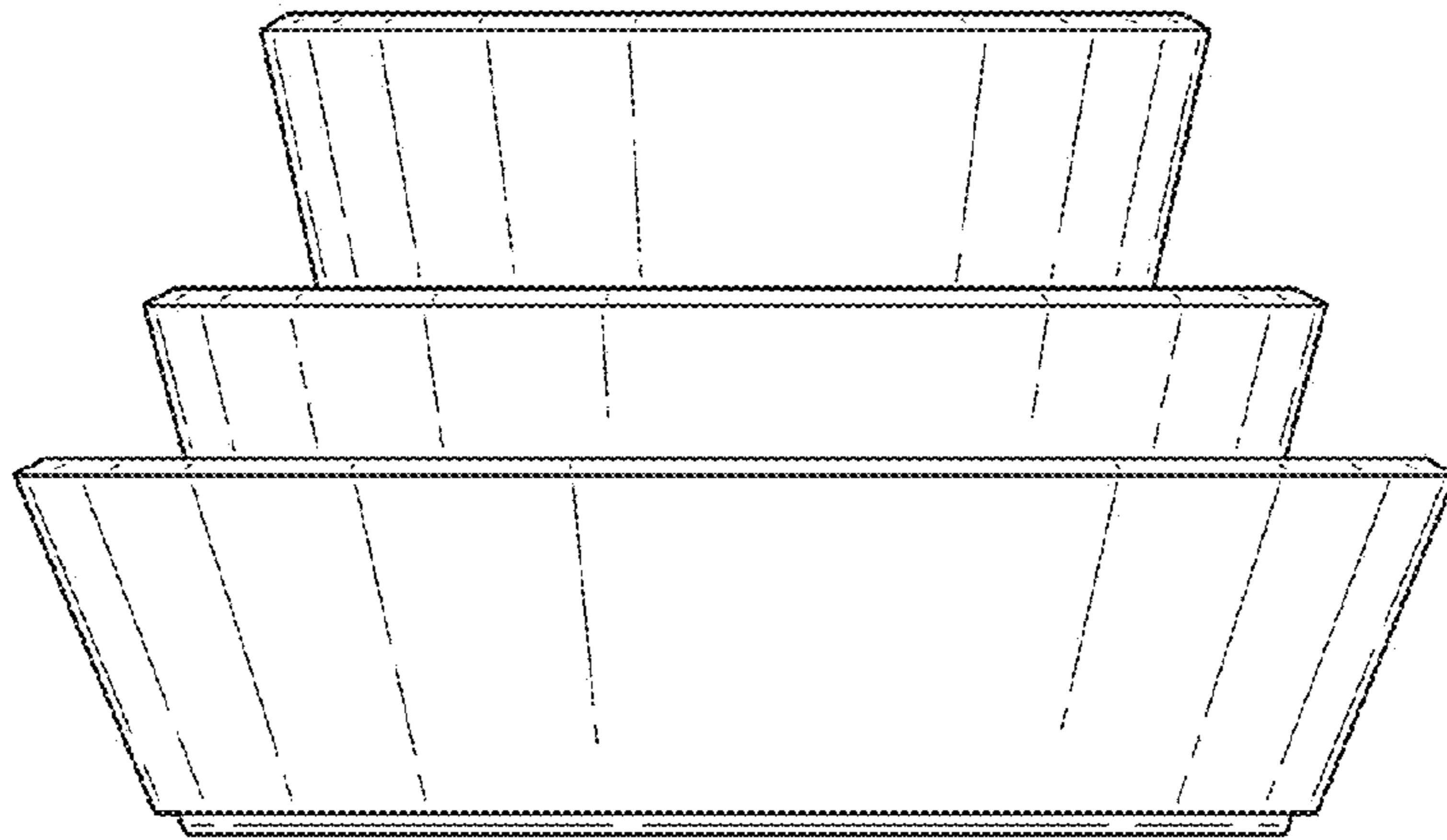


FIG. 13

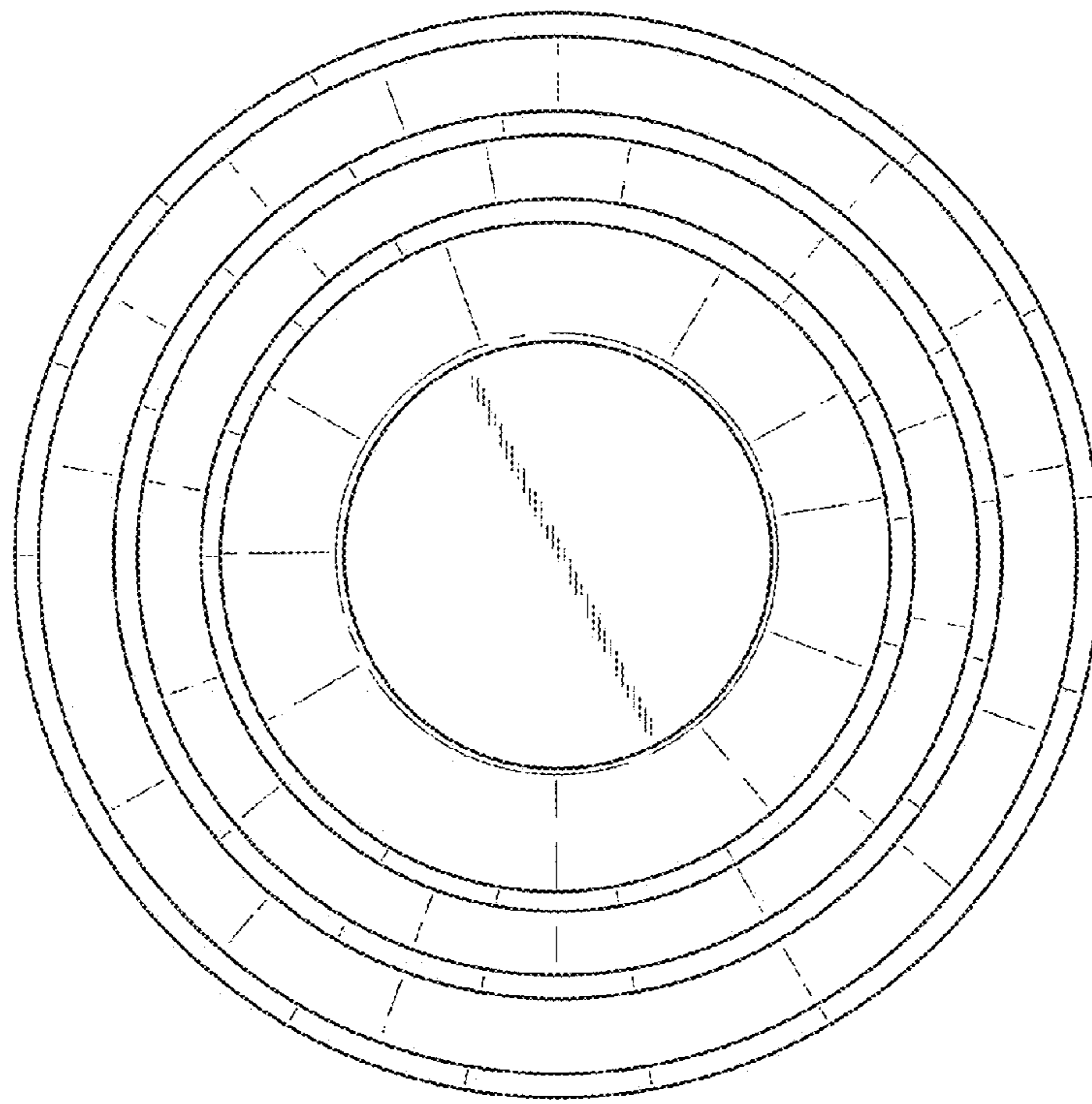


FIG. 14

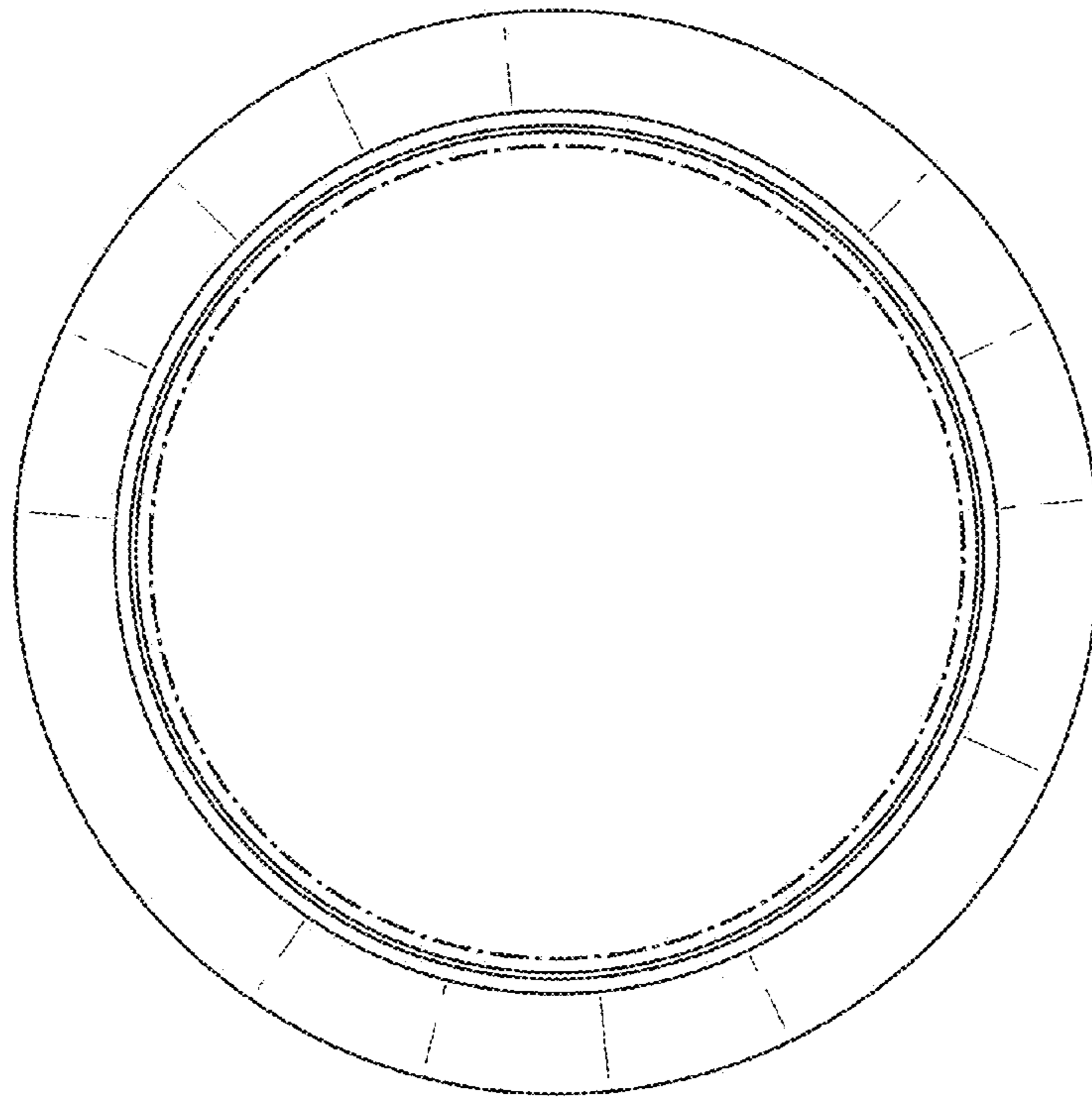


FIG. 15