



US00D717113S

(12) **United States Design Patent**
Furuta et al.

(10) **Patent No.:** **US D717,113 S**

(45) **Date of Patent:** **** Nov. 11, 2014**

(54) **SUSCEPTOR WITH HEATER**

(56) **References Cited**

(71) Applicant: **Applied Materials, Inc.**, Santa Clara, CA (US)

U.S. PATENT DOCUMENTS

(72) Inventors: **Gaku Furuta**, Sunnyvale, CA (US);
John M. White, Hayward, CA (US);
Robin L. Tiner, Santa Cruz, CA (US);
Suhail Anwar, Saratoga, CA (US); **Soo Young Choi**, Fremont, CA (US)

3,237,552	A *	3/1966	Cronheim	99/340
5,355,869	A *	10/1994	Pickard et al.	126/263.01
D489,933	S *	5/2004	Rummel et al.	D7/346
D554,945	S *	11/2007	Chung	D7/409
D564,838	S *	3/2008	Shin et al.	D7/408
7,768,765	B2	8/2010	Nguyen et al.	

(Continued)

(73) Assignee: **Applied Materials, Inc.**, Santa Clara, CA (US)

OTHER PUBLICATIONS

U.S. Appl. No. 29/430,967, filed Aug. 31, 2012.

(**) Term: **14 Years**

Primary Examiner — Ricky Pham

(21) Appl. No.: **29/448,550**

(74) *Attorney, Agent, or Firm* — Patterson & Sheridan, LLP

(22) Filed: **Mar. 13, 2013**

(57) **CLAIM**

The ornamental design for a susceptor with heater, as shown and described.

Related U.S. Application Data

DESCRIPTION

(62) Division of application No. 29/430,967, filed on Aug. 31, 2012.

(51) **LOC (10) Cl.** **07-02**

(52) **U.S. Cl.**
USPC **D7/409**

(58) **Field of Classification Search**

USPC D7/323, 346, 354–361, 388, 408–409,
D7/543, 545, 549, 550.1, 553.1–553.8,
D7/554.1–554.4, 555, 584, 586;
D9/430–433, 455–456, 715, 737,
D9/756–762; D25/199; 99/324, 340, 422,
99/425–426, 432, DIG. 15; 118/728;
126/93, 263.01; 219/450.1, 620–622,
219/725, 734; 220/500, 506–507,
220/573.1–573.5, 574–575, 607–608,
220/752–753, 912; 229/903–904, 906;
431/328

FIG. 1 is an isometric bottom view of a susceptor with heater.
FIG. 2 is an isometric top view of the susceptor with heater of FIG. 1.

FIG. 3 is a bottom plan view of the susceptor with heater of FIG. 1.

FIG. 4 is a top plan view of the susceptor with heater of FIG. 1.

FIG. 5 is a side elevation view of the susceptor with heater of FIG. 1. The opposing side elevation view is a mirror-image.

FIG. 6 is a side elevation view of the susceptor with heater of FIG. 1. The opposing side elevation view is a mirror-image.

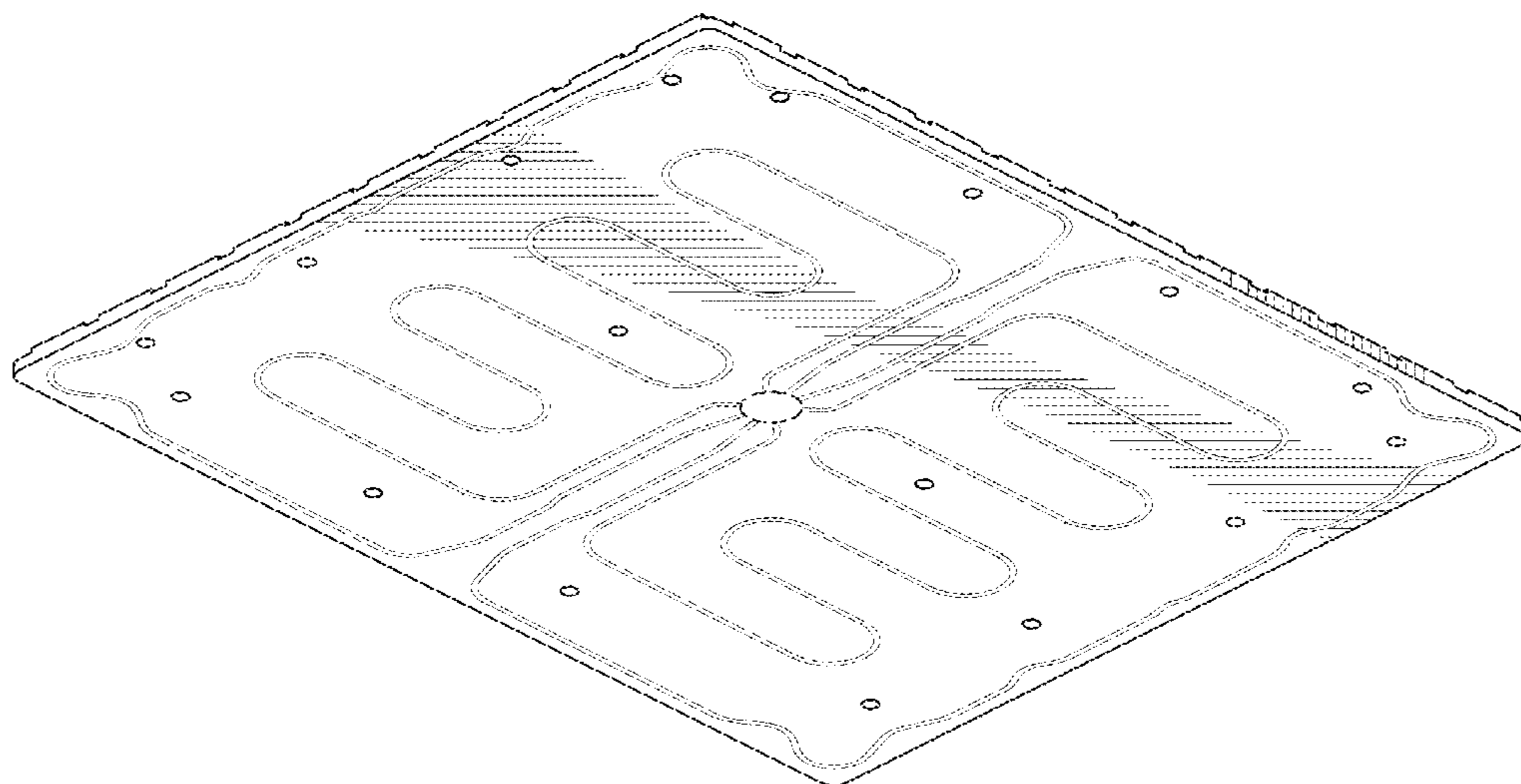
FIG. 7 is a cross-sectional view taken along section 7-7 of FIG. 4; and,

FIG. 8 is an enlarged plan view of a portion of the susceptor with heater of FIG. 3.

The broken lines in the Figures form no part of the claimed design.

See application file for complete search history.

1 Claim, 5 Drawing Sheets



(56)

References Cited

U.S. PATENT DOCUMENTS

D651,043 S *	12/2011	Sarnoff et al.	D7/409	8,709,162 B2 *	4/2014	Leung et al.	118/728
8,466,396 B2 *	6/2013	Carll et al.	219/734	D706,577 S *	6/2014	Funnell et al.	D7/409
8,490,615 B2 *	7/2013	Cudnohoske et al.	126/93	2003/0044621 A1	3/2003	Won et al.	
D701,329 S *	3/2014	Tiner et al.	D25/199	2006/0003279 A1 *	1/2006	Best	431/328
				2007/0029642 A1	2/2007	Inagawa et al.	
				2007/0039942 A1	2/2007	Leung et al.	

* cited by examiner

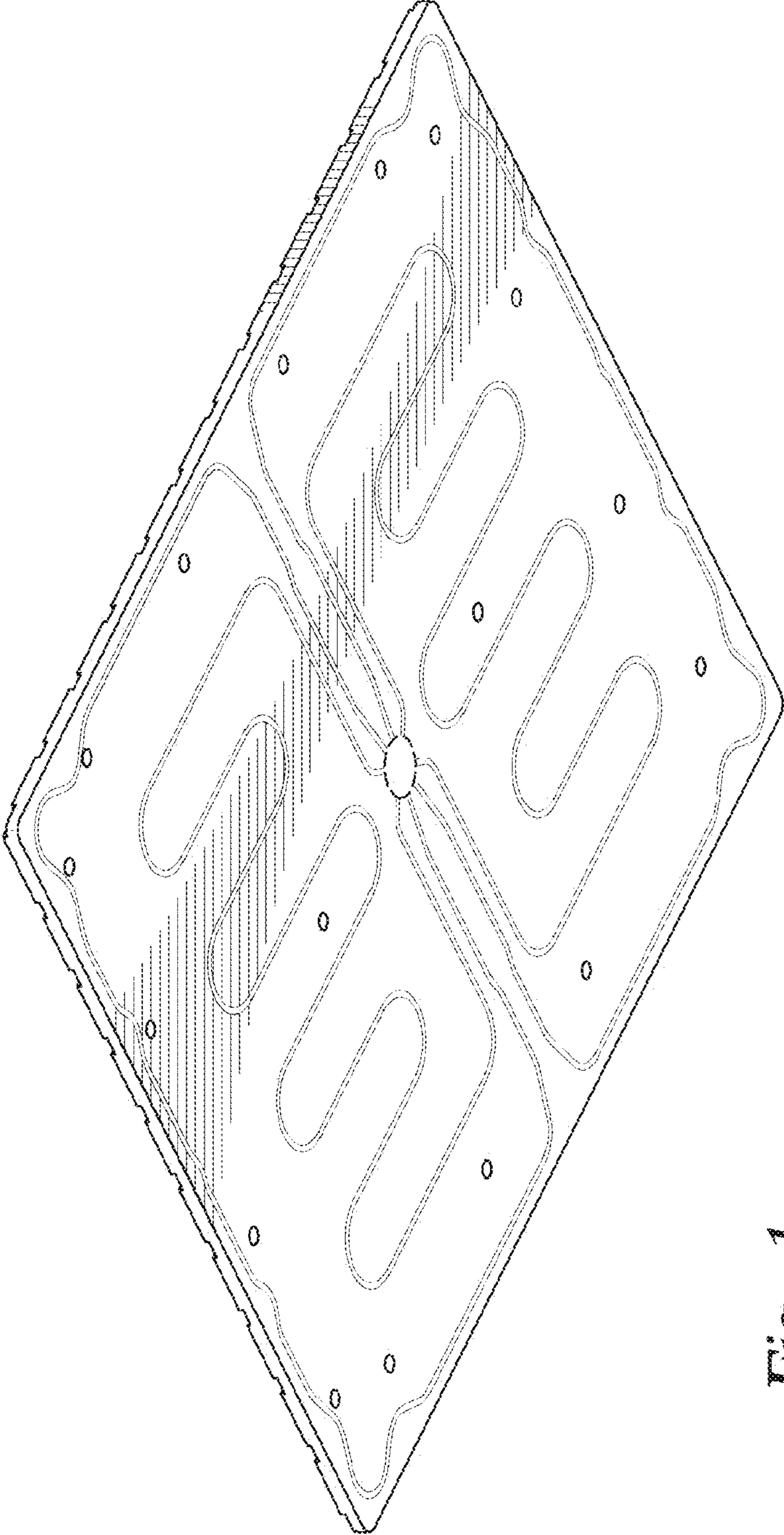


Fig. 1

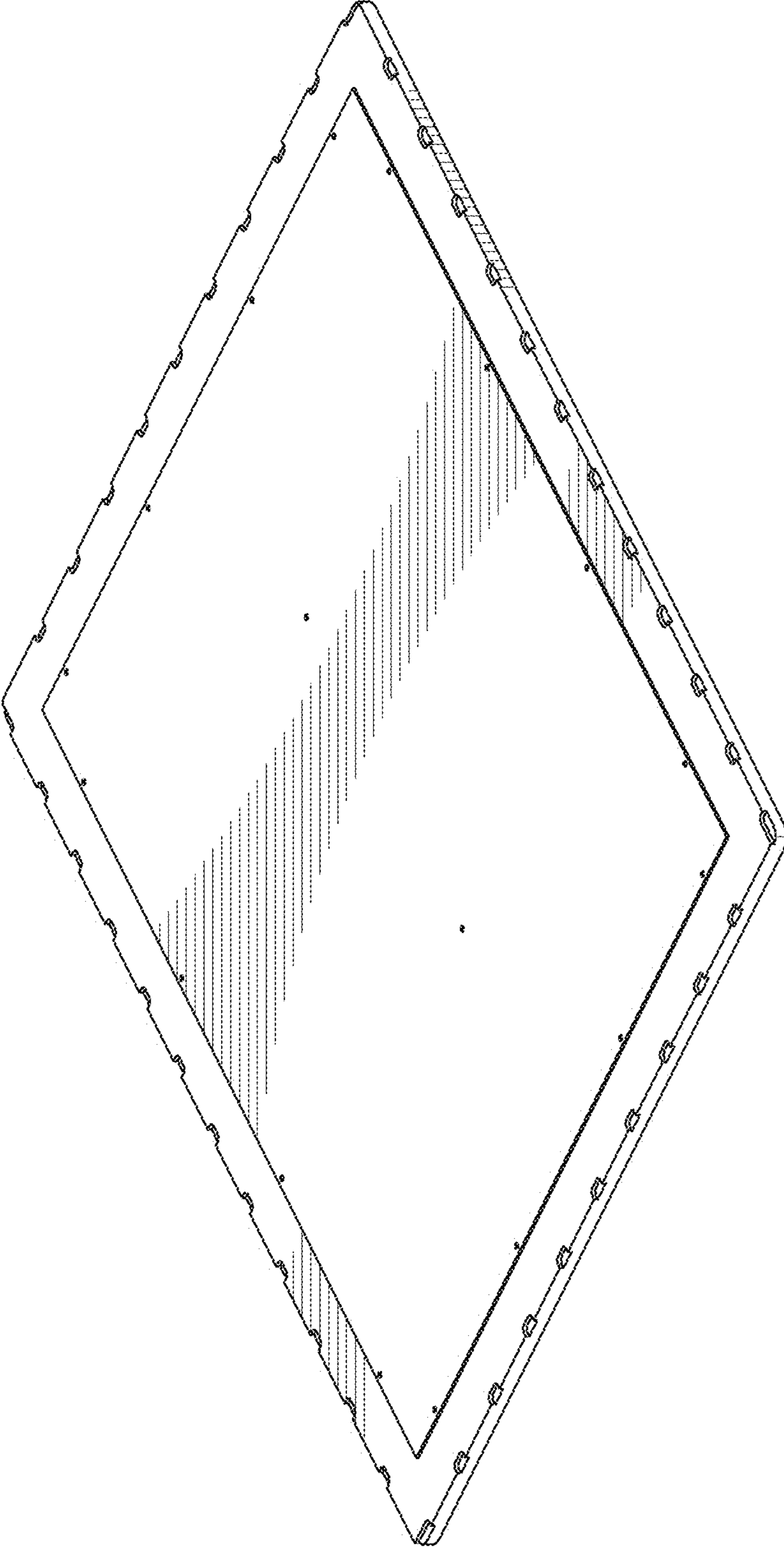


Fig. 2

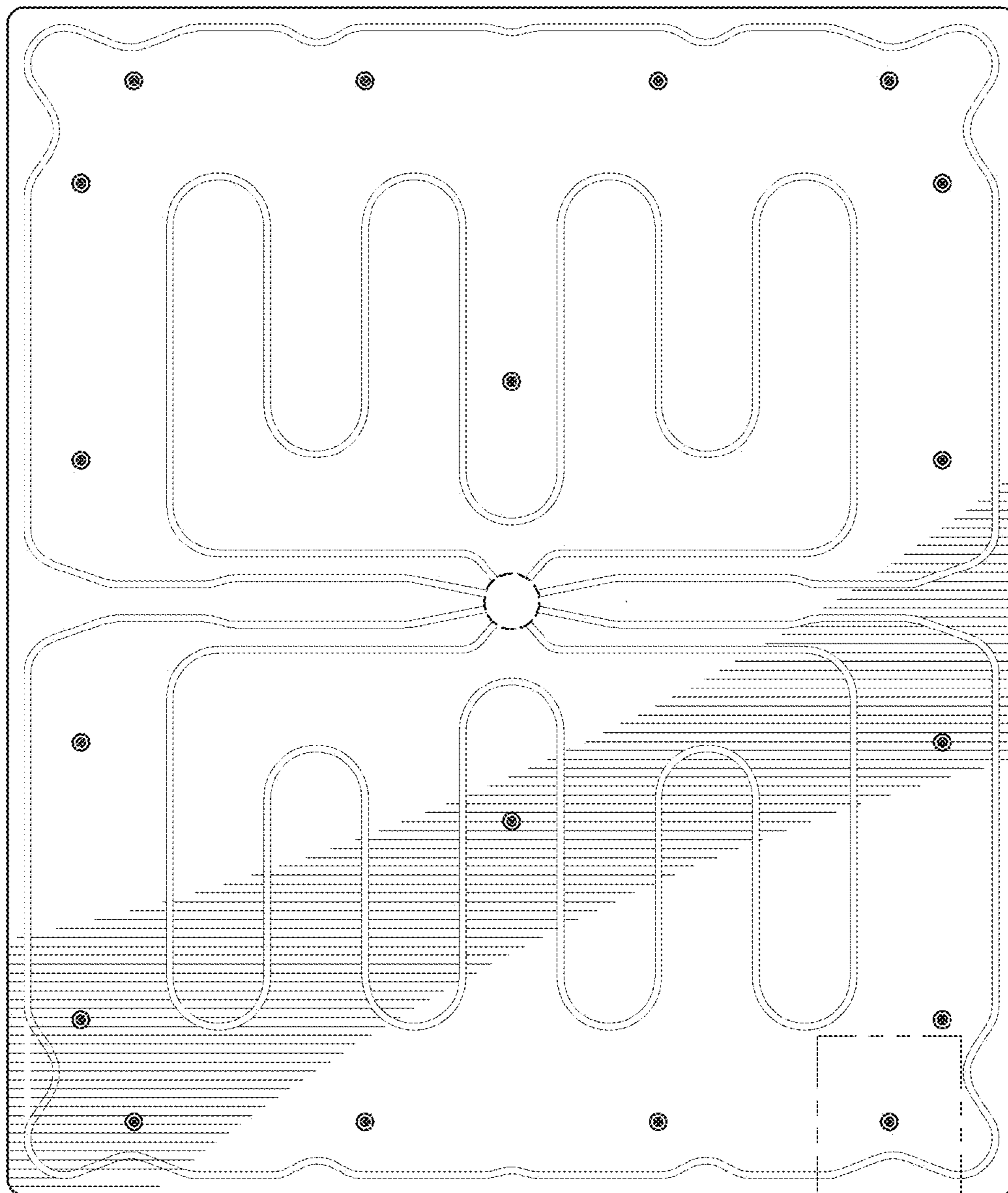


Fig. 8

Fig. 3

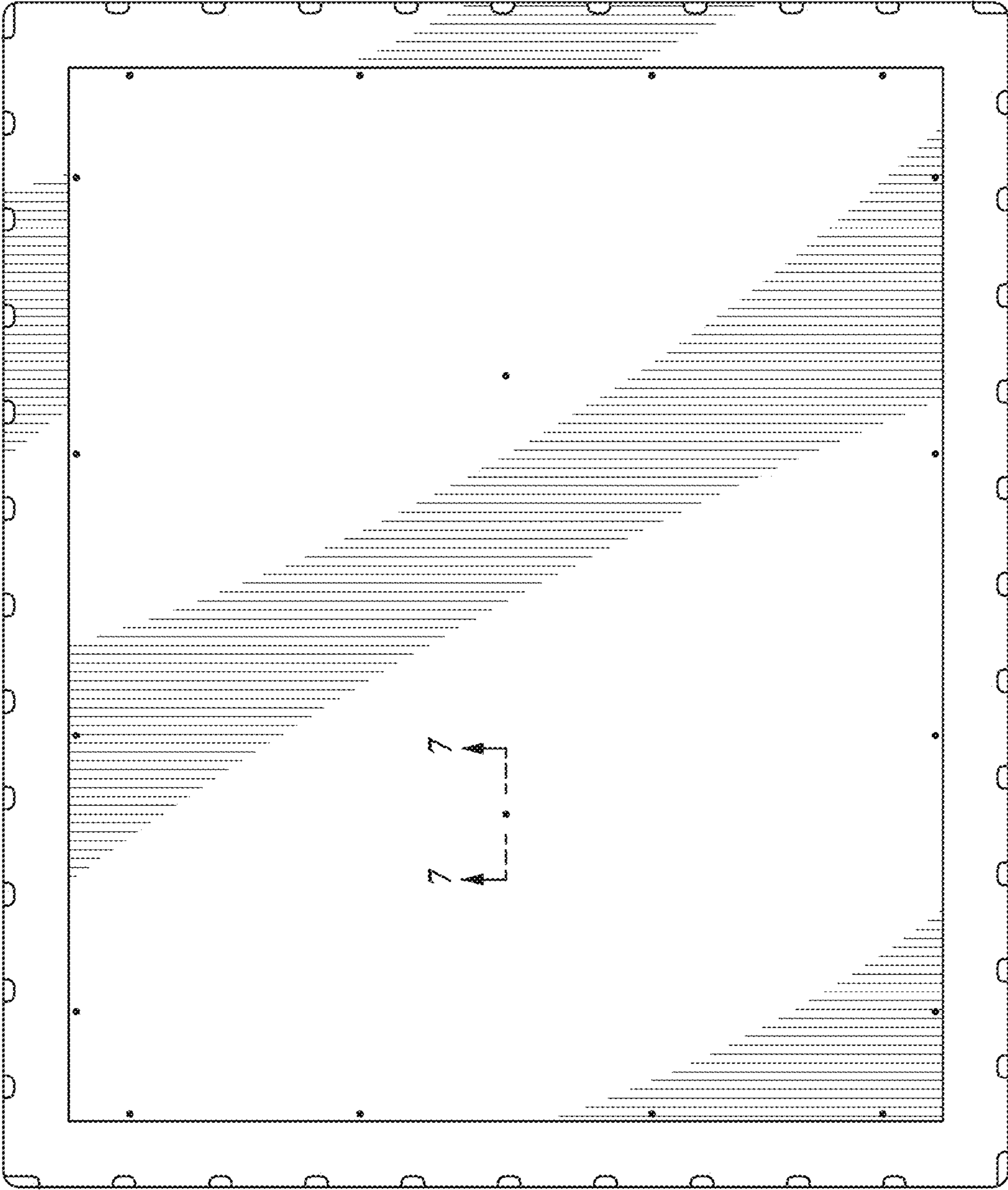


Fig. 4



Fig. 5

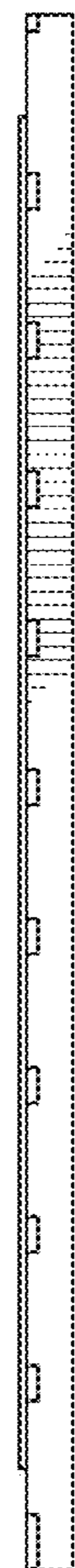


Fig. 6

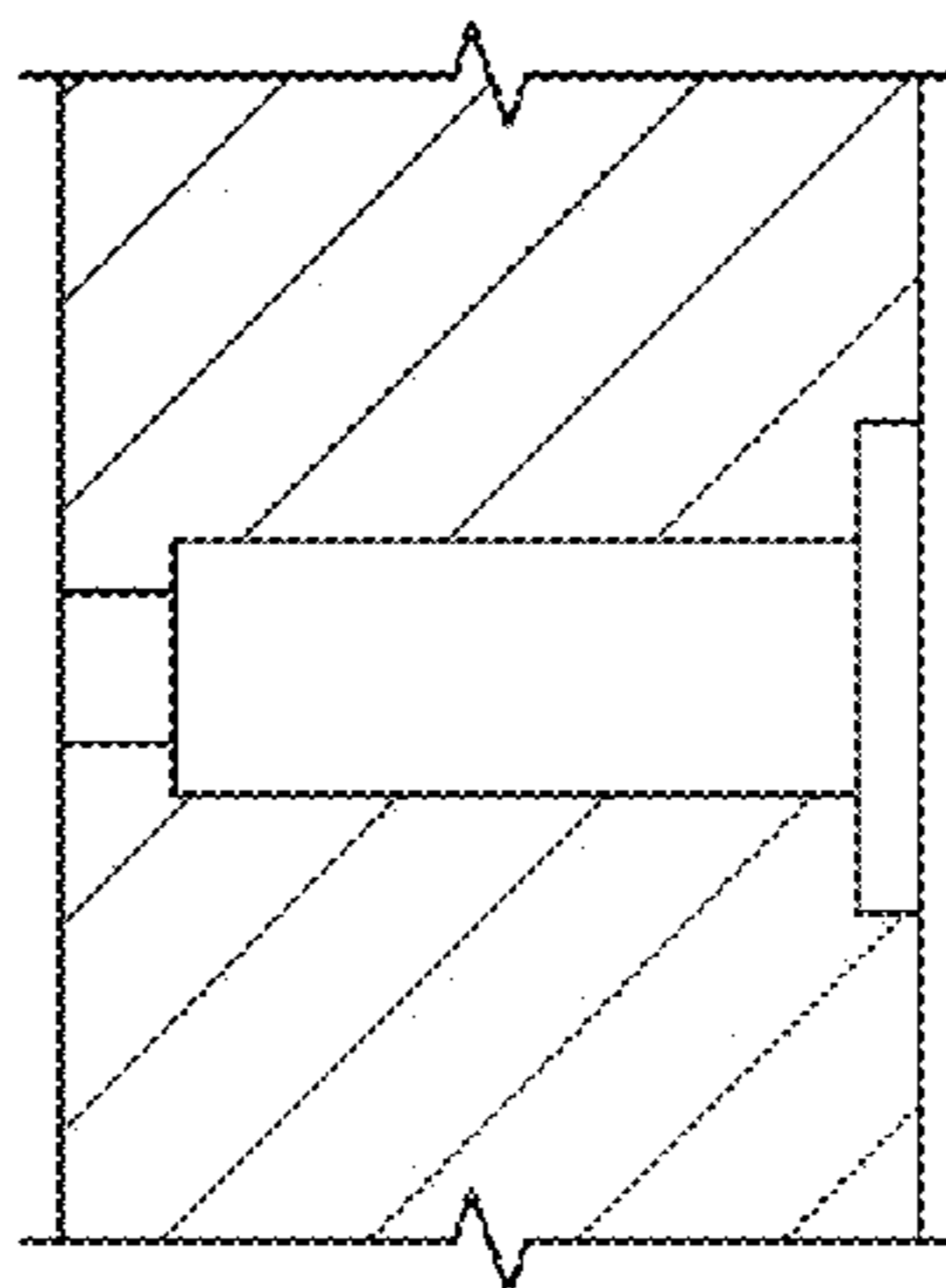


Fig. 7

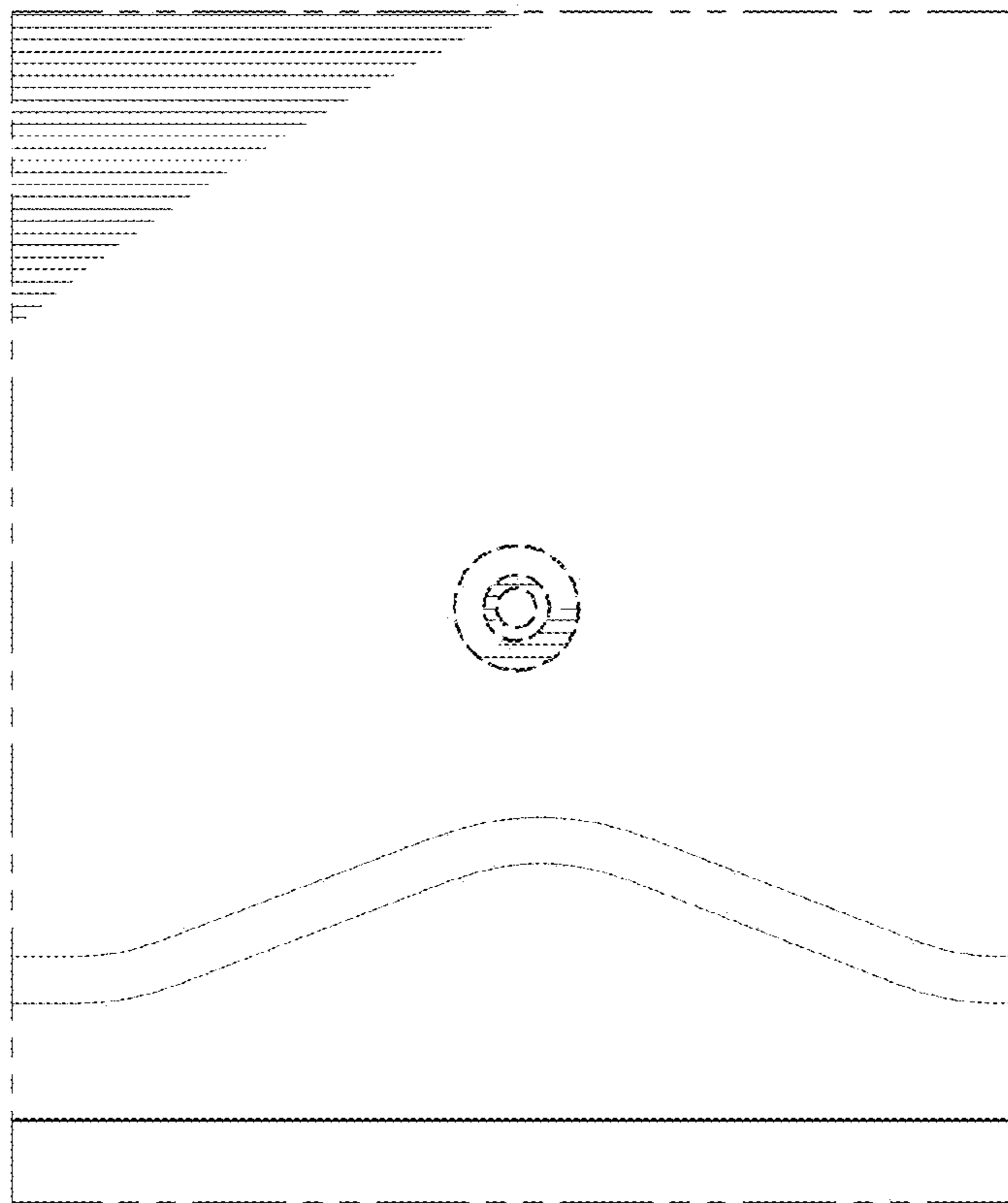


Fig. 8

UNITED STATES PATENT AND TRADEMARK OFFICE
CERTIFICATE OF CORRECTION

PATENT NO. : D717,113 S
APPLICATION NO. : 29/448550
DATED : November 11, 2014
INVENTOR(S) : Furuta et al.

Page 1 of 1

It is certified that error appears in the above-identified patent and that said Letters Patent is hereby corrected as shown below:

Title Page, Related U.S. Application Data item (62):

Please delete "Division of application No. 29/430,967, filed on Aug. 31, 2012".

Signed and Sealed this
Twelfth Day of May, 2015



Michelle K. Lee
Director of the United States Patent and Trademark Office