



US00D717109S

(12) **United States Design Patent**
Simontov et al.

(10) **Patent No.:** **US D717,109 S**
(45) **Date of Patent:** **** Nov. 11, 2014**

- (54) **TEA INFUSER**
- (71) Applicants: **Larissa Simontov**, Seattle, WA (US);
Slava Simontov, Seattle, WA (US)
- (72) Inventors: **Larissa Simontov**, Seattle, WA (US);
Slava Simontov, Seattle, WA (US)
- (**) Term: **14 Years**
- (21) Appl. No.: **29/459,119**
- (22) Filed: **Jun. 26, 2013**
- (51) **LOC (10) Cl.** **07-01**
- (52) **U.S. Cl.**
USPC **D7/400**; D7/397; D7/399; D7/396.2;
D7/667
- (58) **Field of Classification Search**
USPC D7/400, 667, 399, 396.3, 396.2, 397;
99/297, 323; 426/80, 79, 82, 77
See application file for complete search history.

| | | | | | |
|--------------|------|---------|------------------|-------|----------|
| 5,318,786 | A * | 6/1994 | Clarkson | | 426/79 |
| 5,605,710 | A * | 2/1997 | Pridonoff et al. | | 426/86 |
| 5,842,408 | A * | 12/1998 | Hatta | | 99/323 |
| 5,853,106 | A * | 12/1998 | Galluzzo | | 220/731 |
| 6,269,736 | B1 | 8/2001 | Melton | | |
| D449,960 | S | 11/2001 | Durbin | | |
| 7,235,272 | B2 * | 6/2007 | Saitoh et al. | | 426/82 |
| D613,114 | S | 4/2010 | Hewitt | | |
| 8,404,294 | B2 * | 3/2013 | Rasmussen et al. | | 426/431 |
| D679,942 | S * | 4/2013 | Lyall, III | | D7/400 |
| D686,877 | S * | 7/2013 | Ortega | | D7/396.2 |
| 8,746,131 | B2 * | 6/2014 | Saitoh et al. | | 99/279 |
| 2011/0183042 | A1 | 7/2011 | Teng | | |

* cited by examiner

Primary Examiner — Marianne Pandozzi
(74) *Attorney, Agent, or Firm* — Cicero Patent Services, PLLC

(57) **CLAIM**
The ornamental design for a tea infuser, as shown and described.

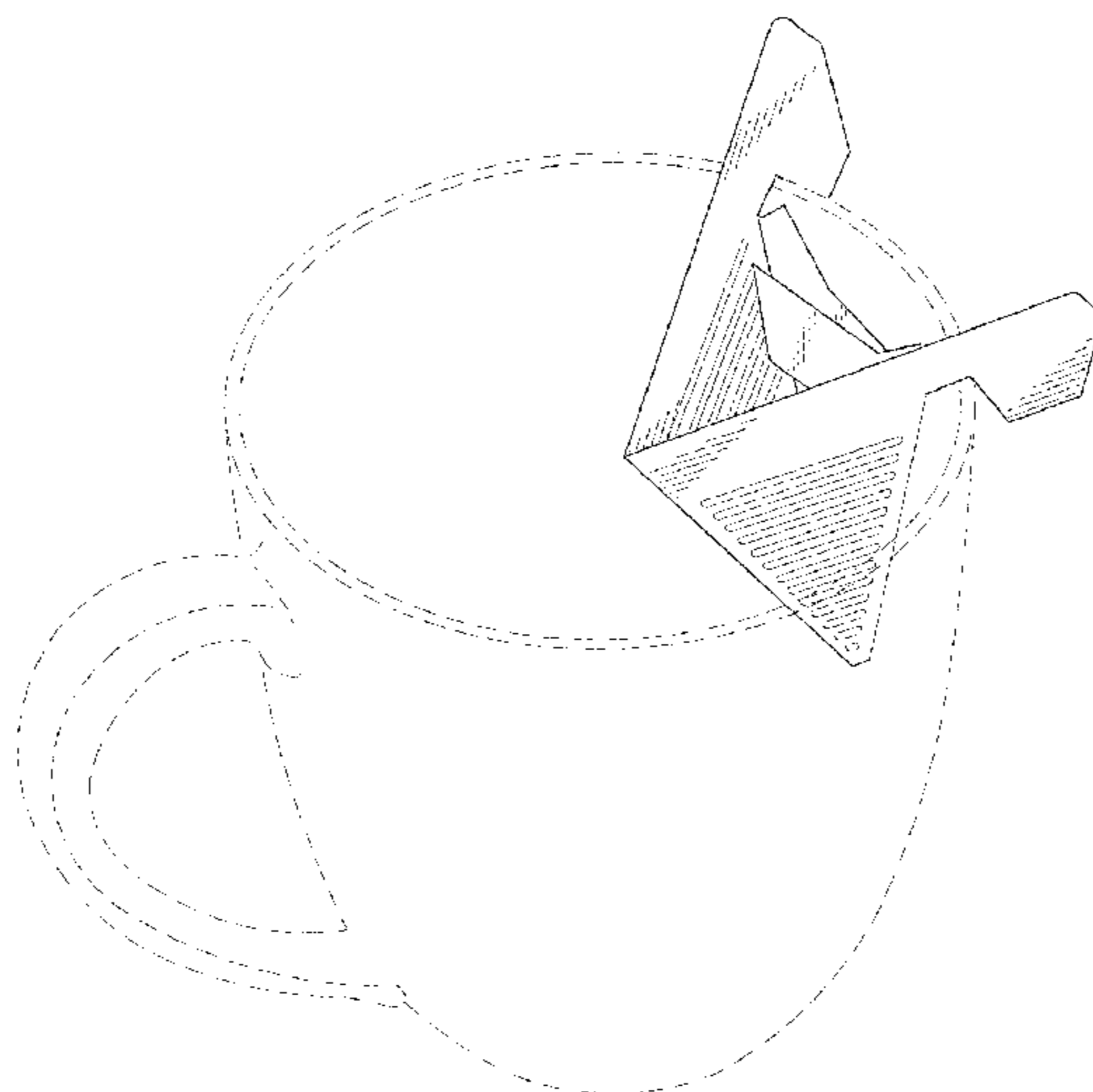
DESCRIPTION

FIG. 1 is a perspective view of the tea infuser showing one example of the environment in which the invention may be used, namely affixed to rim of a beverage mug (shown in broken lines);
FIG. 2 is a front of the tea infuser of this design;
FIG. 3 is a right view thereof;
FIG. 4 is a left view thereof;
FIG. 5 is a top view thereof;
FIG. 6 is a rear view thereof;
FIG. 7 is a rear view thereof showing the tea infuser in a partially unfolded manner such that the rear is unclapsed; and,
FIG. 8 is a front view thereof showing the flat pattern of the tea infuser.
The broken lines in the figures are shown for illustrative purposes only and form no part of the claimed design.

1 Claim, 3 Drawing Sheets

(56) **References Cited**
U.S. PATENT DOCUMENTS

| | | | | | |
|-----------|-----|---------|------------------|-------|---------|
| 1,247,906 | A | 11/1917 | Tjilly | | |
| 2,591,606 | A * | 4/1952 | Reed | | 99/316 |
| 3,387,978 | A * | 6/1968 | Major | | 426/80 |
| 3,917,533 | A * | 11/1975 | Macaluso, Jr. | | 210/469 |
| 4,154,853 | A | 5/1979 | Rambold | | |
| 4,551,336 | A | 11/1985 | Chen | | |
| D286,006 | S * | 10/1986 | Kataoka | | D7/400 |
| 4,619,830 | A * | 10/1986 | Napier | | 426/82 |
| D287,217 | S * | 12/1986 | Napier | | D7/400 |
| 4,688,479 | A * | 8/1987 | Cunningham | | 100/133 |
| 4,715,271 | A * | 12/1987 | Kitagawa | | 99/306 |
| 4,726,956 | A * | 2/1988 | Christie | | 426/80 |
| D302,635 | S * | 8/1989 | Friedman | | D7/667 |
| 4,863,601 | A * | 9/1989 | Wittekind et al. | | 210/474 |
| 4,875,574 | A * | 10/1989 | Travers | | 206/0.5 |
| D312,560 | S * | 12/1990 | Williamson | | D7/667 |
| 5,132,124 | A * | 7/1992 | Tamaki et al. | | 426/82 |



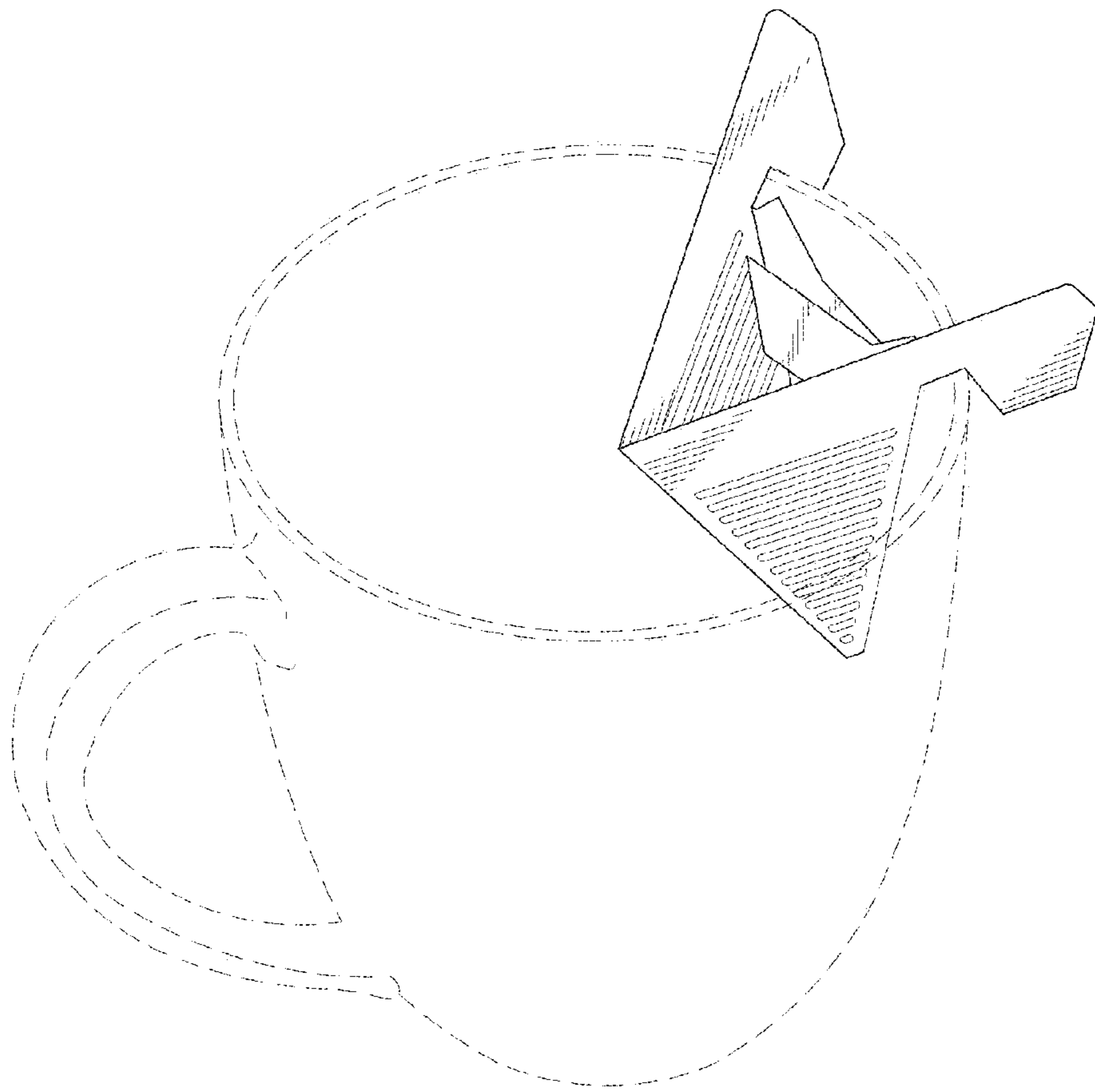


FIG. 1

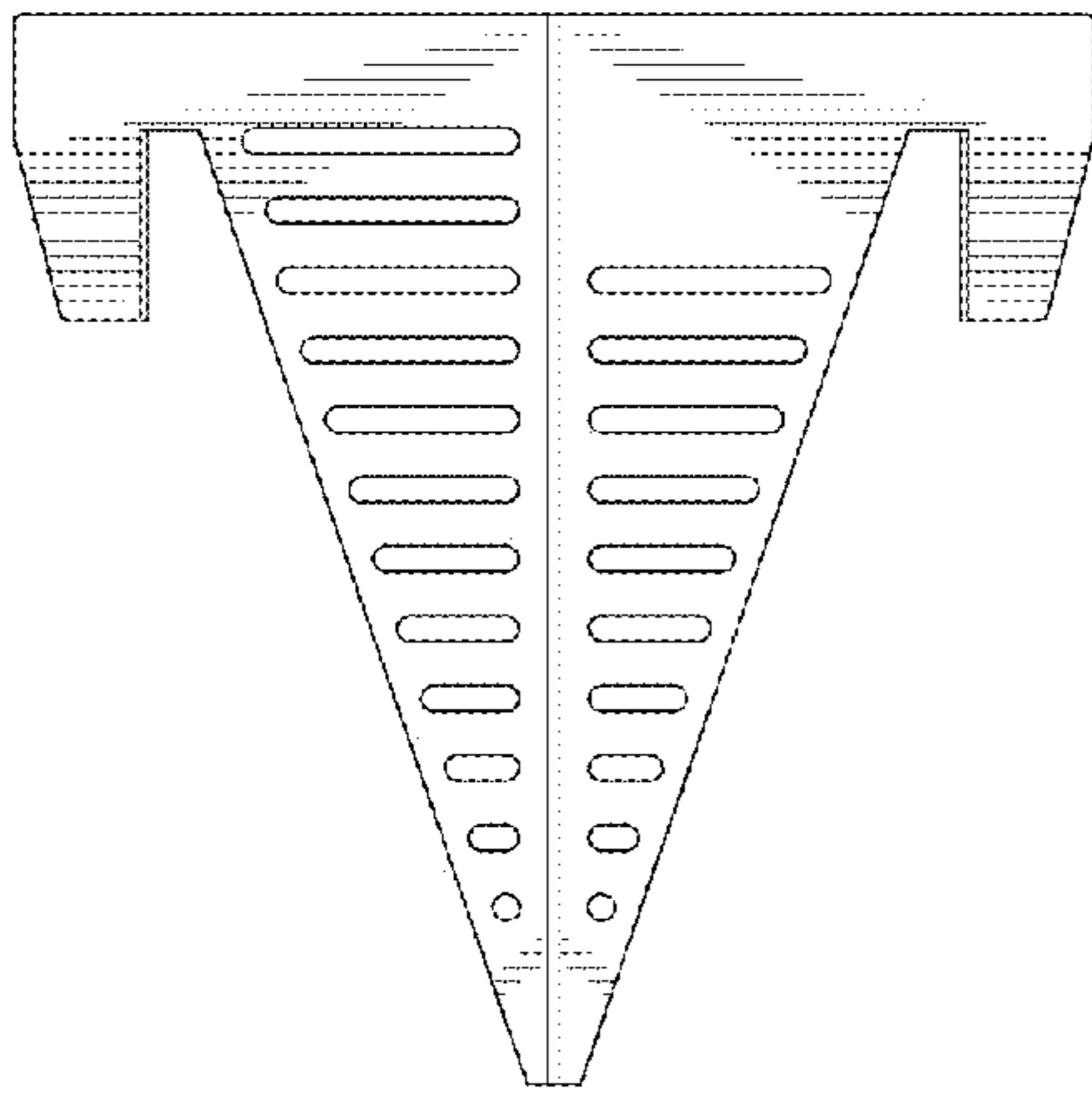


FIG. 2

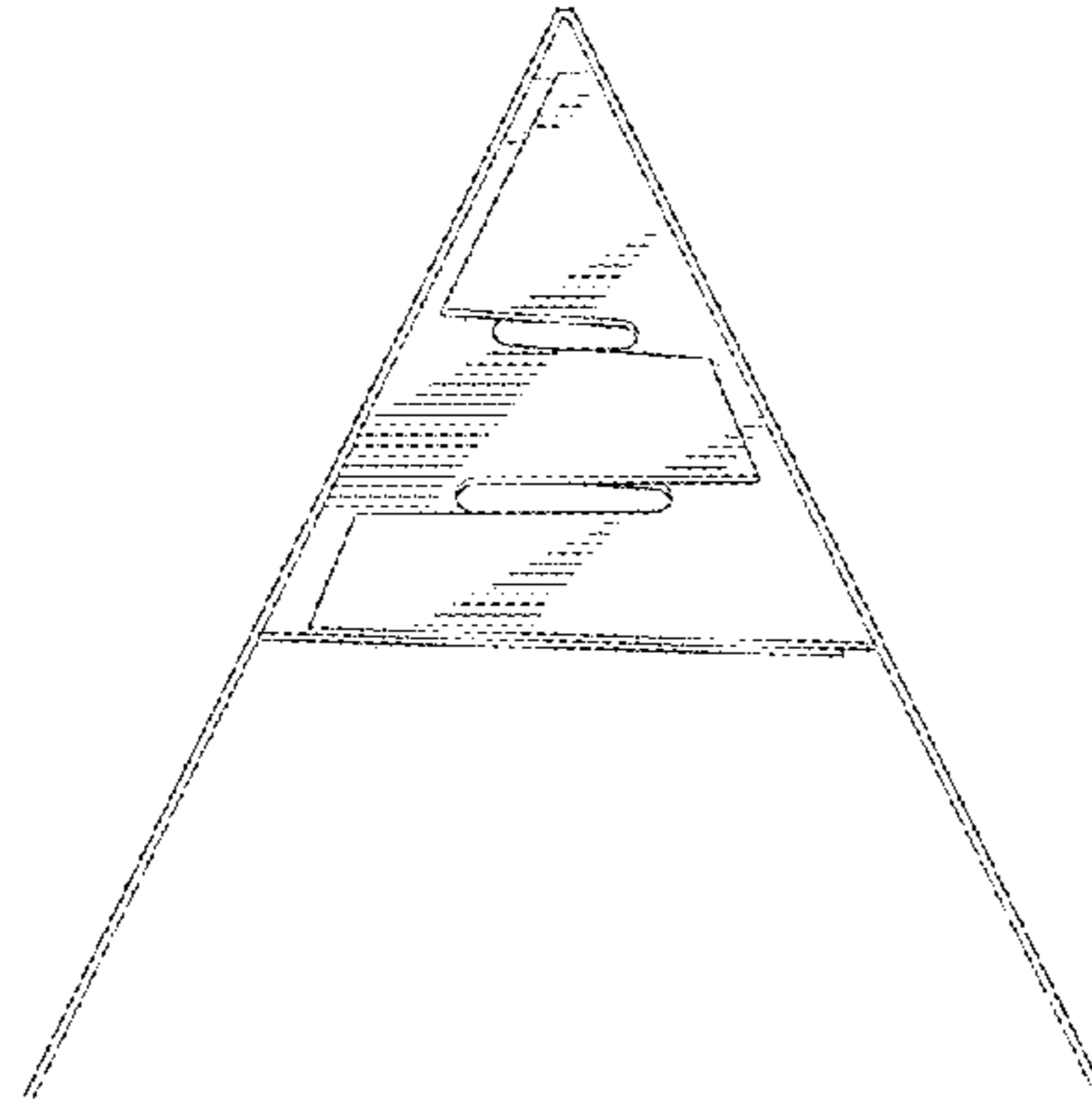


FIG. 5

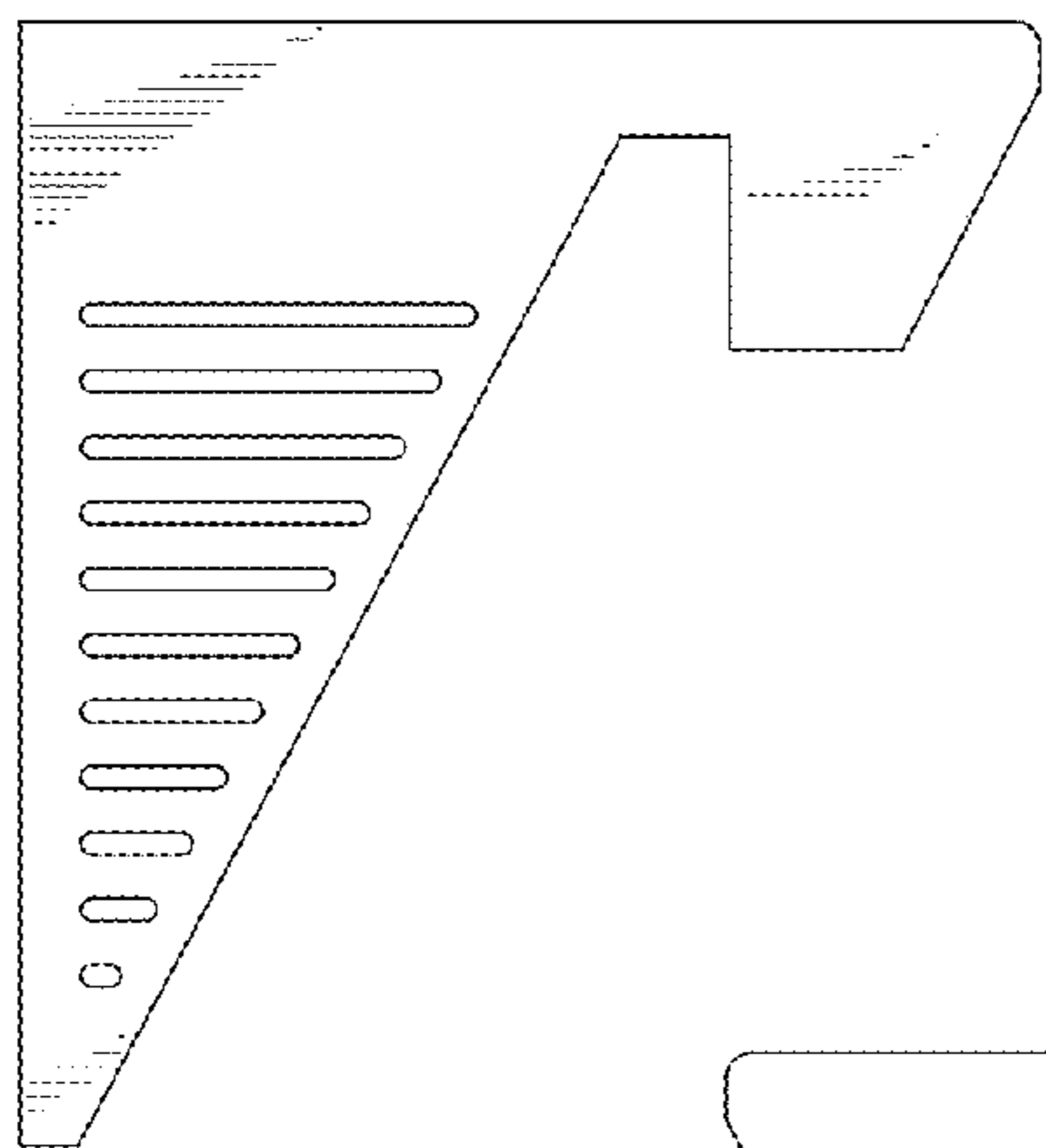


FIG. 3

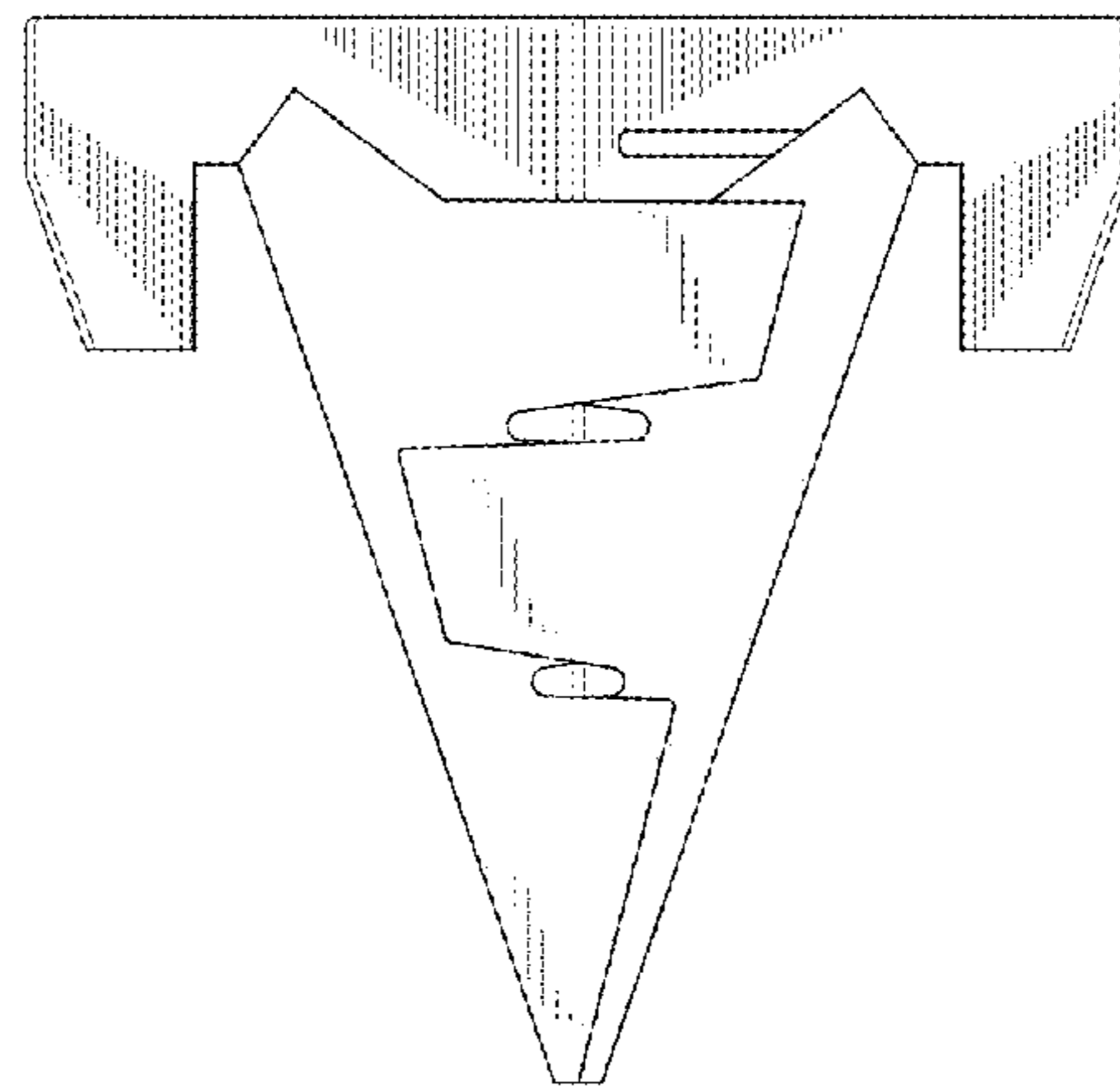


FIG. 6

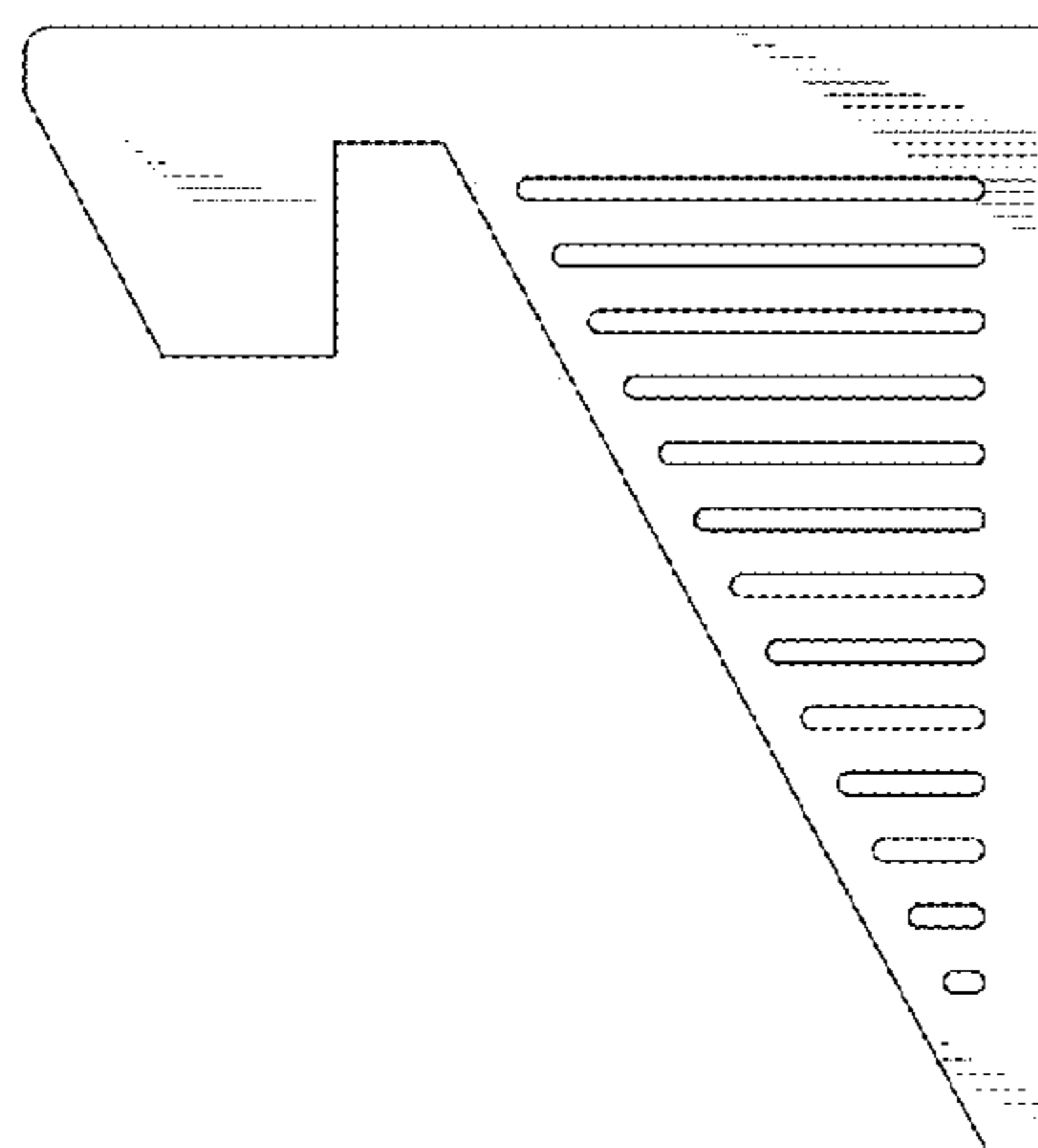


FIG. 4

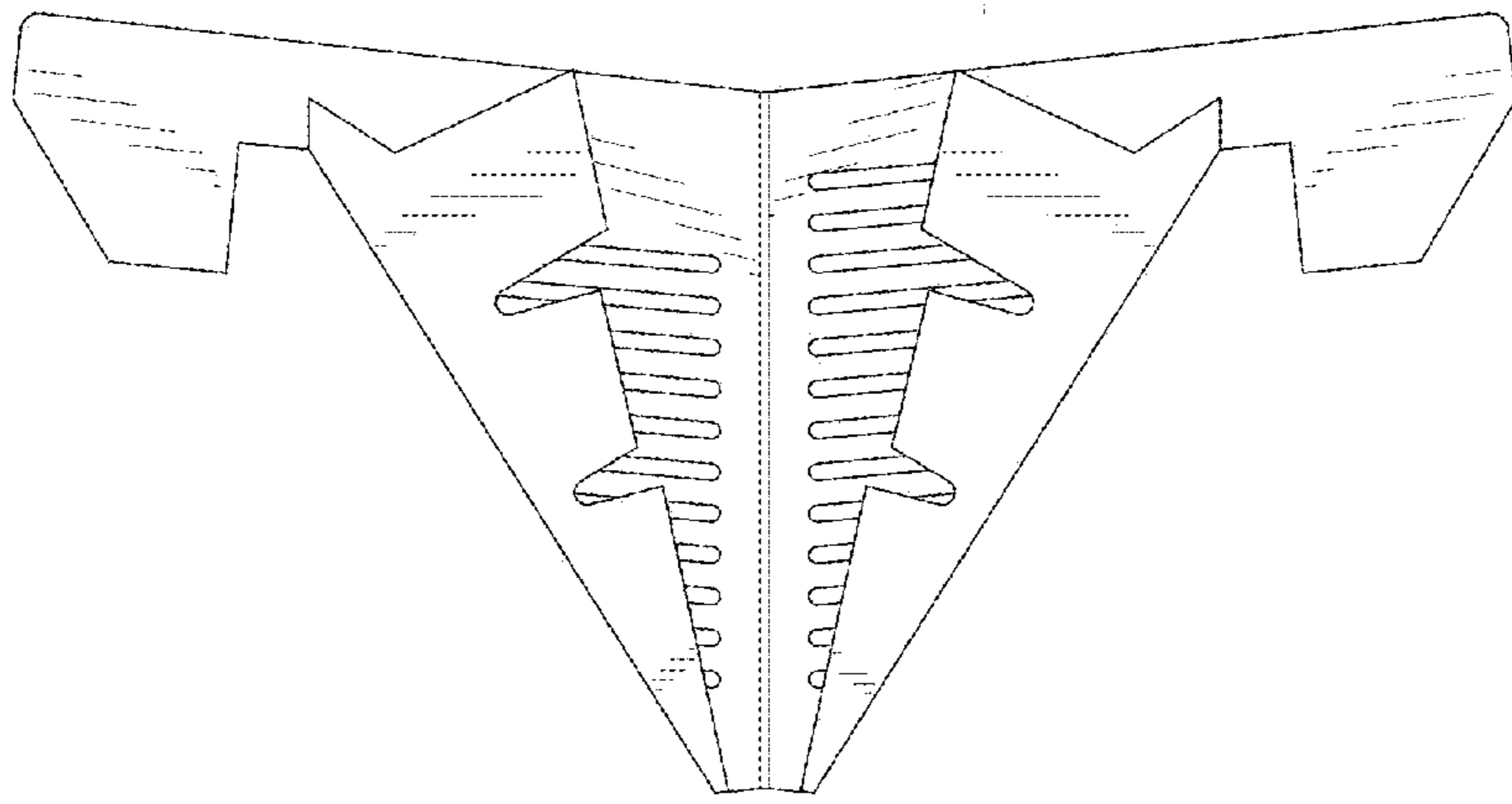


FIG. 7

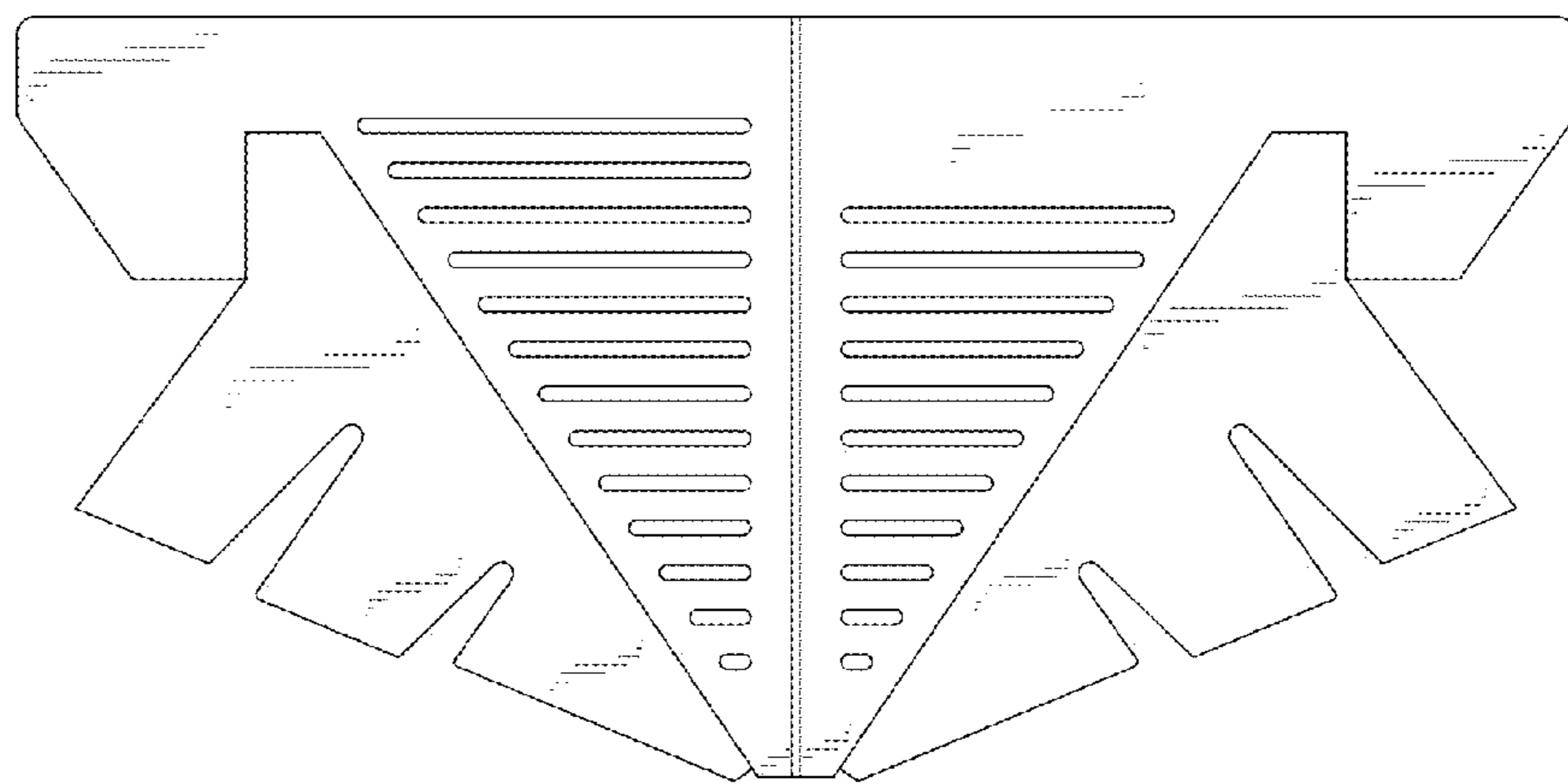


FIG. 8