



US00D717108S

(12) **United States Design Patent**  
**Mallam**

(10) **Patent No.:** **US D717,108 S**

(45) **Date of Patent:** **\*\* Nov. 11, 2014**

(54) **BEVERAGE GUN HOLSTER**

(71) Applicant: **Beverage Gun Holster Pty Ltd,**  
Warriewood (AU)

(72) Inventor: **Luke Robert Mallam,** Warriewood  
(AU)

(73) Assignee: **Beverage Gun Holster Pty Ltd,**  
Warriewood, NSW (AU)

(\*\*) Term: **14 Years**

(21) Appl. No.: **29/484,882**

(22) Filed: **Mar. 13, 2014**

(30) **Foreign Application Priority Data**

Sep. 13, 2013 (AU) ..... 14609/2013  
Sep. 13, 2013 (AU) ..... 16414/2013

(51) **LOC (10) Cl.** ..... **07-99**

(52) **U.S. Cl.**  
USPC ..... **D7/397; D7/398**

(58) **Field of Classification Search**  
CPC ..... B67D 1/025; B67D 1/06; B67D 1/1215;  
A47F 9/00  
USPC ..... D7/213, 306, 307, 388, 397, 398, 400,  
D7/403, 409, 404, 415, 550.1, 553.2, 602;  
D9/434, 456; D3/201; D19/90, 91;  
215/386

See application file for complete search history.

(56) **References Cited**

**U.S. PATENT DOCUMENTS**

D288,784 S \* 3/1987 Nathan et al. .... D9/456  
D318,758 S \* 8/1991 Mervar et al. .... D6/634  
D408,494 S \* 4/1999 Parise ..... D23/209  
D448,957 S \* 10/2001 Roberts et al. .... D6/515  
D455,607 S \* 4/2002 Johnson ..... D7/397

D463,192 S \* 9/2002 Uneo et al. .... D7/306  
6,619,604 B1 \* 9/2003 Stillman ..... 248/205.5  
D486,522 S \* 2/2004 Chen ..... D19/75  
D497,075 S \* 10/2004 Lassota et al. .... D7/306  
D498,111 S \* 11/2004 Lassota et al. .... D7/309  
D618,950 S \* 7/2010 Jaffe et al. .... D7/306  
8,123,079 B2 \* 2/2012 Schroeder et al. .... 222/108  
D687,254 S \* 8/2013 Soule ..... D7/300  
D703,477 S \* 4/2014 Celli et al. .... D7/306

\* cited by examiner

*Primary Examiner* — Marianne Pandozzi

*Assistant Examiner* — Jae Liang

(74) *Attorney, Agent, or Firm* — Design IP

(57) **CLAIM**

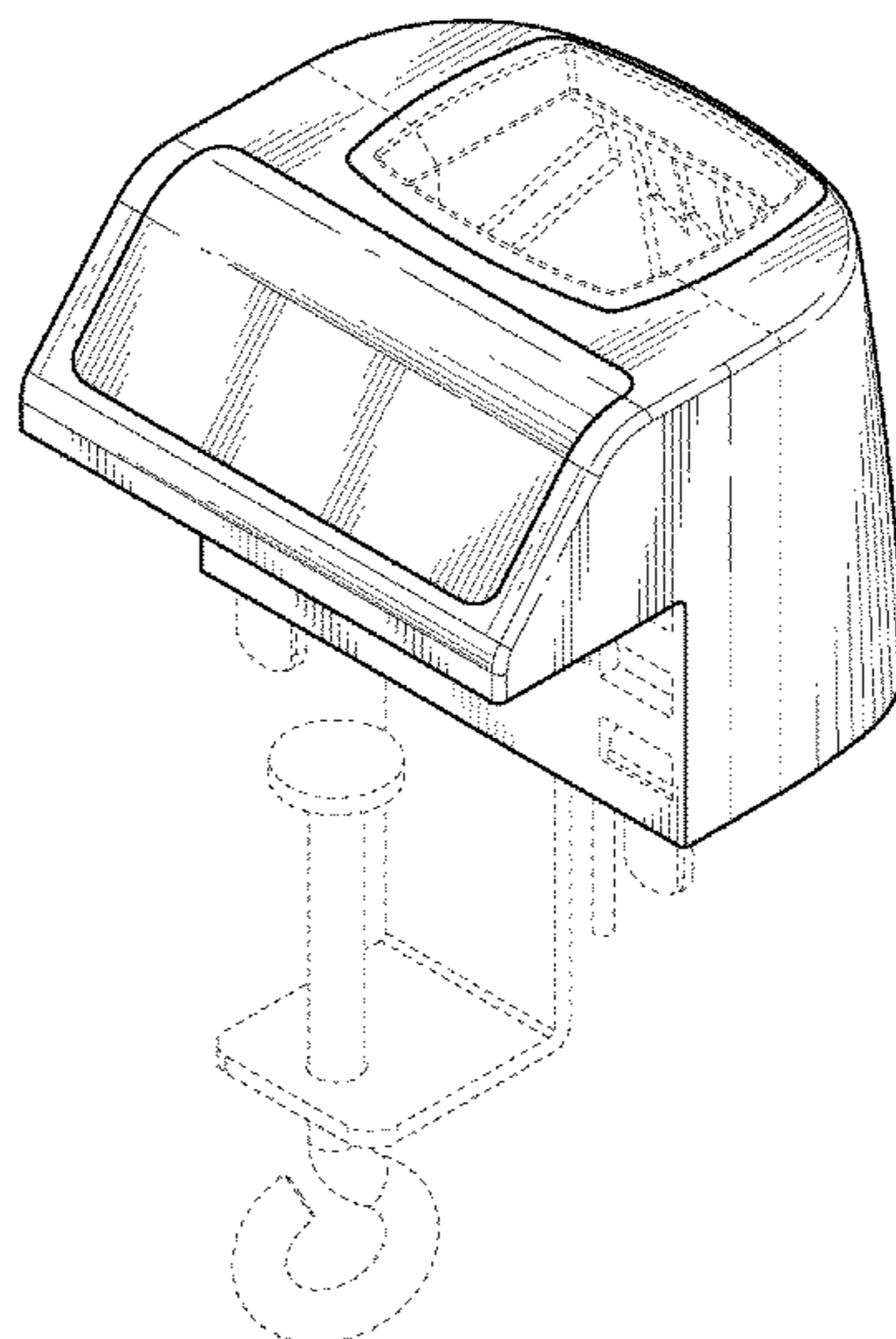
The ornamental design for a beverage gun holster, as shown and described.

**DESCRIPTION**

FIG. 1 is a front perspective view of a first embodiment of a beverage gun holster showing my new design;  
FIG. 2 is a front view thereof;  
FIG. 3 is a rear view thereof;  
FIG. 4 is a left side view thereof;  
FIG. 5 is a right side view thereof;  
FIG. 6 is a top view thereof;  
FIG. 7 is a front perspective view of a second embodiment of a beverage gun holster showing my new design;  
FIG. 8 is a front view thereof;  
FIG. 9 is a rear view thereof;  
FIG. 10 is a left side view thereof;  
FIG. 11 is a right side view thereof; and,  
FIG. 12 is a top view thereof.

The broken lines shown in FIGS. 1-12 illustrate portions of the beverage gun holster that form no part of the claimed design. The bottom views are omitted and form no part of the claimed design.

**1 Claim, 12 Drawing Sheets**



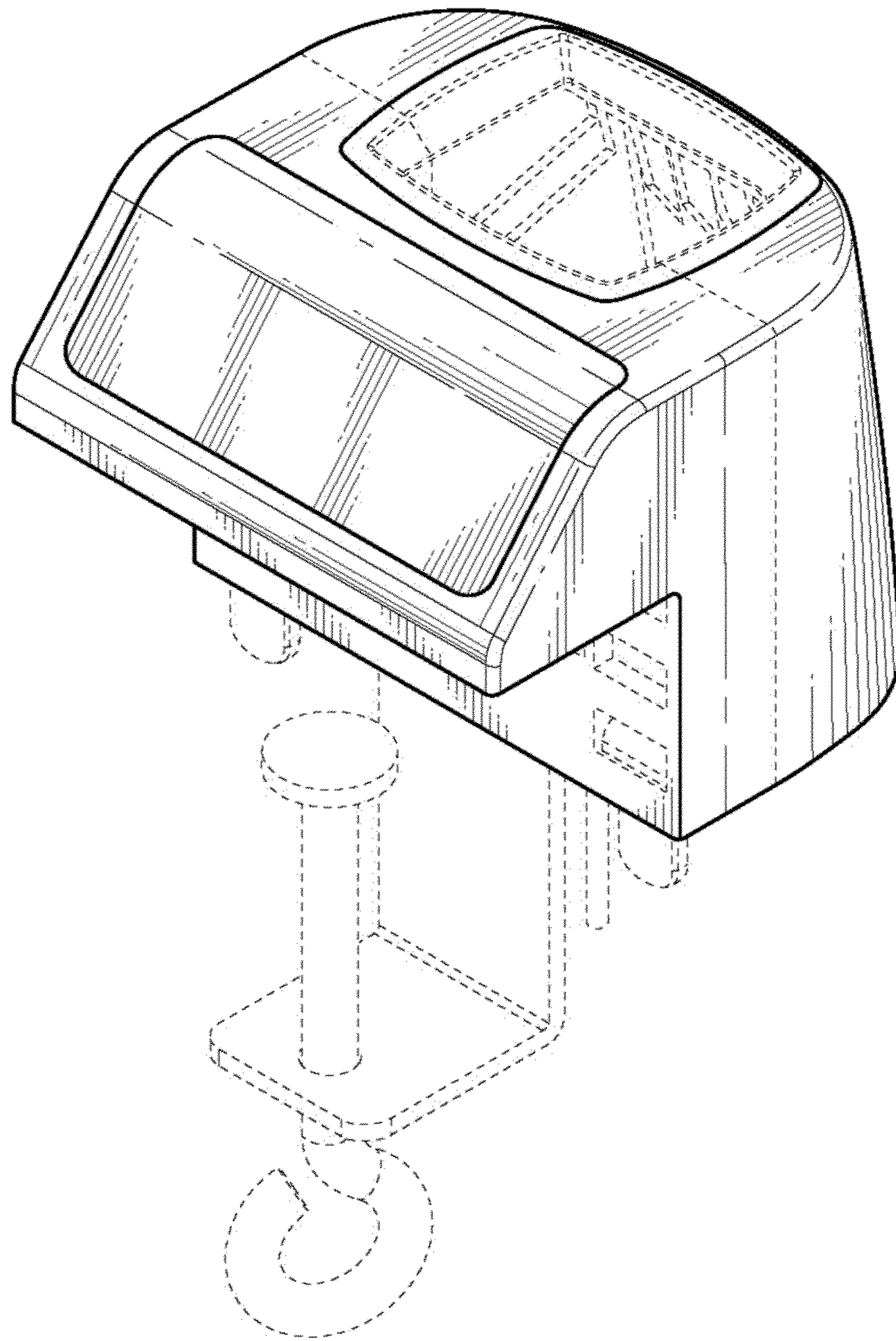


FIG. 1

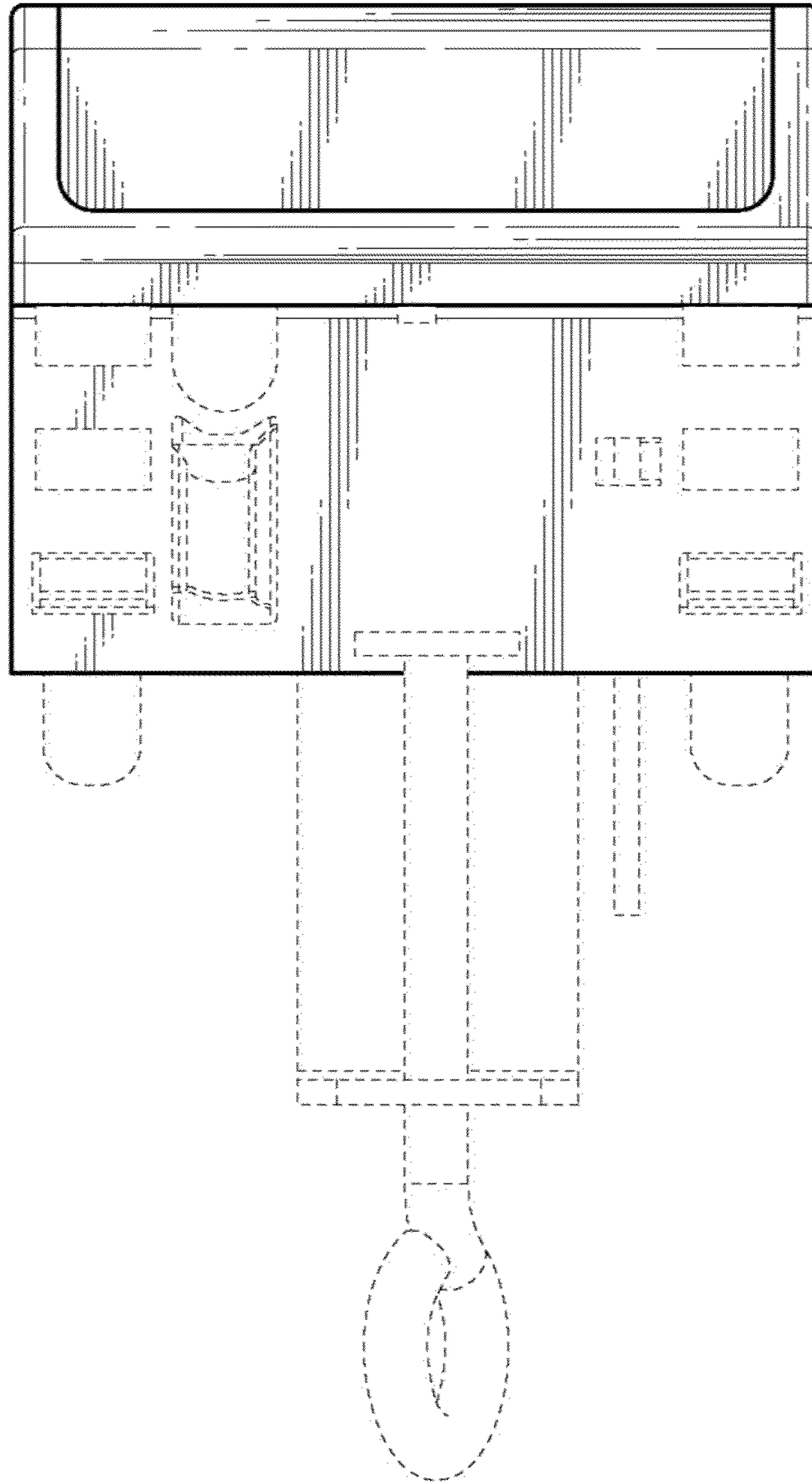


FIG. 2



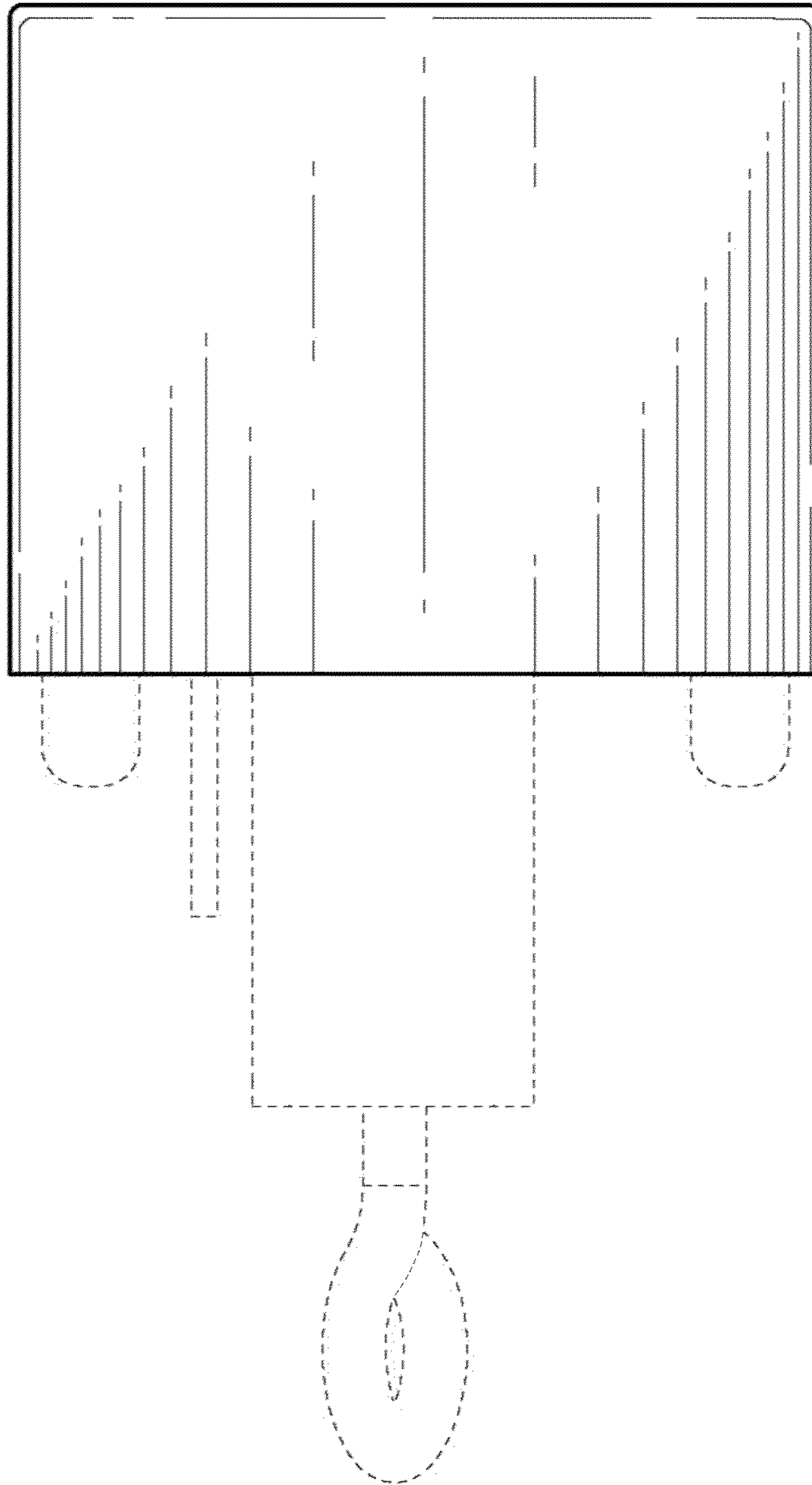


FIG. 3

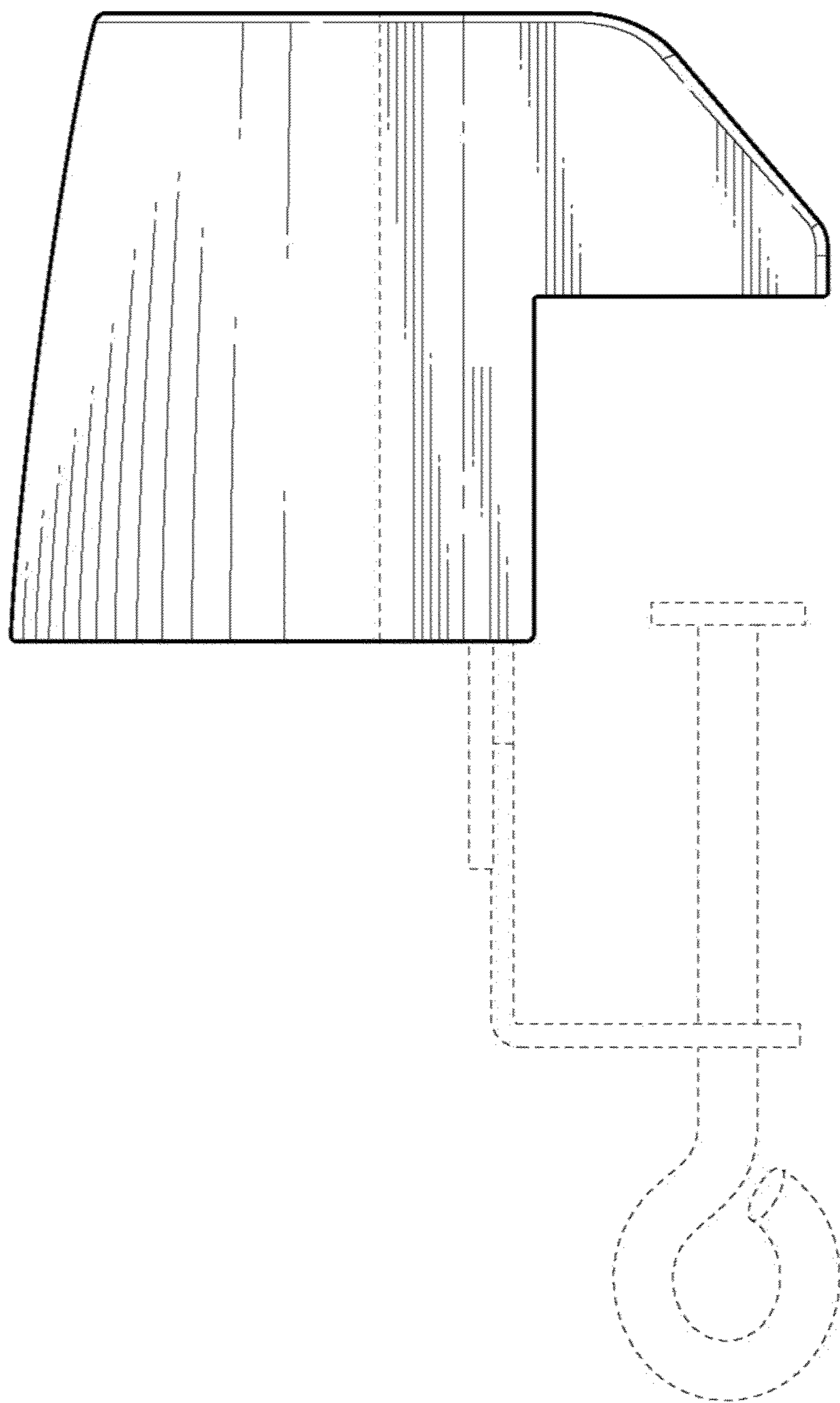


FIG. 4

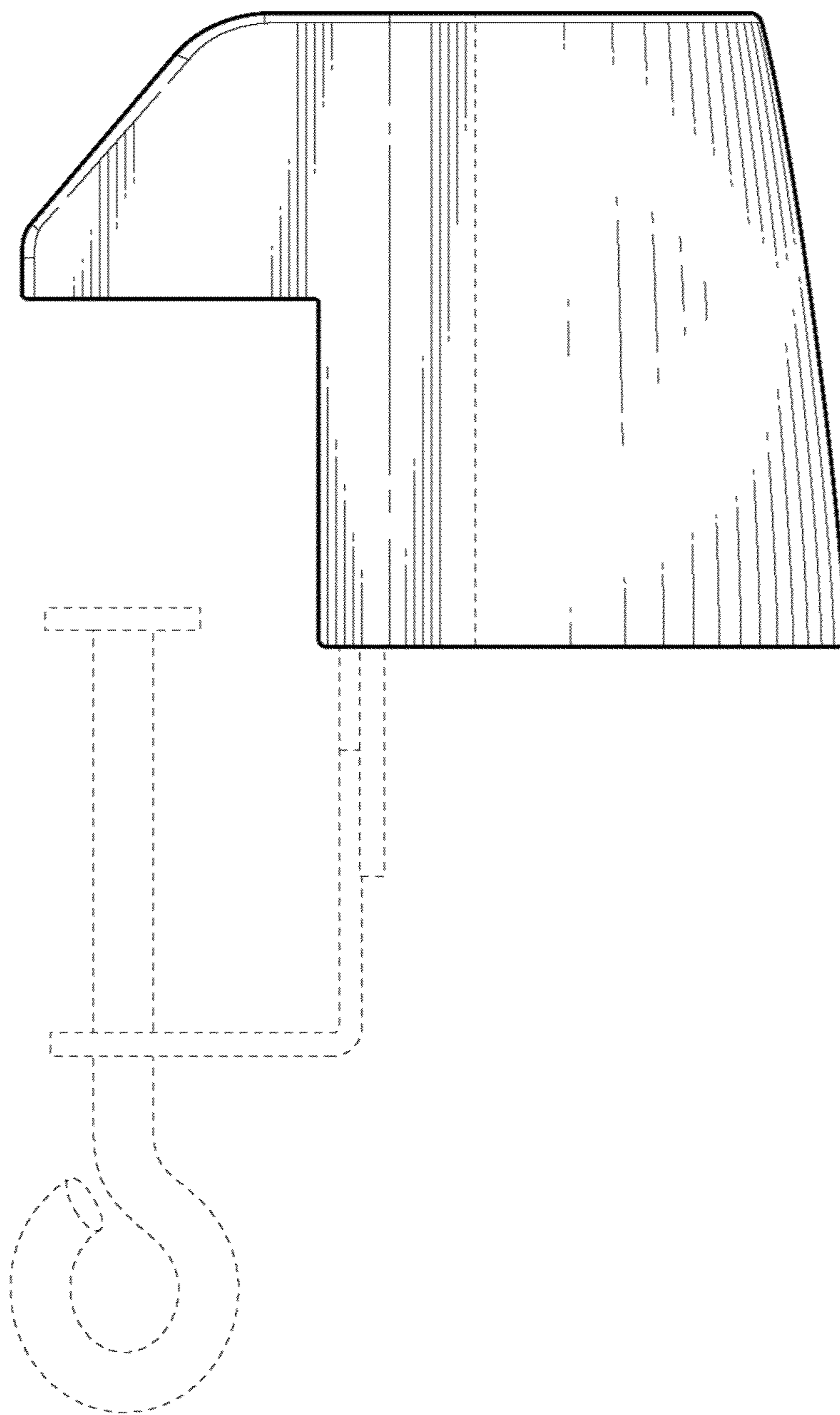


FIG. 5

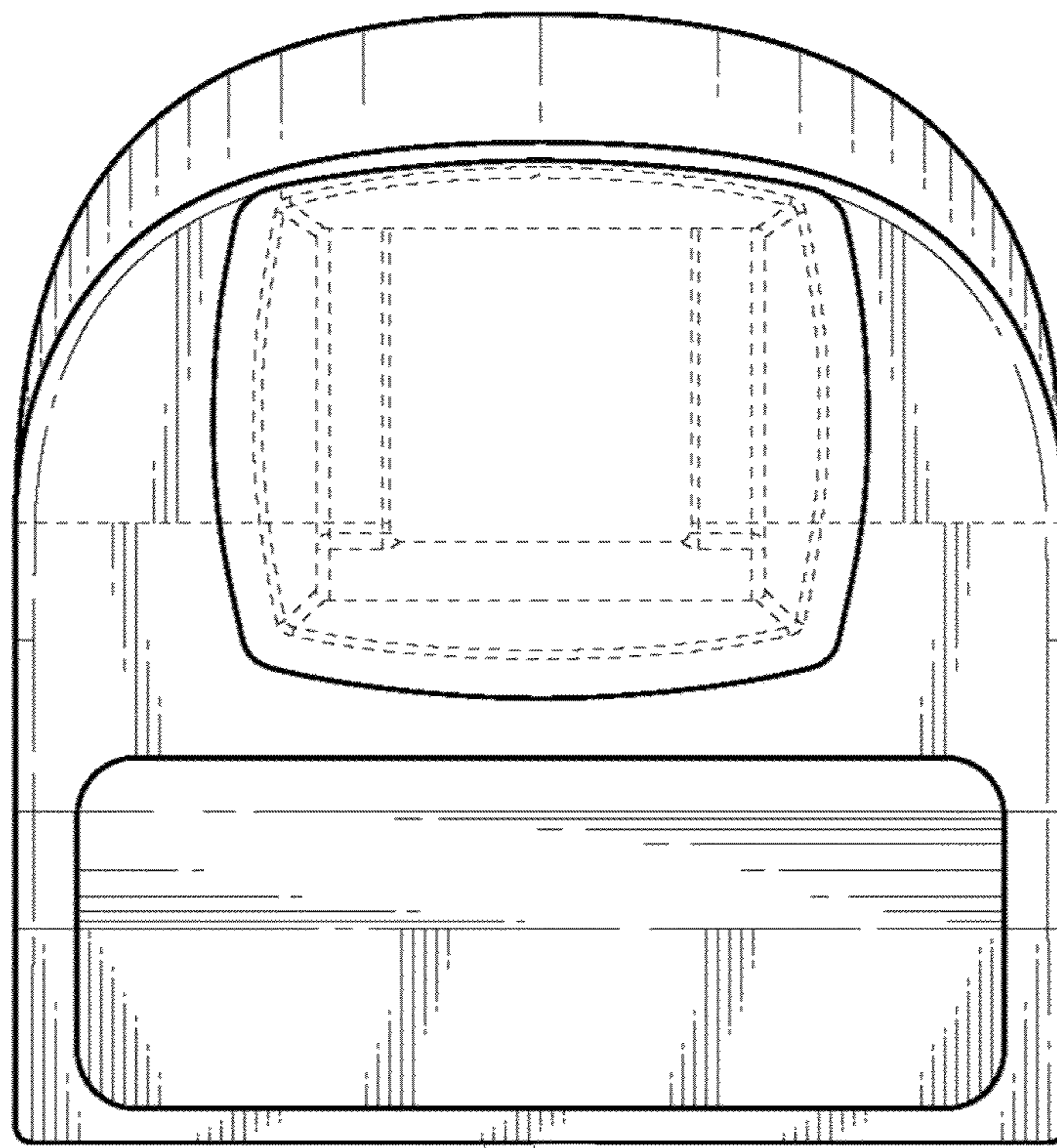


FIG. 6



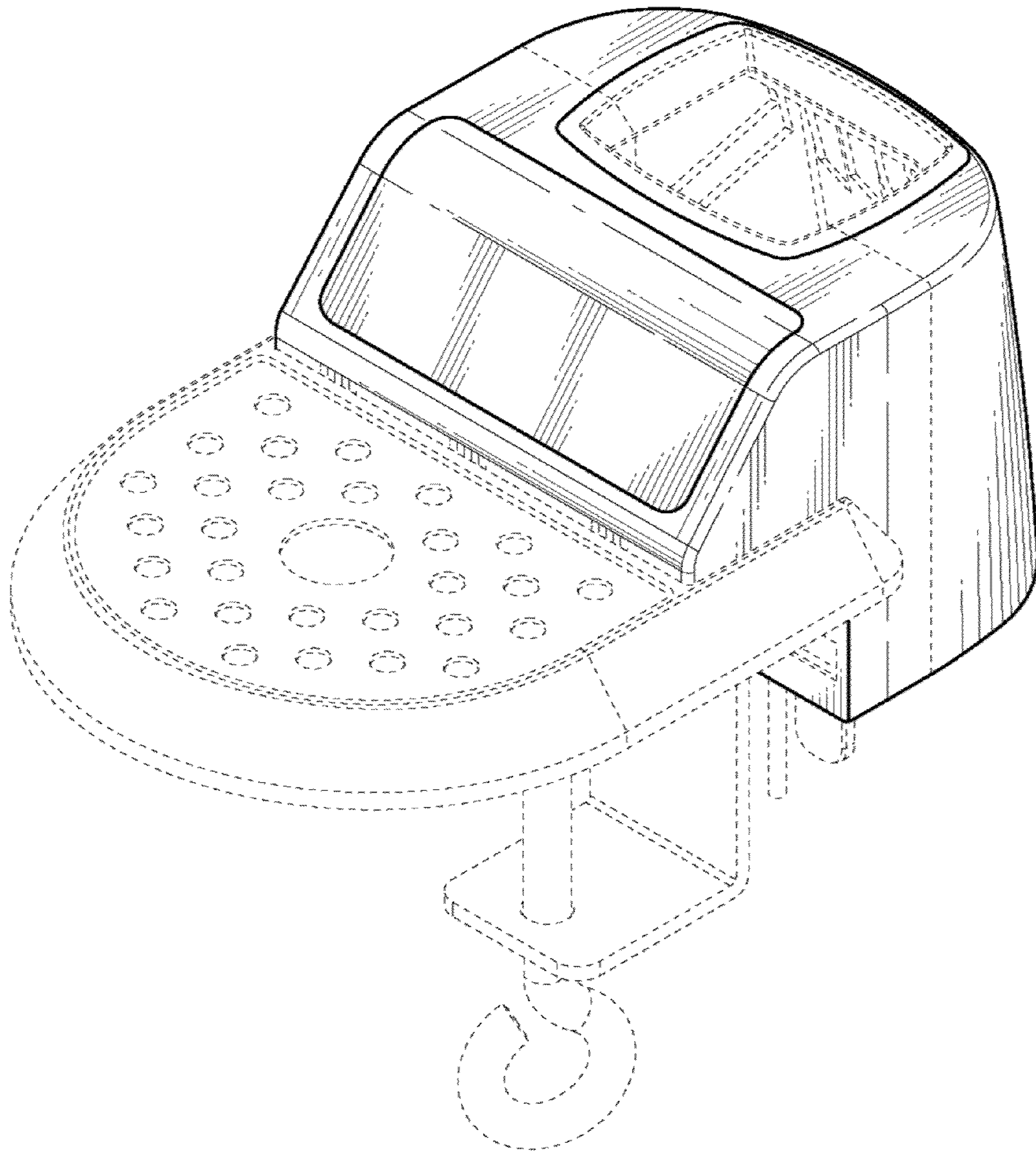


FIG. 7



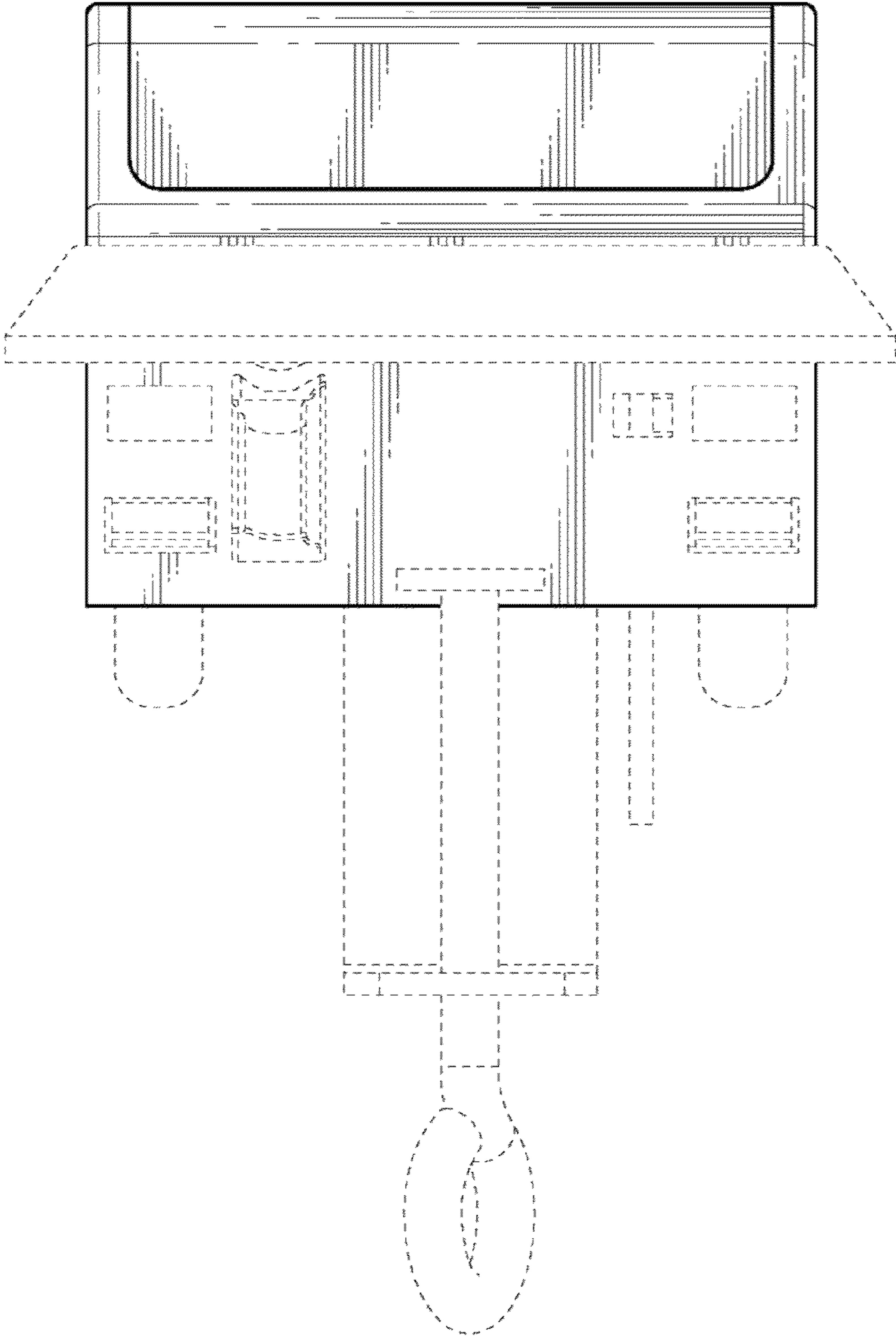


FIG. 8

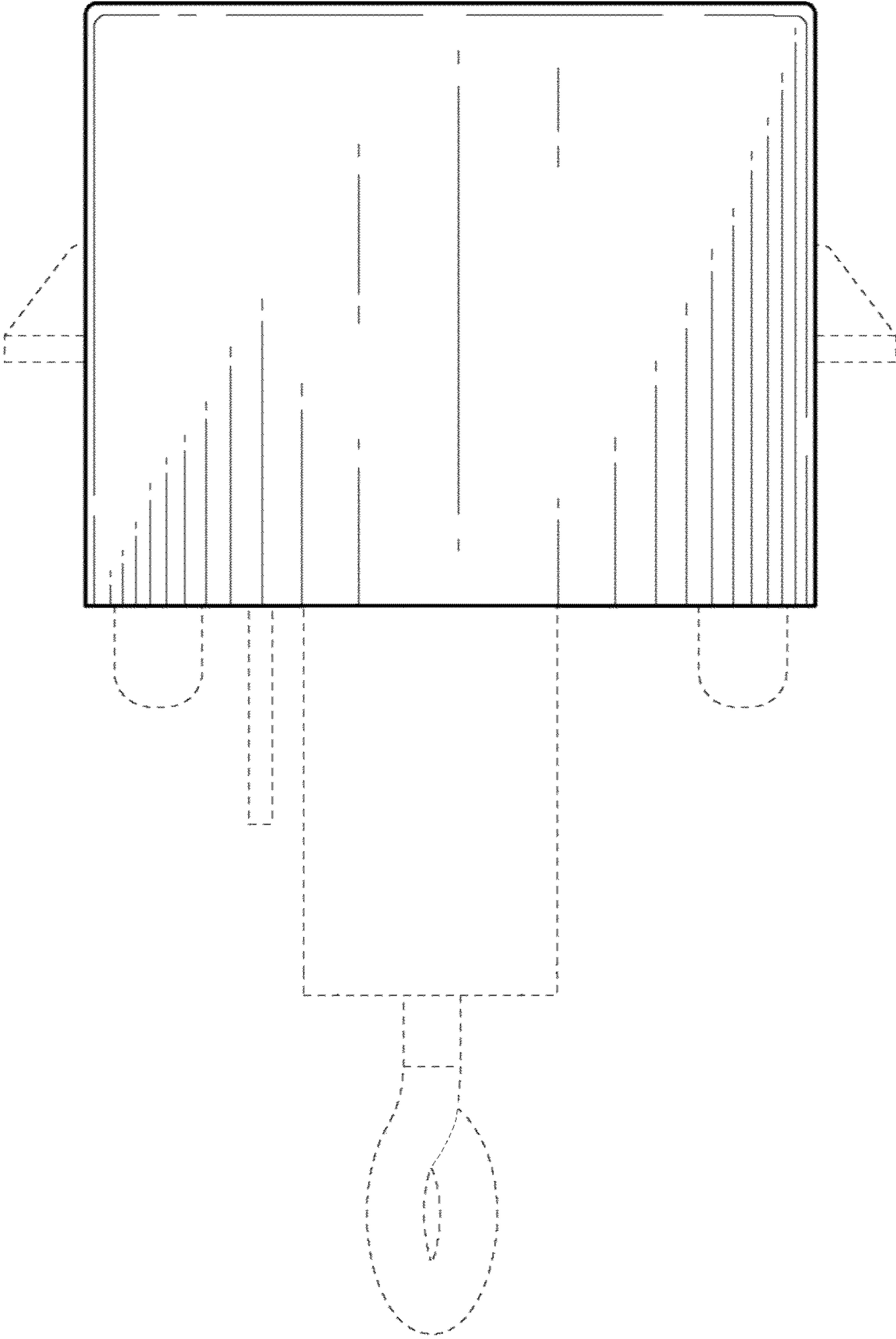


FIG. 9

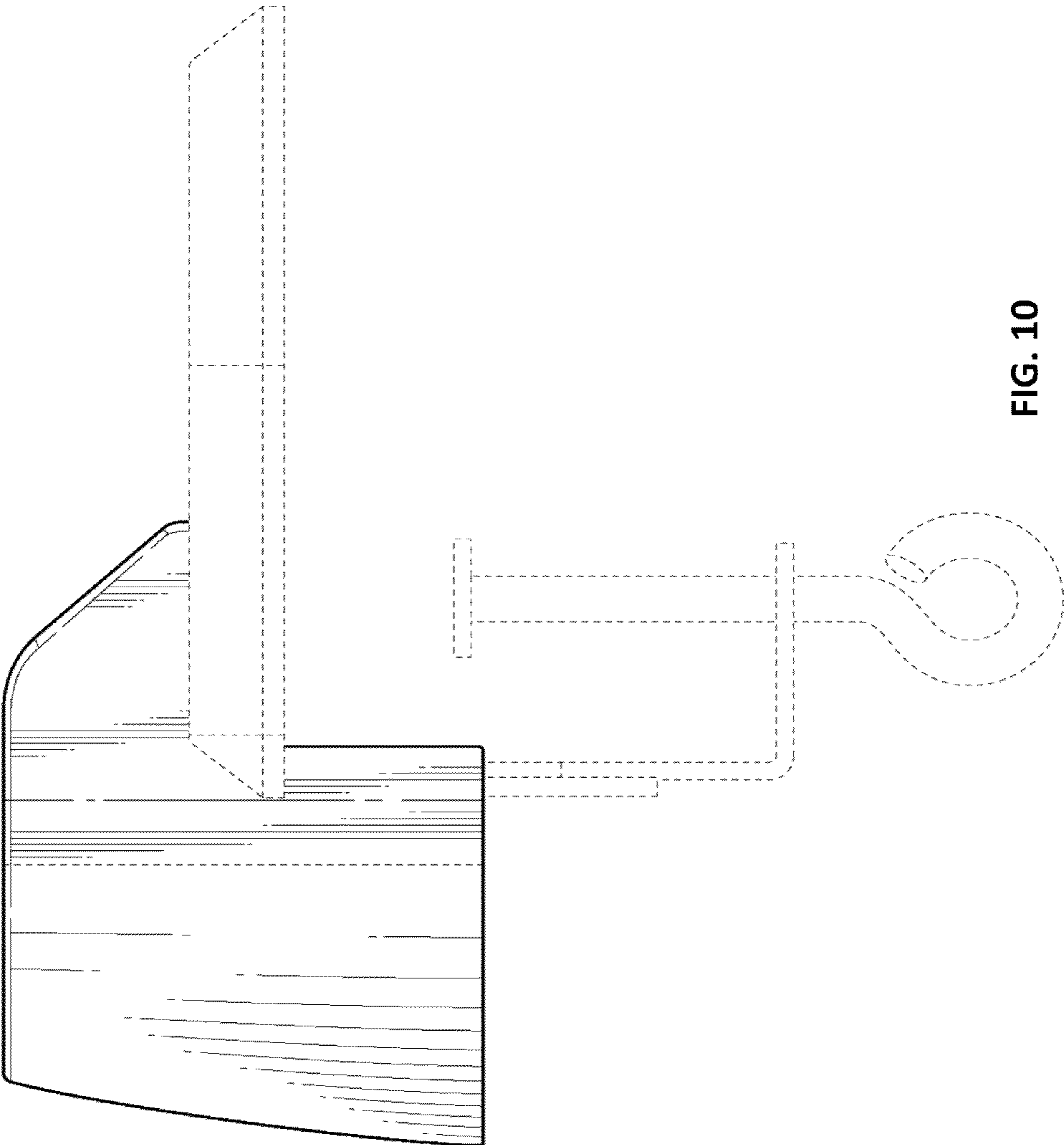


FIG. 10

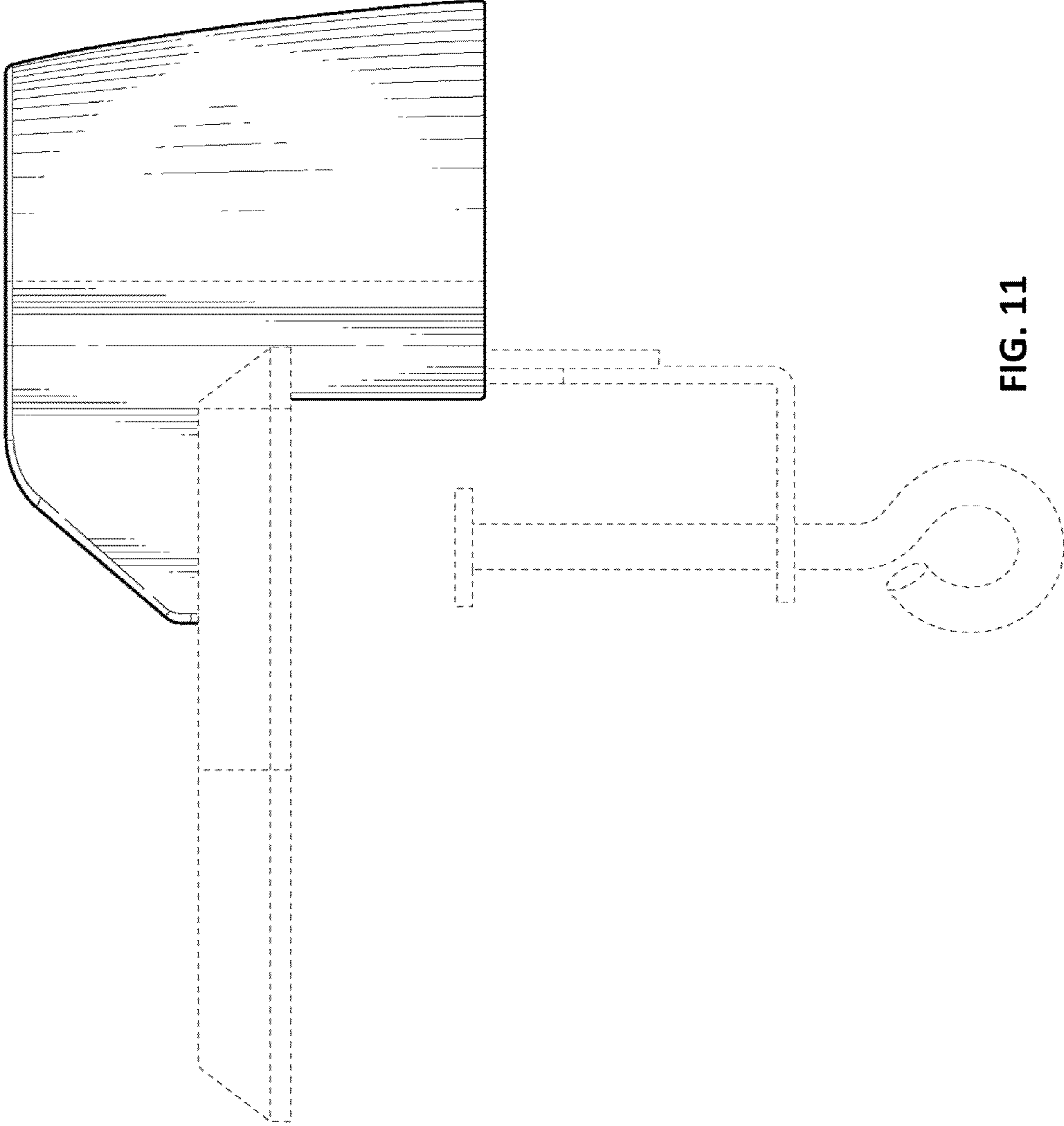


FIG. 11



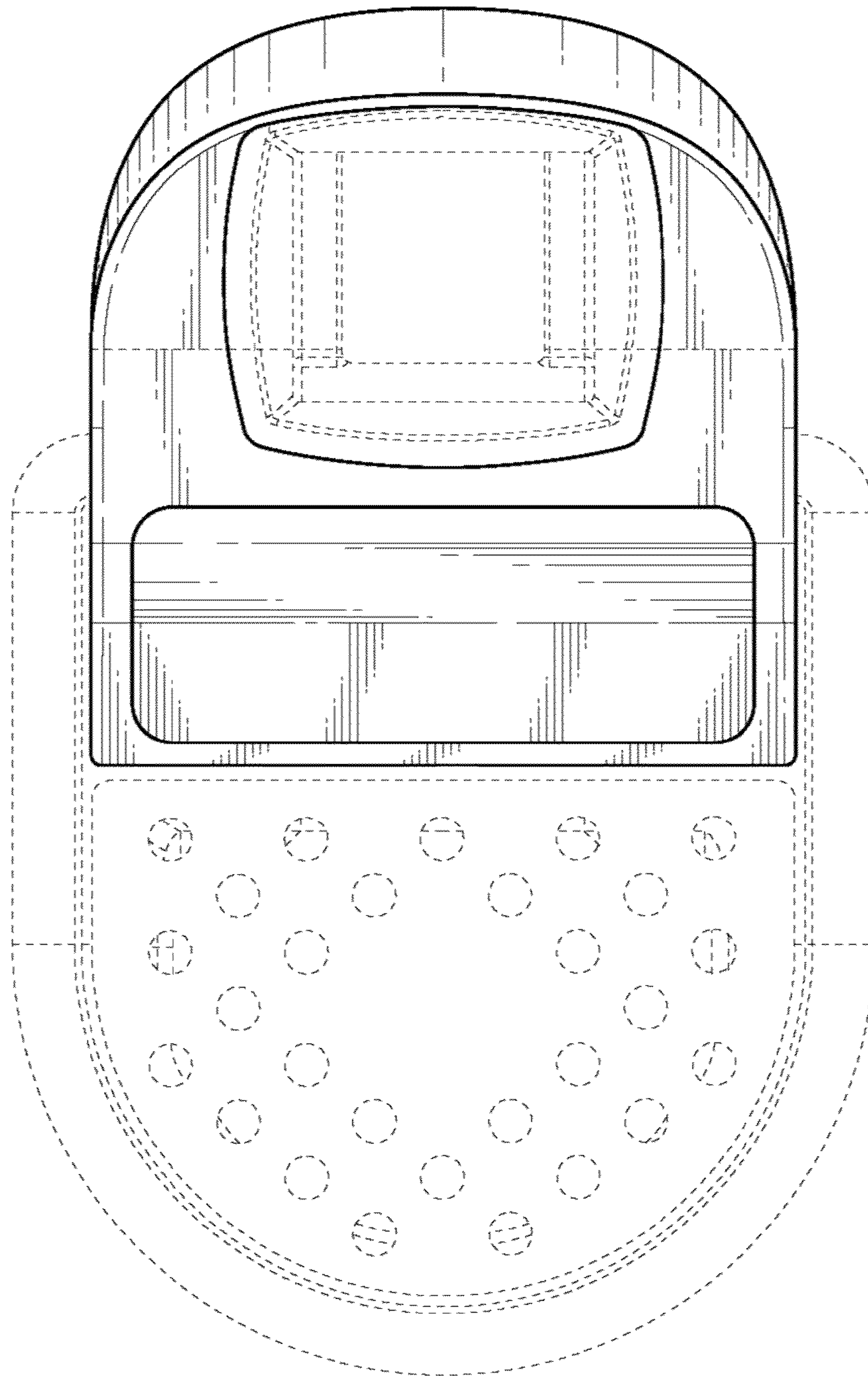


FIG. 12