



US00D717106S

(12) **United States Design Patent**  
**Zemel et al.**

(10) **Patent No.:** **US D717,106 S**

(45) **Date of Patent:** **\*\* Nov. 11, 2014**

- (54) **UTENSIL HANDLE**
- (71) Applicant: **Ferrellgas Real Estate, Inc.**, Liberty, MO (US)
- (72) Inventors: **Marc Zemel**, Old Bethpage, NY (US);  
**Adam Schillen**, Dix Hills, NY (US)
- (73) Assignee: **Blue Rhino Global Sourcing, Inc.**, Liberty, MO (US)
- (\*\*) Term: **14 Years**
- (21) Appl. No.: **29/457,718**
- (22) Filed: **Jun. 12, 2013**
- (51) **LOC (10) Cl.** ..... **07-02**
- (52) **U.S. Cl.**  
USPC ..... **D7/393**
- (58) **Field of Classification Search**  
USPC ..... D7/393, 395, 401.2, 683, 685, 686, 687,  
D7/688; D8/39, 52-55, 107; 294/3, 11, 16,  
294/99.1, 99.2, 100, 103.1, 104, 106, 110.1,  
294/115

See application file for complete search history.

(56) **References Cited**

**U.S. PATENT DOCUMENTS**

D350,050 S *	8/1994	Klunder	.....	D7/686
D392,849 S *	3/1998	Zeller	.....	D7/686
D447,430 S	9/2001	Kehoe		
D461,379 S *	8/2002	Wang	.....	D7/686
D471,772 S *	3/2003	Wang	.....	D7/686
D472,099 S *	3/2003	Grove et al.	.....	D7/393
D475,585 S	6/2003	Chen		
D477,504 S *	7/2003	Rowe et al.	.....	D7/686
D481,915 S *	11/2003	Mezger-Boehringer	.....	D7/686
D494,006 S *	8/2004	Zemel	.....	D7/393

D535,145 S	1/2007	Zemel
D535,853 S	1/2007	Zemel
D545,122 S	6/2007	Zemel
D546,620 S	7/2007	Zemel
D564,290 S	3/2008	Zemel
D564,291 S	3/2008	Zemel
D569,174 S	5/2008	Zemel
D572,079 S	7/2008	Zemel
D572,080 S	7/2008	Zemel
D588,867 S	3/2009	Zemel
D601,849 S	10/2009	Zemel
D657,619 S	4/2012	Zemel
D658,432 S	5/2012	Zemel
D658,434 S	5/2012	Zemel
D658,936 S	5/2012	Zemel
D667,707 S	9/2012	Zemel

\* cited by examiner

*Primary Examiner* — Cynthia M Chin

(74) *Attorney, Agent, or Firm* — Carter, DeLuca, Farrell & Schmidt, LLP

(57) **CLAIM**

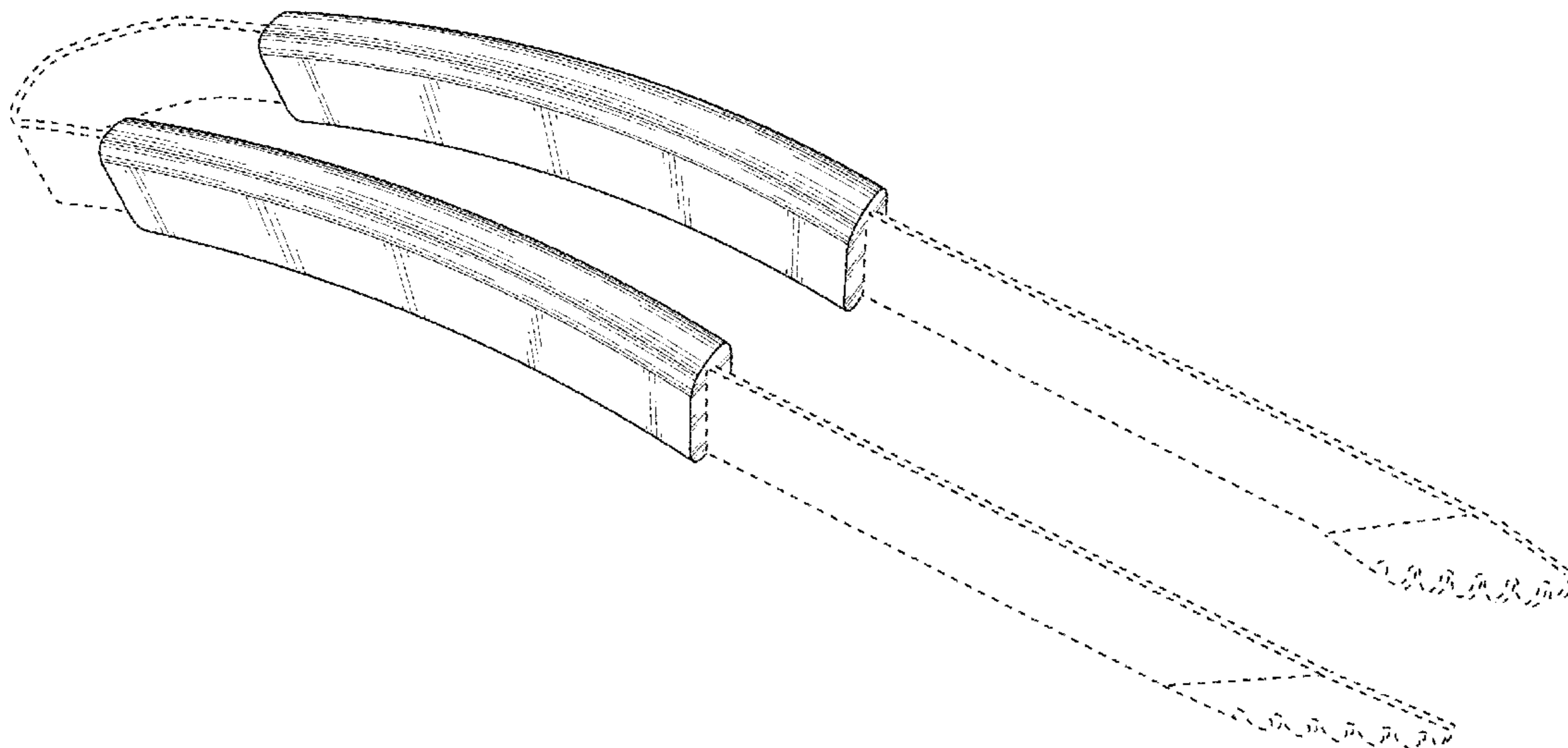
The ornamental design for a utensil handle, as shown and described.

**DESCRIPTION**

FIG. 1 is a perspective view of a utensil handle in accordance with the present design;  
 FIG. 2 is a right side elevational view thereof; the left side elevational view being a mirror image thereof;  
 FIG. 3 is a front side elevational view thereof;  
 FIG. 4 is a rear elevational view thereof;  
 FIG. 5 is a top plan view thereof; and,  
 FIG. 6 is a bottom view thereof.

The broken lines shown are included for the purpose of illustrating a portion of the utensil handle that forms no part of the claimed design.

**1 Claim, 3 Drawing Sheets**



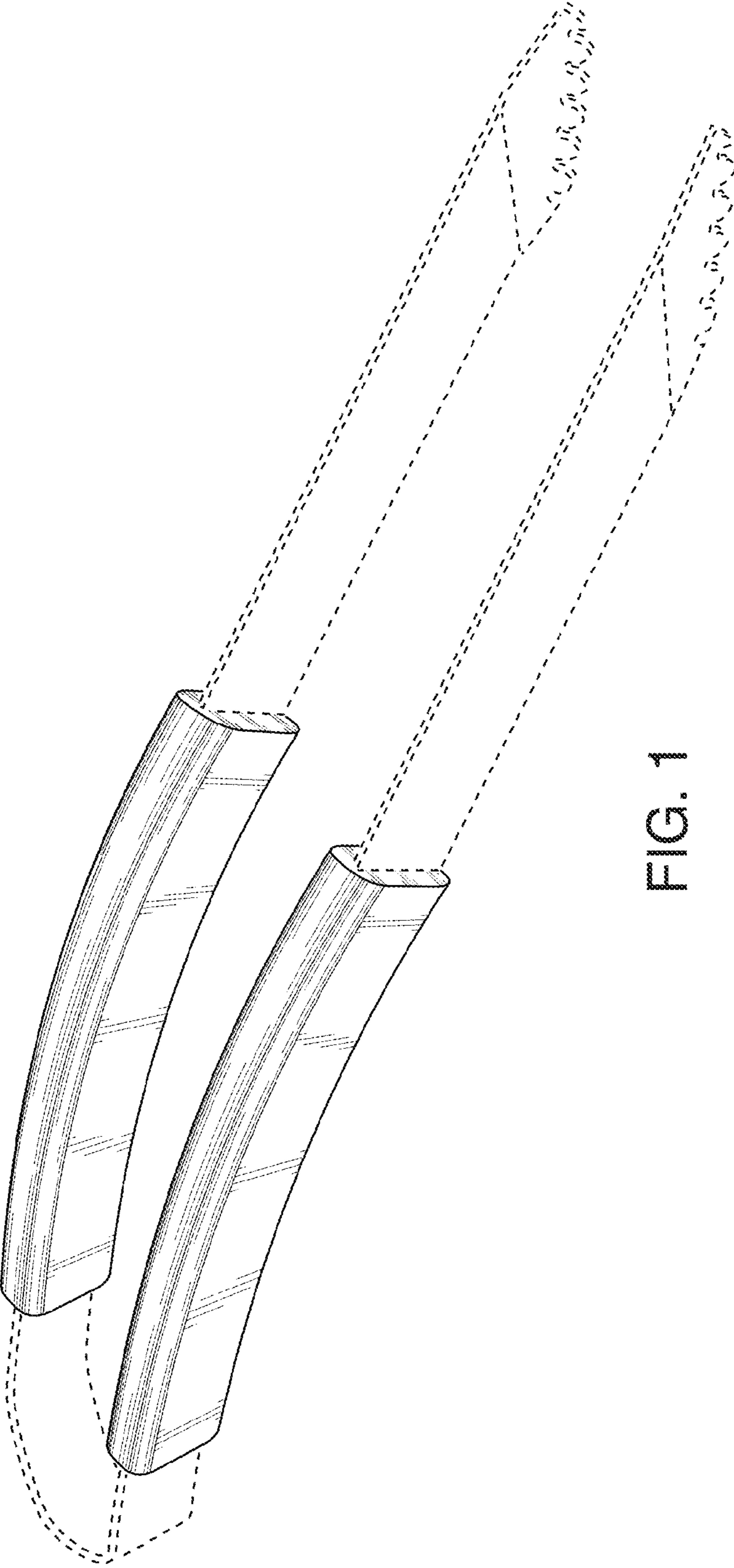


FIG. 1

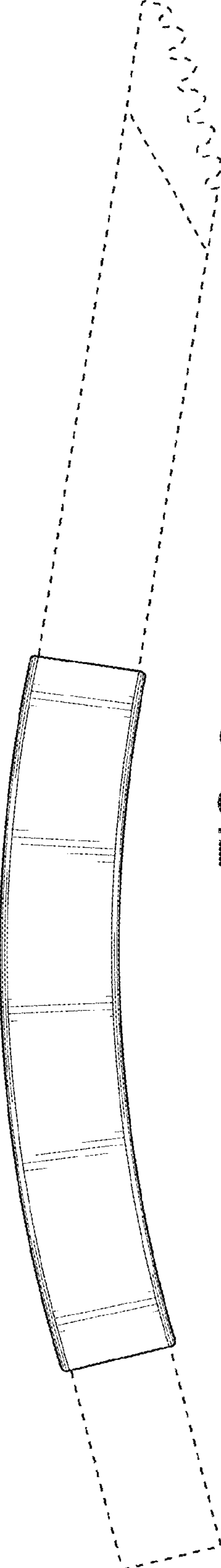


FIG. 2

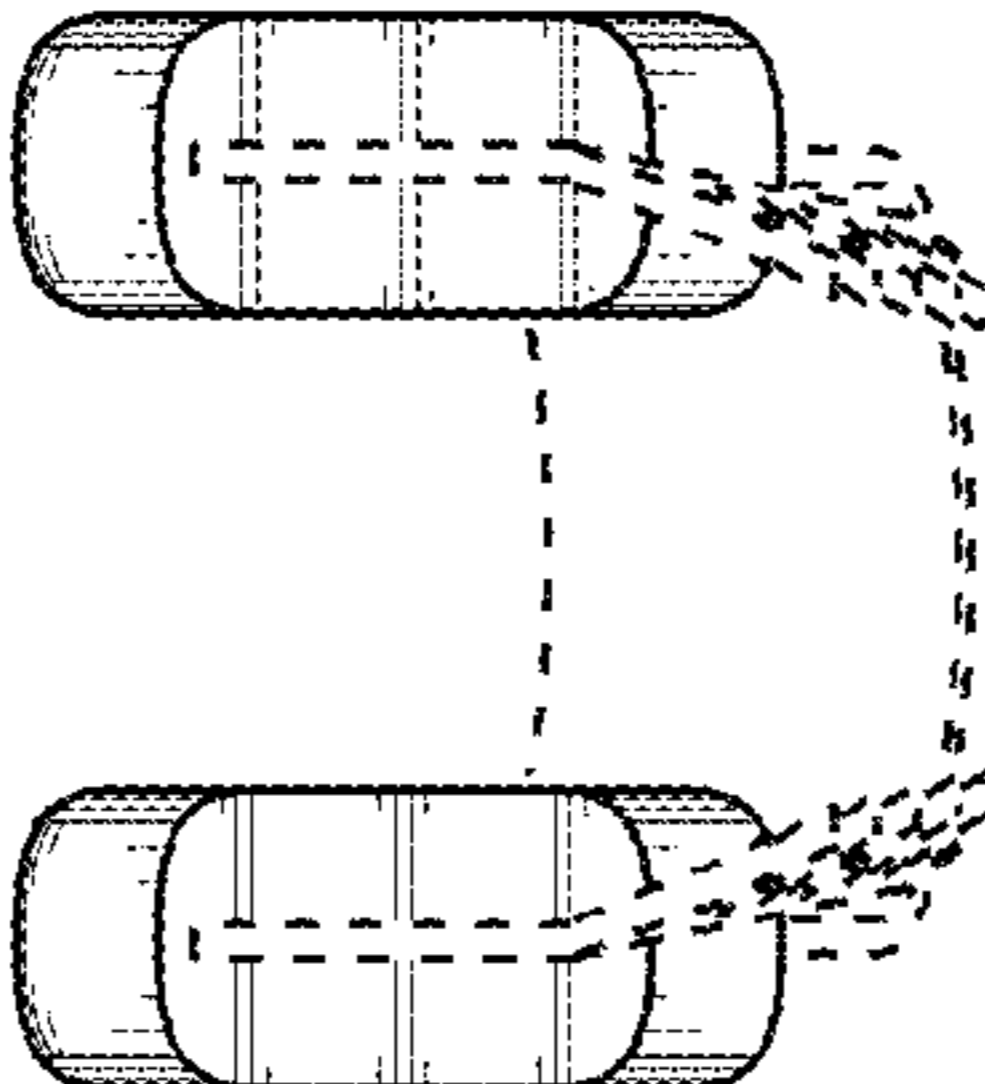


FIG. 3

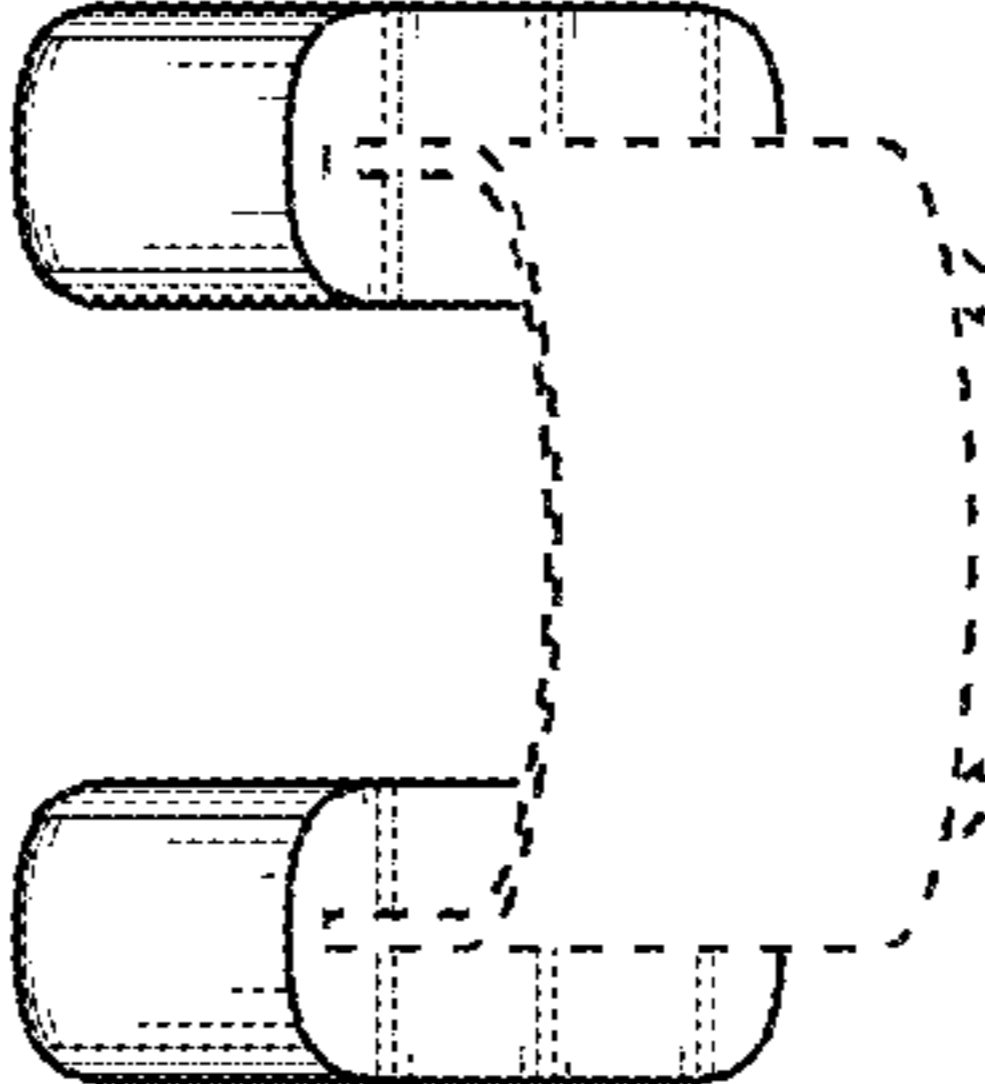


FIG. 4

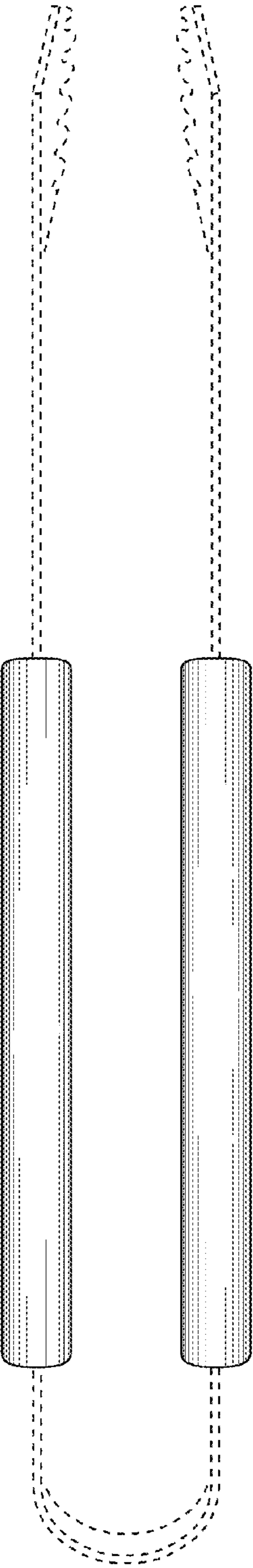


FIG. 5

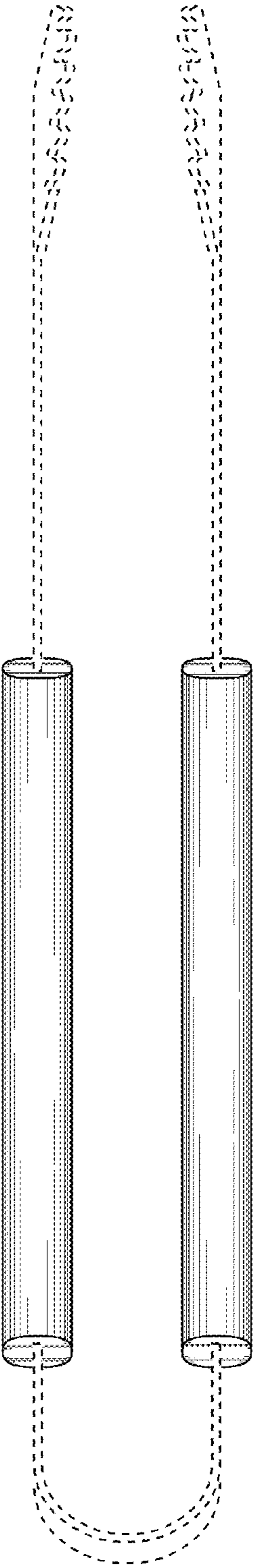


FIG. 6