



US00D717102S

(12) **United States Design Patent**
Taketani et al.

(10) **Patent No.:** **US D717,102 S**
(45) **Date of Patent:** **** Nov. 11, 2014**

- (54) **LID**
- (71) Applicant: **Takeya USA Corporation**, Huntington Beach, CA (US)
- (72) Inventors: **Hiroshi Taketani**, Osaka (JP); **Yukio Kino**, Osaka (JP)
- (73) Assignee: **Takeya USA Corporation**, Huntington Beach, CA (US)
- (**) Term: **14 Years**
- (21) Appl. No.: **29/460,971**
- (22) Filed: **Jul. 17, 2013**

3,844,450 A	10/1974	Johnson
4,276,992 A	7/1981	Susich
D264,926 S	6/1982	McClelland
4,487,114 A	12/1984	Abdenour
D286,967 S	12/1986	Appel
D301,296 S	5/1989	Hsu
D302,370 S	7/1989	Gibert
D306,547 S	3/1990	Wolfenden
D308,460 S	6/1990	Balzano
D313,726 S	1/1991	Scherer
D316,206 S	4/1991	Daenen et al.
D319,368 S	8/1991	Picozza et al.
D321,301 S	11/1991	Purkapile
5,231,918 A	8/1993	Grzywna
5,318,791 A	6/1994	Millman et al.

(Continued)

FOREIGN PATENT DOCUMENTS

CN	20165843	12/2010
JP	8310531	11/1996
JP	11075693	3/1999

Primary Examiner — George D Kirschbaum

Assistant Examiner — Kendra L Hamilton

(74) *Attorney, Agent, or Firm* — Knobbe Martens Olson & Bear LLP

Related U.S. Application Data

(63) Continuation-in-part of application No. 12/556,835, filed on Sep. 10, 2009.

(51) **LOC (10) Cl.** **07-02**

(52) **U.S. Cl.**
USPC **D7/392.1**

(58) **Field of Classification Search**
CPC B65D 41/04
USPC 215/387, 388, 11.1, 41; D7/391, 392.1, D7/393, 510, 511; 220/200, 212; D9/449, D9/447, 443, 451, 761, 561, 552, 452, 450, D9/453, 440

See application file for complete search history.

(57) **CLAIM**

The ornamental design for a lid, as shown and described.

DESCRIPTION

FIG. 1 is a top, front and side perspective view of a lid embodying the new design.

FIG. 2 is a first side view thereof.

FIG. 3 is a second side view thereof; and,

FIG. 4 is a front view thereof, the back being a mirror image.

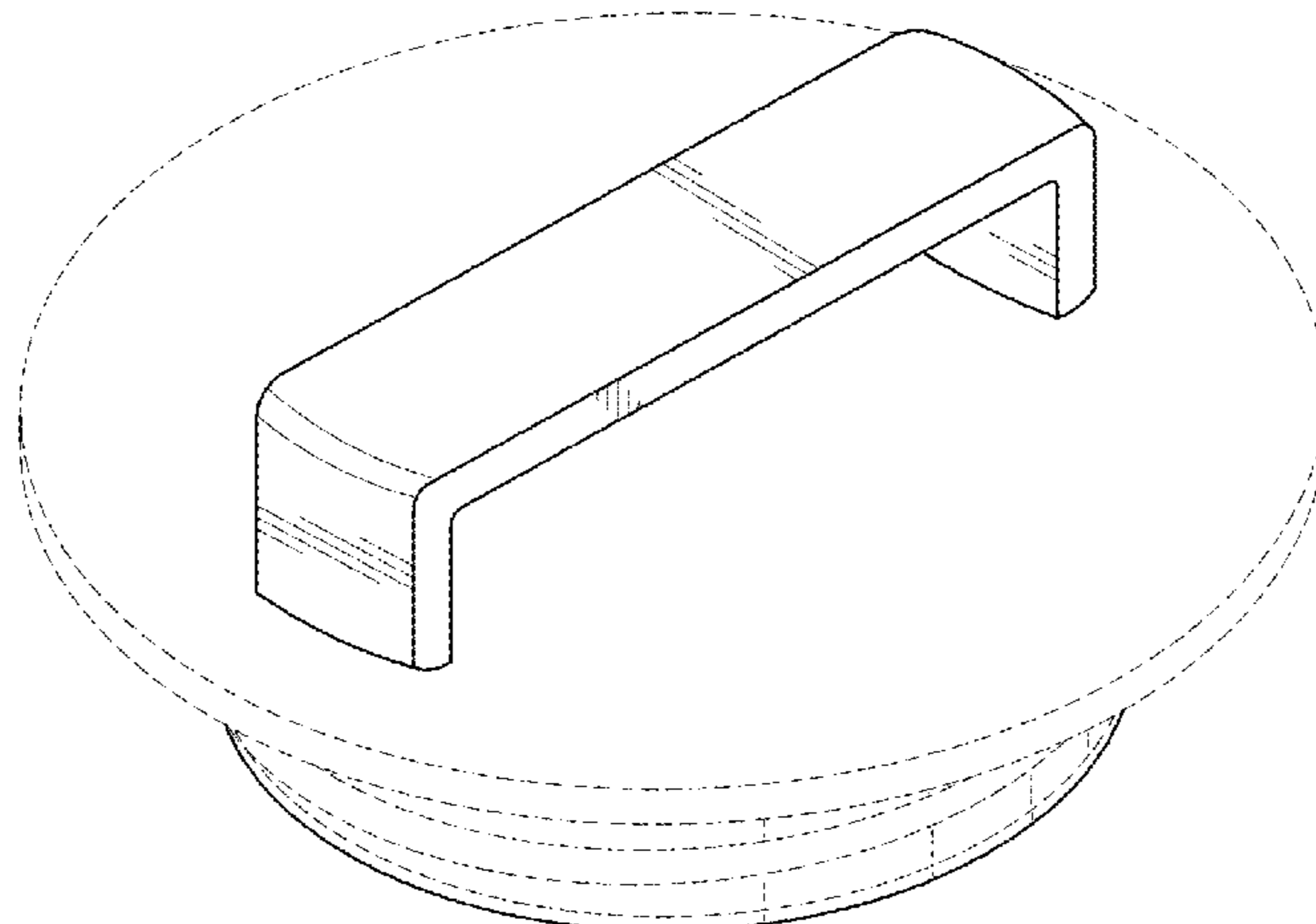
Broken lines illustrating threads on the lid form no part of the claimed design. Portions of the underside of the lid not shown in the drawing form no part of the claimed design.

1 Claim, 3 Drawing Sheets

(56) **References Cited**

U.S. PATENT DOCUMENTS

2,055,096 A	9/1936	Dehn et al.	
D102,574 S	* 12/1936	Nelson	D7/391
D157,795 S	3/1950	Schwarz	
3,463,947 A	8/1969	Taylor	
D216,370 S	12/1969	Tsoo-Hing et al.	



(56)

References Cited

U.S. PATENT DOCUMENTS

5,363,745	A	11/1994	Lin	6,871,914	B2 *	3/2005	Stewart, Jr.	301/37.104
5,477,979	A	12/1995	Goessling et al.	7,032,507	B2	4/2006	Cai	
5,531,353	A	7/1996	Ward et al.	D530,590	S *	10/2006	Singtoroj et al.	D8/302
5,613,616	A	3/1997	Monus	7,219,600	B1	5/2007	Haven et al.	
5,680,951	A	10/1997	Feltman, III et al.	D560,951	S	2/2008	Appleton	
D406,011	S	2/1999	Hatsumoto et al.	D569,324	S *	5/2008	Gosnell et al.	D12/213
5,913,964	A	6/1999	Melton	D569,618	S *	5/2008	Kirk	D3/291
D427,846	S *	7/2000	Hajwanie	D571,145	S *	6/2008	Rae	D7/391
6,095,033	A	8/2000	Melton	D579,717	S *	11/2008	Pawson et al.	D7/391
6,231,226	B1	5/2001	Neidigh	D587,513	S	3/2009	Bodum	
D446,681	S	8/2001	Weibel	D587,957	S	3/2009	Imai	
6,269,736	B1	8/2001	Melton	D592,123	S *	5/2009	Cady	D12/312
6,276,262	B1	8/2001	Chen	D597,396	S *	8/2009	Menzies	D8/315
6,314,866	B1	11/2001	Melton	D602,730	S	10/2009	Kino	
6,372,270	B1	4/2002	Denny	7,779,751	B2 *	8/2010	Gilbert	99/318
RE37,773	E	7/2002	Trombley	7,992,487	B1 *	8/2011	Kahl	99/275
6,442,961	B1	9/2002	Rosenberg et al.	2003/0080048	A1	5/2003	Lin	
D473,092	S	4/2003	Heiberg et al.	2004/0261631	A1	12/2004	Lee	
6,578,726	B1	6/2003	Schaefer	2006/0185521	A1	8/2006	Publicover et al.	
D484,743	S	1/2004	Furlong	2009/0178573	A1	7/2009	Pan	
6,752,287	B1	6/2004	Lin	2010/0263549	A1	10/2010	Lee	
6,758,363	B2	7/2004	Stokes	2011/0056386	A1	3/2011	Taketani	
6,763,964	B1	7/2004	Hurlbut et al.	2011/0162532	A1	7/2011	Gilbert	
				2011/0219956	A1	9/2011	Englert et al.	
				2012/0225175	A1 *	9/2012	Lown	426/435

* cited by examiner

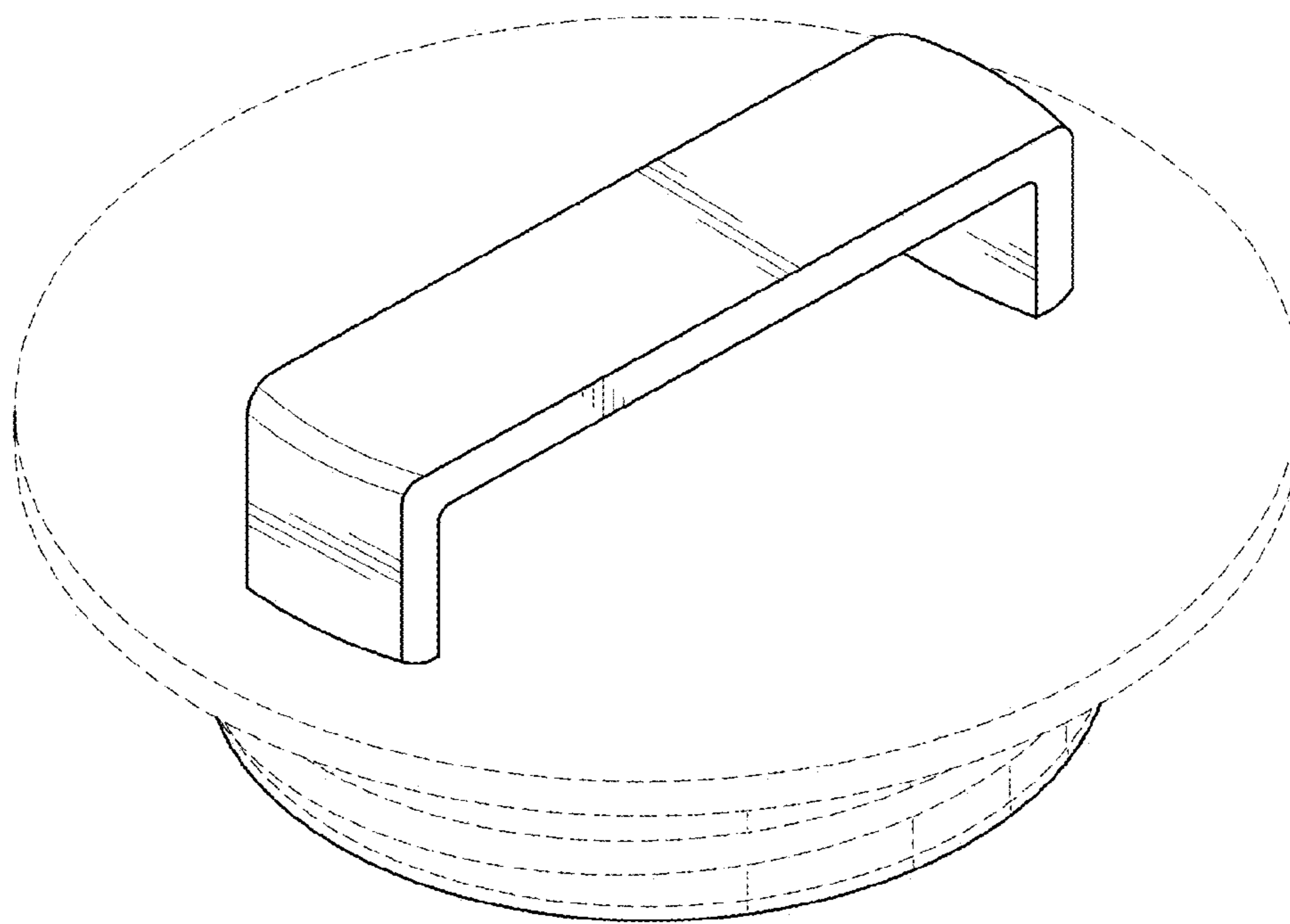


FIG. 1

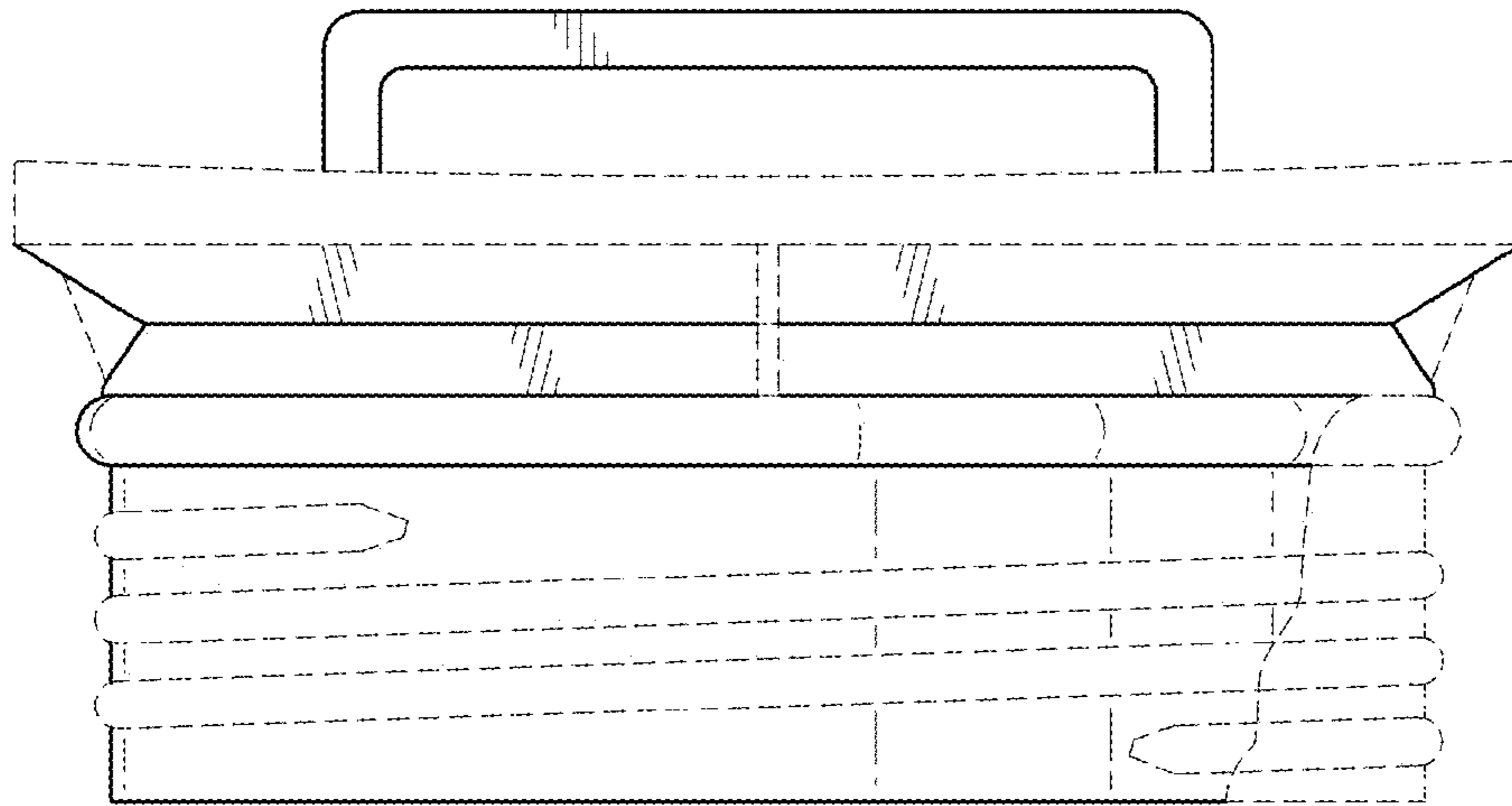


FIG. 2

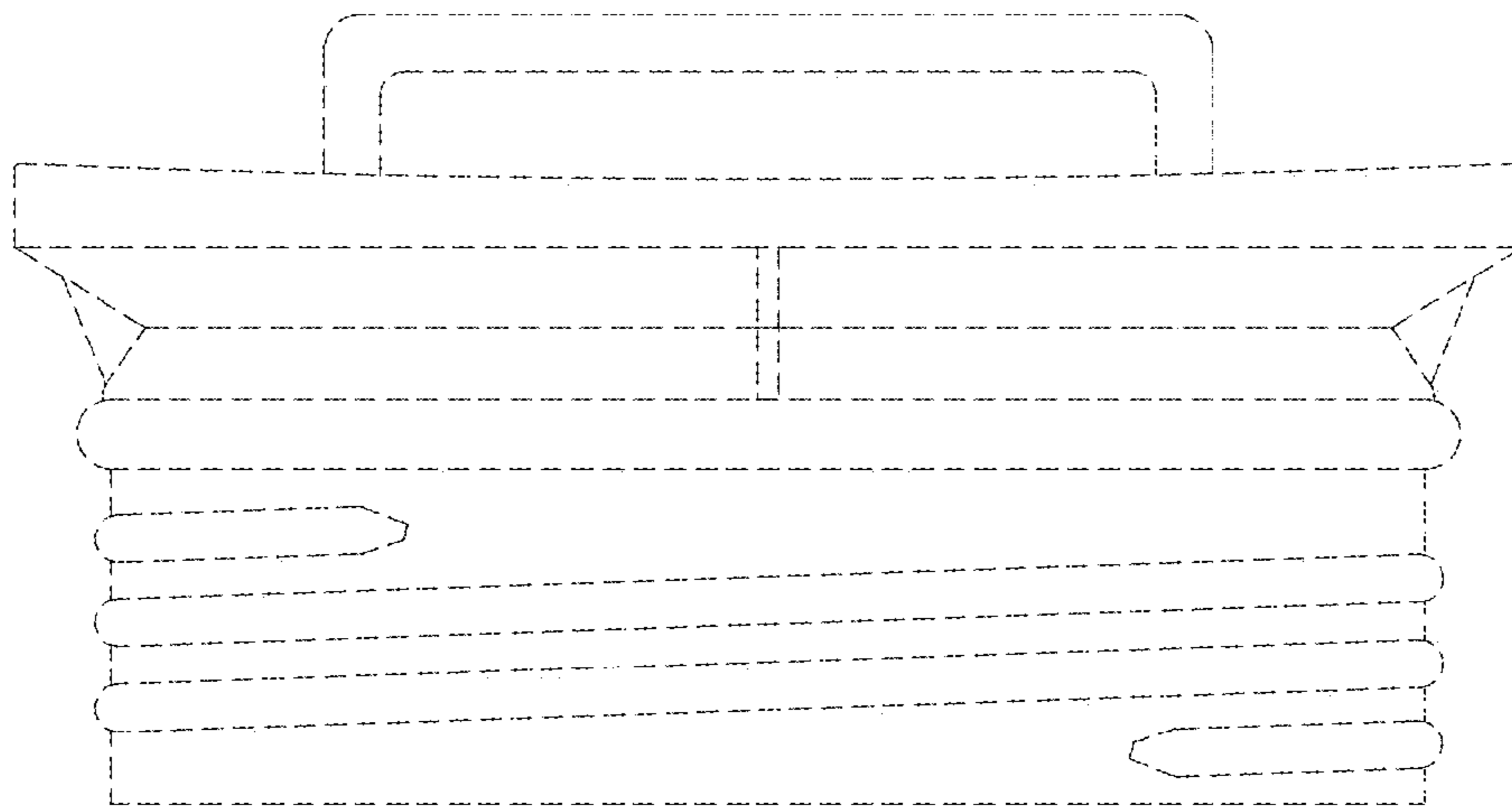


FIG. 3

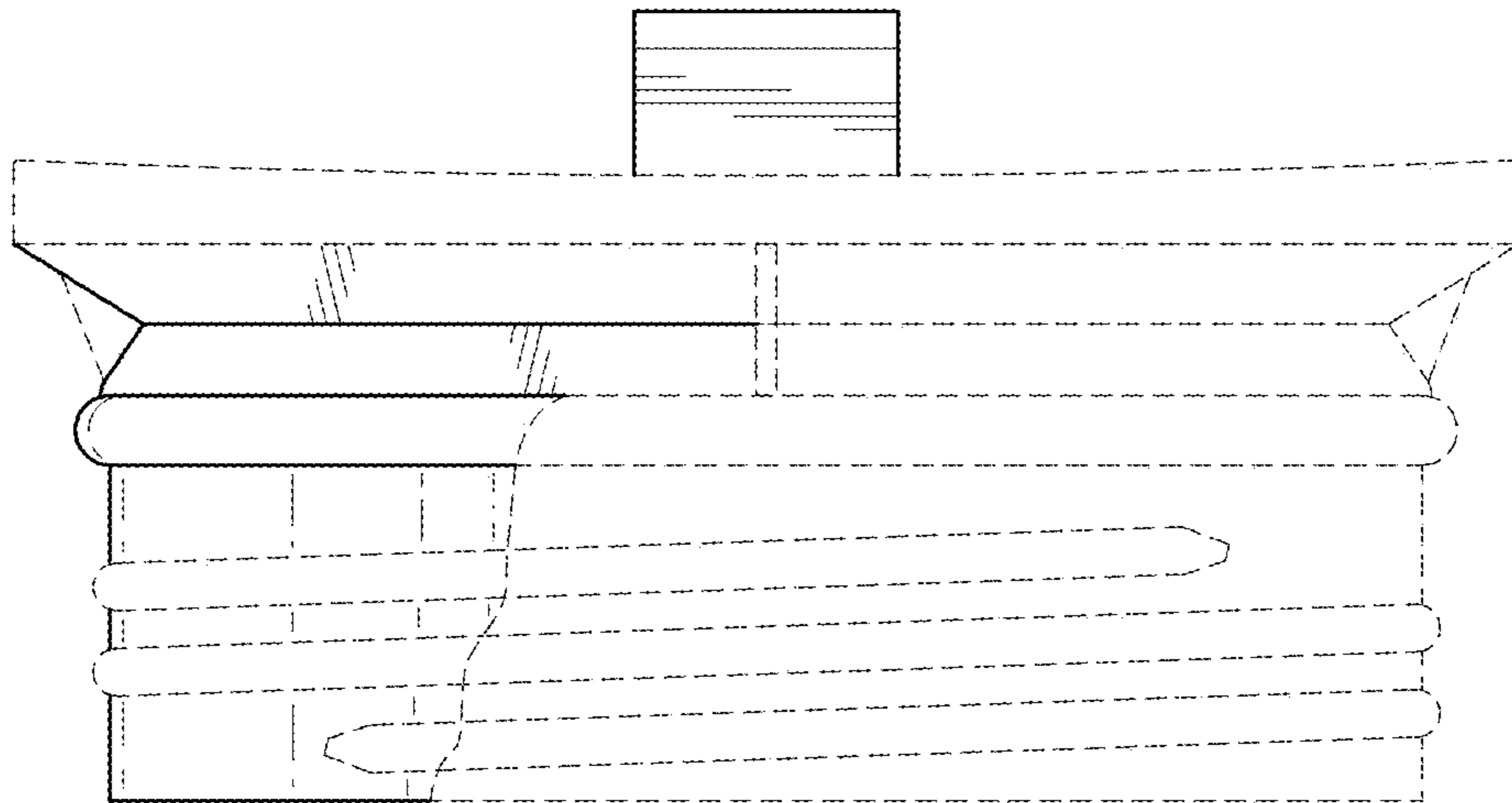


FIG. 4