



US00D717100S

(12) **United States Design Patent**
Moser et al.

(10) **Patent No.:** **US D717,100 S**
(45) **Date of Patent:** **** Nov. 11, 2014**

(54) **COOKWARE VESSEL**

(56)

References Cited

(71) Applicant: **WKI Holding Company, Inc.**,
Rosemont, IL (US)
(72) Inventors: **Anne Clare Moser**, Chicago, IL (US);
Randy Brian Soibel, Chicago, IL (US);
Pat Kerulis, Bartlett, IL (US);
Rongming Yang, Yifeng (CN)

U.S. PATENT DOCUMENTS

(73) Assignee: **WKI Holding Company, Inc.**,
Rosemont, IL (US)

(**) Term: **14 Years**

(21) Appl. No.: **29/484,581**

(22) Filed: **Mar. 11, 2014**

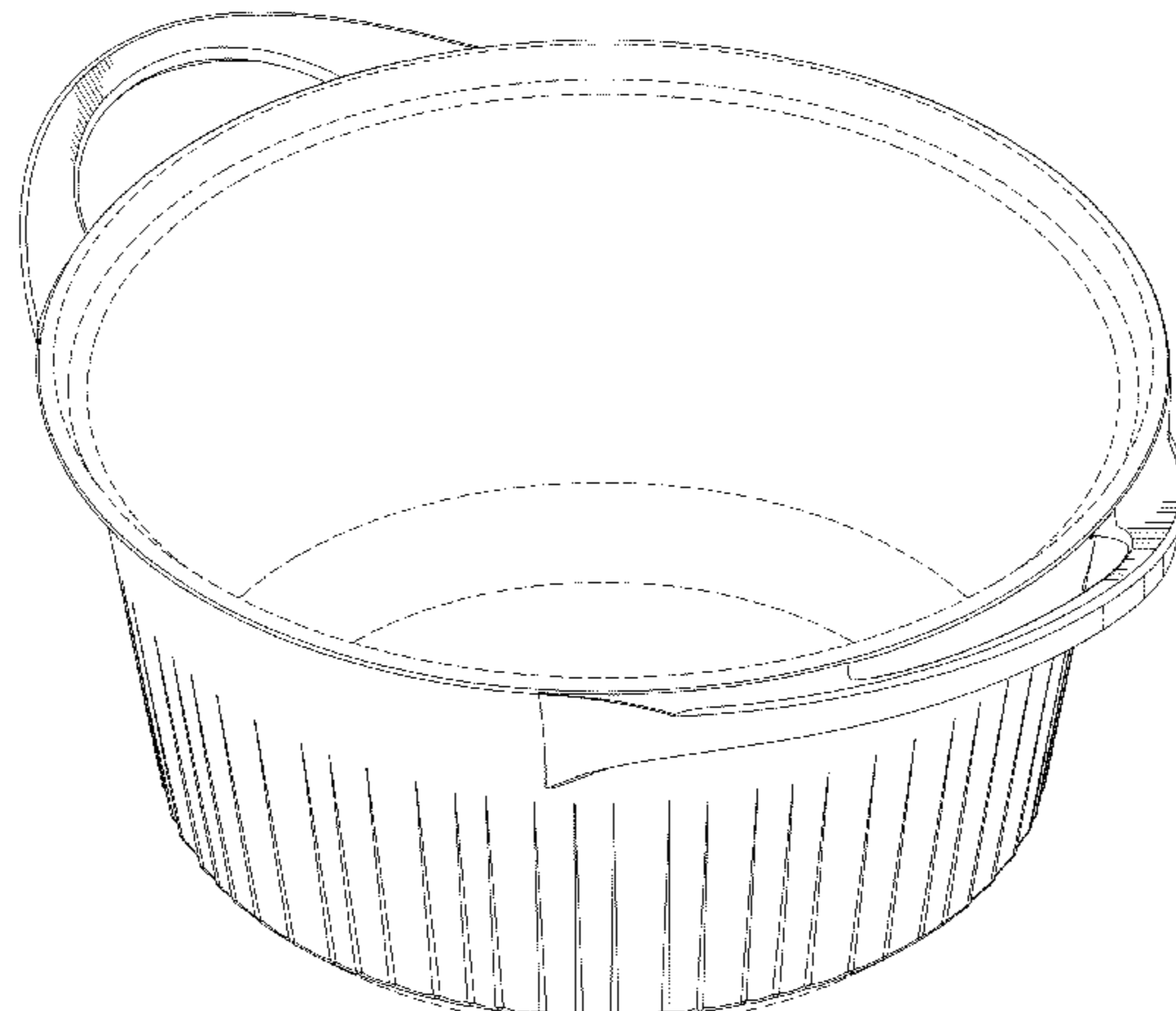
(51) **LOC (10) Cl.** **07-02**

(52) **U.S. Cl.**
USPC **D7/360; D7/354**

(58) **Field of Classification Search**
CPC A47G 19/12; A47G 27/00; A47G 27/002;
A47G 27/08; A47G 27/21; A47G 27/58;
A47G 36/025; A47G 36/06; A47G 36/12;
A47G 37/00; A47G 37/101; A47G 37/10;
A47G 37/103; A47G 37/12; A47G 37/1204;
A47G 45/0061; A47G 45/071; A47G 45/08;
H05B 6/12
USPC D7/323, 354-363, 391, 393-396, 396.1,
D7/409, 538-545, 586; 99/324, 331,
99/339-340, 403, 425-426, 444-445;
126/373.1, 383.1-384.1, 390.1;
219/438-439, 620-622; 220/534, 543,
220/573.1-573.5, 752-753, 755-759, 912;
222/465.1, 470, 475.1

See application file for complete search history.

D43,852 S	4/1913	Sanford	
D44,163 S	6/1913	Baxter et al.	
D49,639 S	9/1916	Beiswanger	
D51,878 S	3/1918	Evans	
D52,692 S	11/1918	Beiswanger	
D52,727 S	12/1918	Beiswanger	
D54,956 S	4/1920	Reily	
D56,336 S	10/1920	Beiswanger	
D57,182 S	3/1921	Beiswanger	
D57,183 S	3/1921	Beiswanger	
1,529,072 A	3/1925	Lennox	
D111,229 S	9/1938	Spence	
D186,852 S	12/1959	Stickney et al.	
D192,435 S	3/1962	Goodman	
D194,247 S	12/1962	Eicholtz	
3,154,215 A	10/1964	Le Vesconte	
3,254,487 A	6/1966	Baehr	
3,545,645 A	12/1970	Smith	
D238,647 S	2/1976	Gulotta	
4,026,458 A	5/1977	Morris et al.	
D247,601 S	3/1978	Schreckengost	
D264,793 S	* 6/1982	Blake	D7/539
D282,330 S	1/1986	McBride	
D285,534 S	9/1986	Itoh et al.	
D291,398 S	8/1987	Schmidt	
4,715,144 A	12/1987	Lee	
D293,823 S	1/1988	Fieschi et al.	
D298,303 S	11/1988	Lee	
D306,972 S	4/1990	Moloney et al.	
5,004,121 A	4/1991	Howe	
D324,324 S	3/1992	Picozza	
D325,848 S	5/1992	Embree	
5,169,023 A	12/1992	Heiberg et al.	
D332,750 S	1/1993	Moloney et al.	
D332,894 S	2/1993	Green	
D333,708 S	3/1993	Dordick	
D334,114 S	3/1993	Narsutis	
5,266,763 A	11/1993	Colombo	
D344,875 S	3/1994	Pomroy et al.	
D353,519 S	12/1994	Wolfenden	
D365,501 S	12/1995	Daugherty et al.	
D375,657 S	11/1996	Jarvis	
D375,871 S	11/1996	Jarvis	
D376,960 S	12/1996	Ferris	
D380,647 S	7/1997	Durand	
D386,046 S	11/1997	Bruckner	
D389,741 S	1/1998	Barrie, II	
D392,881 S	3/1998	Bulcher et al.	
D395,822 S	7/1998	Keal et al.	



D398,185 S	9/1998	Emrich	
D406,726 S	3/1999	Horvat	
D410,096 S	5/1999	Majerowski	
D411,075 S	6/1999	Emrich	
D413,766 S	9/1999	Hou	
D415,935 S	11/1999	Martinez	
D438,794 S	3/2001	Miles et al.	
D452,821 S	1/2002	Westphal	
D455,049 S	4/2002	Kell	
D460,663 S	7/2002	Seager	
D467,128 S	12/2002	Thonis et al.	
D469,313 S	1/2003	Thonis et al.	
D469,314 S	1/2003	Thonis et al.	
D469,315 S	1/2003	Thonis et al.	
D469,662 S	2/2003	Thonis et al.	
D473,426 S *	4/2003	Jalet et al.	D7/545
D493,668 S	8/2004	Hsu	
D514,949 S	2/2006	Dalton et al.	
D515,872 S *	2/2006	Vendl et al.	D7/545
D544,298 S *	6/2007	Eide et al.	D7/396.1
D544,307 S *	6/2007	Ablo	D7/540
D551,025 S	9/2007	Serra	
D572,523 S *	7/2008	Baker	D7/360
D586,176 S *	2/2009	Loring	D7/360
D587,065 S *	2/2009	Loring	D7/391
D653,910 S *	2/2012	Stamper et al.	D7/543
D653,911 S *	2/2012	Stamper et al.	D7/543
D685,612 S *	7/2013	Ludeman et al.	D7/545
D688,917 S *	9/2013	Ludeman et al.	D7/586
D689,335 S *	9/2013	Ludeman et al.	D7/586

OTHER PUBLICATIONS

Anchor Hocking Glass Company container located in the book, "Kitchen Glassware of the Depression Years," fifth edition by Gene Florence. Publisher: Collector Books, copyright 1995. See: Part 2 Kitchen Items Batter Jugs and Batter Bowls on p. 88; description on p. 88, bottom left, row 1; photo on p. 91, row 1; description on p. 92, bottom right, row 4, # 3; and photo on p. 95, row 4.
 Corningware Housewares Catalog, 1981, pp. 4-5, 10-11.
 Corningware Housewares Catalog, 1982, pp. 7, 14, 15.
 Corningware French White Catalog, 1991, 2 pages.
 Corningware French White Cookware Catalog, 1994, p. 33.
 Corningware Housewares Catalog, 1998, 2 pages.
 Corningware Housewares Catalog, 1999, 5 pages.
 Corningware French White Catalog, 2000, 4 pages.
 Corningware Just White Tableware Catalog, 2001, 3 pages.
 Corningware French White Tableware Catalog, date unknown.
 Corningware Contemporary Cookware Catalog, date unknown, p. 9.

* cited by examiner

Primary Examiner — Ricky Pham
 (74) Attorney, Agent, or Firm — McDermott Will & Emery LLP

(57) CLAIM

The ornamental design for a cookware vessel, as shown and described.

DESCRIPTION

FIG. 1 is a top perspective view of a cookware vessel according to the new design;
 FIG. 2 is a bottom perspective view of the outer surface of a cookware vessel shown in FIG. 1;
 FIG. 3 is a top view of the cookware vessel shown in FIG. 1;
 FIG. 4 is a bottom view of the cookware vessel shown in FIG. 1;
 FIG. 5 is a side elevation view of the cookware vessel shown in FIG. 1;
 FIG. 6 is an opposite side elevation view of the cookware vessel shown in FIG. 1;
 FIG. 7 is a left end view of the cookware vessel shown in FIG. 1;
 FIG. 8 is a right end view of the cookware vessel shown in FIG. 1;
 FIG. 9 is a cross-sectional view taken along the line 9-9 of the cookware vessel shown in FIG. 5;
 FIG. 10 is a cross-sectional view taken along the line 10-10 of the cookware vessel shown in FIG. 3;
 FIG. 11 is a cross-sectional view taken along the line 11-11 of the cookware vessel shown in FIG. 5;
 FIG. 12 is a cross-sectional view taken along the line 12-12 of the outer surface of a cookware vessel shown in FIG. 6;
 FIG. 13 is a top perspective view of another embodiment of a cookware vessel according to the new design;
 FIG. 14 is a bottom perspective view of the outer surface of a cookware vessel shown in FIG. 13;
 FIG. 15 is a top view of the cookware vessel shown in FIG. 13;
 FIG. 16 is a bottom view of the cookware vessel shown in FIG. 13;
 FIG. 17 is a side elevation view of the cookware vessel shown in FIG. 13;
 FIG. 18 is an opposite side elevation view of the cookware vessel shown in FIG. 13;
 FIG. 19 is a left end view of the cookware vessel shown in FIG. 13;
 FIG. 20 is a right end view of the cookware vessel shown in FIG. 13;
 FIG. 21 is a cross-sectional view taken along the line 21-21 of the cookware vessel shown in FIG. 17;
 FIG. 22 is a cross-sectional view taken along the line 22-22 of the cookware vessel shown in FIG. 15;
 FIG. 23 is a cross-sectional view taken along the line 23-23 of the cookware vessel shown in FIG. 17; and,
 FIG. 24 is a cross-sectional view taken along the line 24-24 of the outer surface of a cookware vessel shown in FIG. 17.
 In the drawings, the broken lines form no part of the claimed design.

1 Claim, 18 Drawing Sheets

FIG. 1

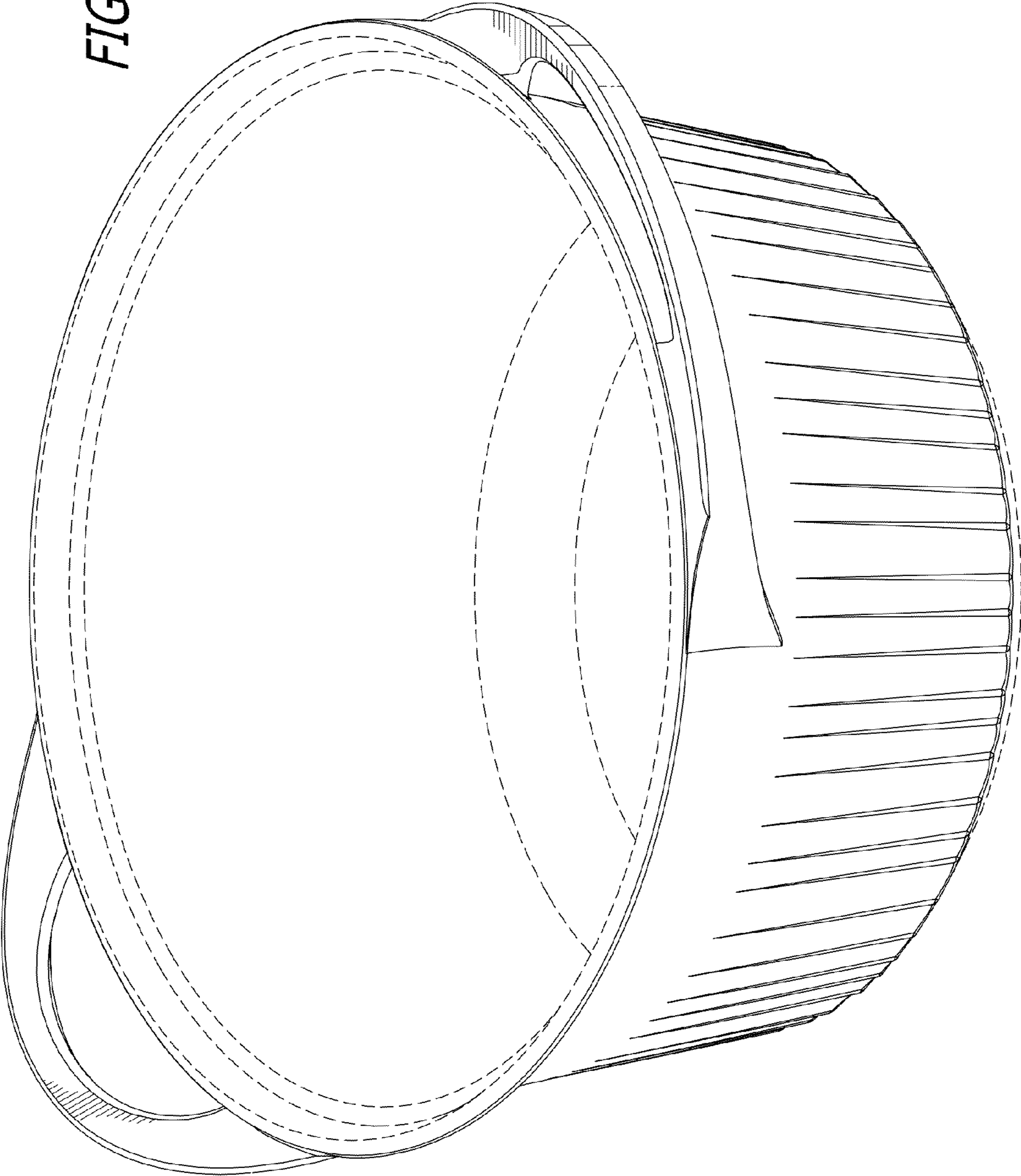
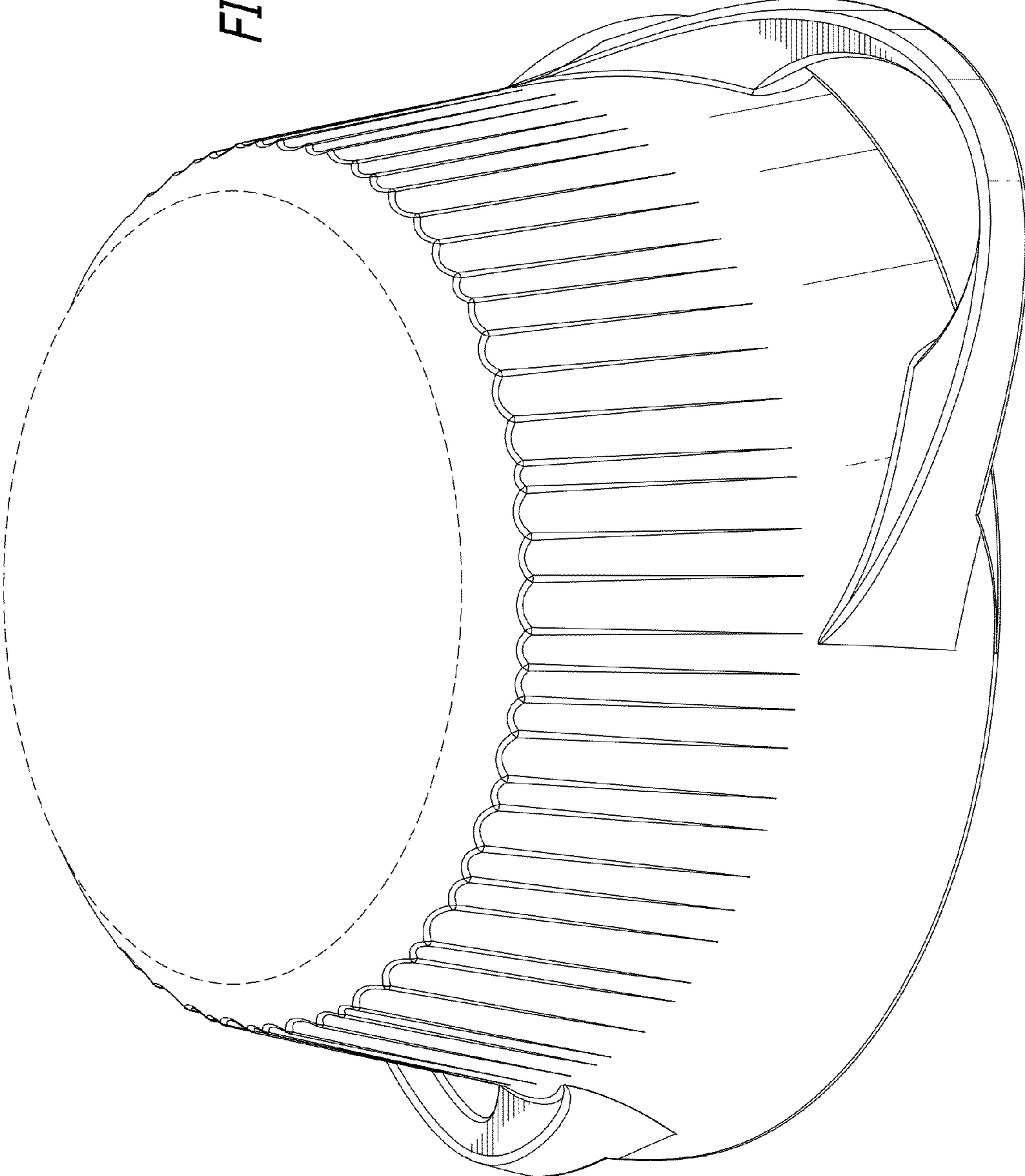


FIG. 2



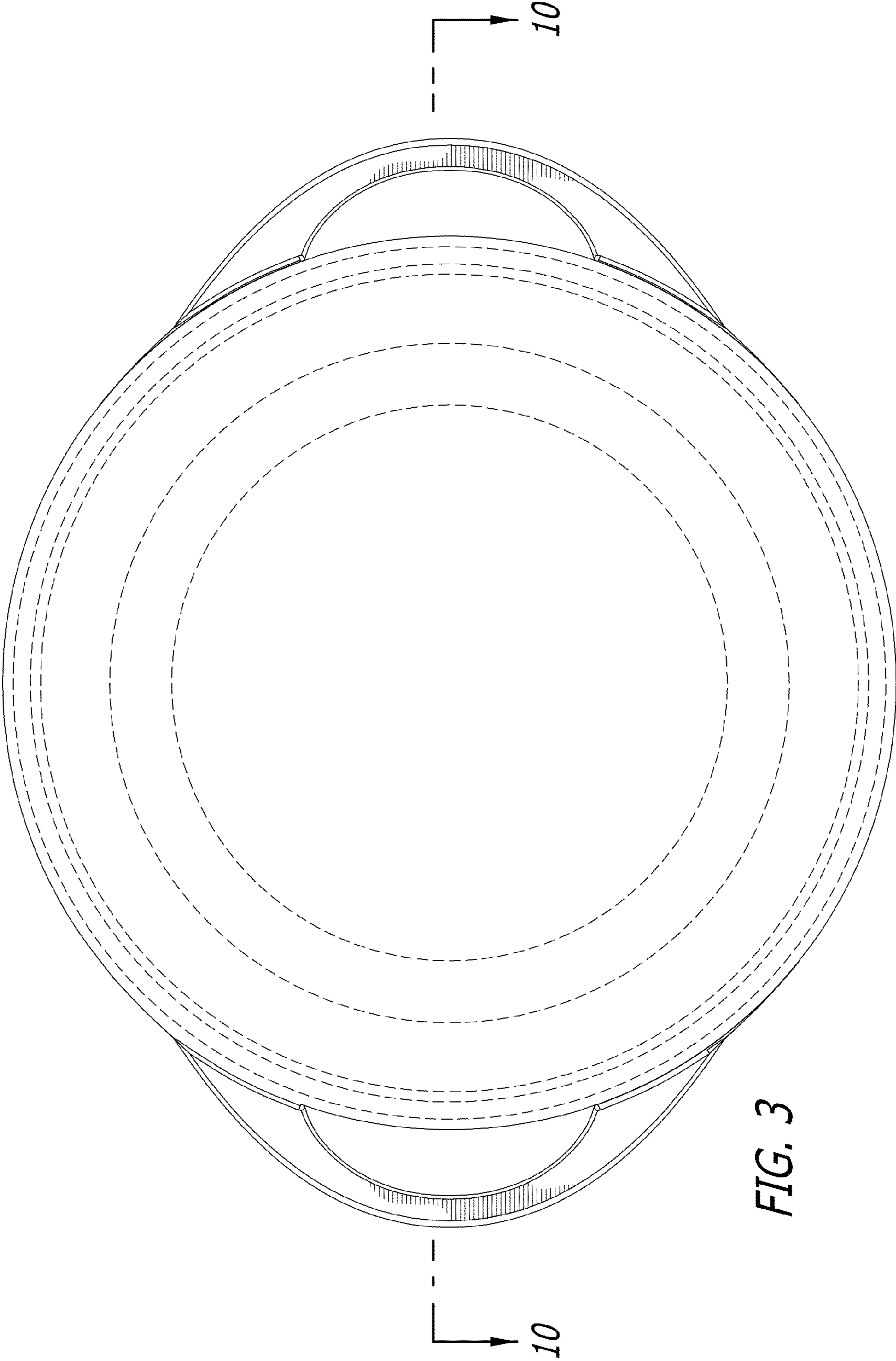


FIG. 3

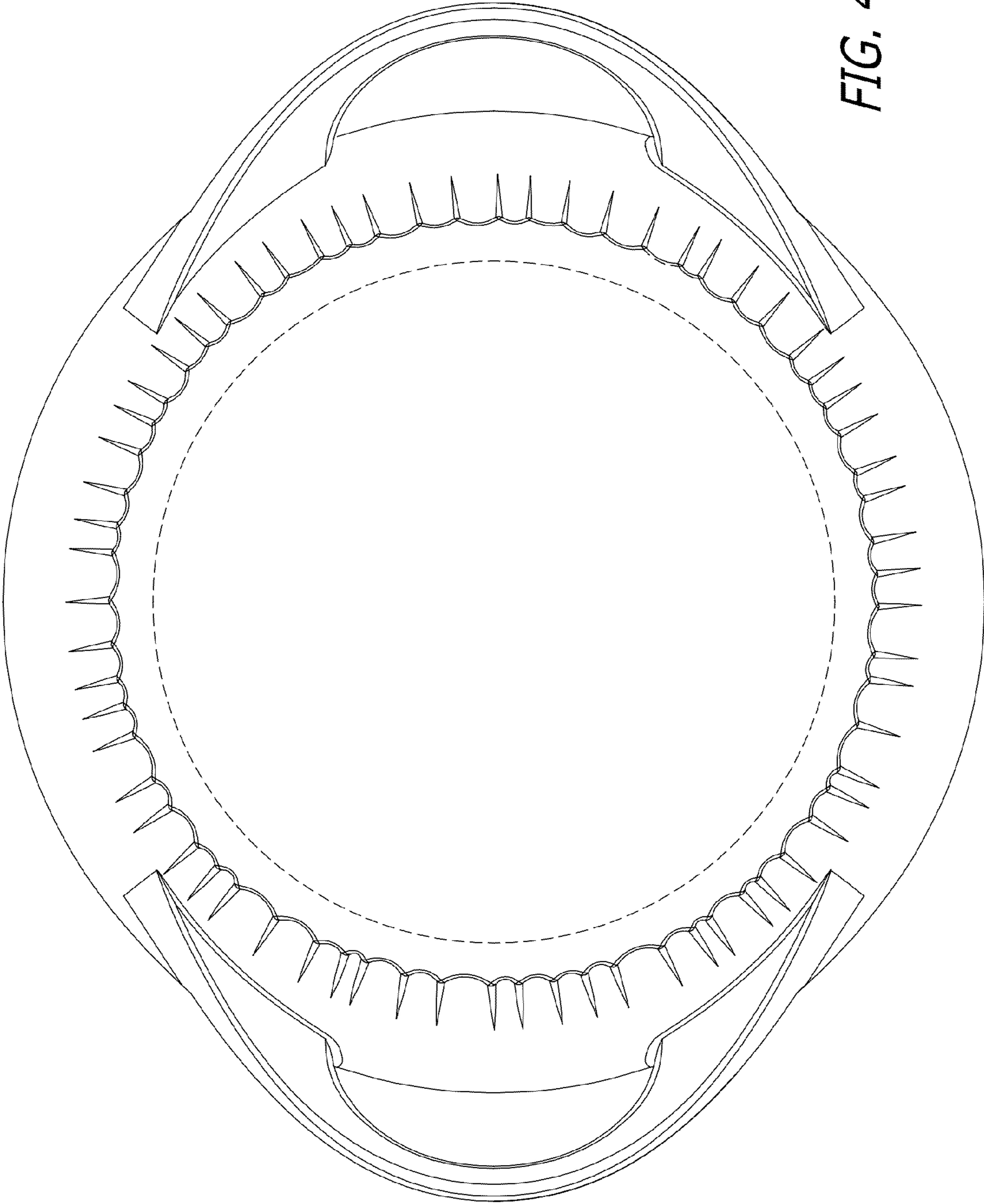


FIG. 4

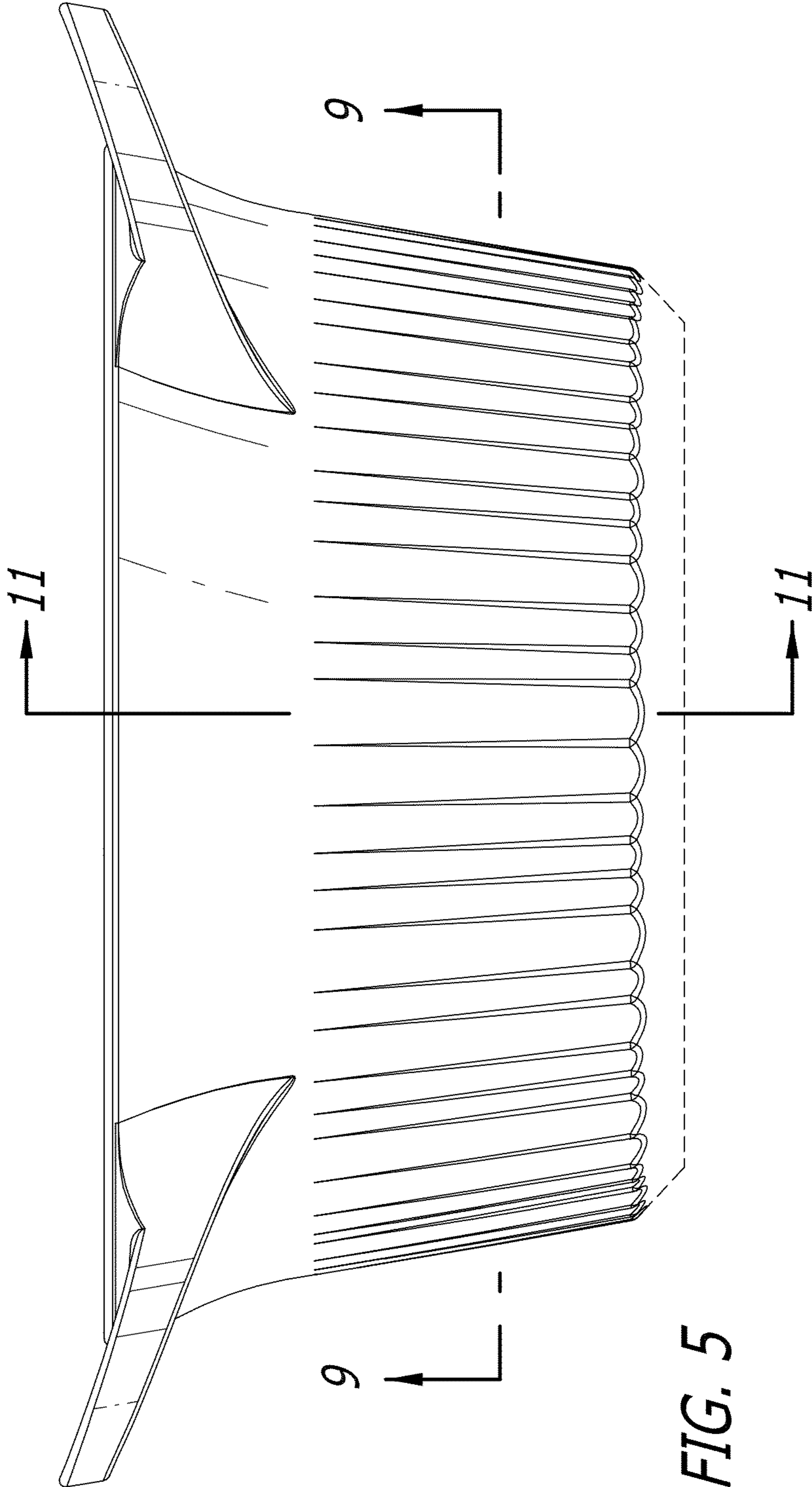
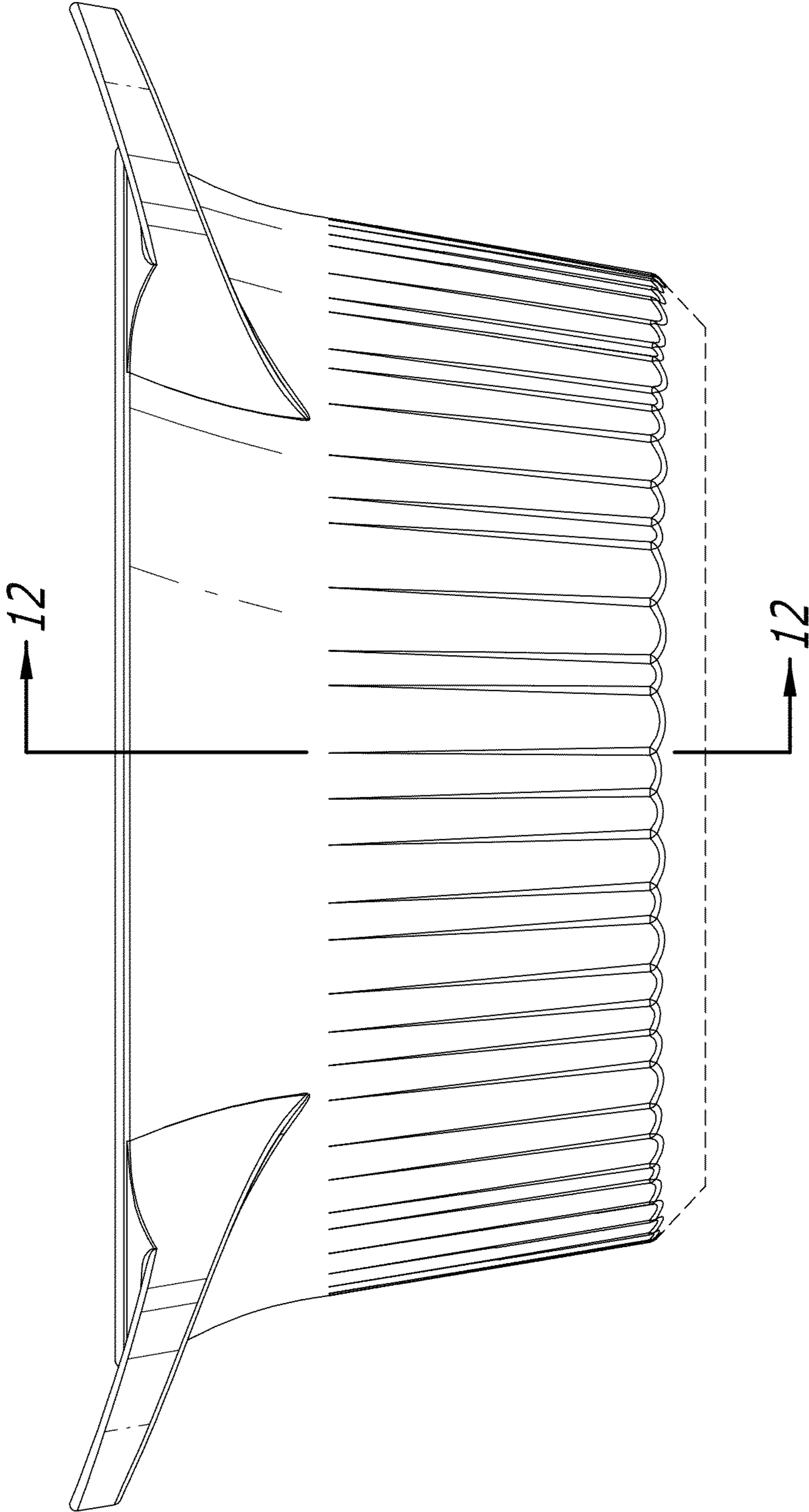
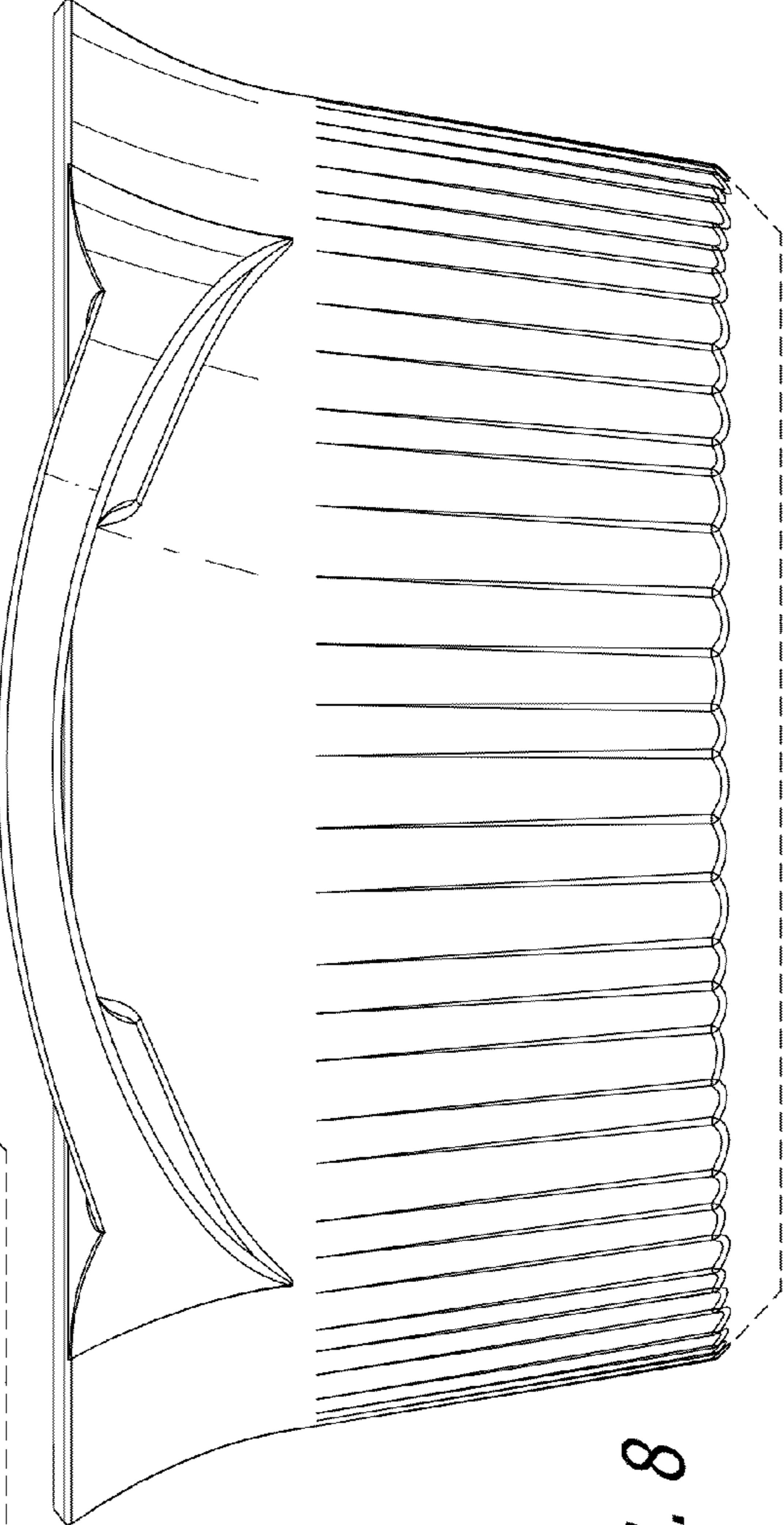
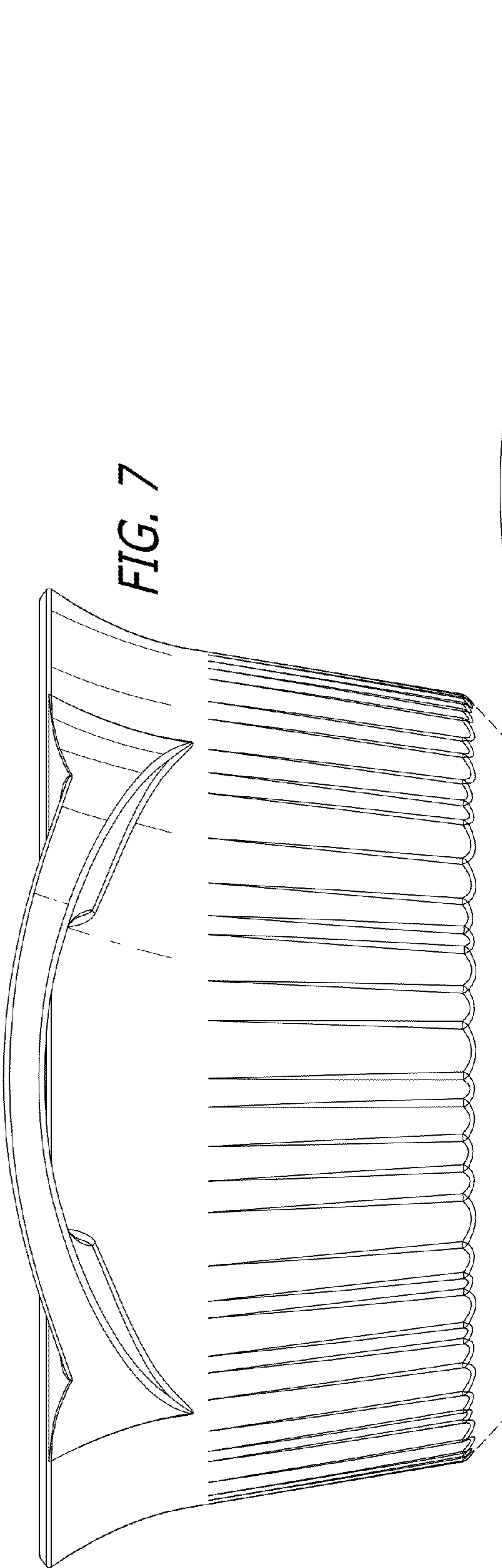


FIG. 5

FIG. 6





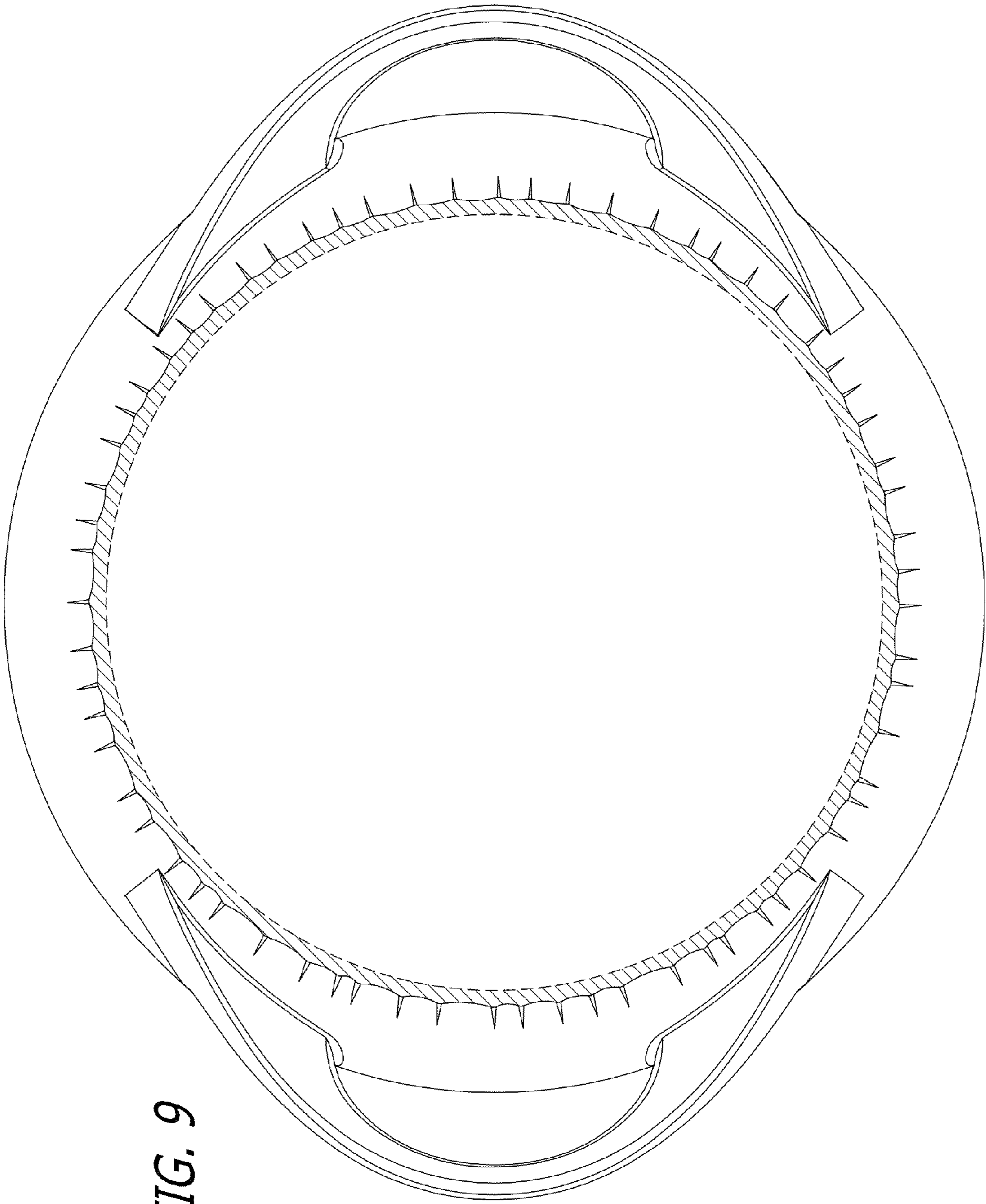


FIG. 9

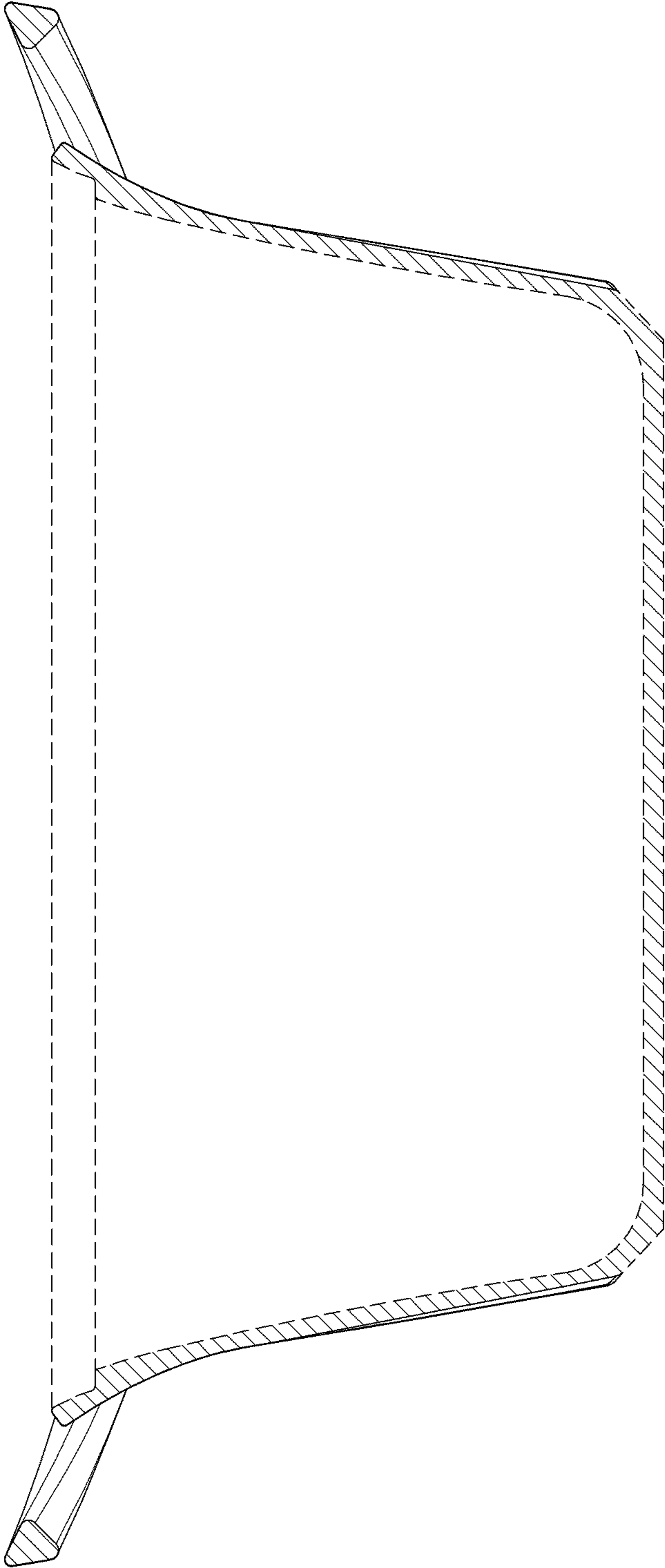


FIG. 10

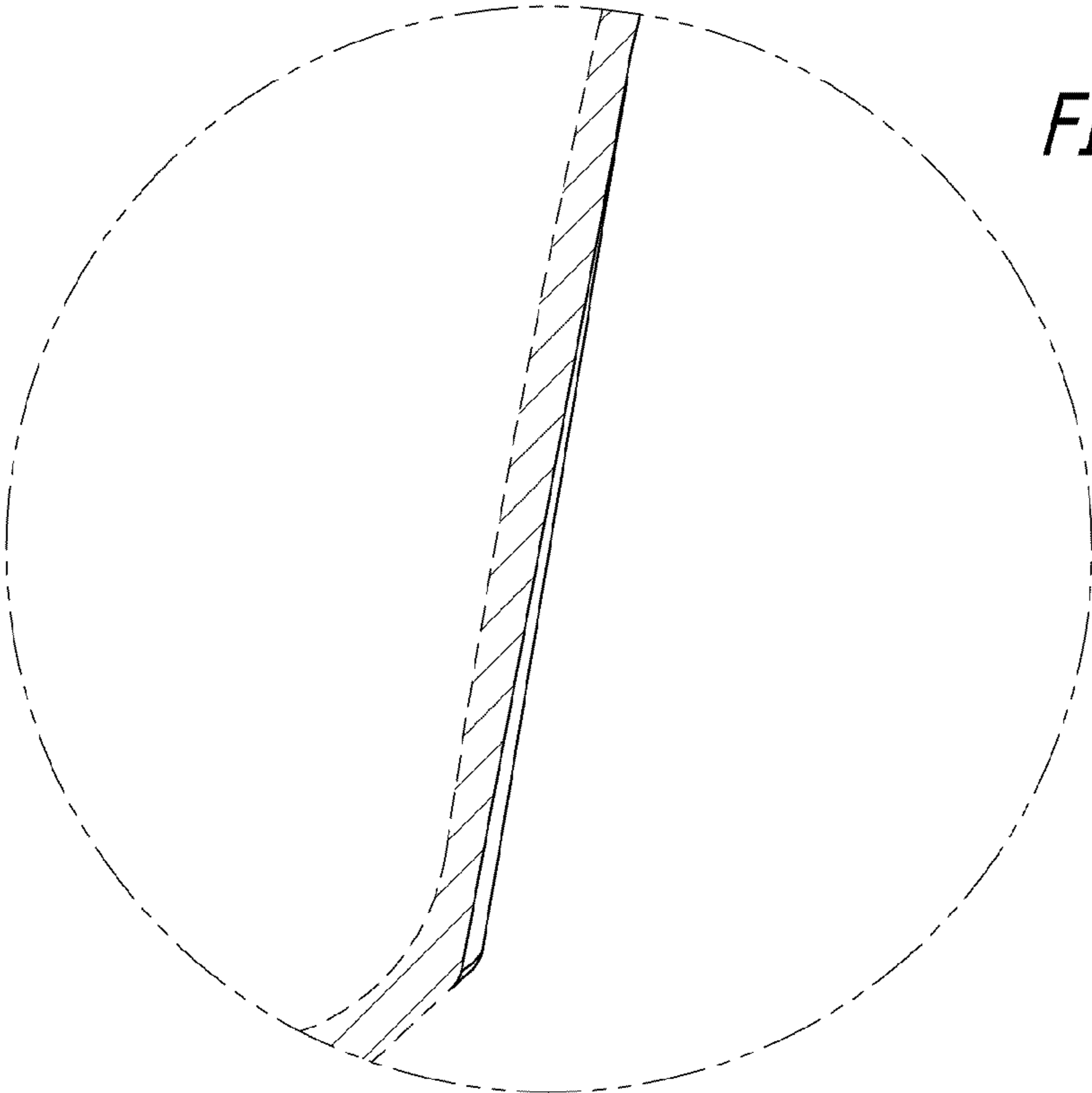


FIG. 11

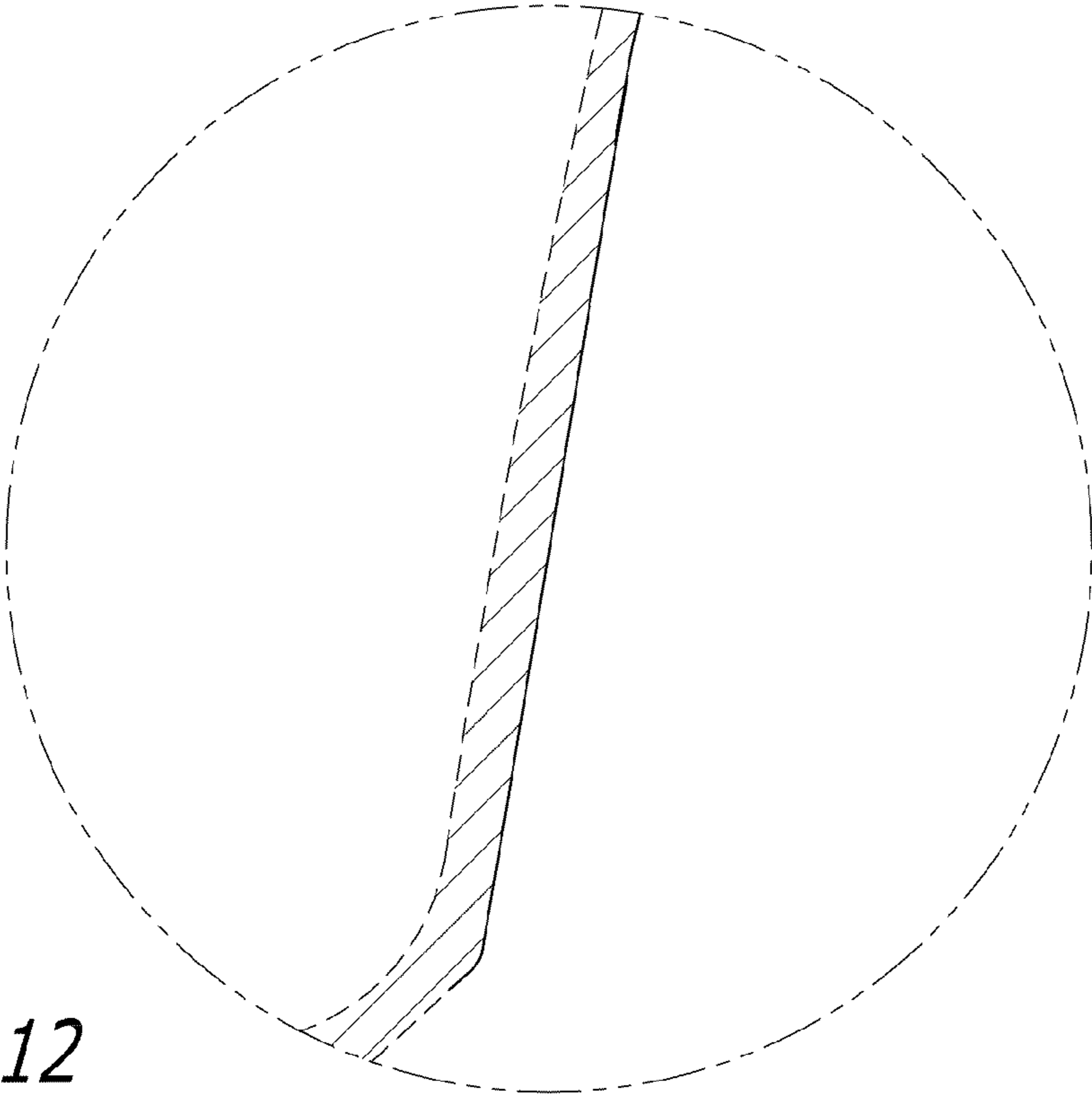


FIG. 12

FIG. 13

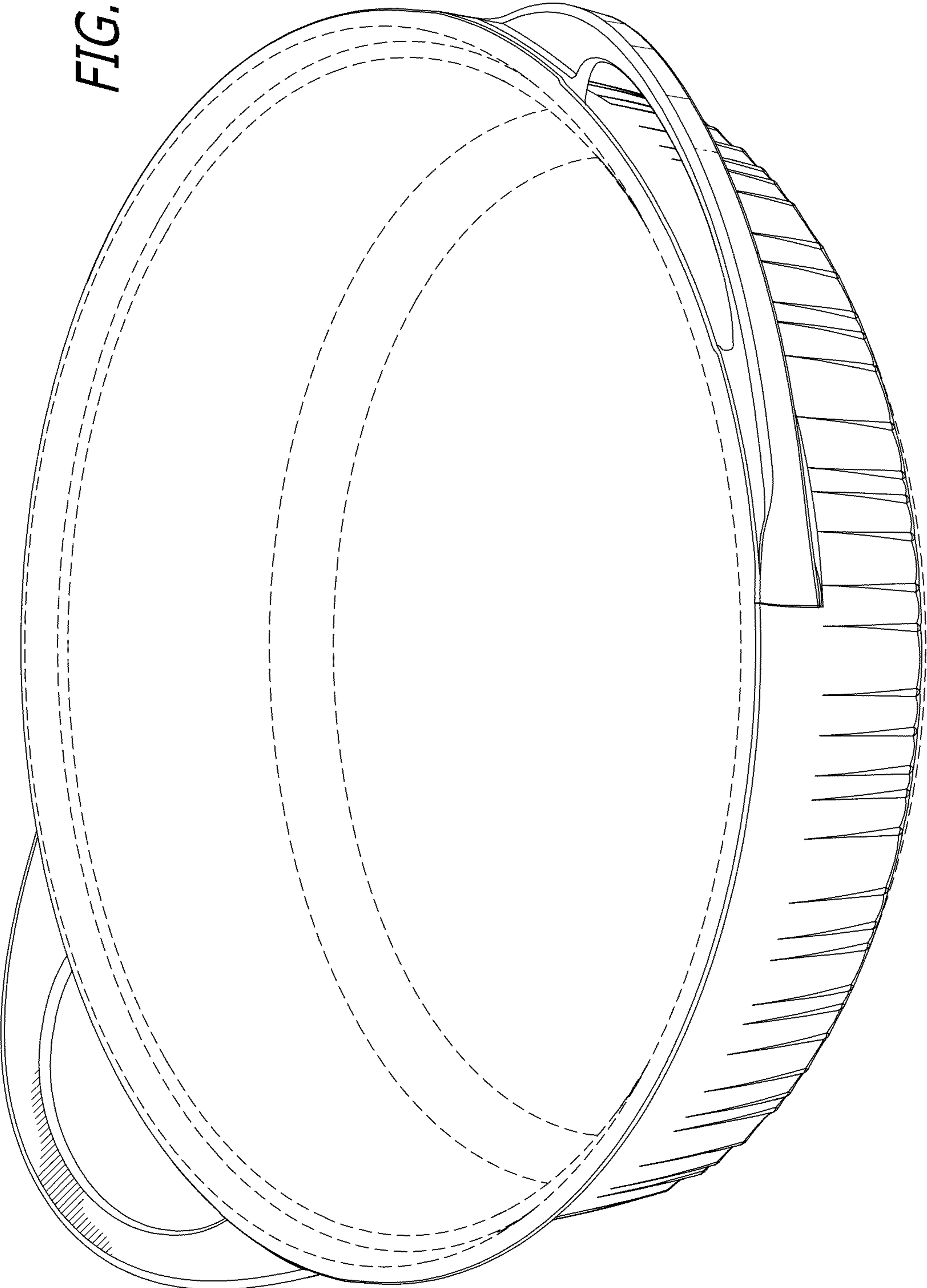
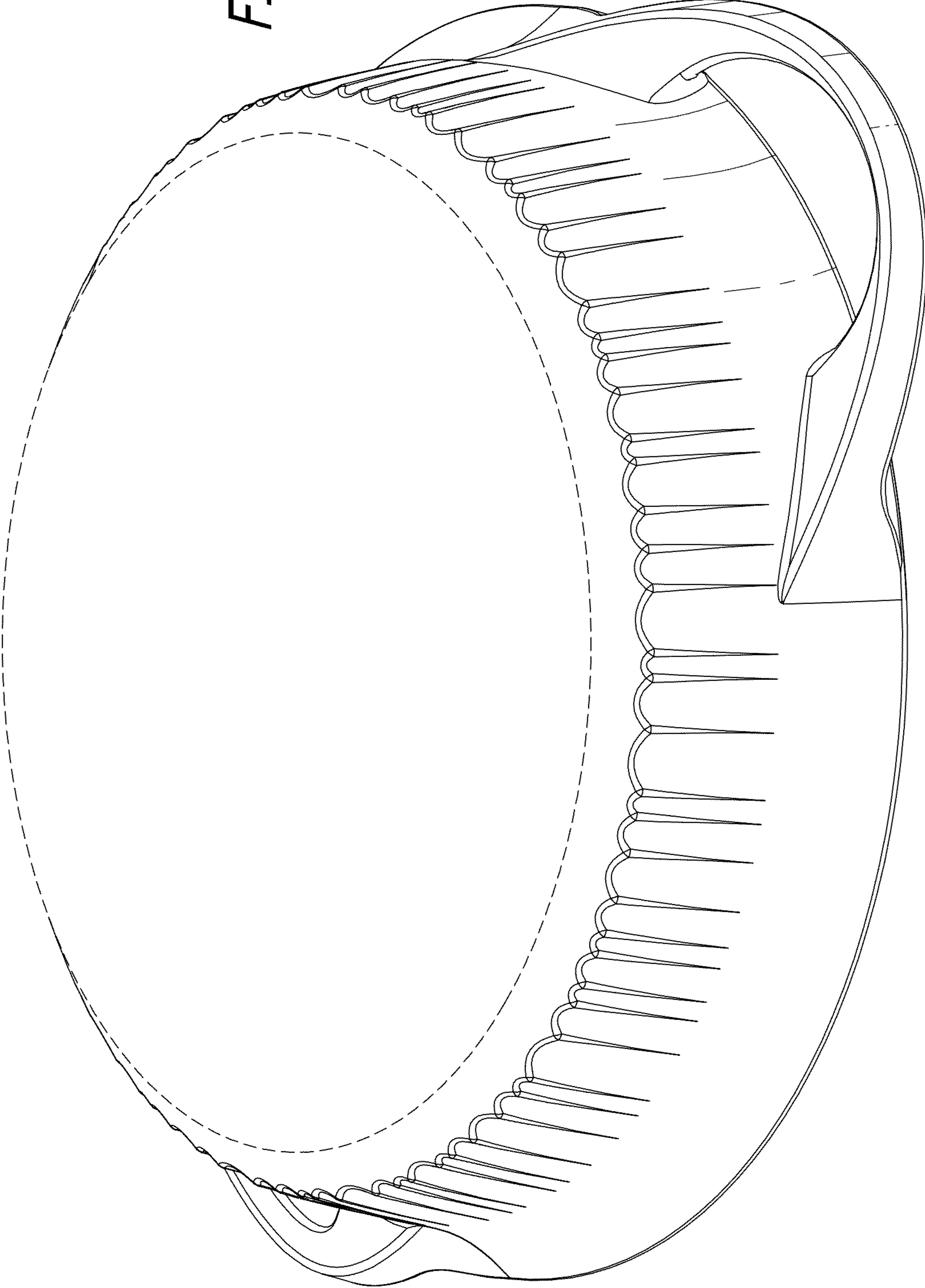


FIG. 14



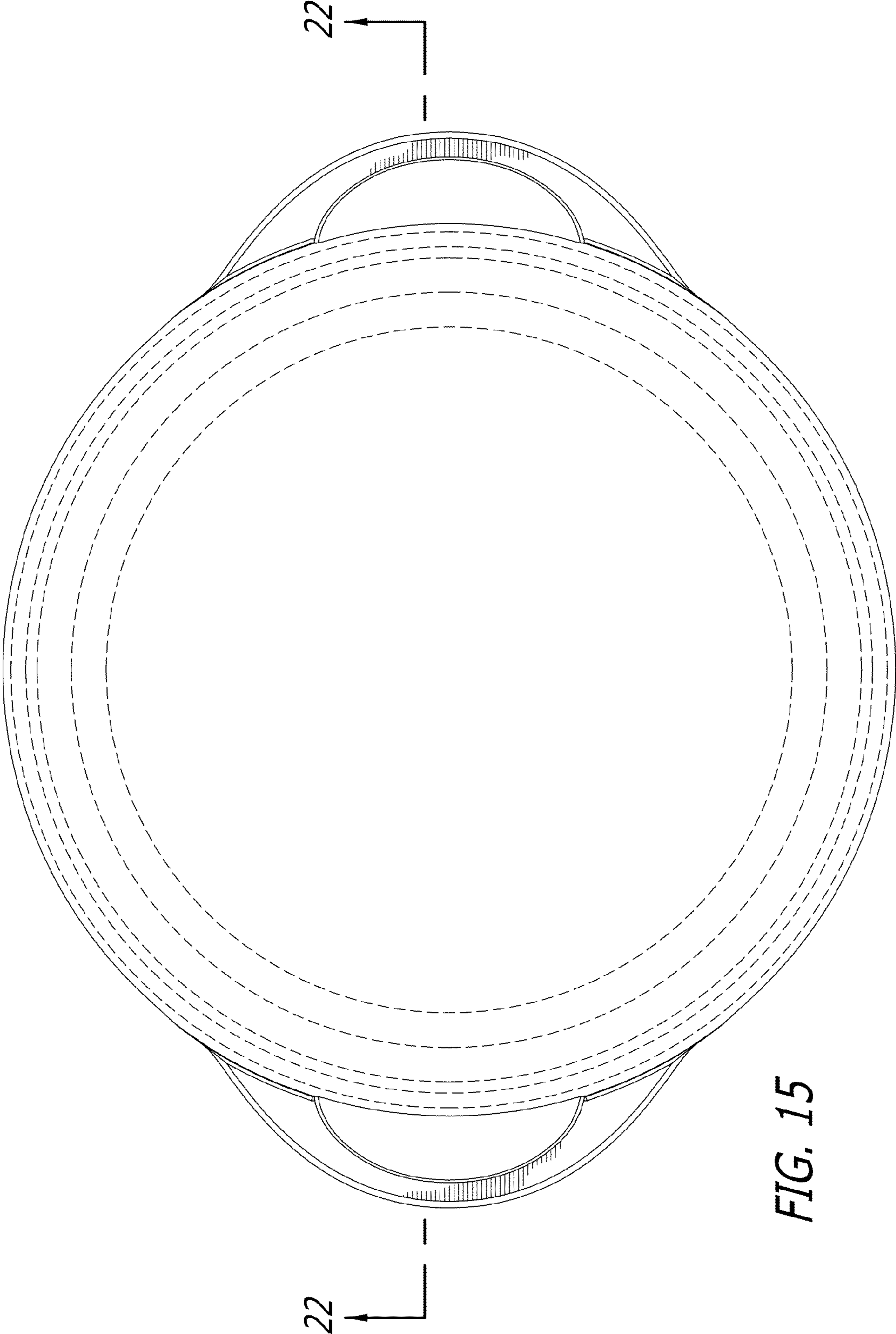


FIG. 15

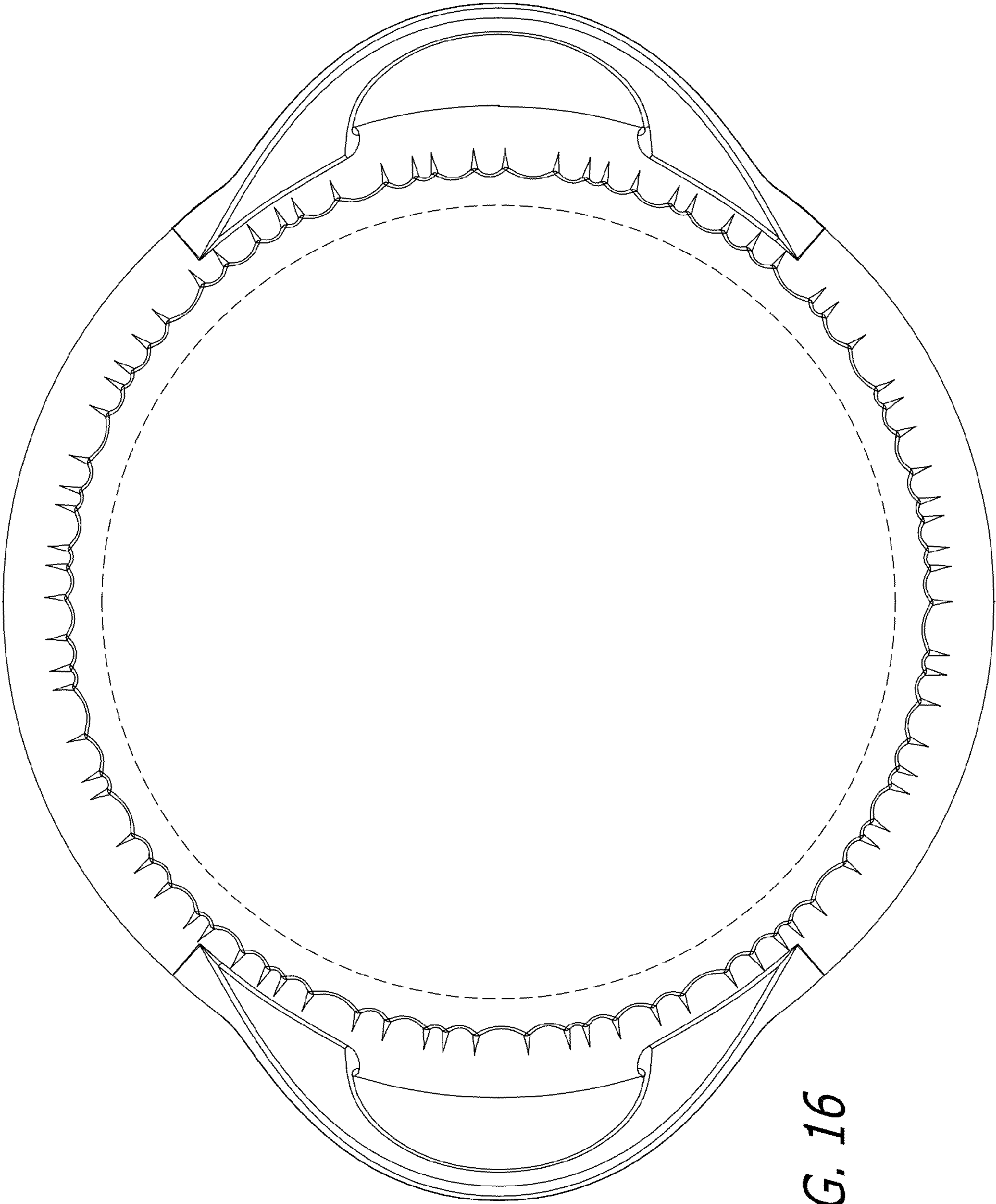


FIG. 16

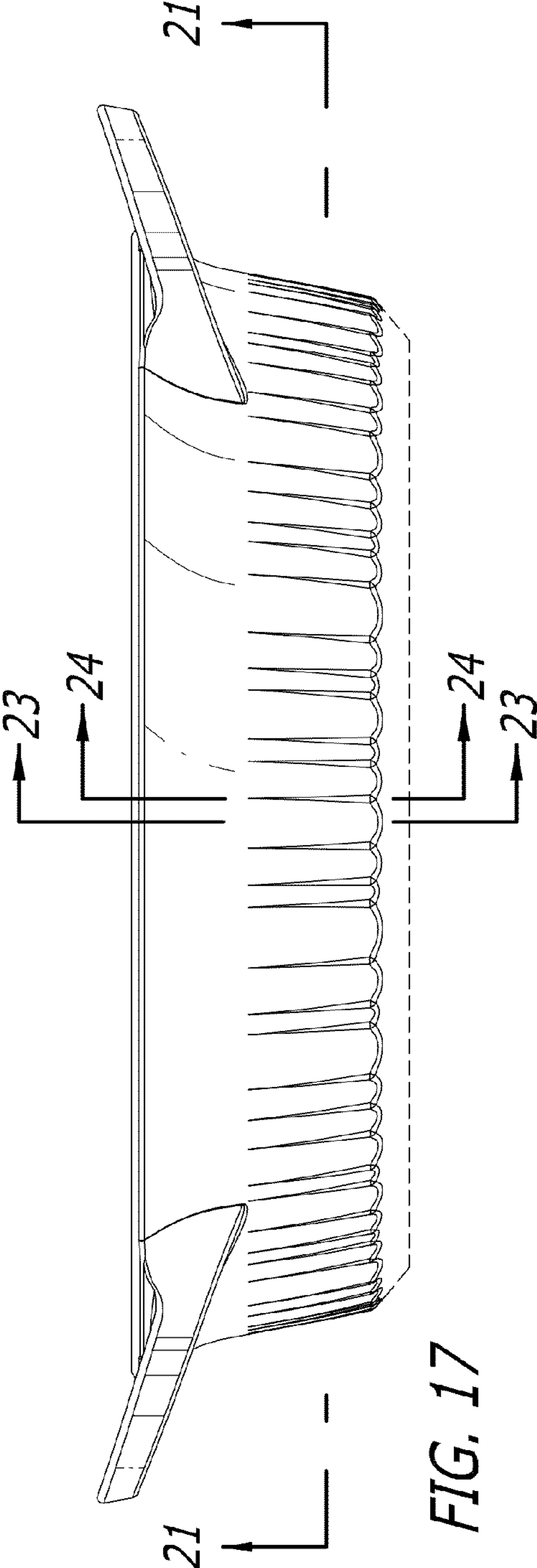


FIG. 17

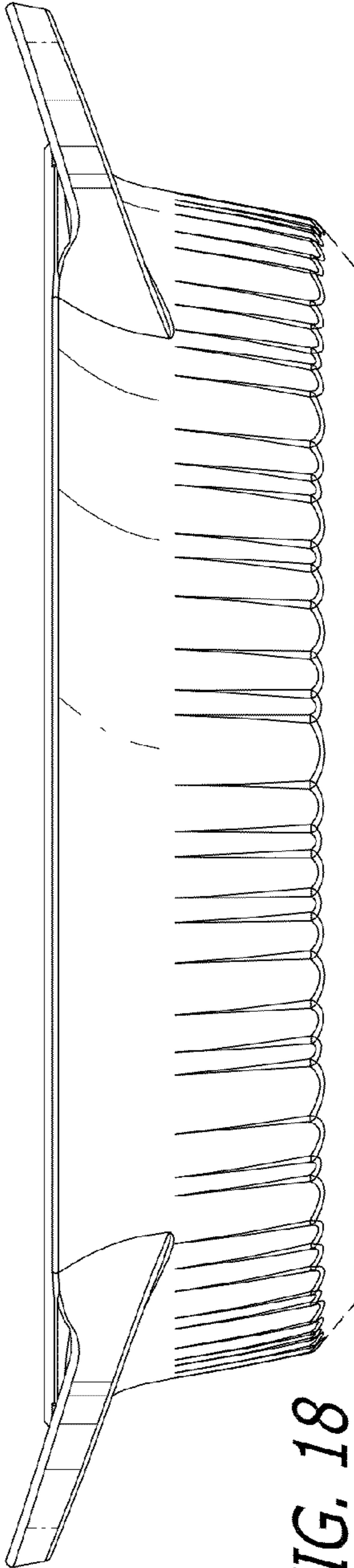


FIG. 18

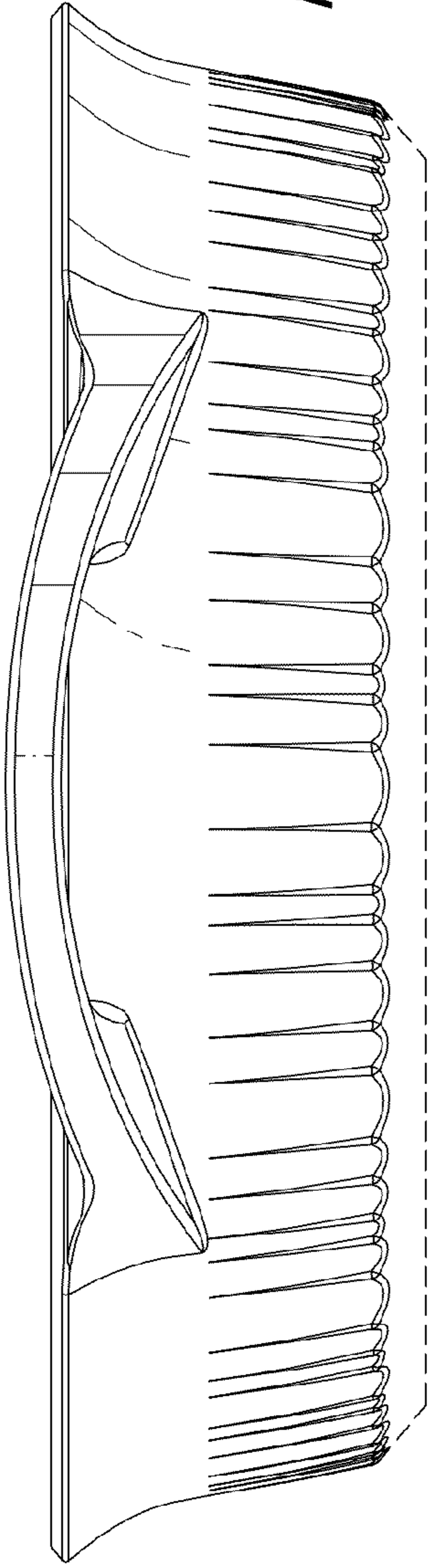


FIG. 19

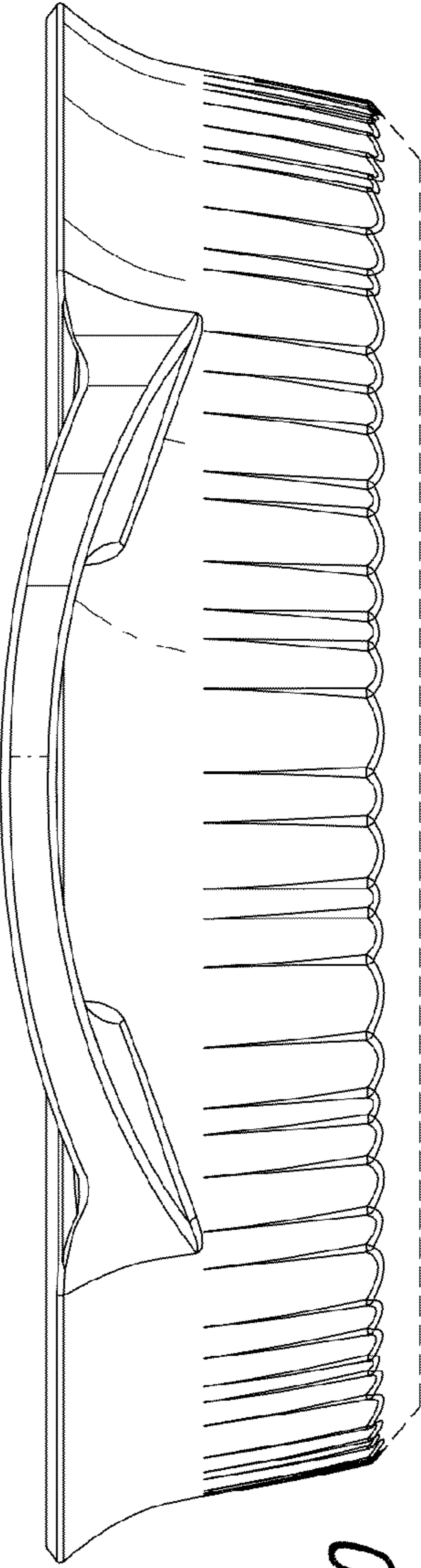


FIG. 20

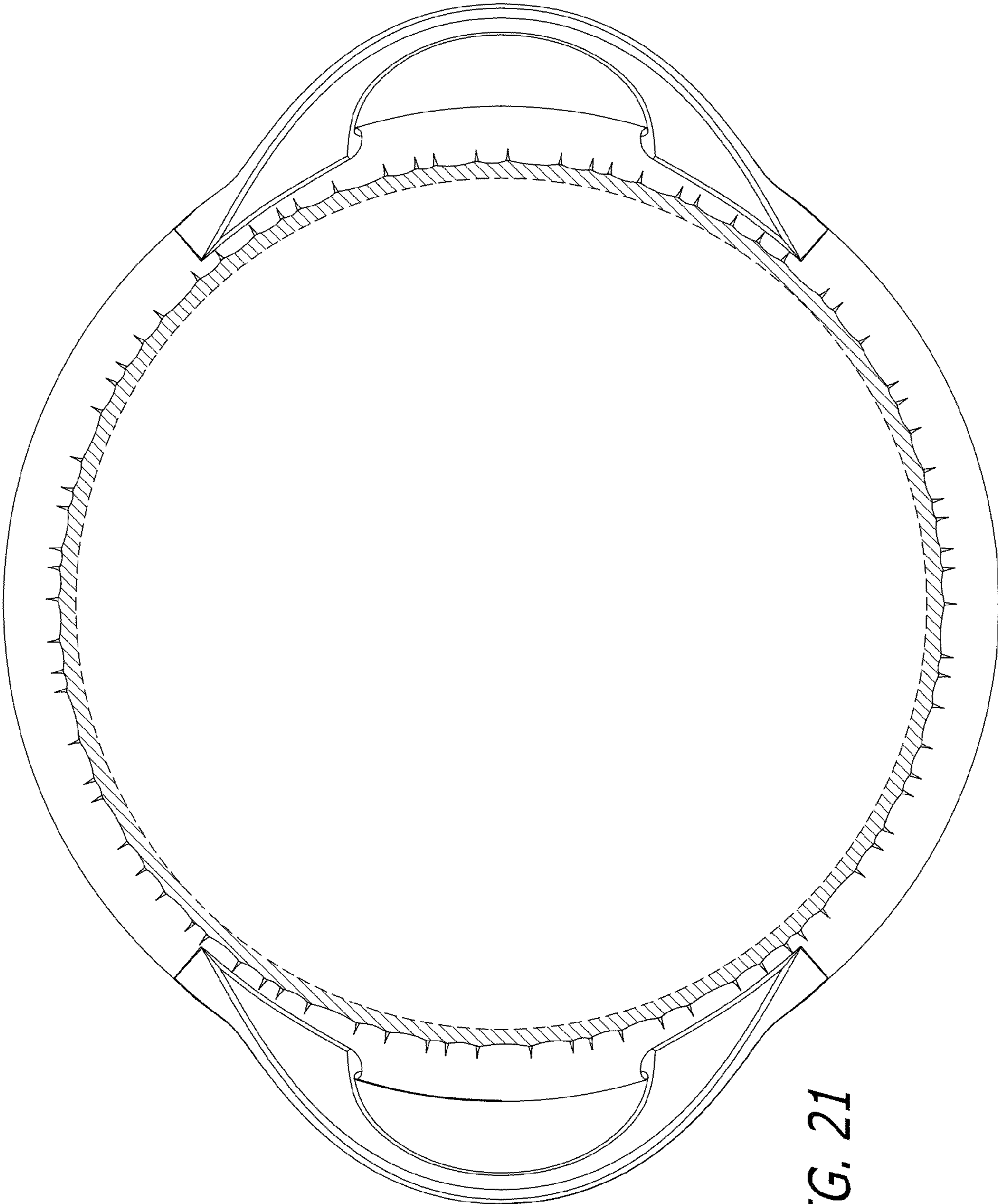


FIG. 21

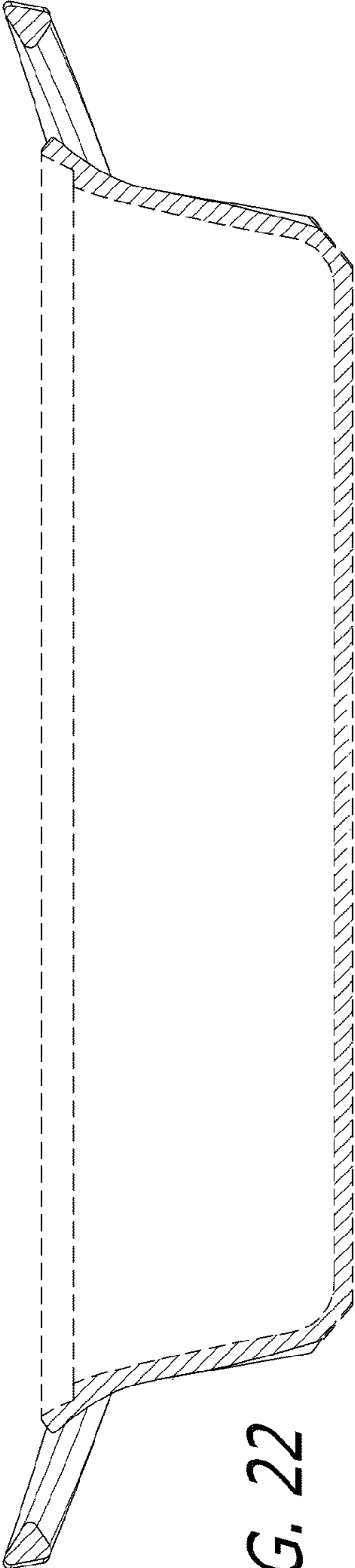


FIG. 22

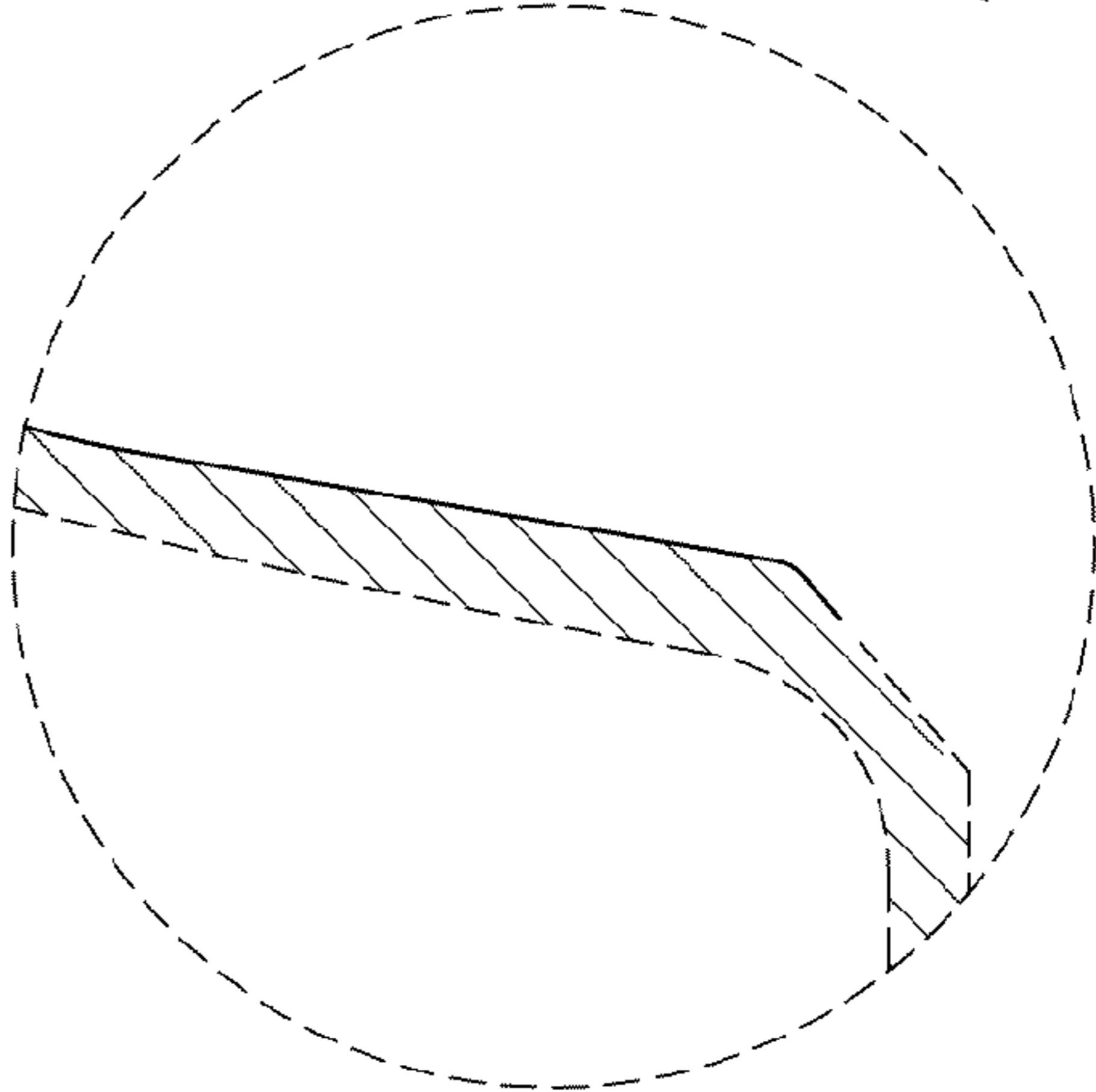


FIG. 24

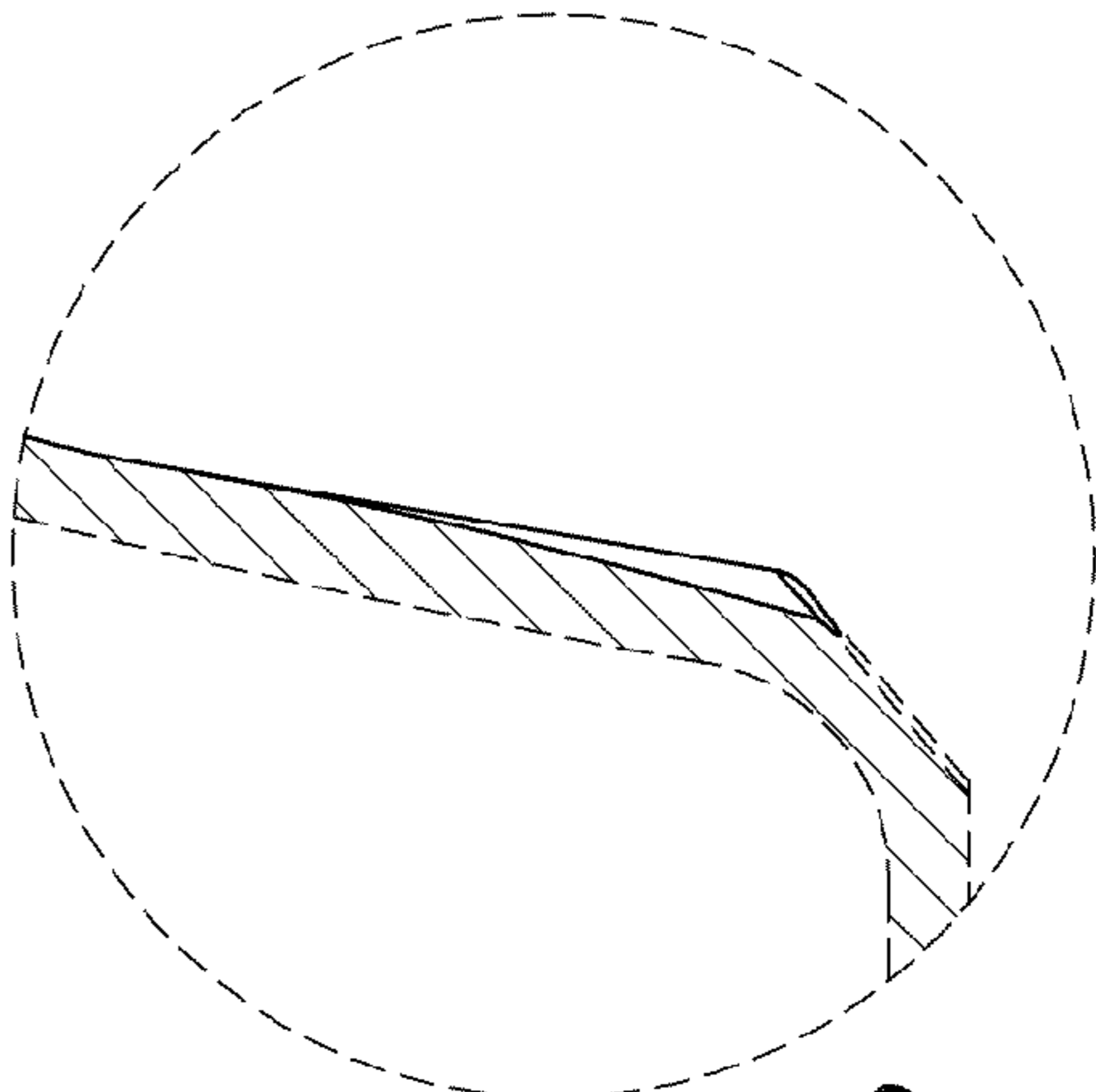


FIG. 23