



US00D717099S

(12) **United States Design Patent**  
**Lavy**

(10) **Patent No.:** **US D717,099 S**

(45) **Date of Patent:** **\*\* \*Nov. 11, 2014**

(54) **SLOW COOKER**

(76) Inventor: **Danny Lavy**, Montreal (CA)

(\*) Notice: This patent is subject to a terminal disclaimer.

(\*\*) Term: **14 Years**

(21) Appl. No.: **29/354,221**

(22) Filed: **Jan. 21, 2010**

D513,151 S \* 12/2005 Currie ..... D7/364  
D566,459 S \* 4/2008 Doo ..... D7/364  
D567,016 S \* 4/2008 Chan ..... D7/364

\* cited by examiner

*Primary Examiner* — Caron Veynar

*Assistant Examiner* — Ricky Pham

(74) *Attorney, Agent, or Firm* — James B. Conte; HBWK

(57) **CLAIM**

The ornamental design for a slow cooker, as shown and described.

**Related U.S. Application Data**

(63) Continuation-in-part of application No. 29/351,404, filed on Dec. 4, 2009, now Pat. No. Des. 614,909.

(51) **LOC (10) Cl.** ..... **07-02**

(52) **U.S. Cl.**  
USPC ..... **D7/357; D7/354**

(58) **Field of Classification Search**  
USPC ..... D7/323, 330–331, 339, 347, 350–367,  
D7/378–379, 383–384, 391–395,  
D7/542–545; 99/324–325, 329 R, 330–339,  
99/400, 412–413, 425; 219/417, 432–433,  
219/452.11, 438–441, 620–622, 725–730;  
220/203.1, 203.07, 203.09, 298, 303,  
220/316, 356.1, 573.1–574, 769, 912;  
426/438, 441

See application file for complete search history.

(56) **References Cited**

**U.S. PATENT DOCUMENTS**

381,784 A \* 4/1888 Hornish ..... 99/339  
D97,530 S \* 11/1935 Knapp ..... D7/364  
D101,329 S \* 9/1936 Cory ..... D7/364  
D107,453 S \* 12/1937 Preston ..... D7/364  
D132,252 S \* 5/1942 Faunce ..... D7/353  
D167,077 S \* 6/1952 Gunther ..... D7/357  
D171,000 S \* 12/1953 Levine ..... D7/357  
D260,958 S \* 9/1981 Nishikawa ..... D7/357  
D488,670 S \* 4/2004 Chan ..... D7/357  
D507,452 S \* 7/2005 Chan ..... D7/357

**DESCRIPTION**

FIG. 1 is a front perspective view of a slow cooker showing my new design;

FIG. 2 is a front elevational view of the slow cooker shown in FIG. 1;

FIG. 3 is a rear elevational view of the slow cooker shown in FIG. 1;

FIG. 4 is a top plan view of the slow cooker shown in FIG. 1, a bottom plan view not being shown as it is devoid of ornamentation;

FIG. 5 is a right side elevational view of the slow cooker shown in FIG. 1, the left side being a mirror image of the right side;

FIG. 6 is a front perspective view of the slow cooker shown in FIG. 1, with the lids removed;

FIG. 7 is a front elevational view of the slow cooker shown in FIG. 6;

FIG. 8 is a rear elevational view of the slow cooker shown in FIG. 6;

FIG. 9 is a right side elevational view of the slow cooker shown in FIG. 6, the left side being a mirror image of the right side; and,

FIG. 10 is a top plan view of the slow cooker shown in FIG. 6, a bottom plan view not being shown as it is devoid of ornamentation.

The broken lines shown in the Figures are used for illustrative purposes only and form no part of the claimed design.

**1 Claim, 8 Drawing Sheets**

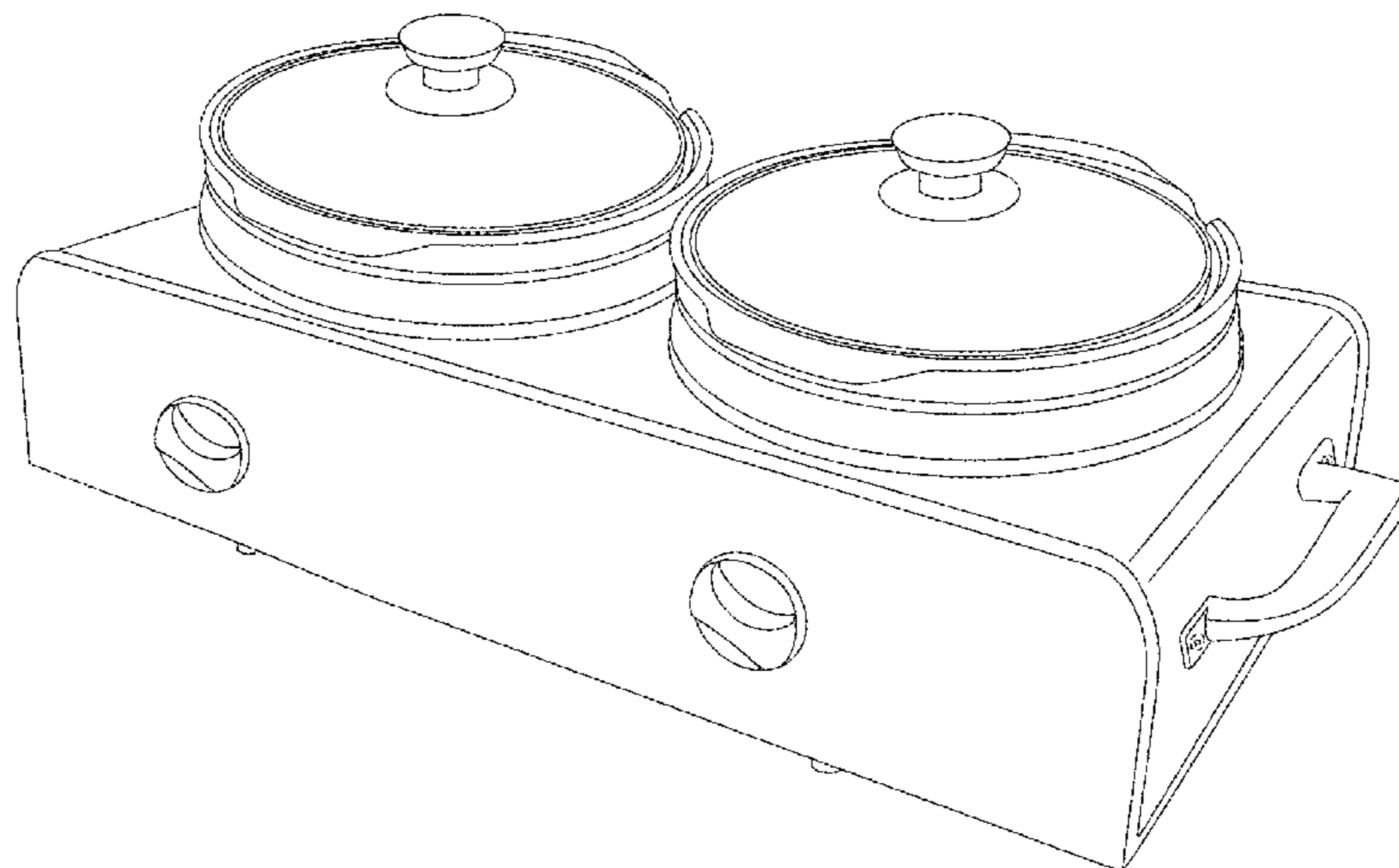


Fig. 1

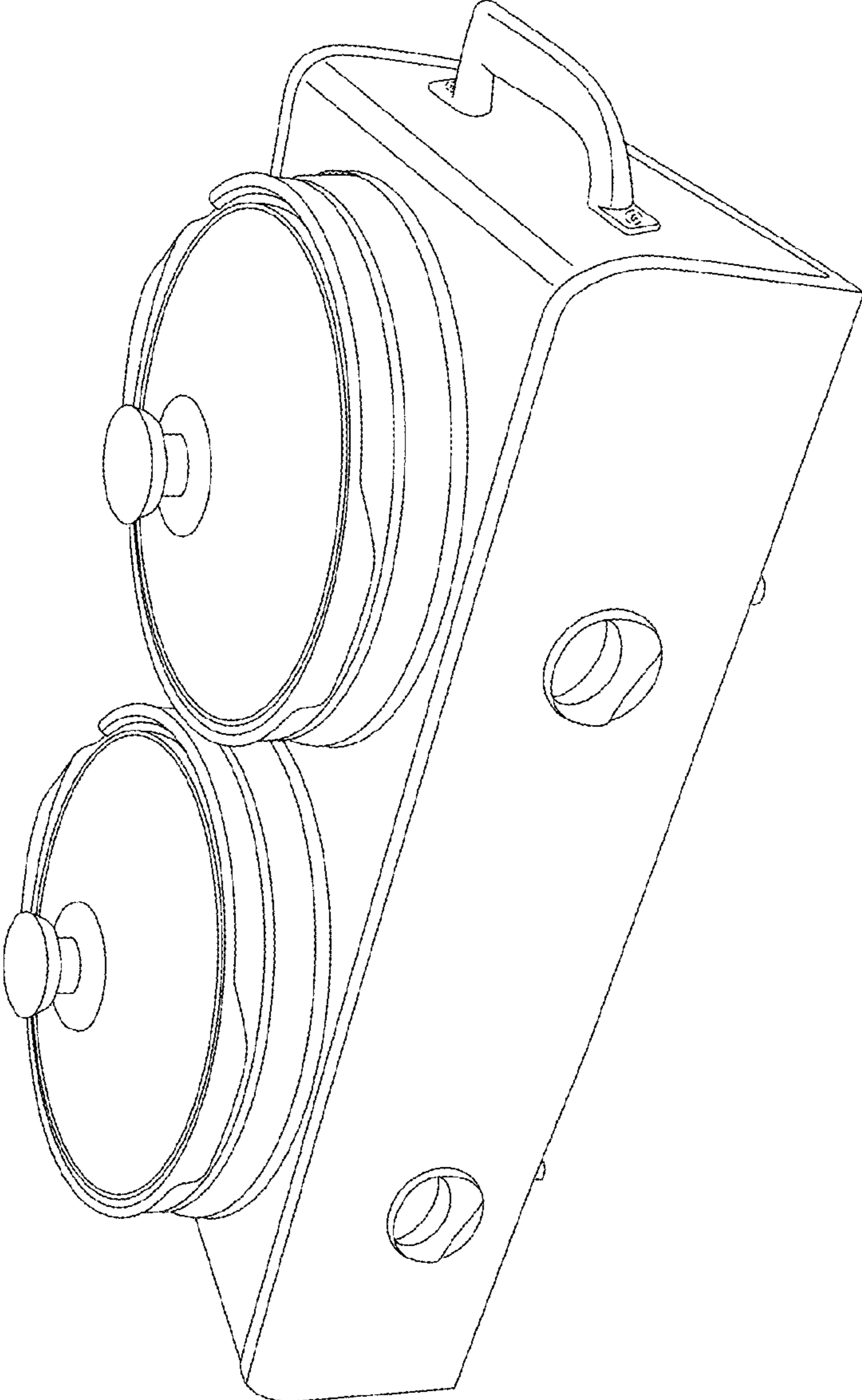


Fig. 2

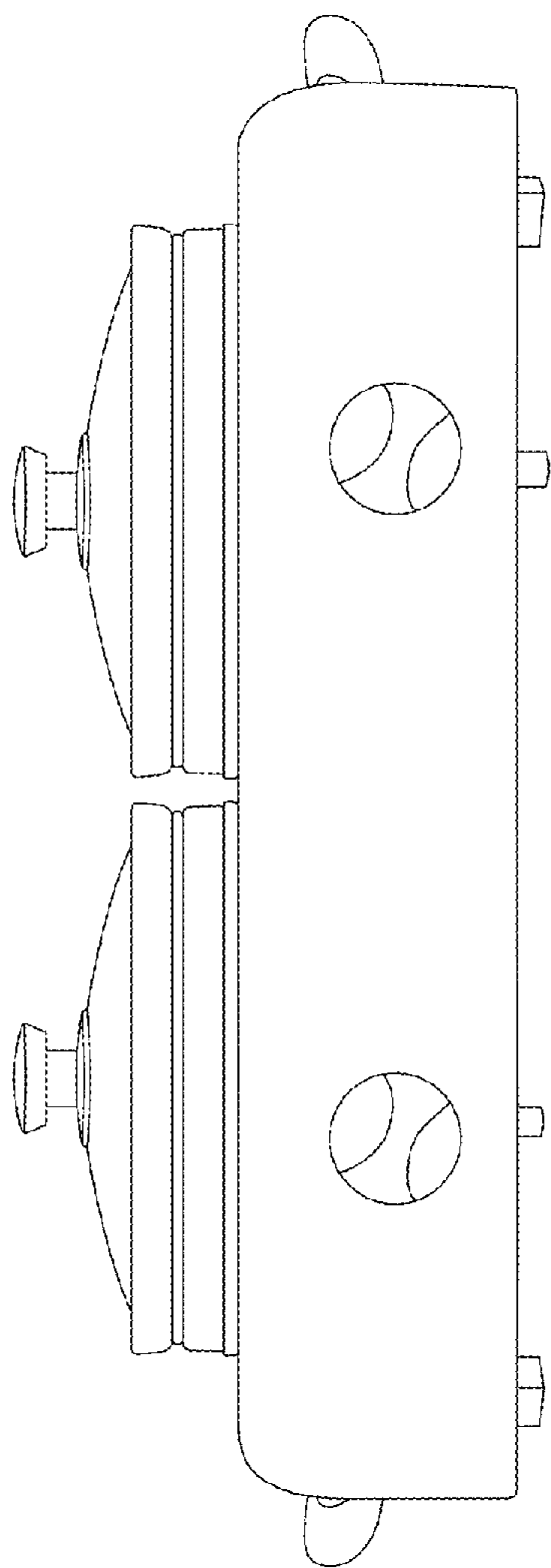


Fig. 3

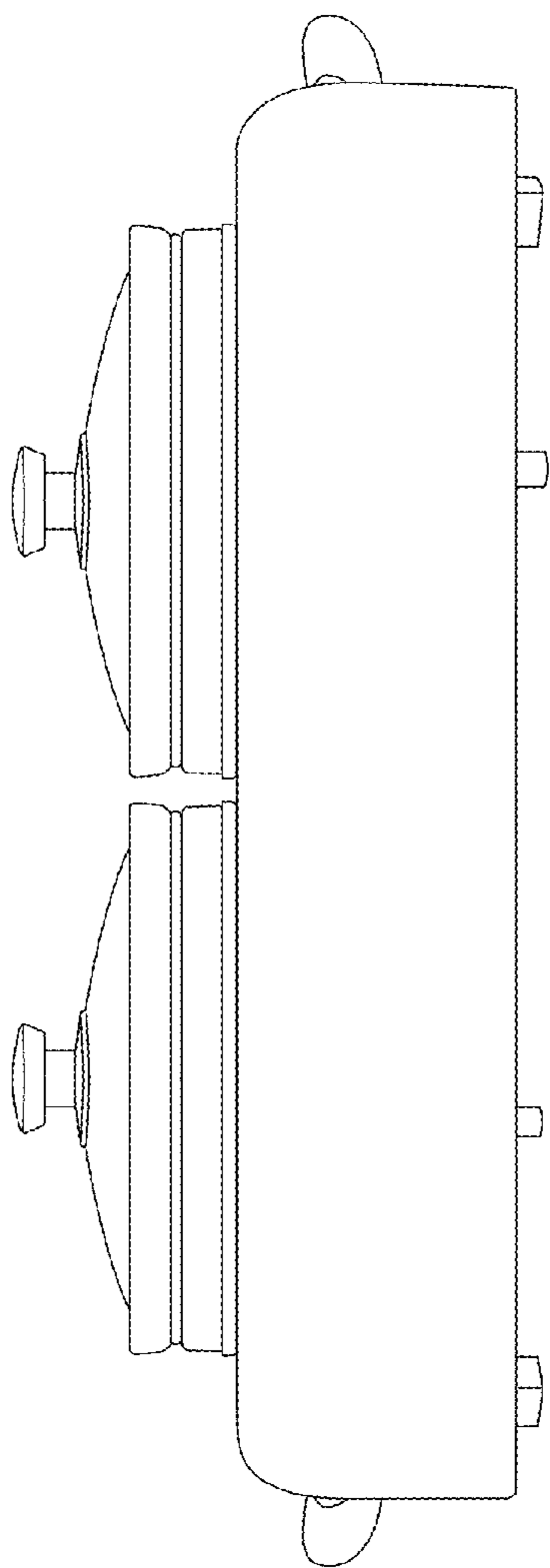


Fig. 4

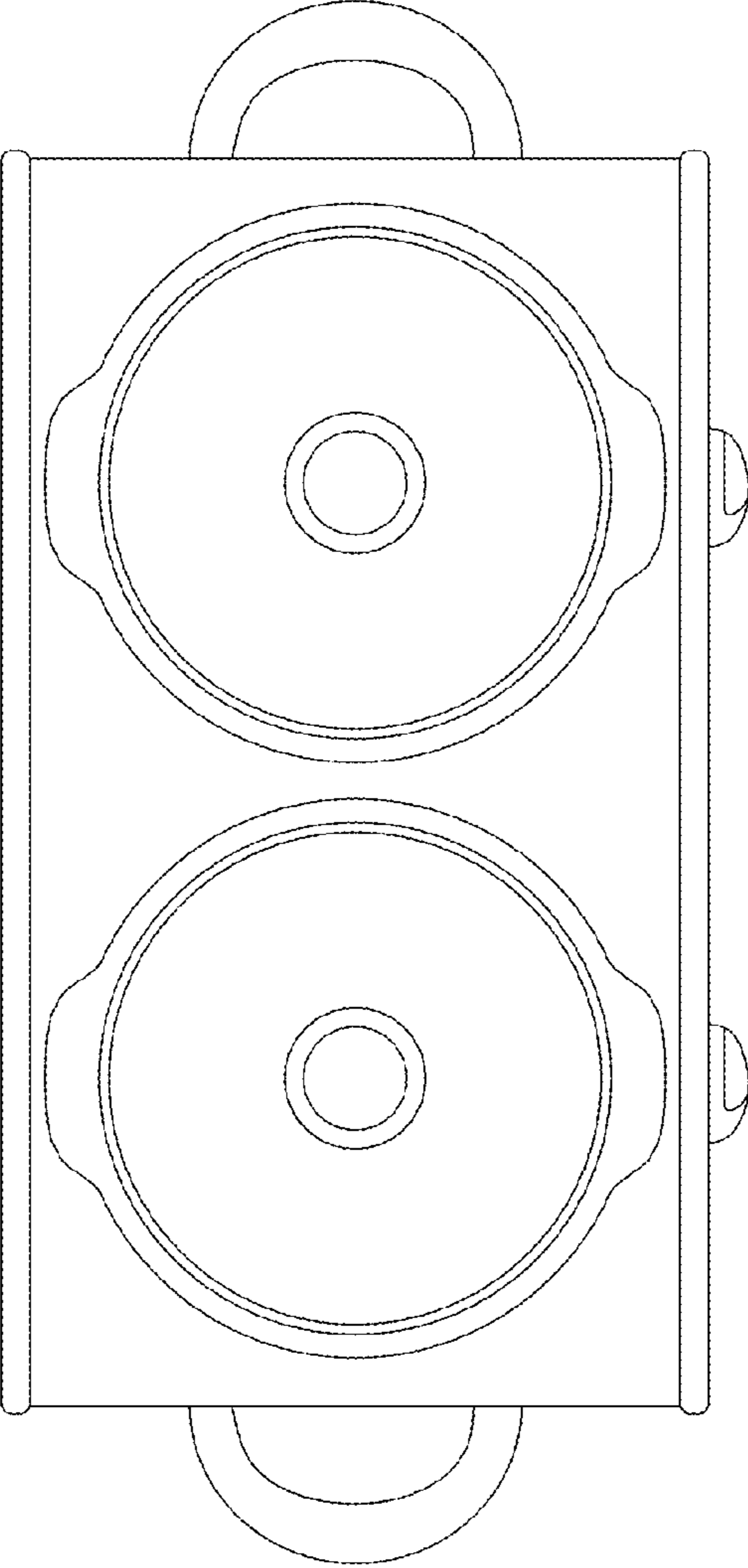


Fig. 5

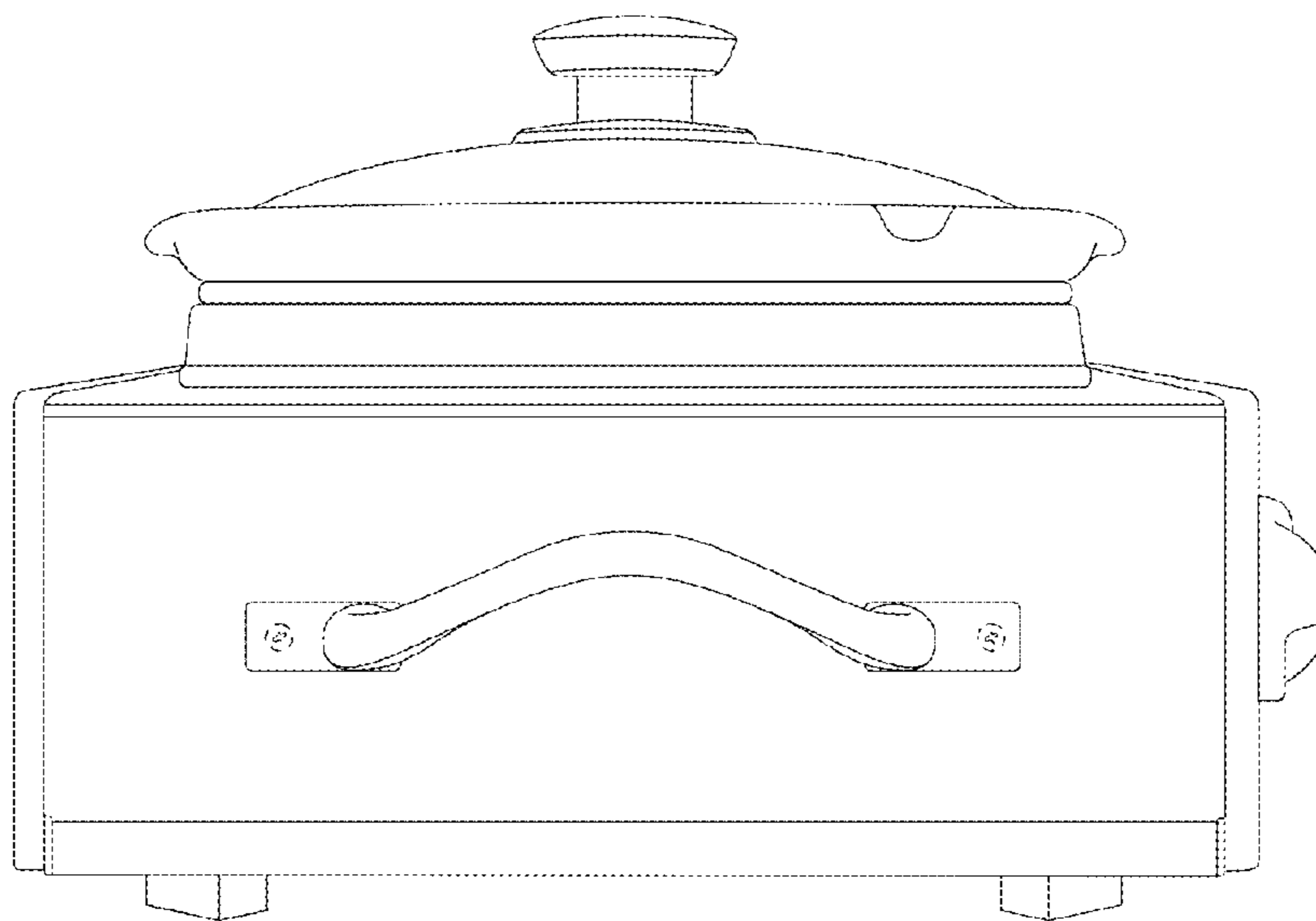


Fig. 6

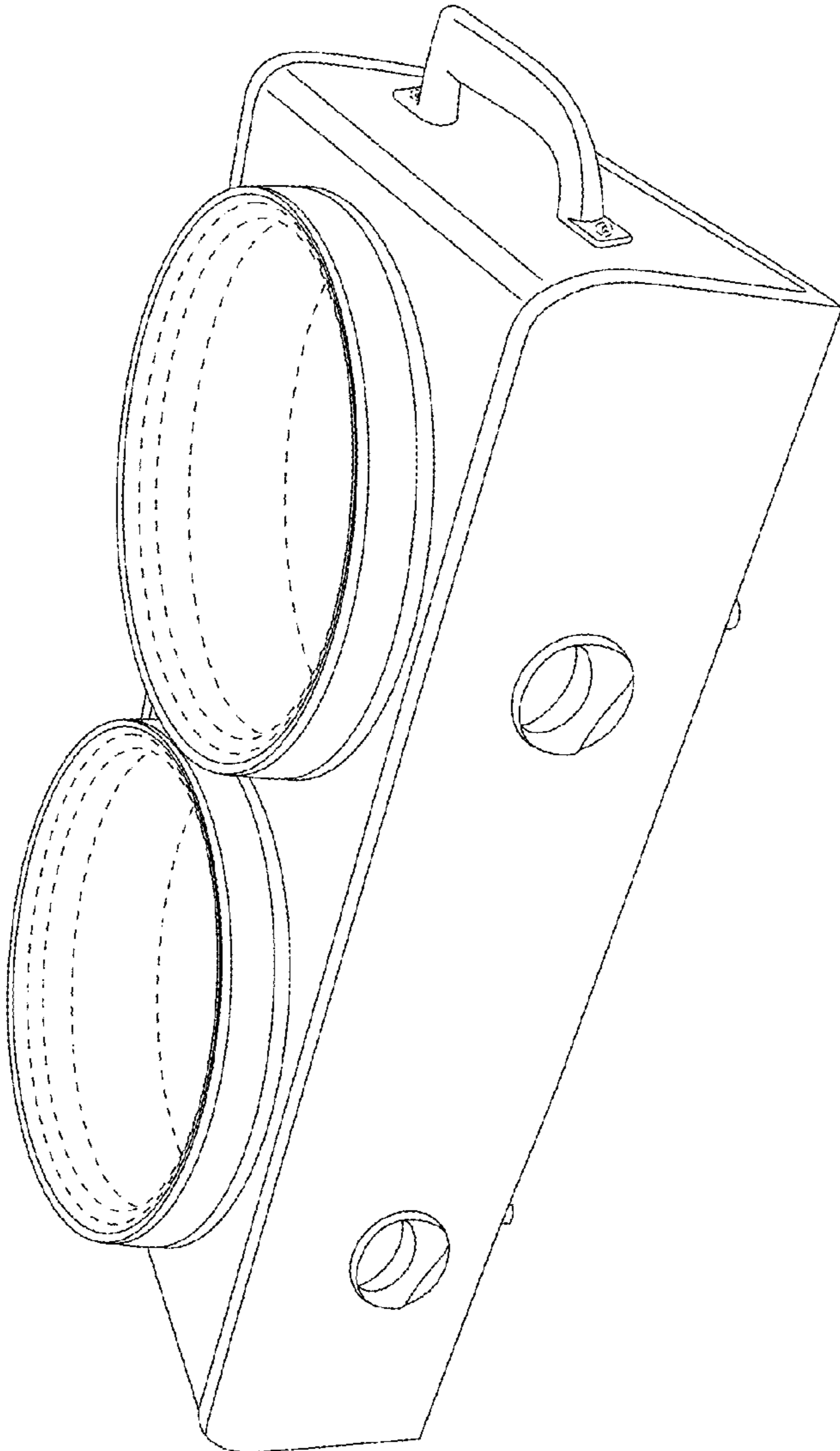


Fig. 7

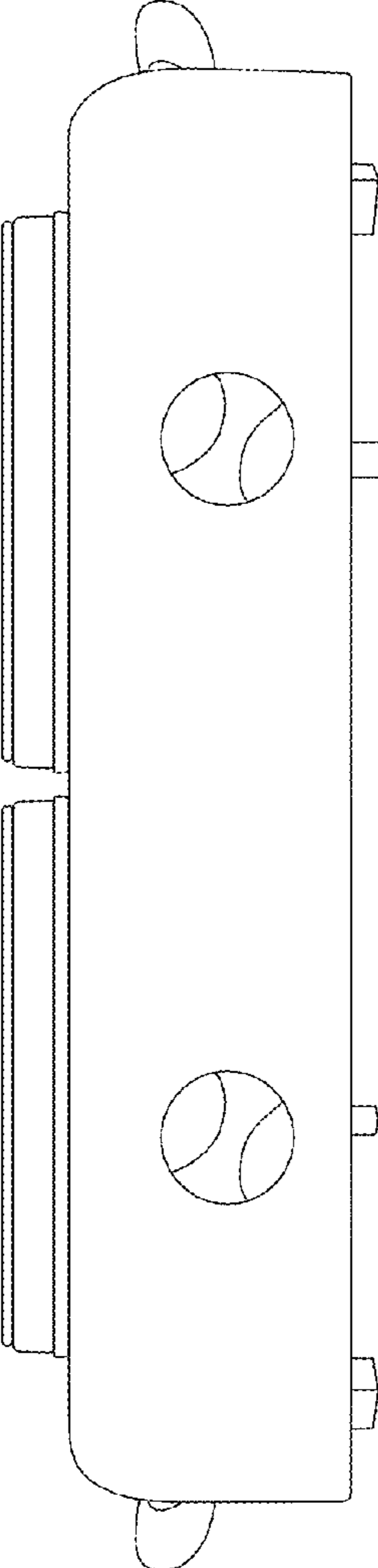


Fig. 8

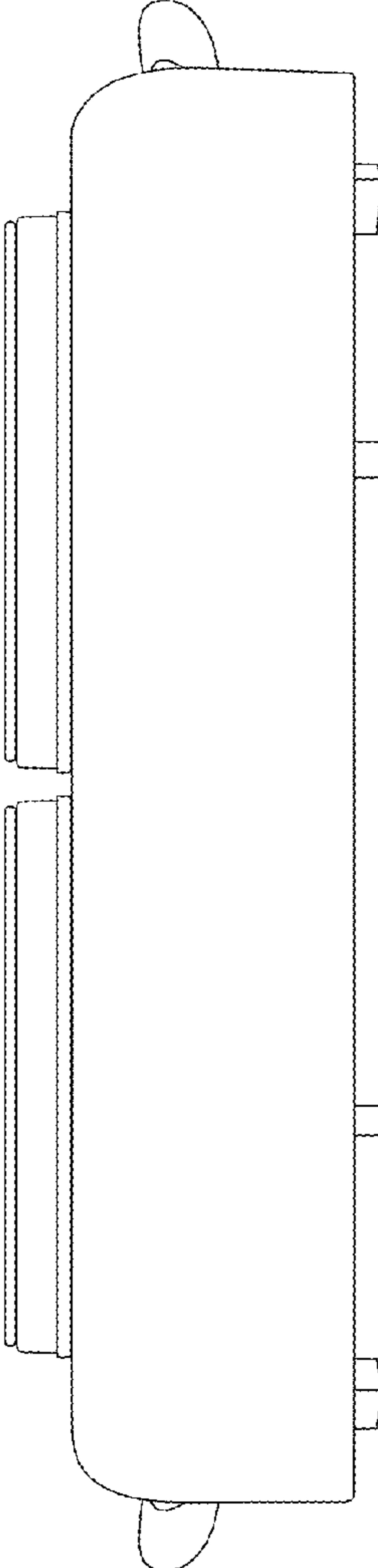


Fig. 9

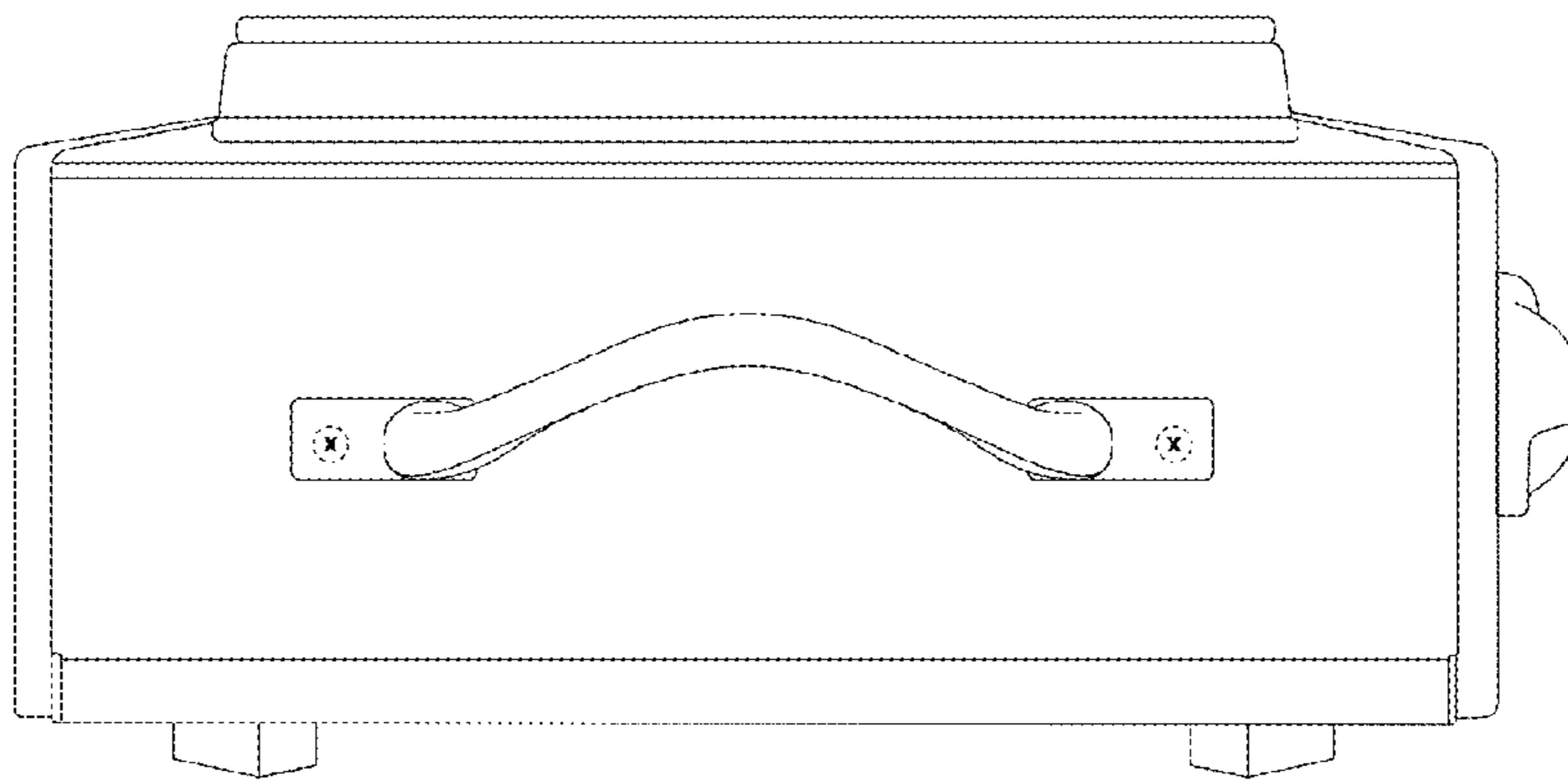




Fig. 10

