



US00D717098S

(12) **United States Design Patent**
Chung

(10) **Patent No.:** **US D717,098 S**

(45) **Date of Patent:** **** Nov. 11, 2014**

(54) **BARBECUE GRILL**

(71) Applicant: **Kiosky Chung**, Taichung (TW)

(72) Inventor: **Kiosky Chung**, Taichung (TW)

(**) Term: **14 Years**

(21) Appl. No.: **29/475,876**

(22) Filed: **Dec. 8, 2013**

(51) **LOC (10) Cl.** **07-02**

(52) **U.S. Cl.**
USPC **D7/334**

(58) **Field of Classification Search**
CPC ... A47J 37/07; A47J 37/0704; A47J 37/0709;
A47J 37/0713; A47J 37/0718; A47J 37/0727;
A47J 37/0731; A47J 37/0763; A47J 37/0772;
A47J 36/26; F24B 1/182; F24B 1/202; F24B
3/00; F24B 13/00; F24C 3/085; F24C 3/14;
F24C 5/00; F24C 5/20; F24C 15/08; F24C
15/10; F24C 15/18
USPC D7/332, 334-337, 402-405
See application file for complete search history.

(56) **References Cited**

U.S. PATENT DOCUMENTS

| | | | | |
|--------------|---------|--------------|-------|--------|
| D459,142 S * | 6/2002 | Wu | | D7/334 |
| D482,561 S * | 11/2003 | Yeh | | D7/332 |
| D496,821 S * | 10/2004 | Pai | | D7/334 |
| D505,824 S * | 6/2005 | Nipke et al. | | D7/334 |
| D507,927 S * | 8/2005 | Nipke et al. | | D7/334 |
| D508,365 S * | 8/2005 | Nipke et al. | | D7/334 |
| D511,924 S * | 11/2005 | Chung | | D7/334 |

| | | | | |
|-------------------|--------|-----------------|-------|----------|
| D516,366 S * | 3/2006 | Nipke et al. | | D7/334 |
| D528,847 S * | 9/2006 | Chung | | D7/334 |
| D572,072 S * | 7/2008 | Chung | | D7/334 |
| D618,037 S * | 6/2010 | Chung | | D7/334 |
| D618,483 S * | 6/2010 | Chung | | D7/334 |
| D618,486 S * | 6/2010 | Bruno et al. | | D7/334 |
| D623,003 S * | 9/2010 | Chung | | D7/334 |
| D657,181 S * | 4/2012 | Chung | | D7/334 |
| D687,667 S * | 8/2013 | Chien et al. | | D7/334 |
| D688,082 S * | 8/2013 | Crick | | D7/334 |
| 2009/0064988 A1 * | 3/2009 | Chiang | | 126/25 R |
| 2011/0214662 A1 * | 9/2011 | Contarino, Jr. | | 126/25 R |
| 2012/0090593 A1 * | 4/2012 | Urquhart et al. | | 126/25 B |
| 2014/0026766 A1 * | 1/2014 | Goff, IV | | 99/445 |

* cited by examiner

Primary Examiner — Ruth McInroy

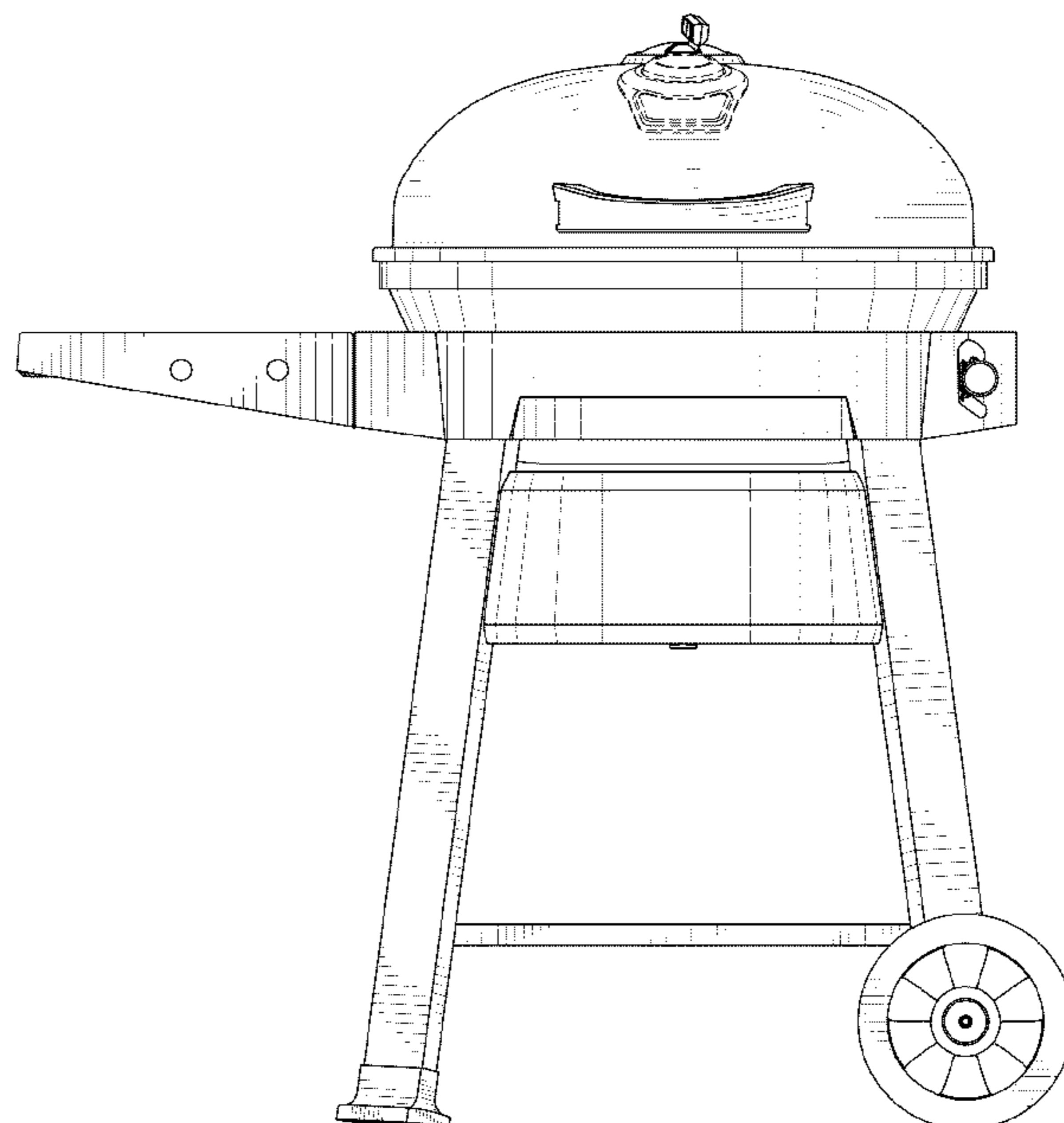
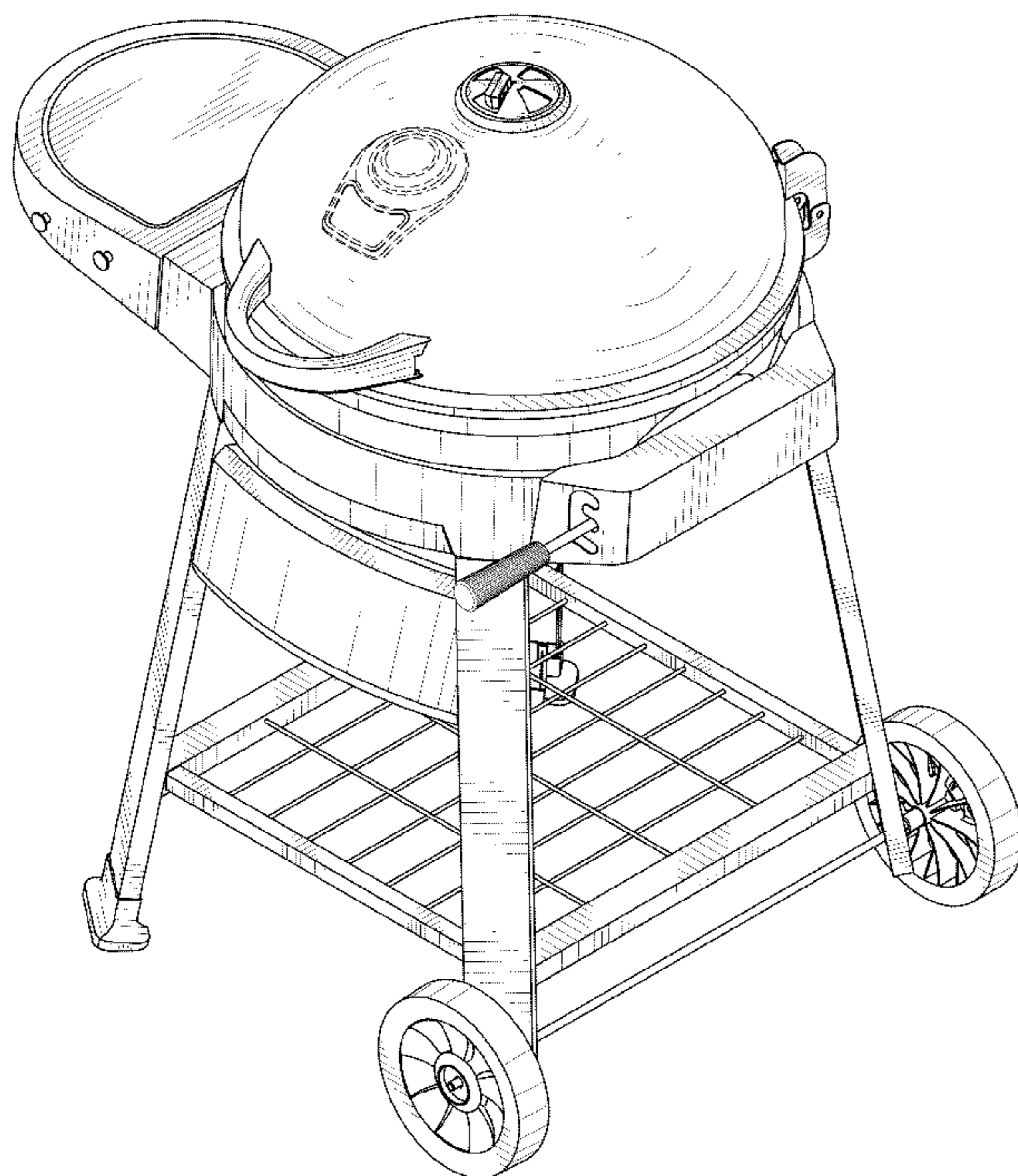
(57) **CLAIM**

I claim the ornamental design for a barbecue grill, as shown and described.

DESCRIPTION

FIG. 1 is a perspective view of a barbecue grill, showing my new design;
FIG. 2 is a front elevational view thereof;
FIG. 3 is a rear elevational view thereof;
FIG. 4 is a left side elevational view thereof;
FIG. 5 is a right side elevational view thereof;
FIG. 6 is a top plan view thereof; and,
FIG. 7 is a bottom plan view thereof.
The broken lines shown in the drawings are for the purpose of illustrating unclaimed portions of the barbecue grill and form no part of the claimed design.

1 Claim, 7 Drawing Sheets



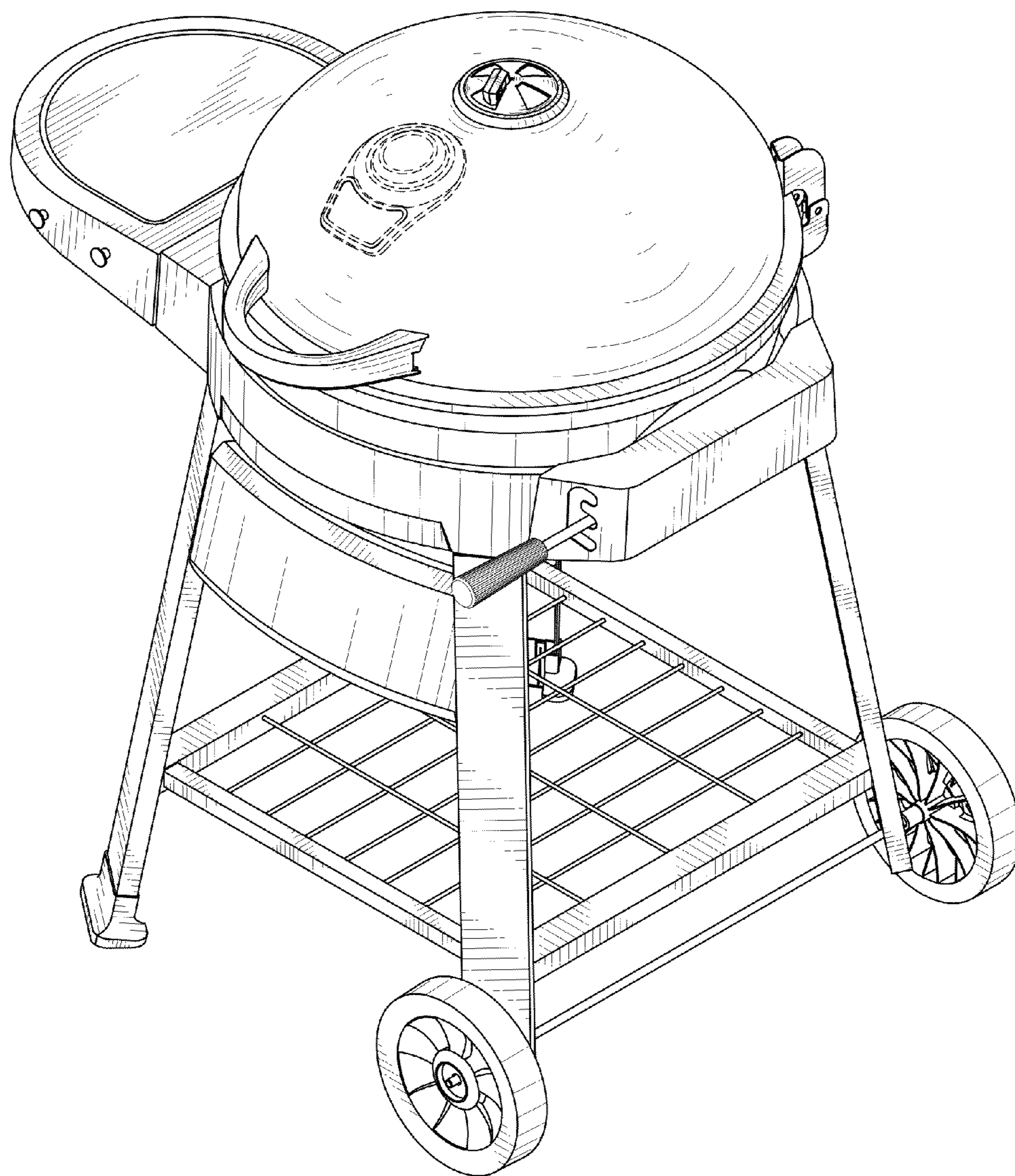


FIG.1

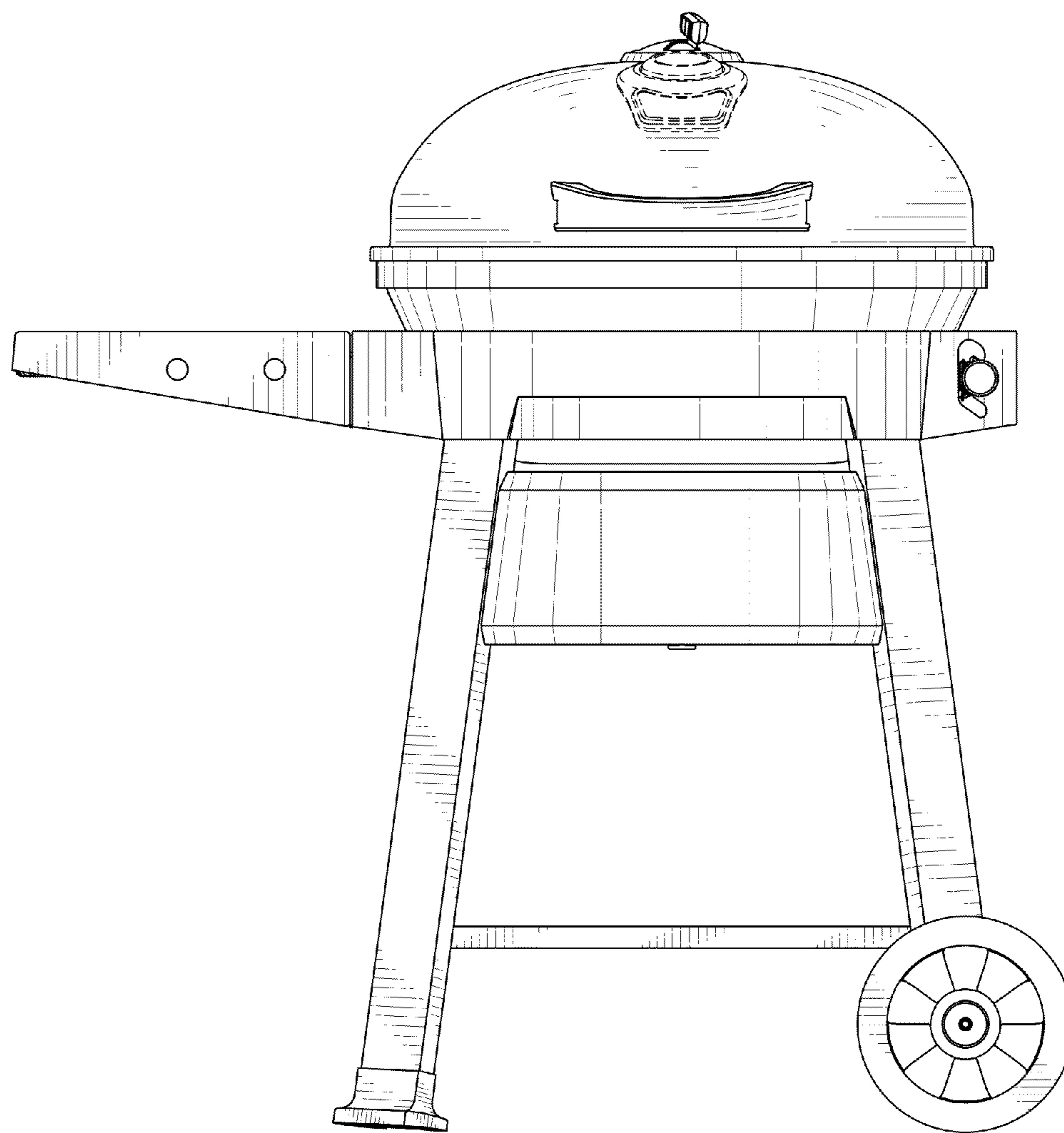


FIG.2

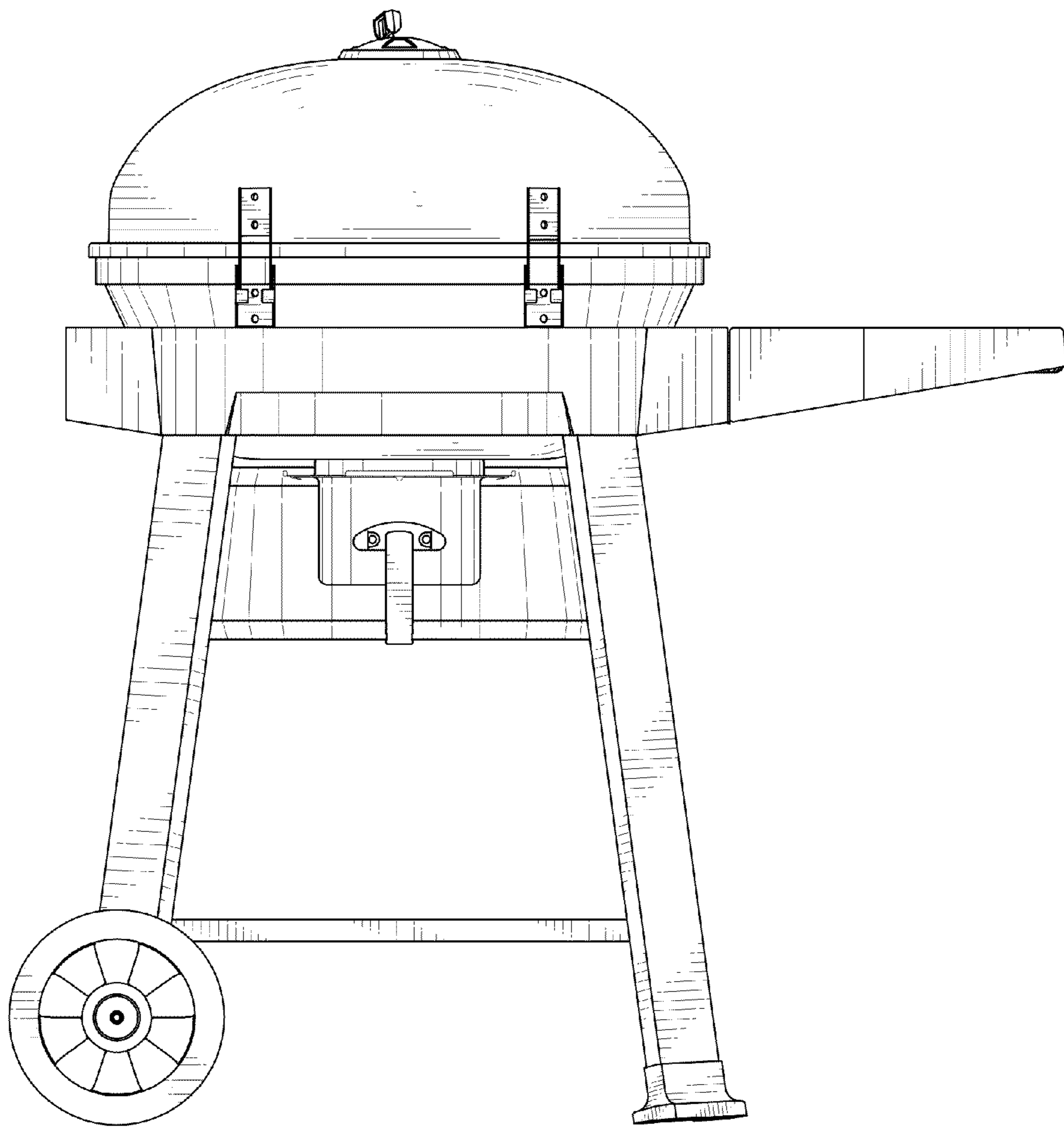


FIG.3

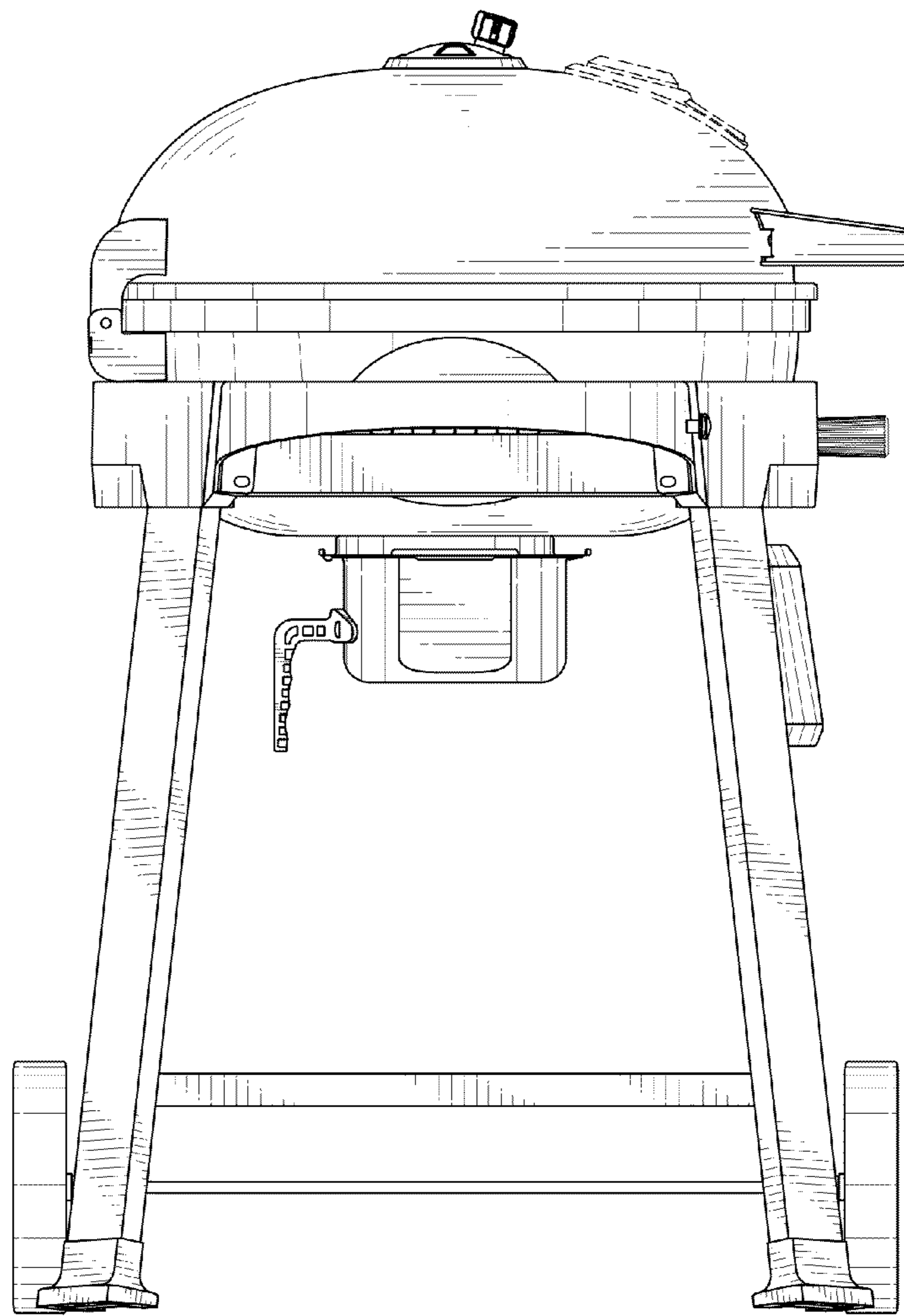


FIG.4

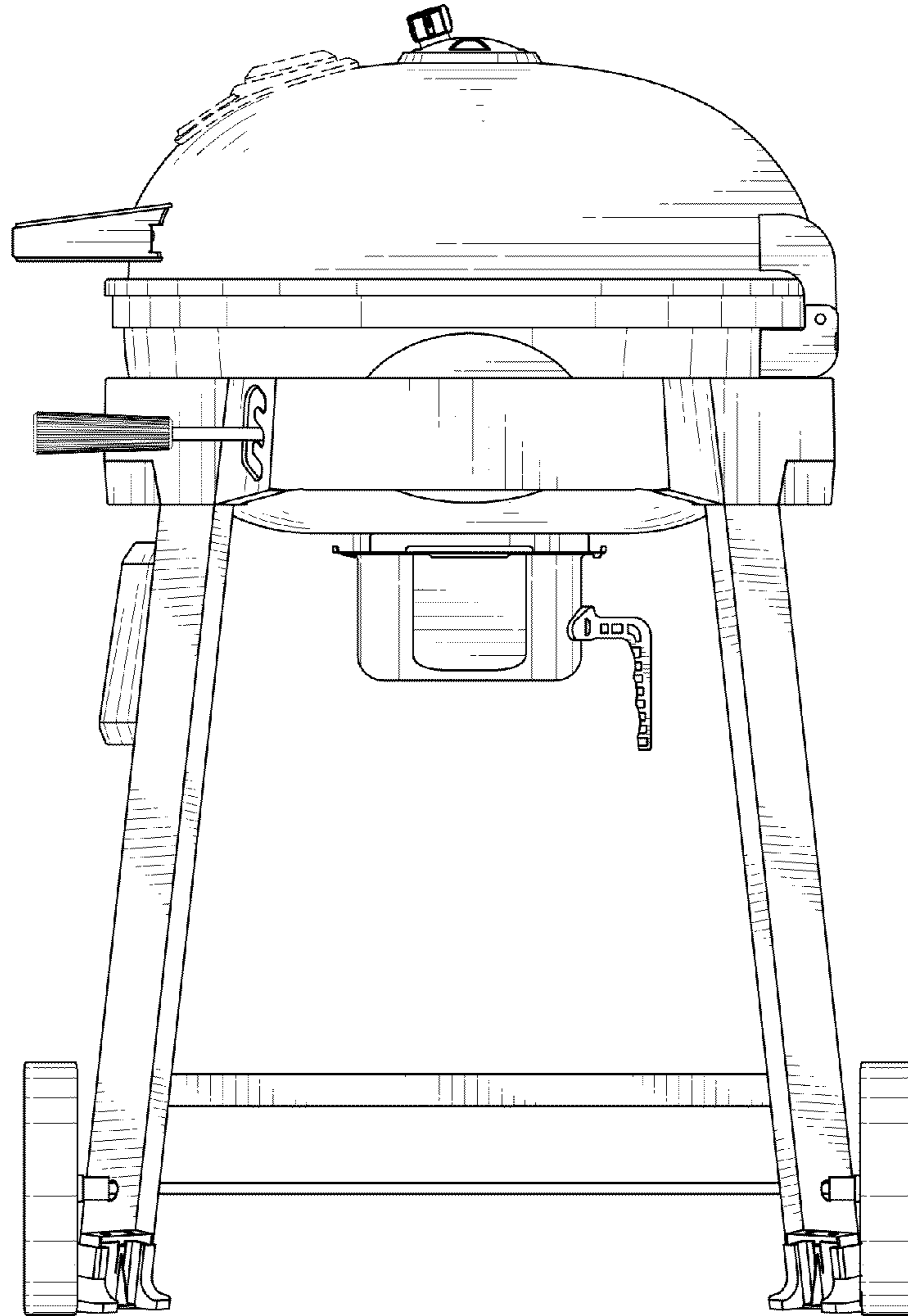


FIG.5

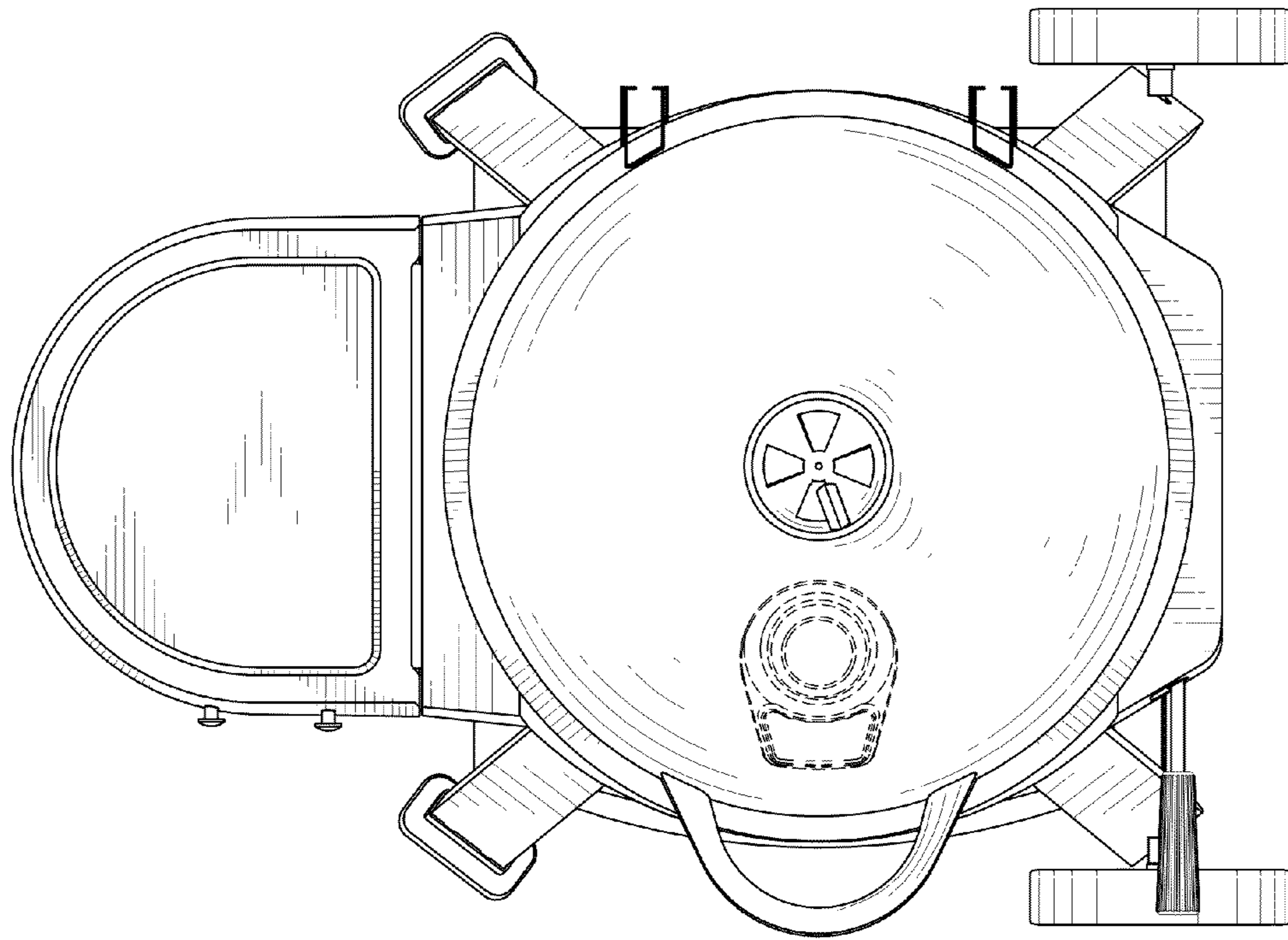


FIG.6

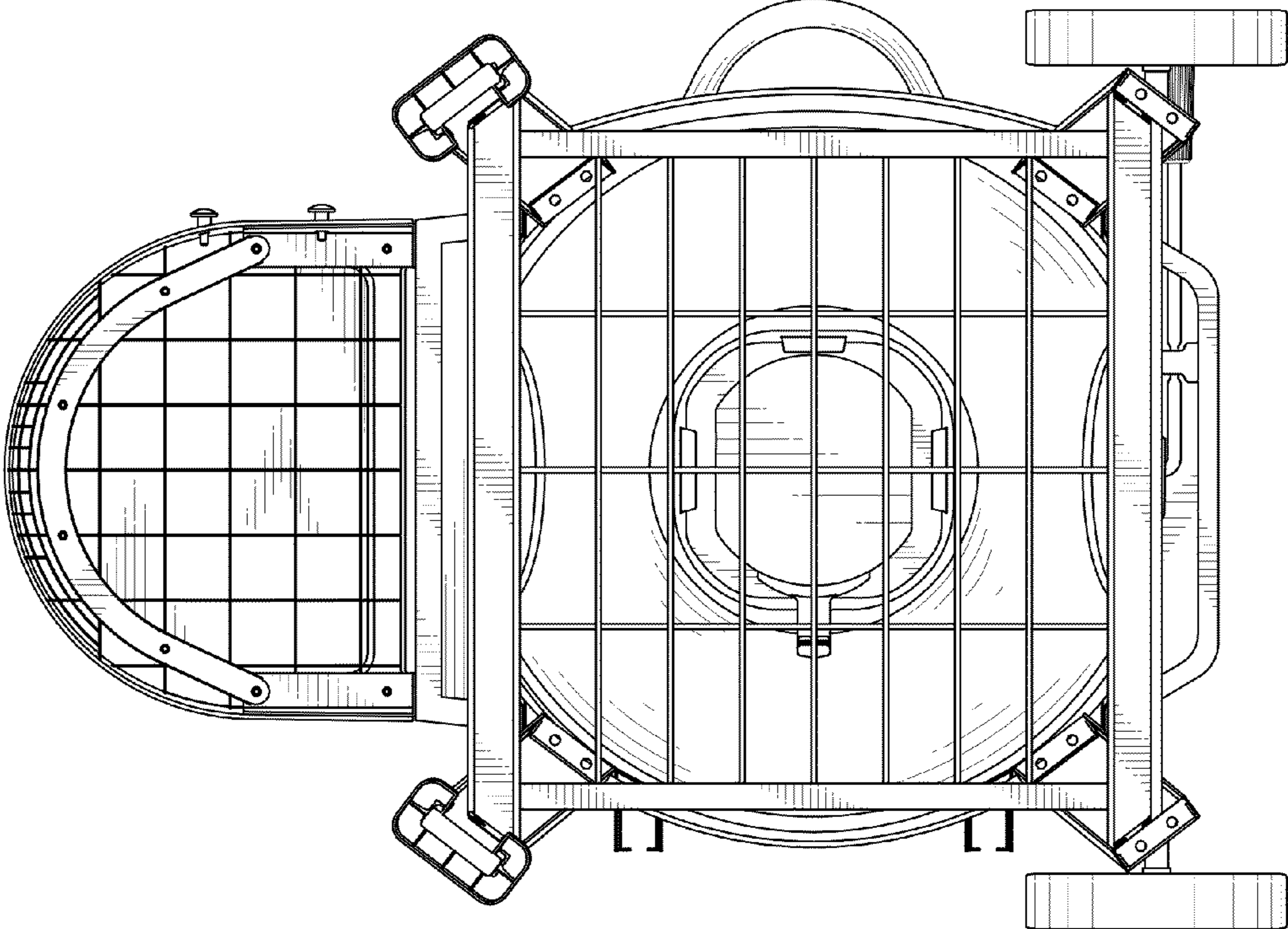


FIG.7