



US00D717096S

(12) **United States Design Patent**
Chung

(10) **Patent No.:** **US D717,096 S**

(45) **Date of Patent:** **** Nov. 11, 2014**

(54) **BARBECUE GRILL**

(71) Applicant: **Kiosky Chung**, Taichung (TW)

(72) Inventor: **Kiosky Chung**, Taichung (TW)

(**) Term: **14 Years**

(21) Appl. No.: **29/461,815**

(22) Filed: **Jul. 28, 2013**

(51) **LOC (10) Cl.** **07-02**

(52) **U.S. Cl.**
USPC **D7/334**

(58) **Field of Classification Search**

CPC ... A47J 37/07; A47J 37/0704; A47J 37/0709;
A47J 37/0713; A47J 37/0718; A47J 37/0727;
A47J 37/0731; A47J 37/0763; A47J 37/0772;
A47J 36/26; F24B 1/182; F24B 1/202; F24B
3/00; F24B 13/00; F24B 1/205; F24B 1/207;
F24B 1/22; F24C 3/085; F24C 5/00; F24C
5/20; F24C 15/08; F24C 15/10; F24C 15/18;
F24C 3/14

USPC D7/332, 334-337, 402-405
See application file for complete search history.

(56) **References Cited**

U.S. PATENT DOCUMENTS

D512,263	S	*	12/2005	Chung	D7/334
D618,037	S	*	6/2010	Chung	D7/334
D623,888	S	*	9/2010	Chung	D7/334
D653,494	S	*	2/2012	Chung	D7/334
D680,795	S	*	4/2013	Chung	D7/334
D680,796	S	*	4/2013	Chung	D7/334

* cited by examiner

Primary Examiner — Ruth McInroy

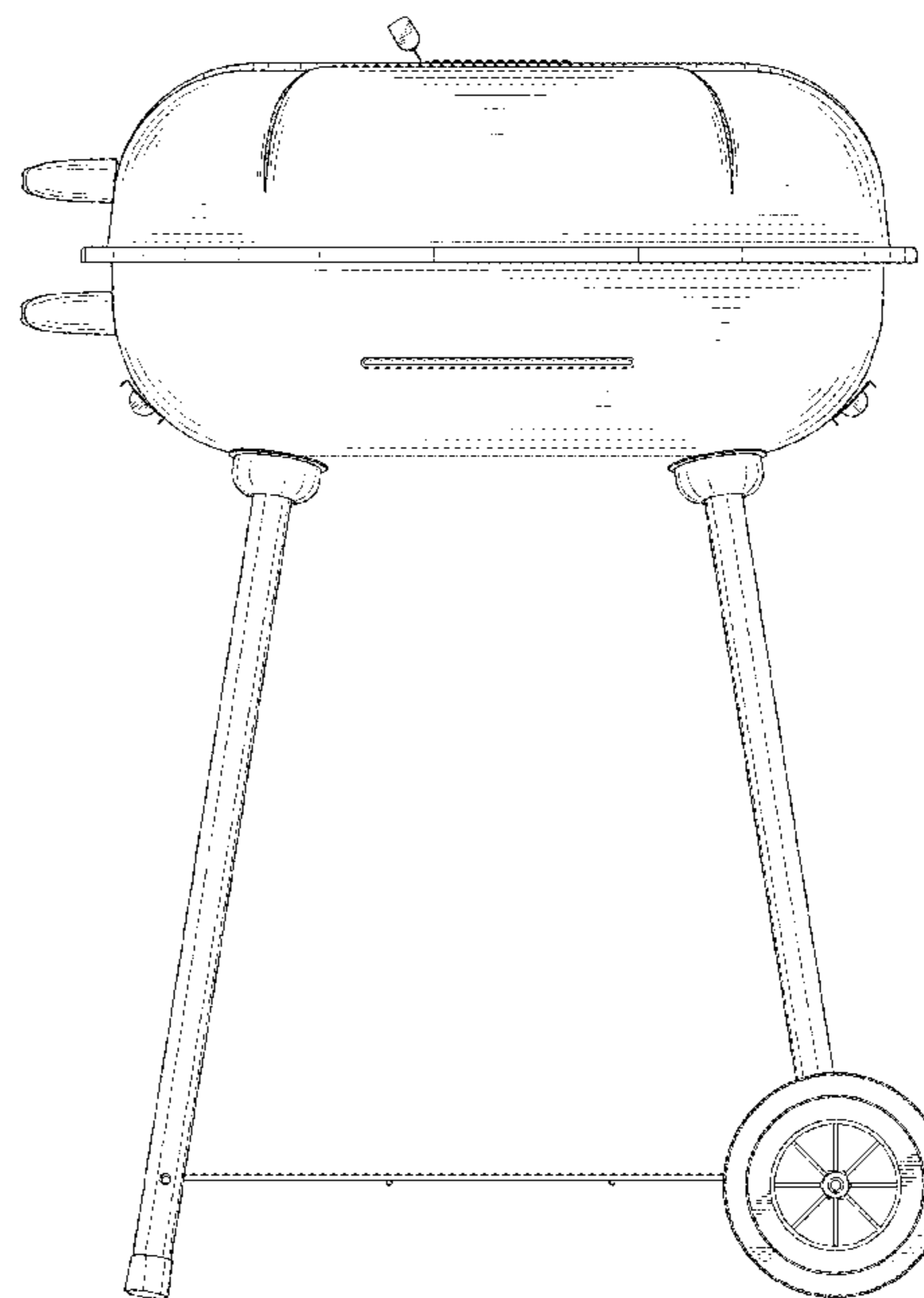
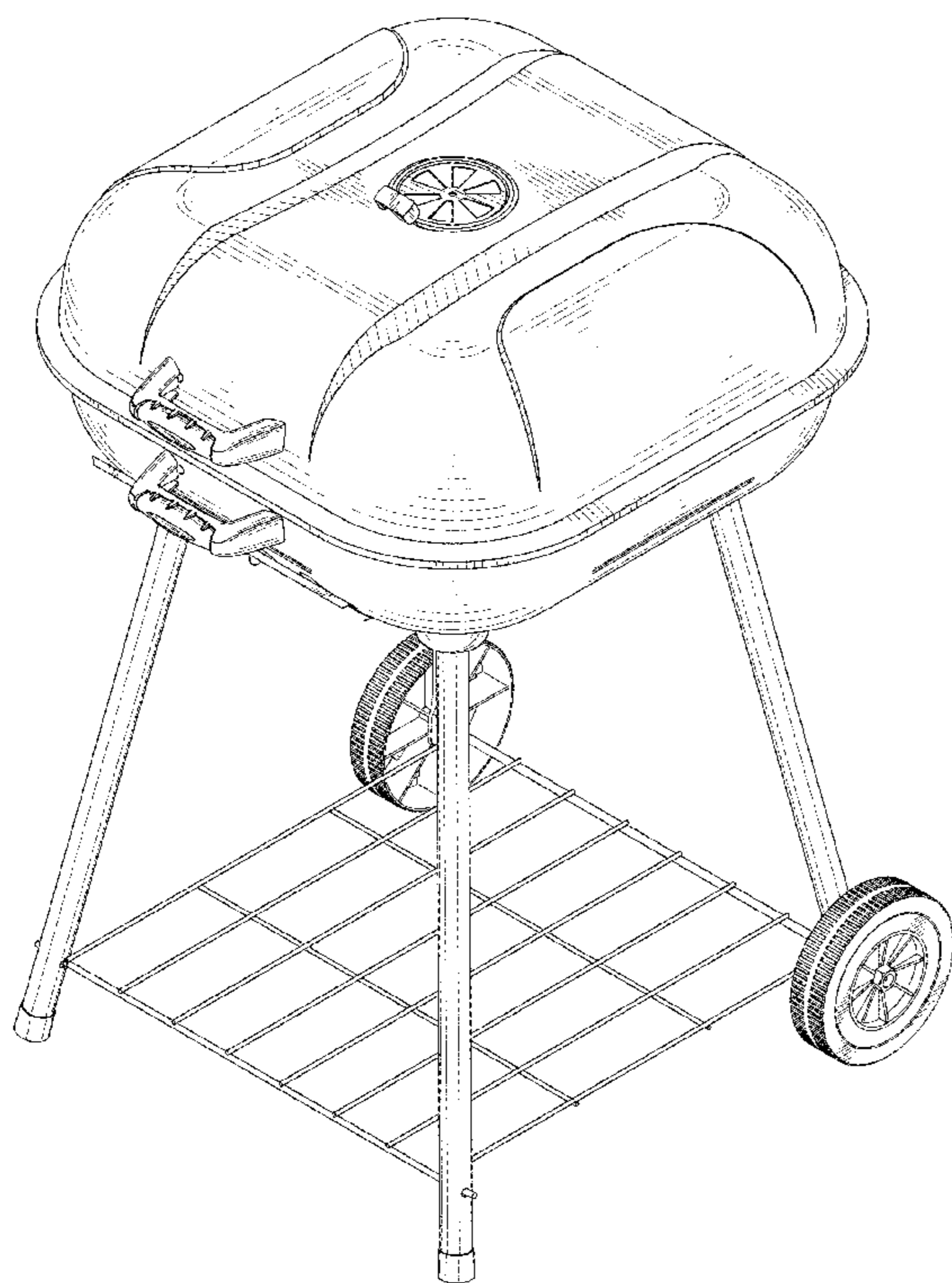
(57) **CLAIM**

I claim the ornamental design for a barbecue grill, as shown and described.

DESCRIPTION

FIG. 1 is a perspective view of a barbecue grill, showing my new design;
FIG. 2 is a front elevational view thereof;
FIG. 3 is a rear elevational view thereof;
FIG. 4 is a left side elevational view thereof;
FIG. 5 is a right side elevational view thereof;
FIG. 6 is a top plan view thereof; and,
FIG. 7 is a bottom plan view thereof.

1 Claim, 7 Drawing Sheets



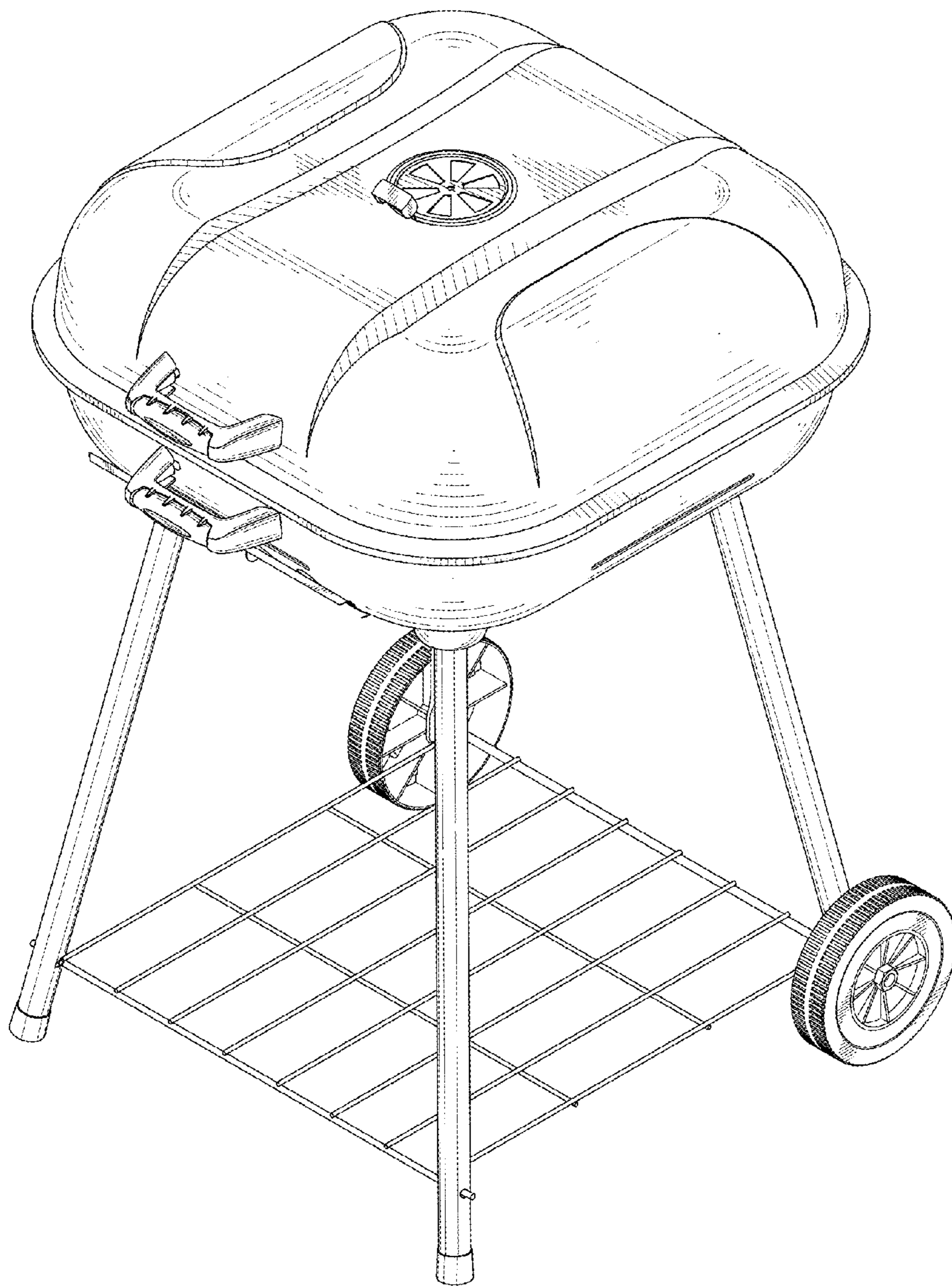


FIG. 1

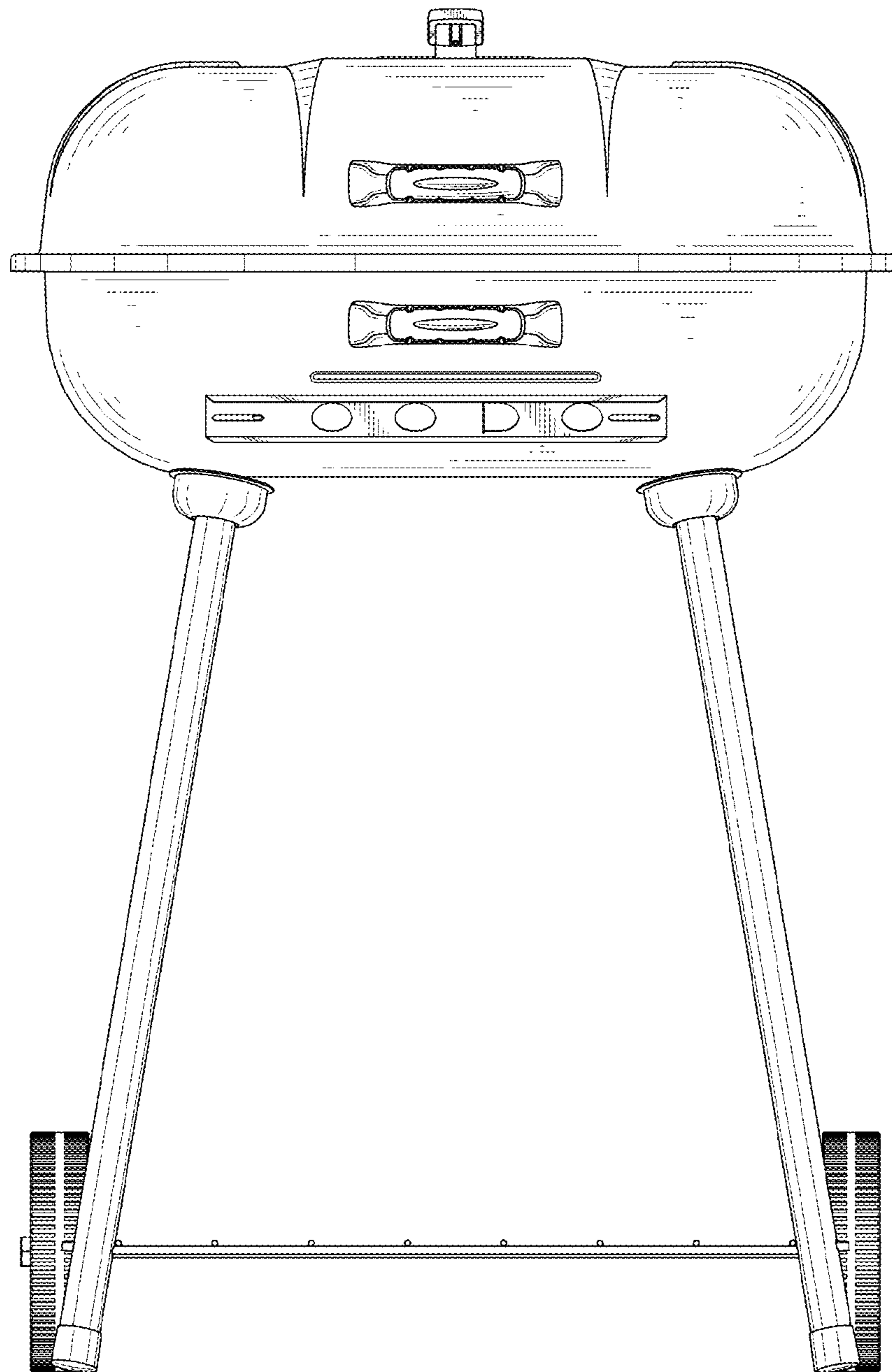


FIG. 2

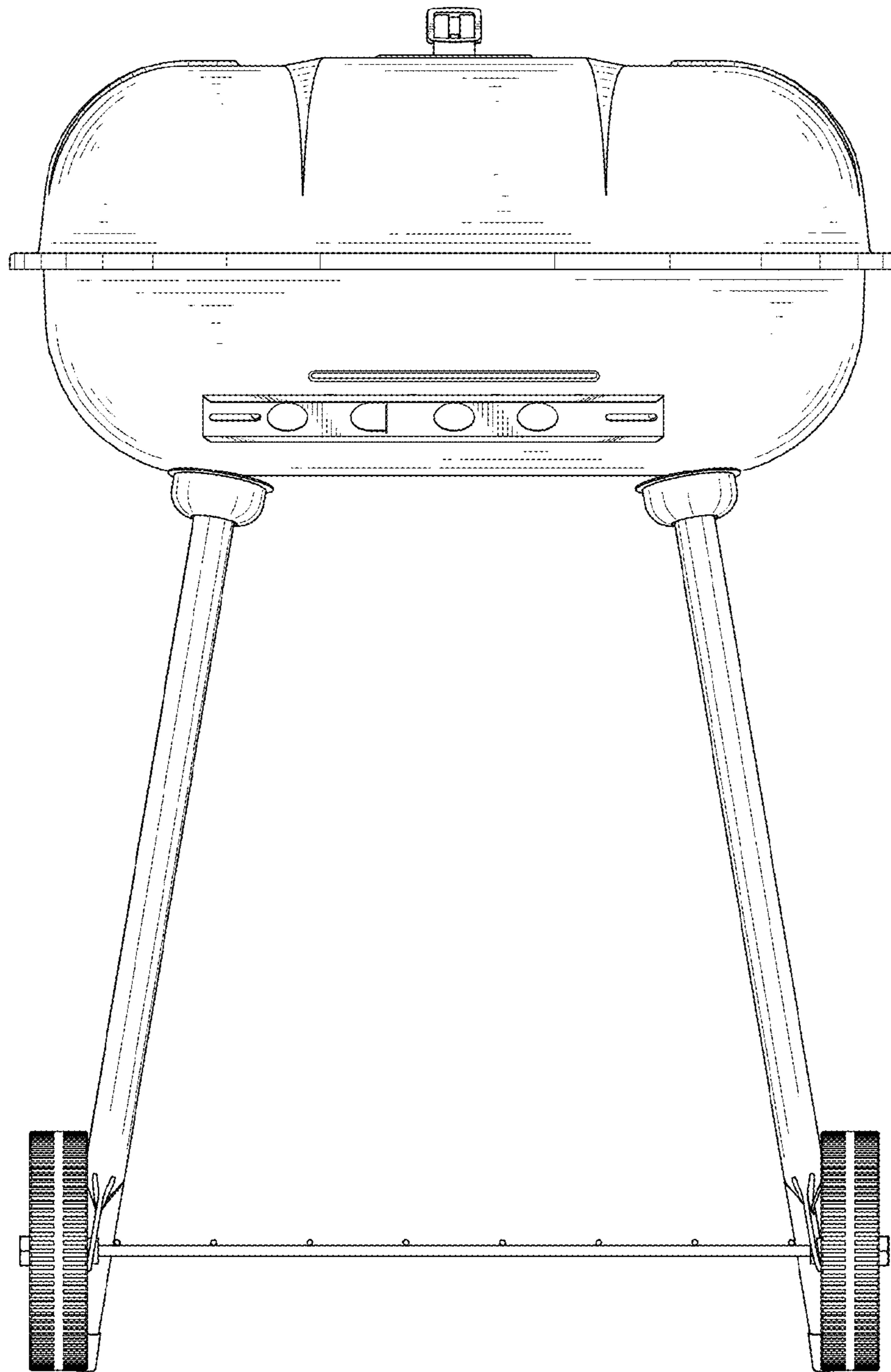


FIG. 3

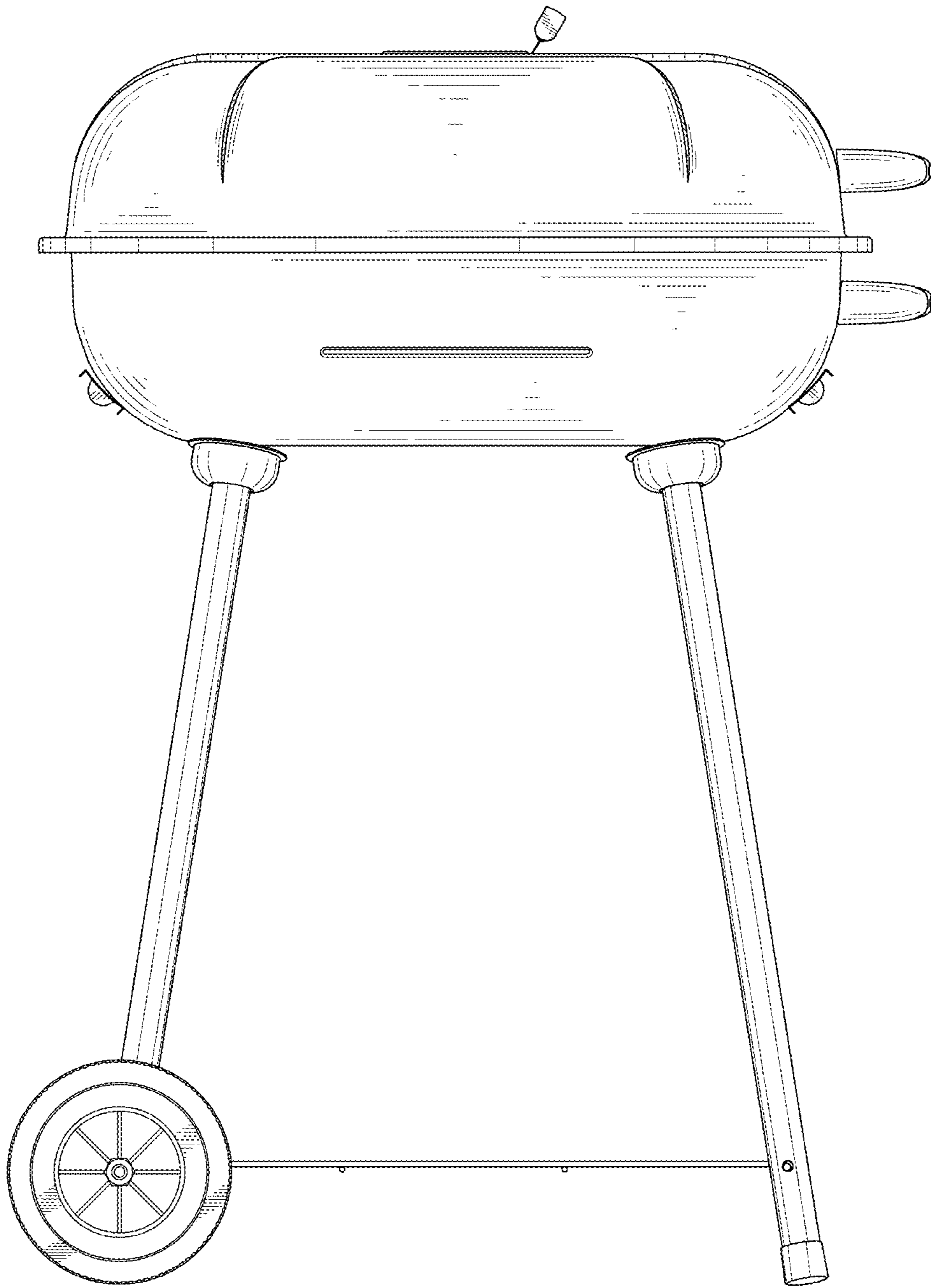


FIG. 4

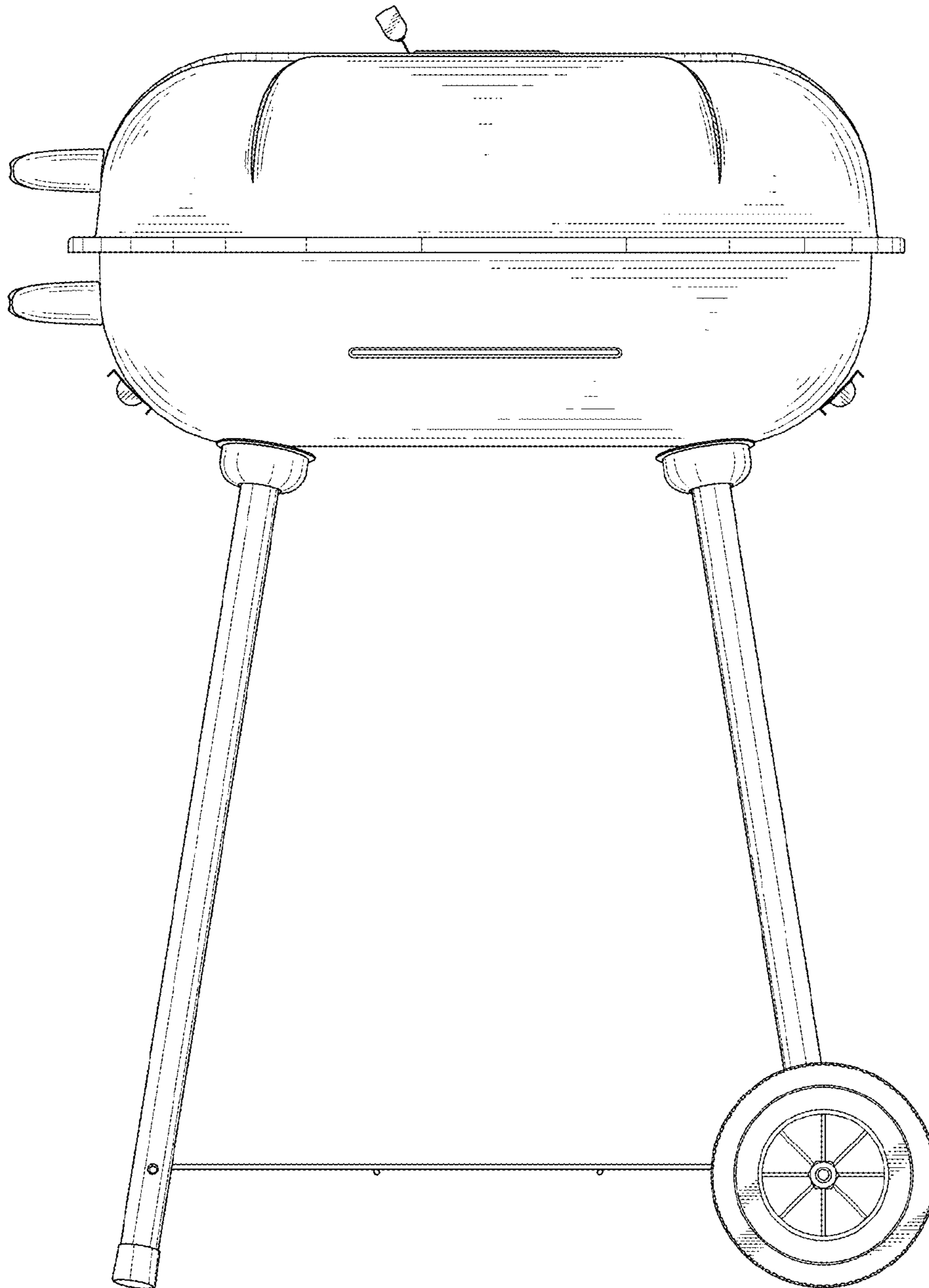


FIG. 5

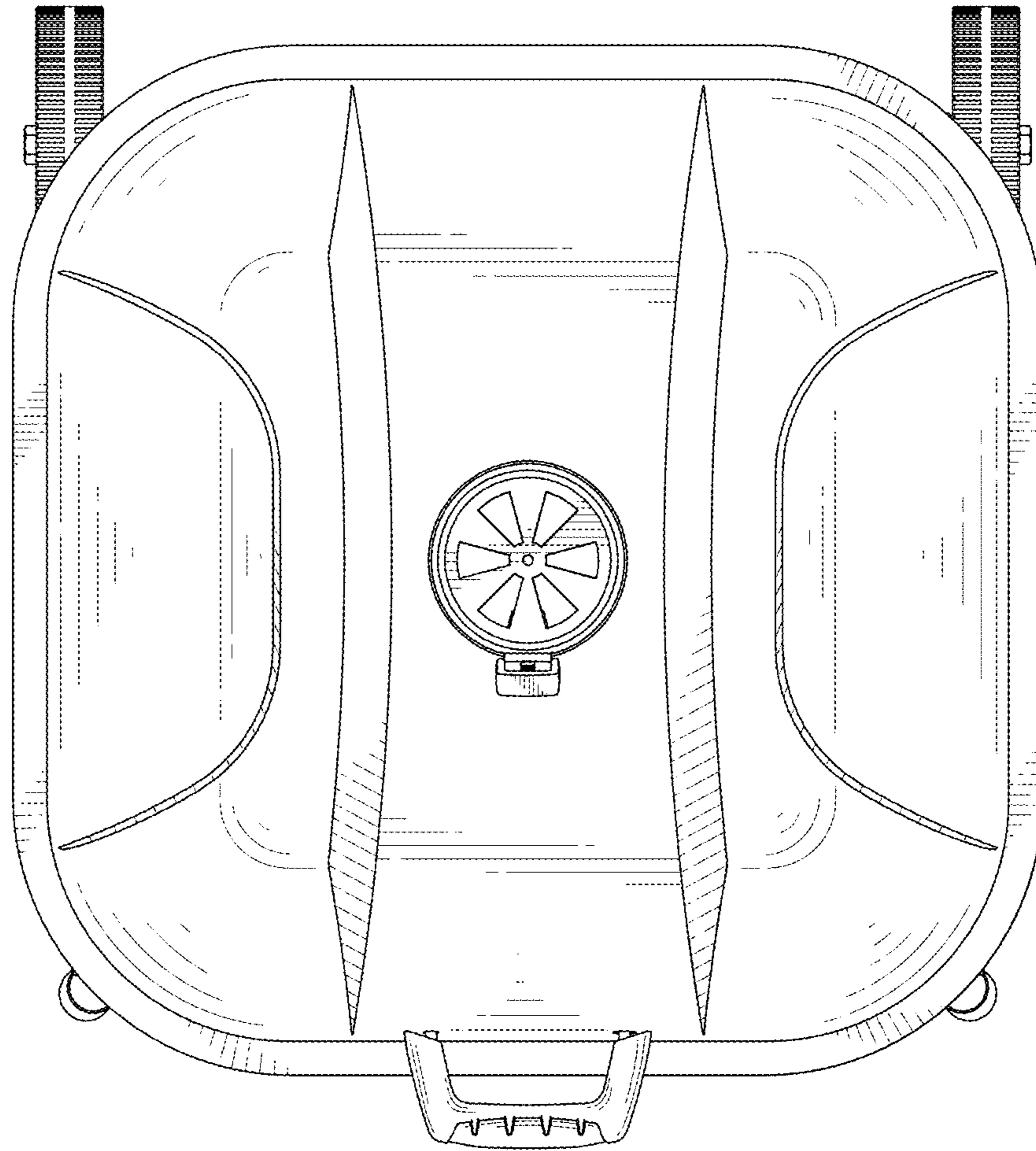


FIG. 6

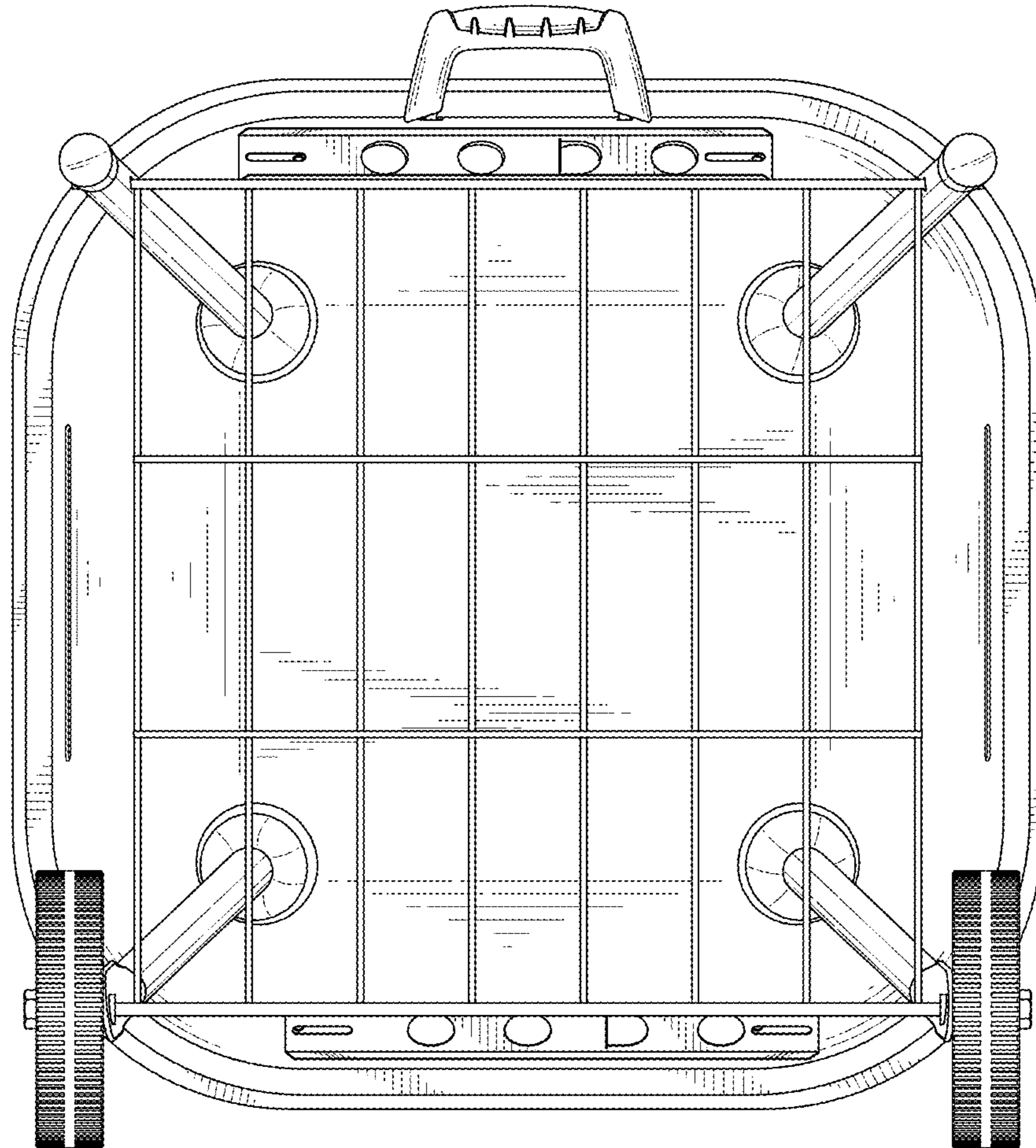


FIG. 7