



US00D717095S

(12) **United States Design Patent**
Chung

(10) **Patent No.:** **US D717,095 S**

(45) **Date of Patent:** **** Nov. 11, 2014**

(54) **BARBECUE GRILL**

(71) Applicant: **Kiosky Chung**, Taichung (TW)

(72) Inventor: **Kiosky Chung**, Taichung (TW)

(**) Term: **14 Years**

(21) Appl. No.: **29/461,814**

(22) Filed: **Jul. 28, 2013**

(51) **LOC (10) Cl.** **07-02**

(52) **U.S. Cl.**
USPC **D7/334**

(58) **Field of Classification Search**

CPC F24B 1/205; F24B 1/207; F24B 1/22;
F24B 1/182; F24B 1/202; F24B 3/00; F24B
13/00; A47J 36/26; F24C 3/085; F24C 3/14;
F24C 5/00; F24C 5/20; F24C 15/08; F24C
15/10; F24C 15/18

USPC D7/332, 334-337, 402-405
See application file for complete search history.

(56) **References Cited**

U.S. PATENT DOCUMENTS

D482,561 S * 11/2003 Yeh D7/332
D496,821 S * 10/2004 Pai D7/334

D505,824 S * 6/2005 Nipke et al. D7/334
D507,927 S * 8/2005 Nipke et al. D7/334
D508,365 S * 8/2005 Nipke et al. D7/334
D516,366 S * 3/2006 Nipke et al. D7/334
D528,847 S * 9/2006 Chung D7/334
D623,003 S * 9/2010 Chung D7/334
2009/0064988 A1 * 3/2009 Chiang 126/25 R
2011/0214662 A1 * 9/2011 Contarino, Jr. 126/25 R
2012/0090593 A1 * 4/2012 Urquhart et al. 126/25 B
2014/0026766 A1 * 1/2014 Goff, IV 99/445

* cited by examiner

Primary Examiner — Ruth McInroy

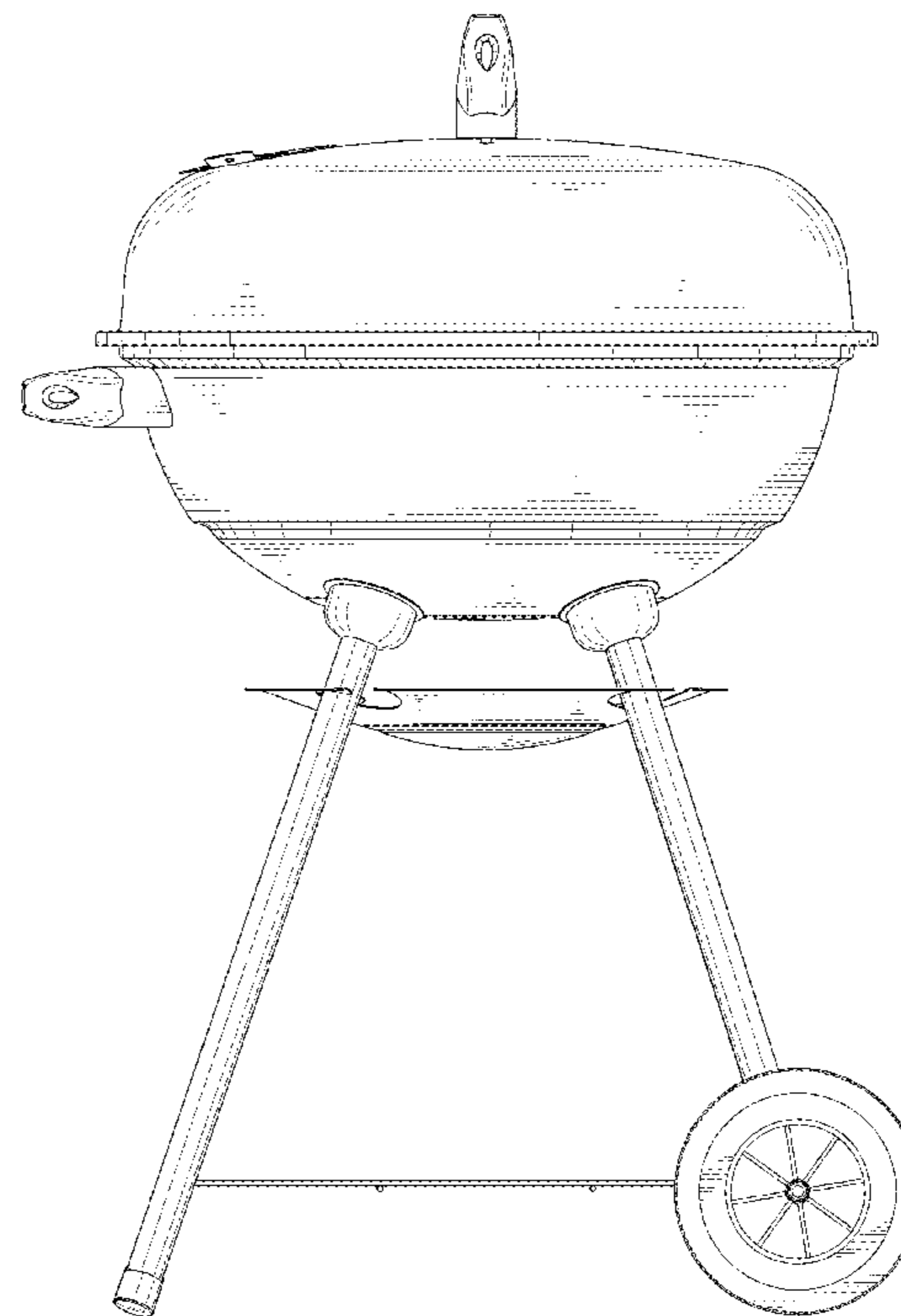
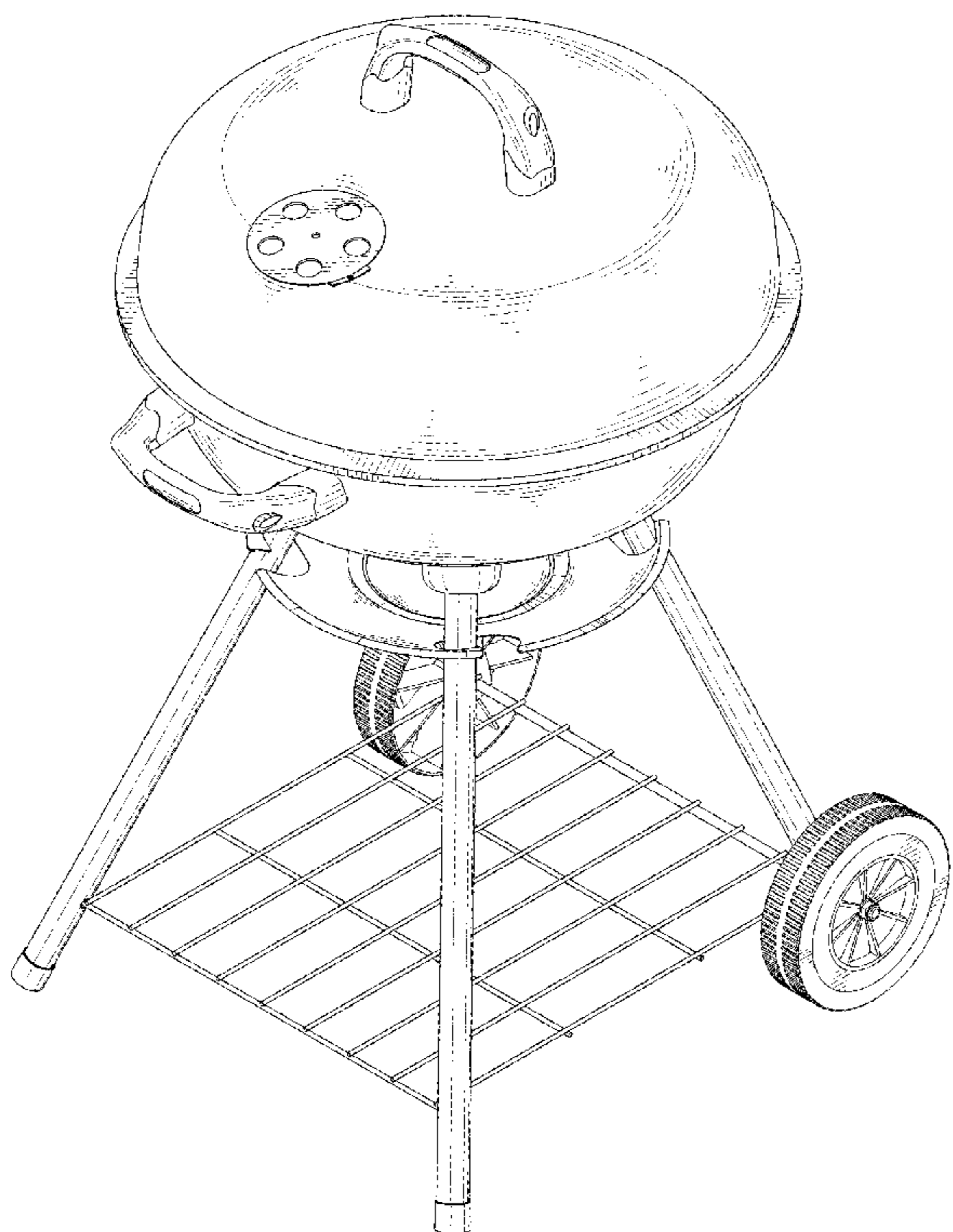
(57) **CLAIM**

I claim the ornamental design for a barbecue grill, as shown and described.

DESCRIPTION

FIG. 1 is a perspective view of a barbecue grill, showing my new design;
FIG. 2 is a front elevational view thereof;
FIG. 3 is a rear elevational view thereof;
FIG. 4 is a left side elevational view thereof;
FIG. 5 is a right side elevational view thereof;
FIG. 6 is a top plan view thereof; and,
FIG. 7 is a bottom plan view thereof.

1 Claim, 7 Drawing Sheets



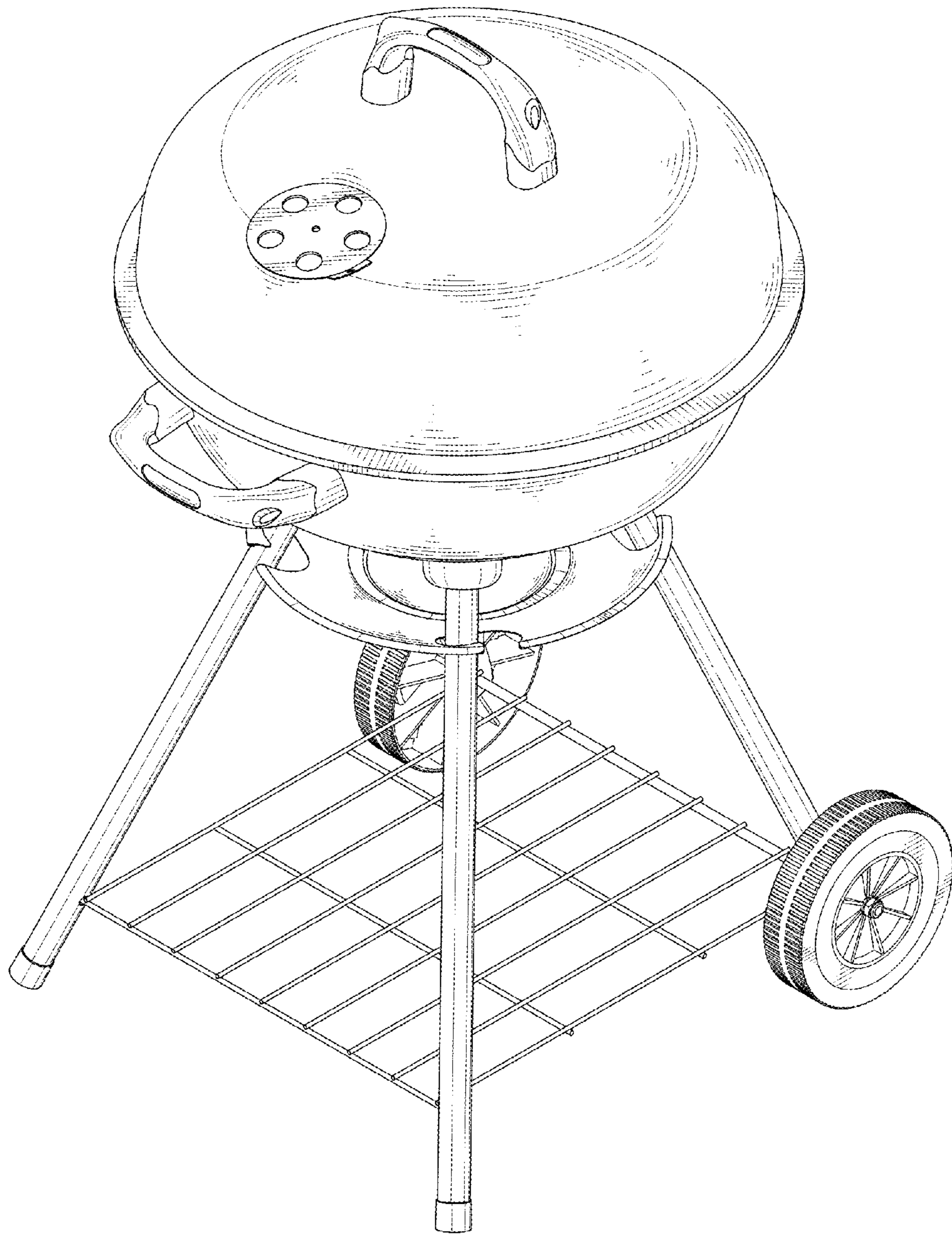


FIG. 1

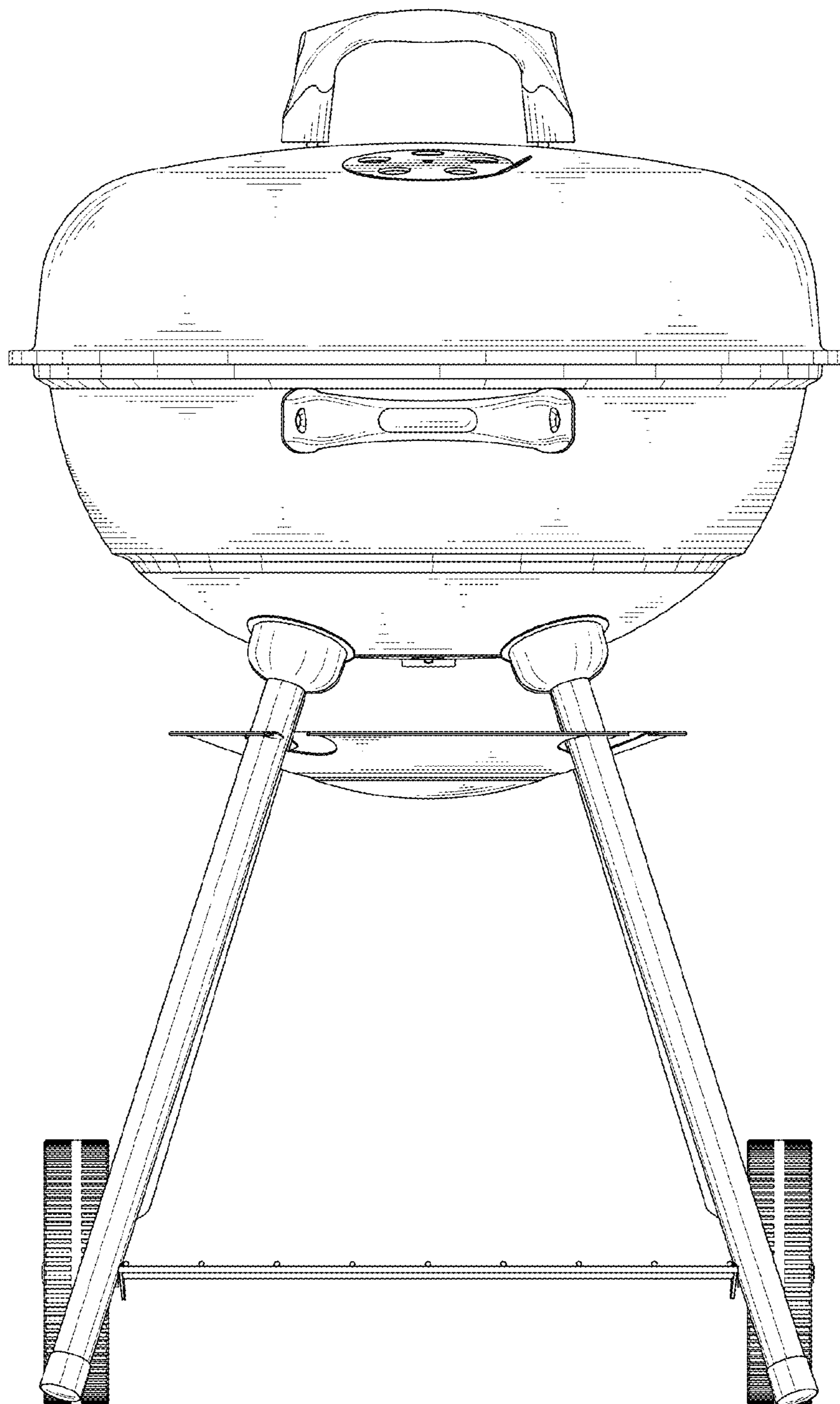


FIG. 2

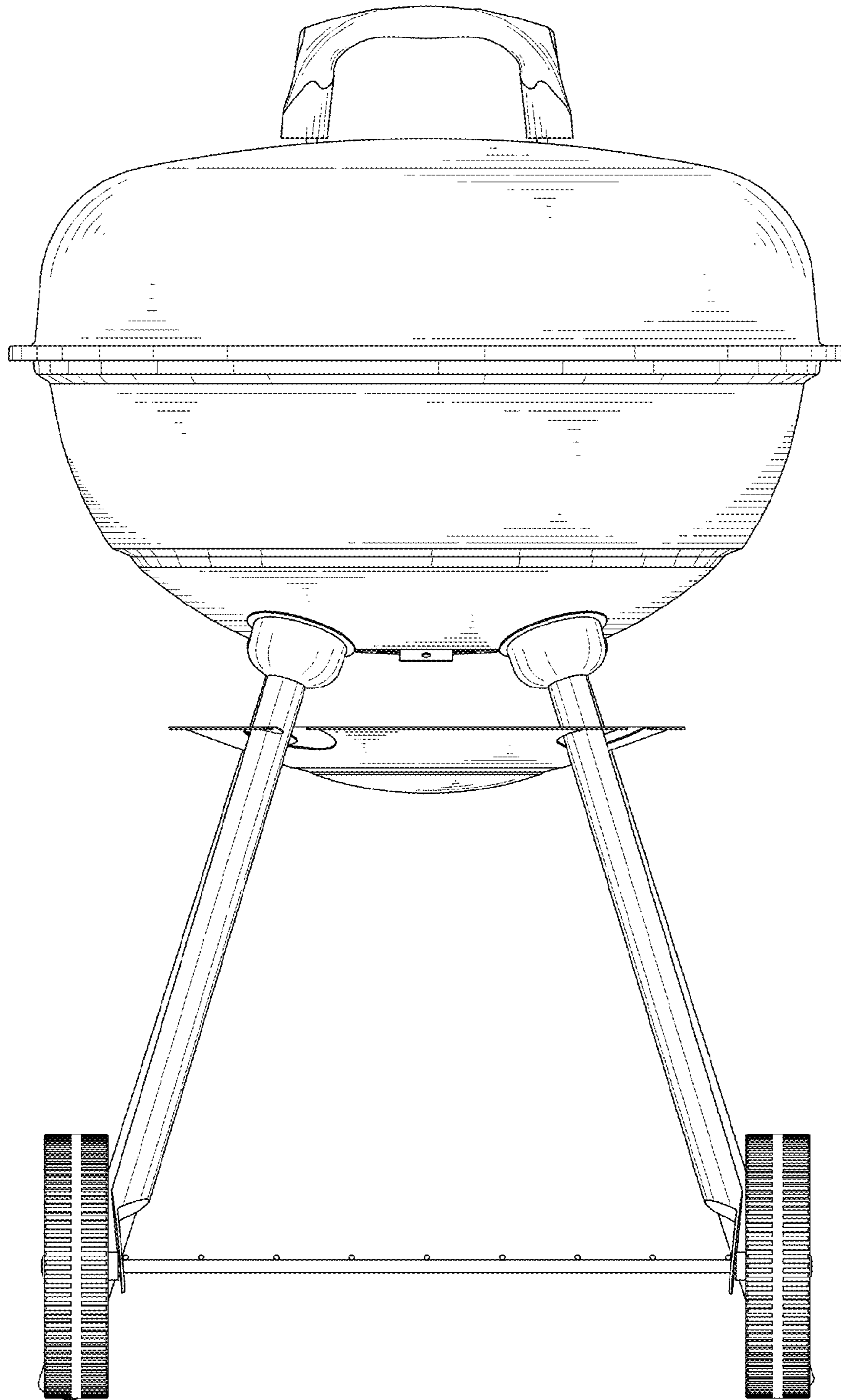


FIG. 3



FIG. 4

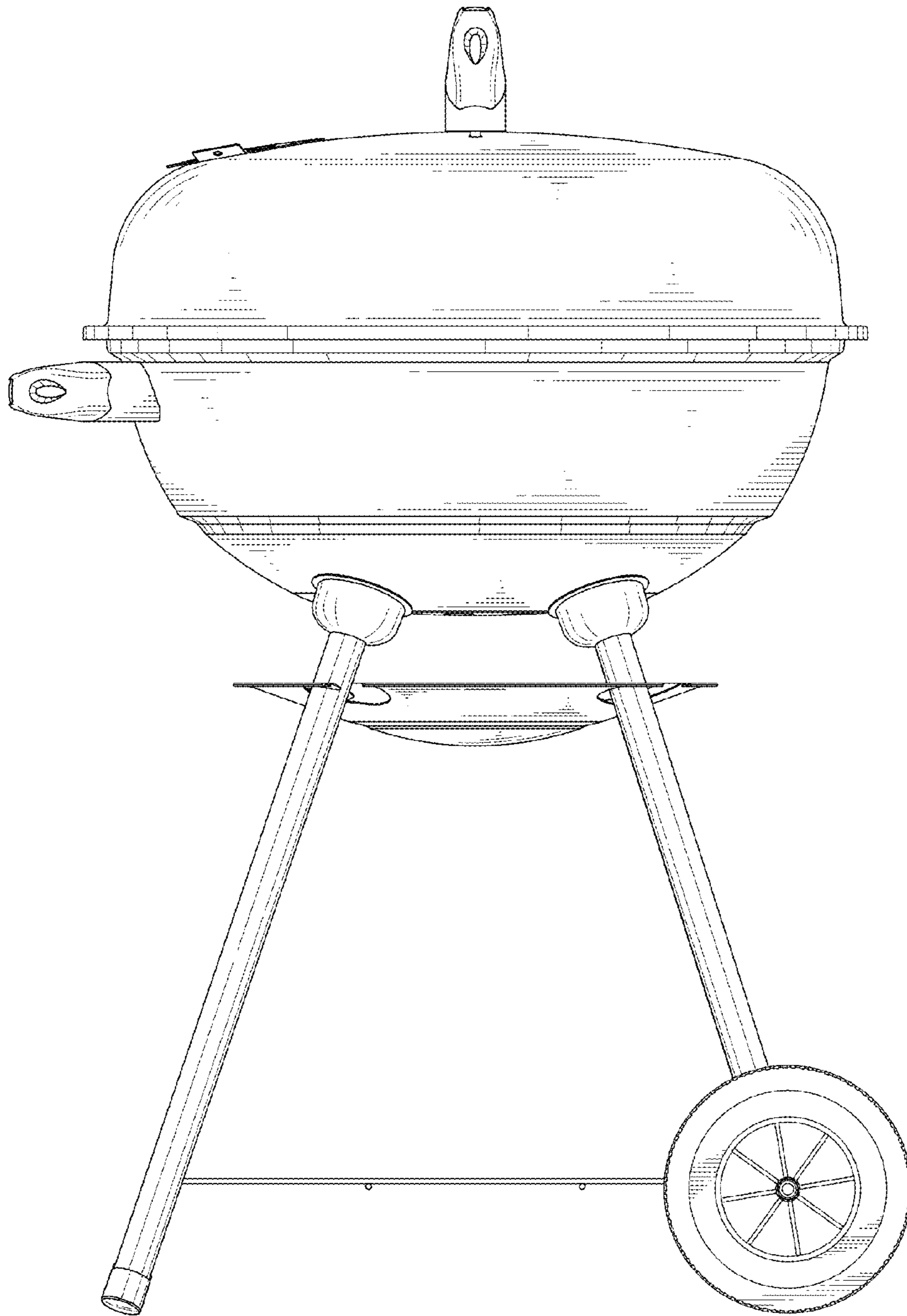


FIG. 5

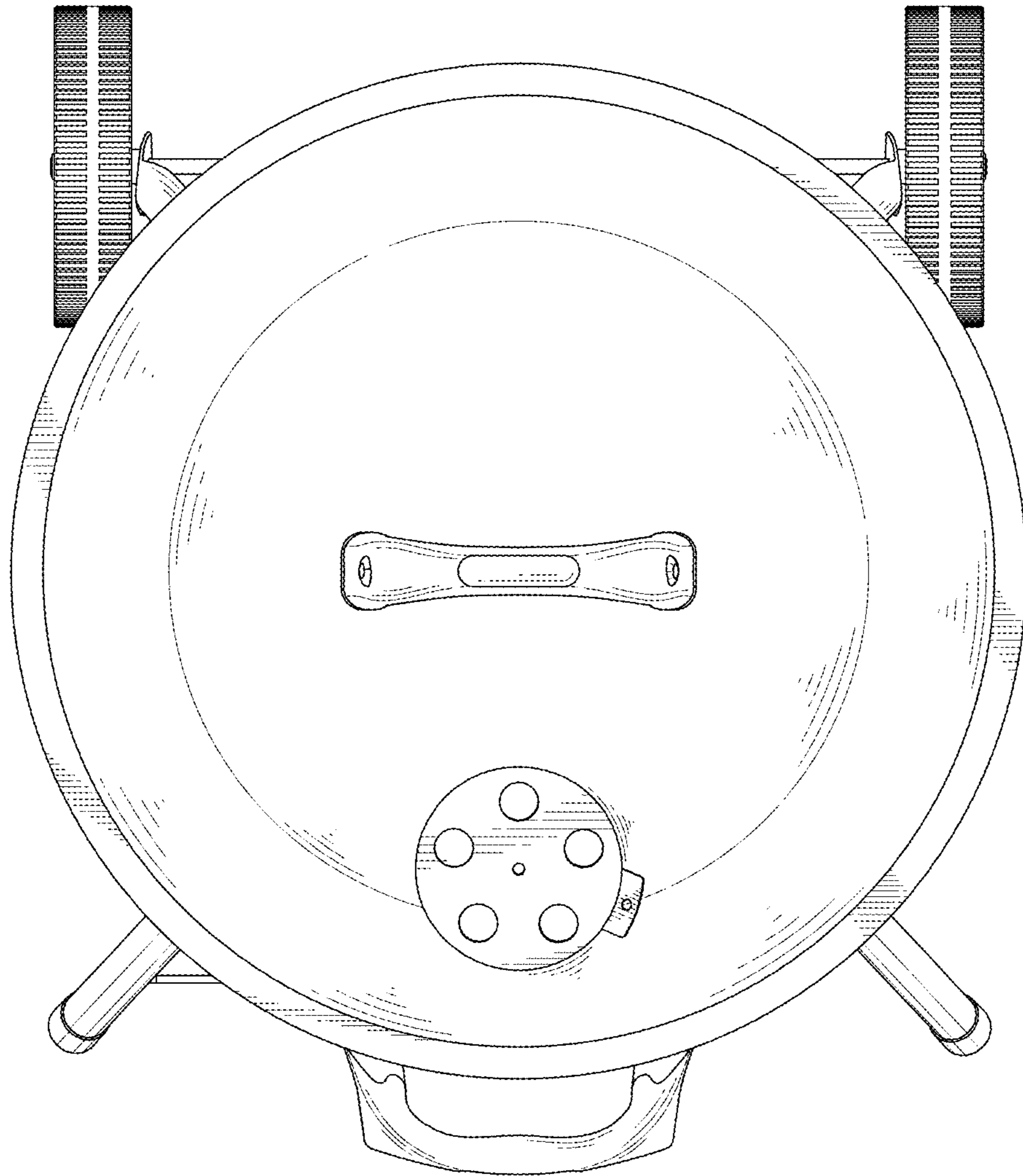


FIG. 6

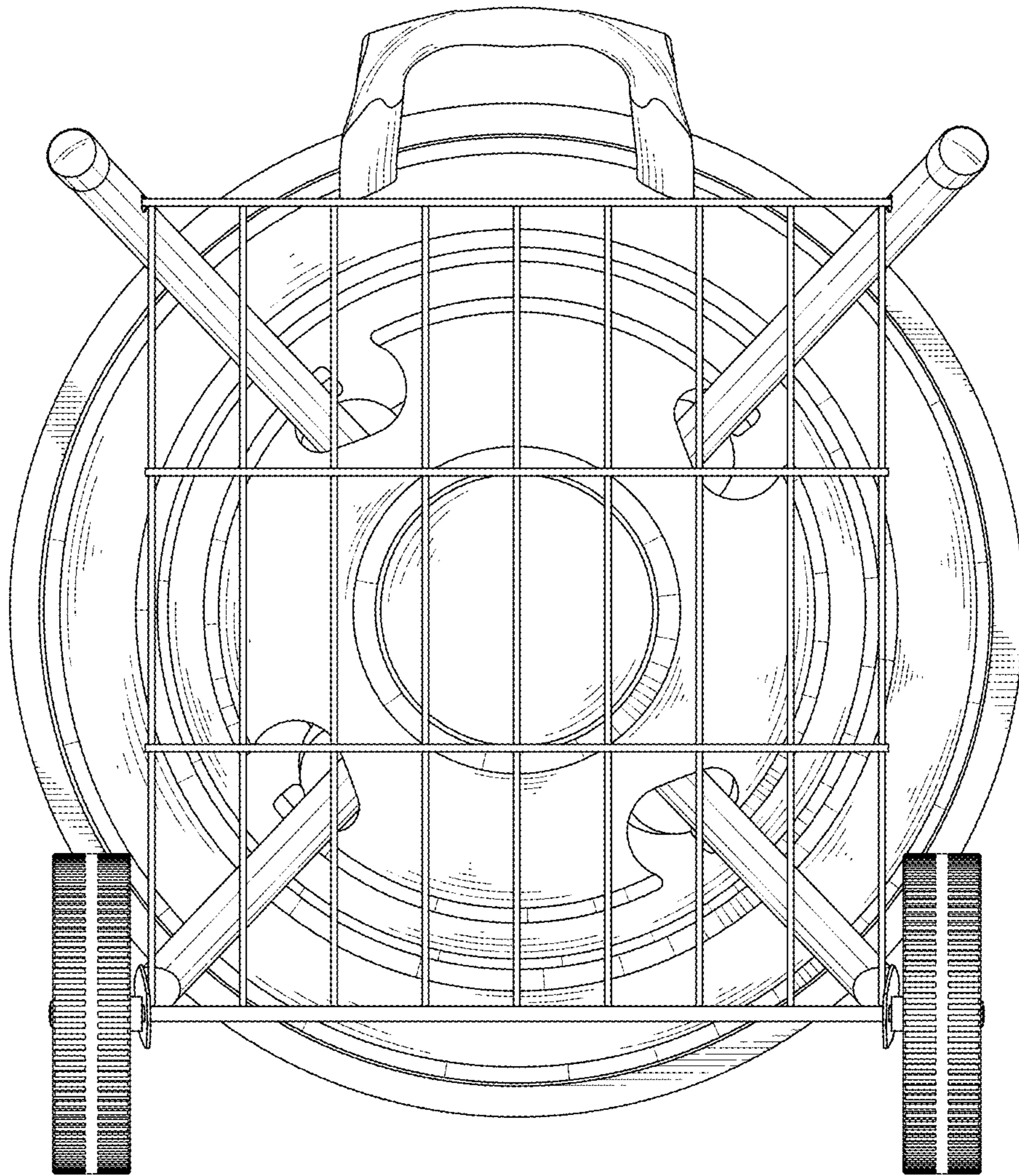


FIG. 7