



US00D717094S

(12) **United States Design Patent**
Chung

(10) **Patent No.:** **US D717,094 S**

(45) **Date of Patent:** **** Nov. 11, 2014**

(54) **BARBECUE GRILL**

(71) Applicant: **Kiosky Chung**, Taichung (TW)

(72) Inventor: **Kiosky Chung**, Taichung (TW)

(**) Term: **14 Years**

(21) Appl. No.: **29/461,807**

(22) Filed: **Jul. 27, 2013**

(51) **LOC (10) Cl.** **07-02**

(52) **U.S. Cl.**
USPC **D7/334**

(58) **Field of Classification Search**
CPC ... A47J 37/07; A47J 37/0704; A47J 37/0709;
A47J 37/0713; A47J 37/0718; A47J 37/0727;
A47J 37/0731; A47J 37/0763; A47J 37/0772;
A47J 36/26; F24B 1/182; F24B 1/202; F24B
3/00; F24B 13/00; F24B 1/205; F24B 1/207;
F24B 1/22; F24C 3/085; F24C 3/14; F24C
5/00; F24C 5/20; F24C 15/08; F24C 15/10;
F24C 15/18
USPC D7/332, 334–337, 402–405
See application file for complete search history.

(56) **References Cited**

U.S. PATENT DOCUMENTS

D482,561	S	*	11/2003	Yeh	D7/332
D496,821	S	*	10/2004	Pai	D7/334
D505,824	S	*	6/2005	Nipke et al.	D7/334
D507,927	S	*	8/2005	Nipke et al.	D7/334
D508,365	S	*	8/2005	Nipke et al.	D7/334
D516,366	S	*	3/2006	Nipke et al.	D7/334
D528,847	S	*	9/2006	Chung	D7/334
D623,003	S	*	9/2010	Chung	D7/334
2009/0064988	A1	*	3/2009	Chiang	126/25 R
2011/0214662	A1	*	9/2011	Contarino, Jr.	126/25 R
2012/0090593	A1	*	4/2012	Urquhart et al.	126/25 B
2014/0026766	A1	*	1/2014	Goff, IV	99/445

* cited by examiner

Primary Examiner — Ruth McInroy

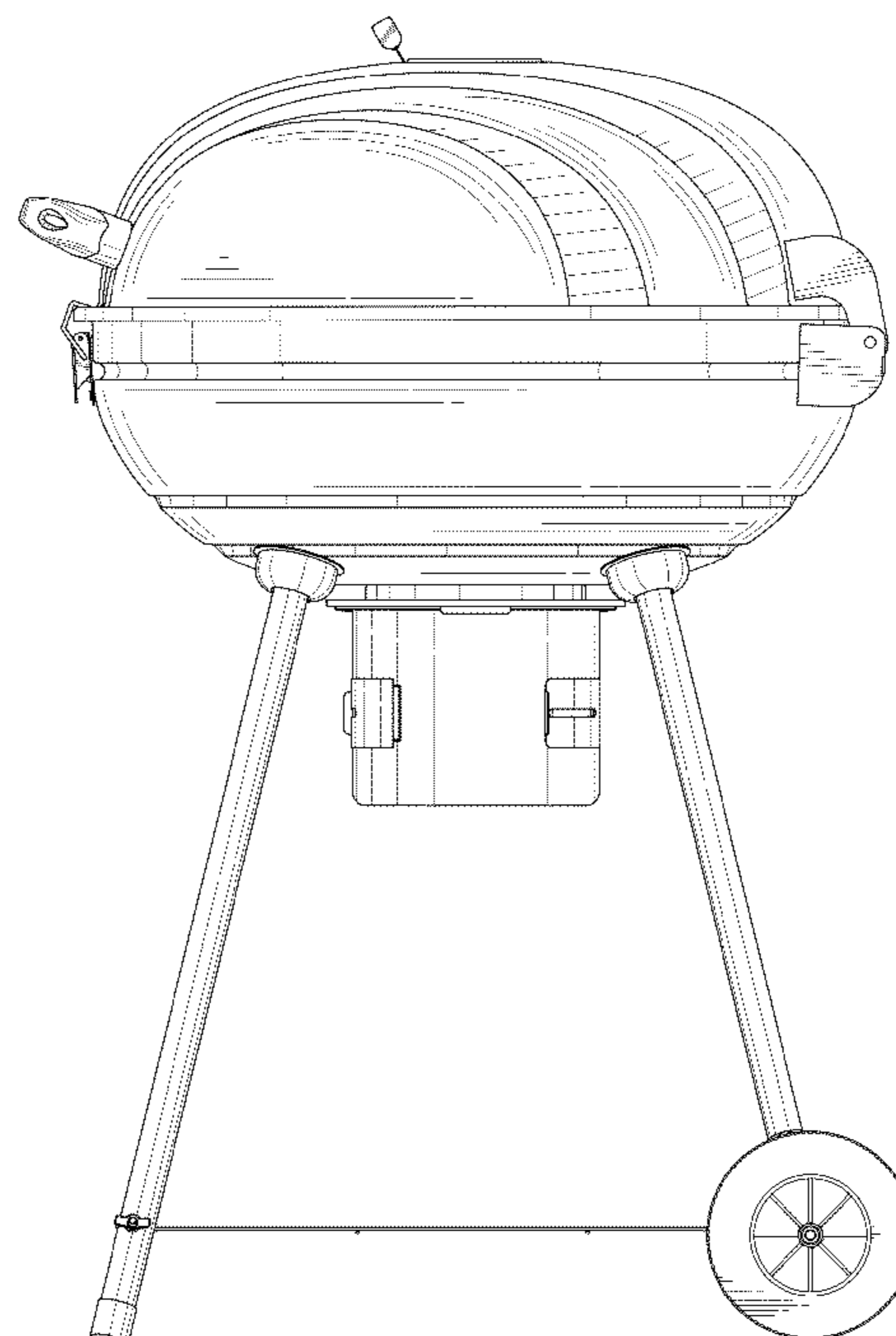
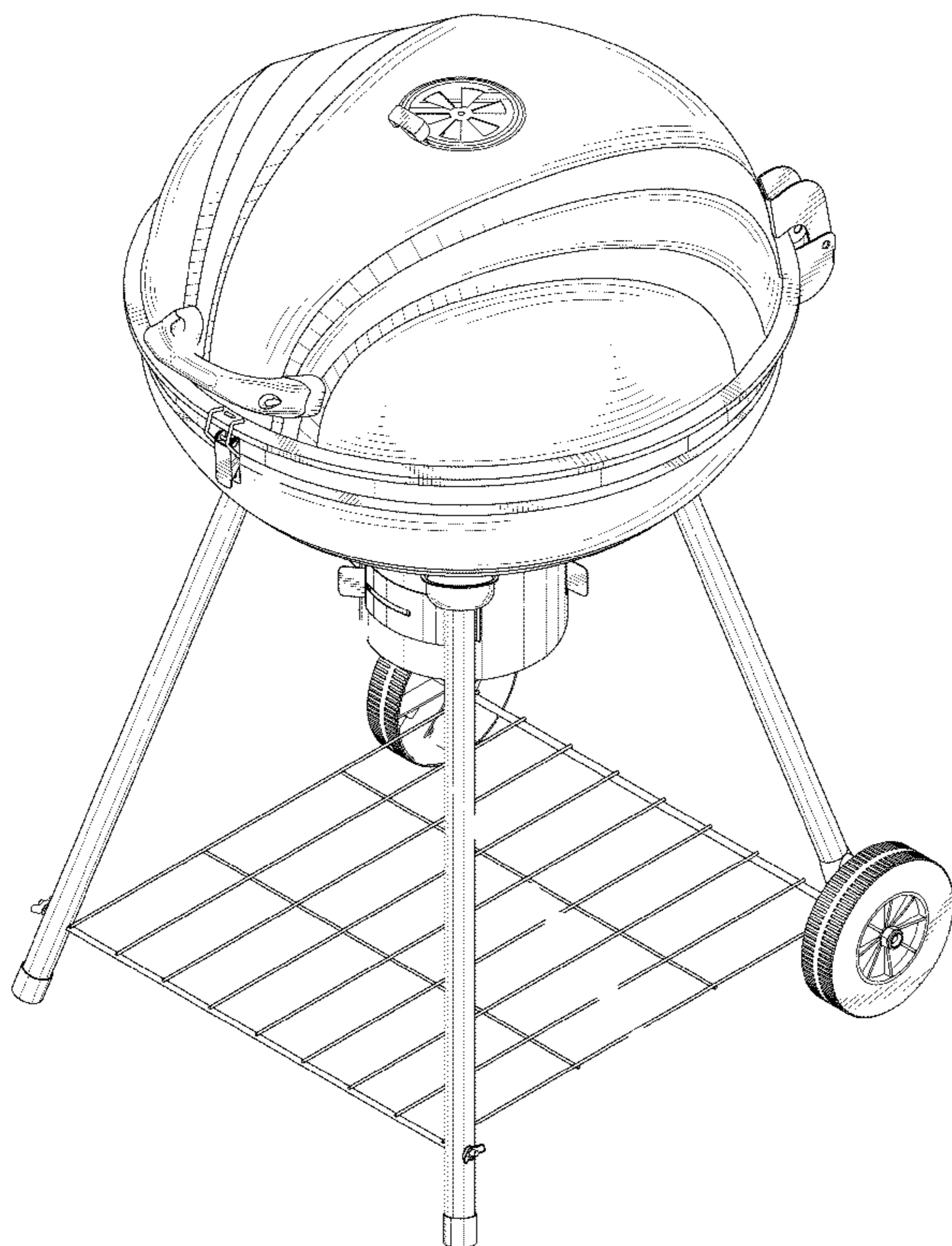
(57) **CLAIM**

I claim the ornamental design for a barbecue grill, as shown and described.

DESCRIPTION

FIG. 1 is a perspective view of a barbecue grill, showing my new design;
FIG. 2 is a front elevational view thereof;
FIG. 3 is a rear elevational view thereof;
FIG. 4 is a left side elevational view thereof;
FIG. 5 is a right side elevational view thereof;
FIG. 6 is a top plan view thereof; and,
FIG. 7 is a bottom plan view thereof.

1 Claim, 7 Drawing Sheets



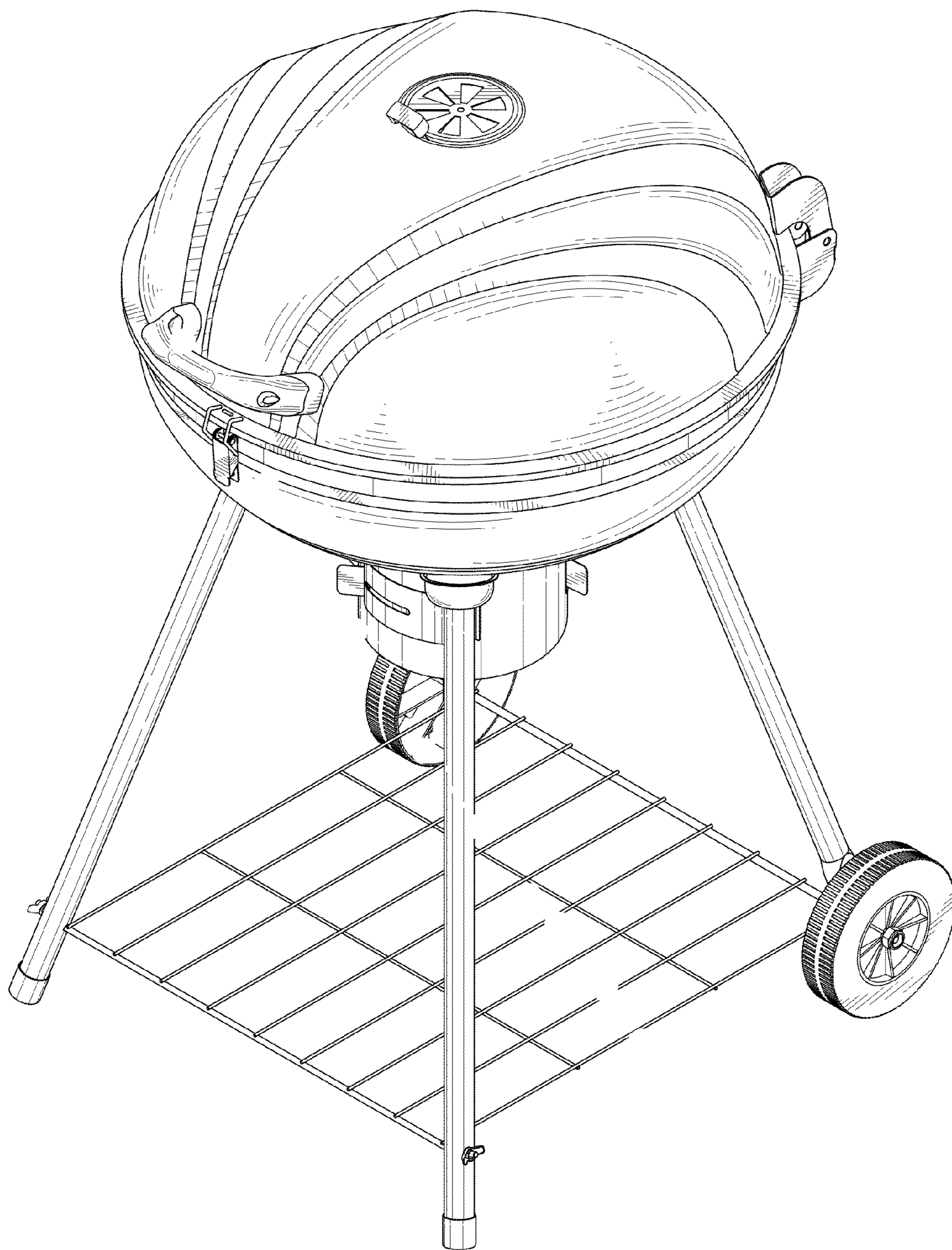


FIG. 1

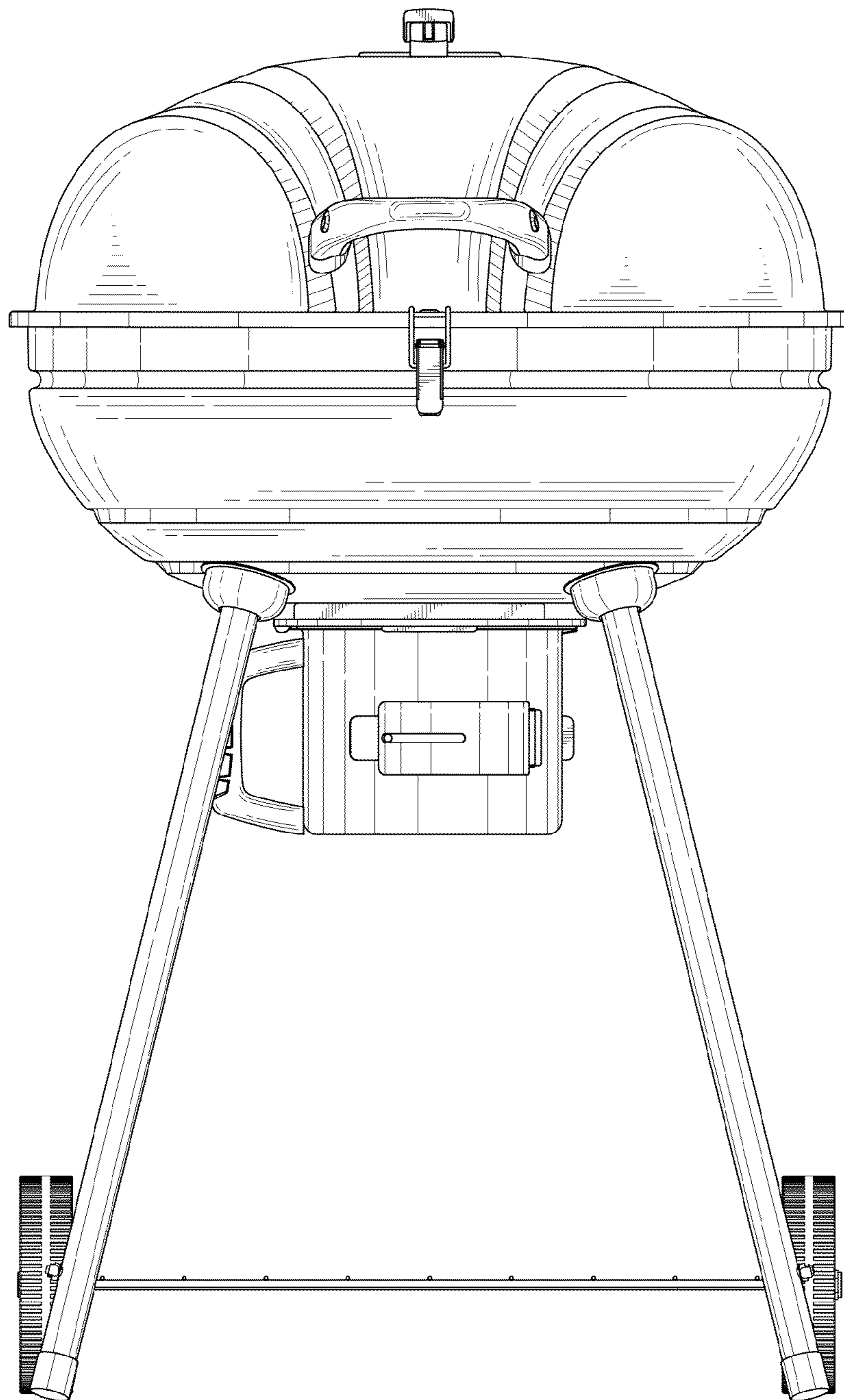


FIG. 2

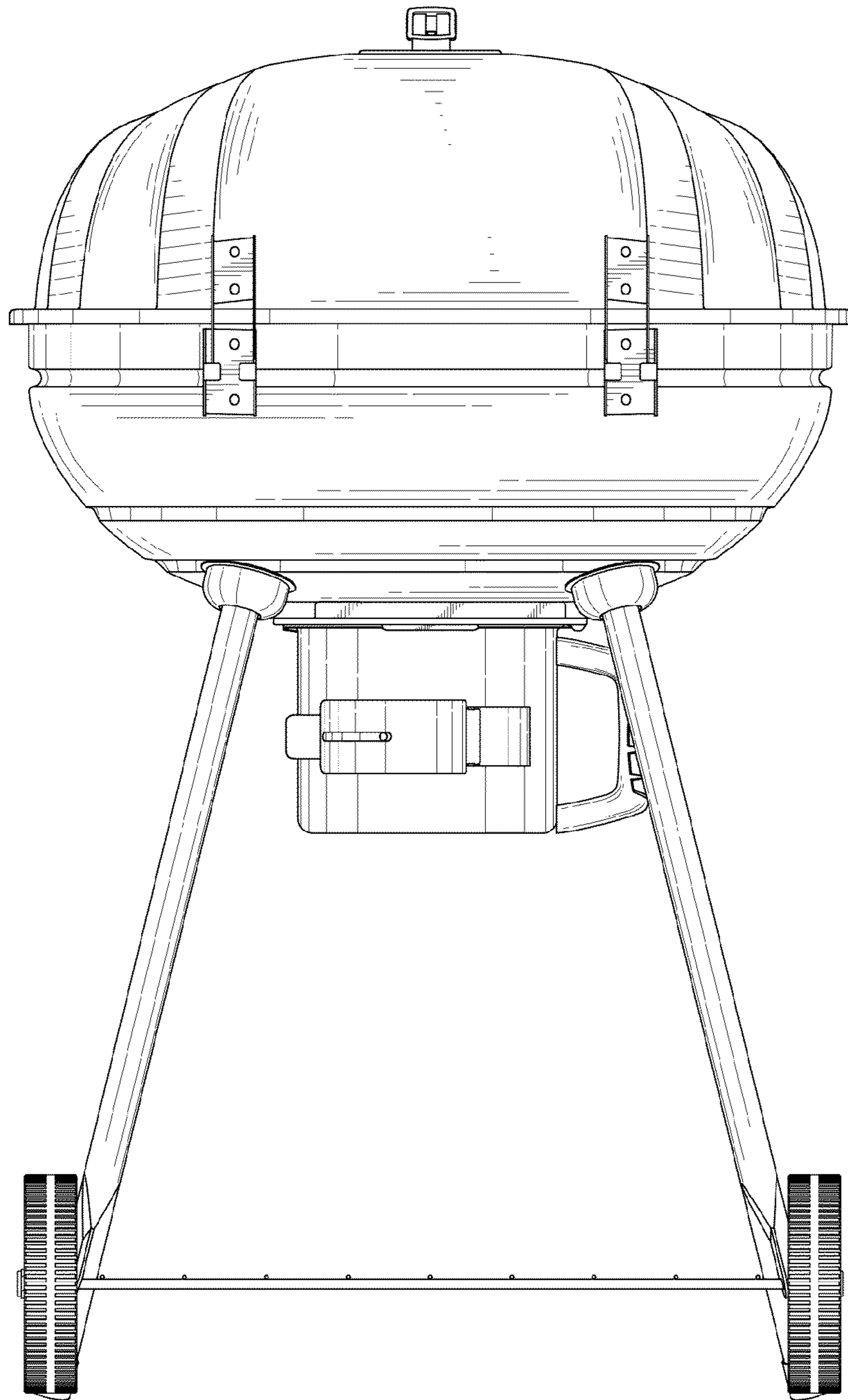


FIG. 3

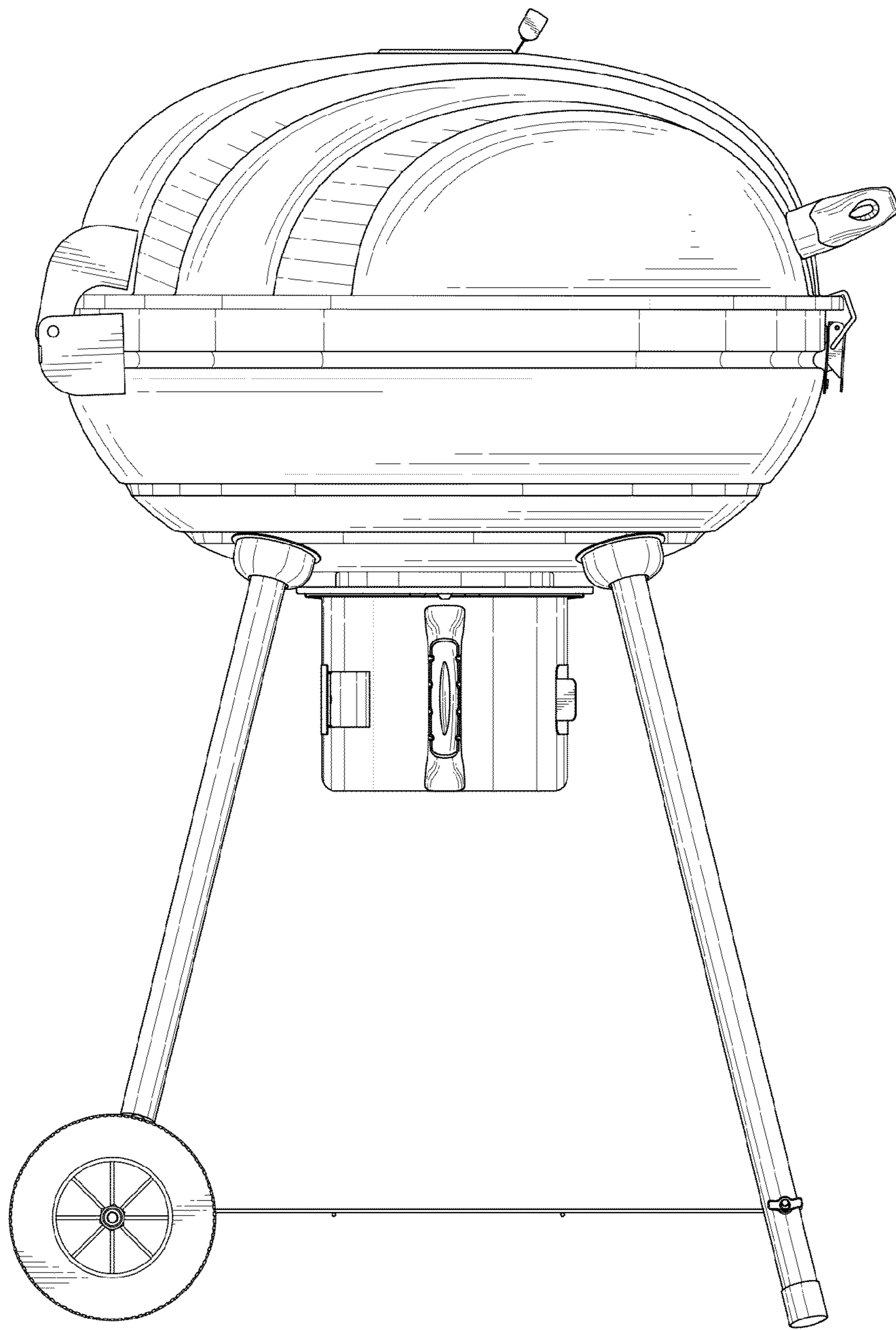


FIG. 4

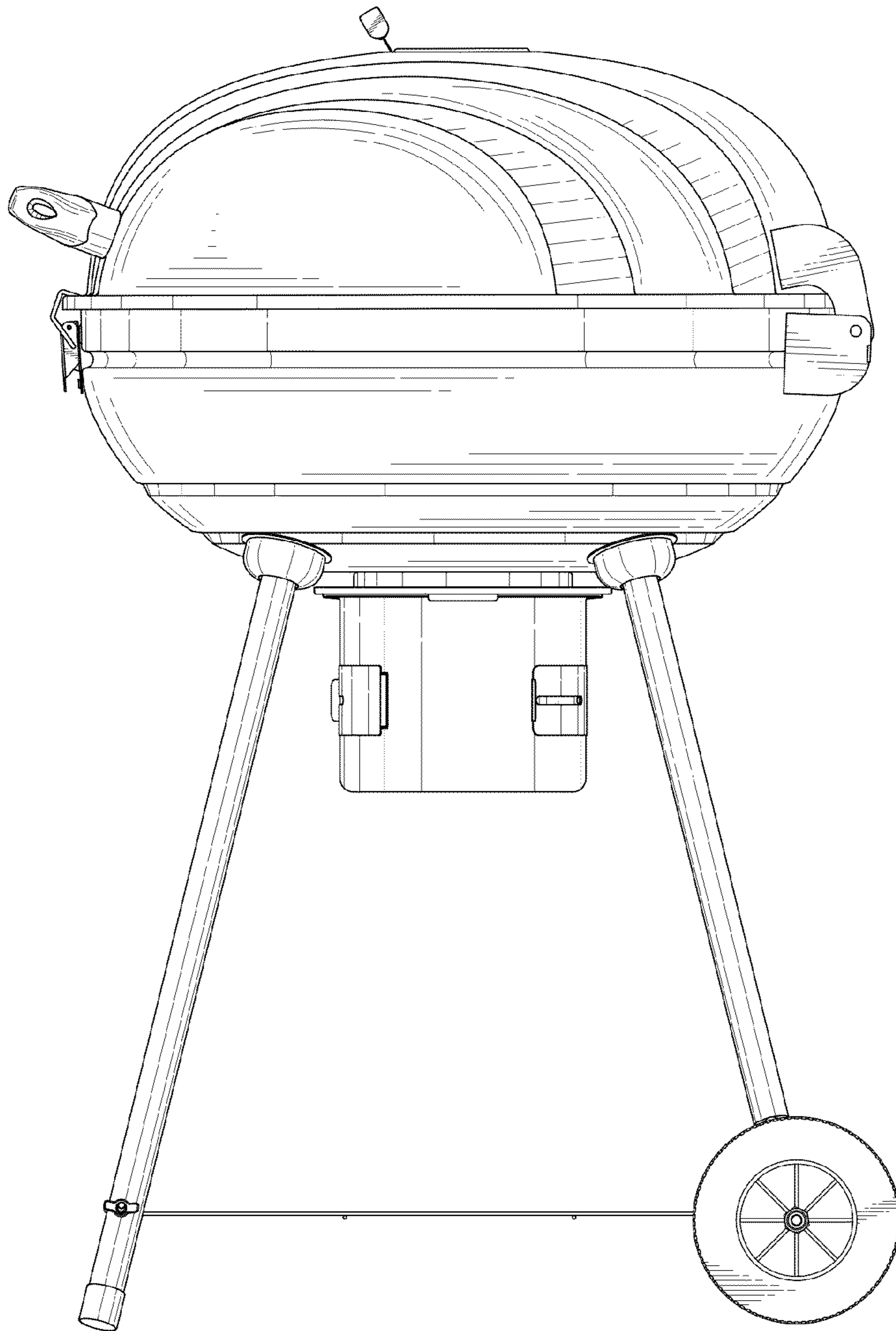


FIG. 5

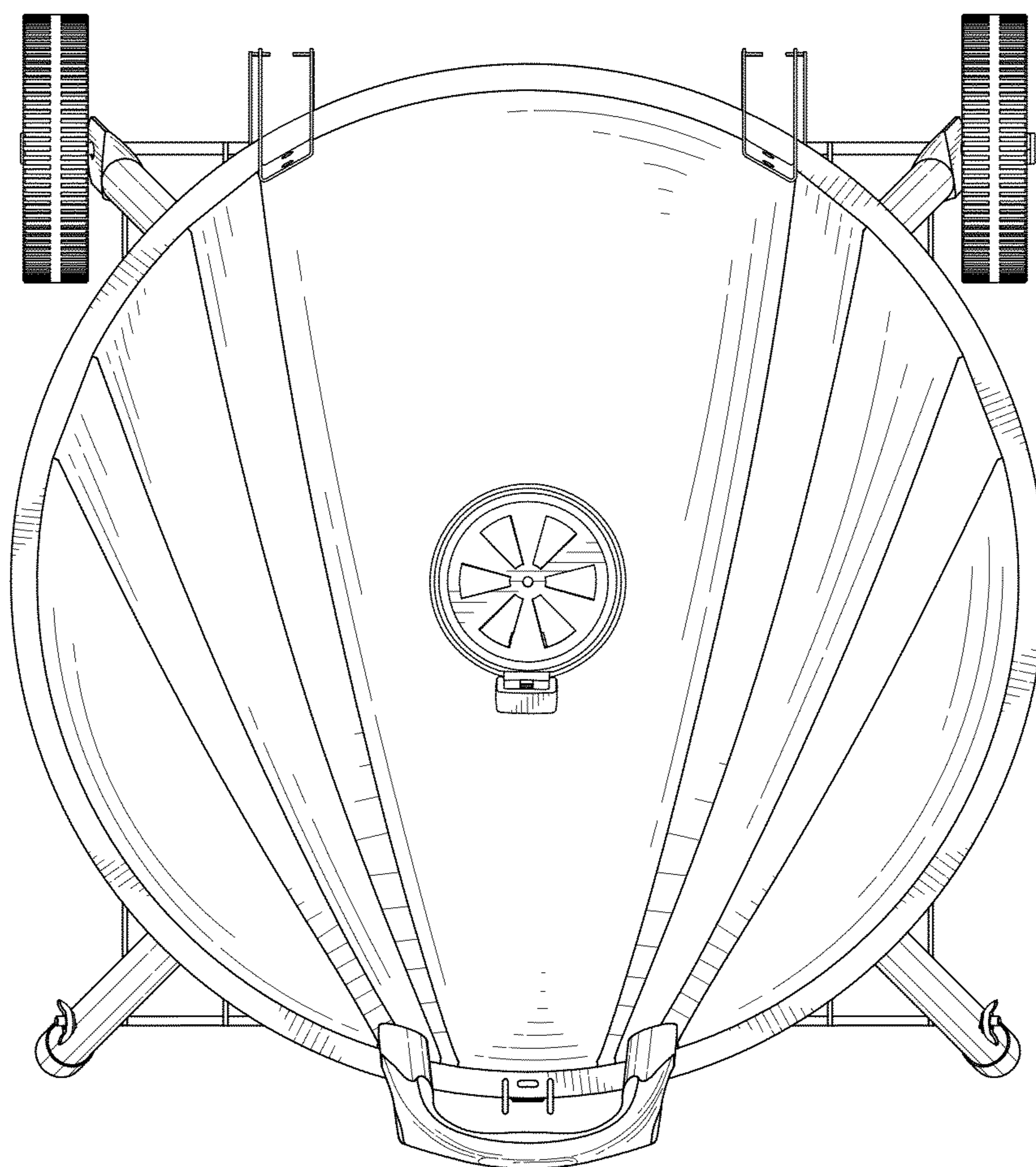


FIG. 6

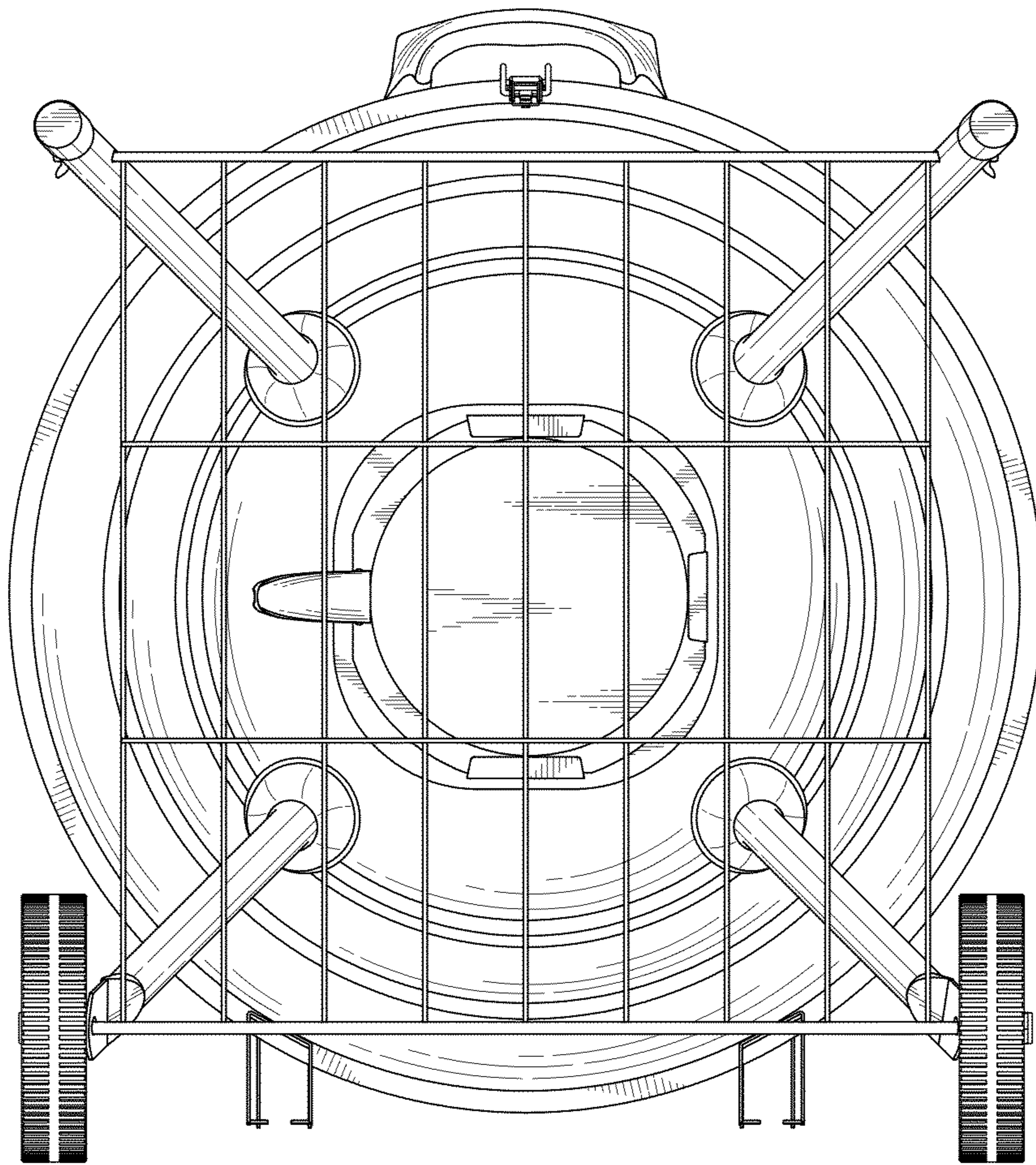


FIG. 7