



US00D717093S

(12) **United States Design Patent**
Chang

(10) **Patent No.:** **US D717,093 S**

(45) **Date of Patent:** **** Nov. 11, 2014**

(54) **BARBECUE STOVE**

(71) Applicant: **Jason Chang**, Taichung (TW)

(72) Inventor: **Jason Chang**, Taichung (TW)

(73) Assignee: **Primaplus Industrial Co., Ltd.**,
Taichung (TW)

(**) Term: **14 Years**

(21) Appl. No.: **29/456,896**

(22) Filed: **Jun. 5, 2013**

(51) **LOC (10) Cl.** **07-02**

(52) **U.S. Cl.**
USPC **D7/334**

(58) **Field of Classification Search**

CPC ... A47J 37/07; A47J 37/0704; A47J 37/0709;
A47J 37/0713; A47J 37/0718; A47J 37/0727;
A47J 37/0731; A47J 37/0763; A47J 37/0772;
A47J 36/26; F24B 1/182; F24B 1/202; F24B
3/00; F24B 13/00; F24B 1/205; F24B 1/207;
F24B 1/22; F24C 3/085; F24C 3/14; F24C
5/00; F24C 5/20; F24C 15/08; F24C 15/10;
F24C 15/18

USPC D7/332, 334–337, 402–405

See application file for complete search history.

(56) **References Cited**

U.S. PATENT DOCUMENTS

D236,247 S *	8/1975	Michel	D7/335
D284,443 S *	7/1986	Parlour	D7/334
D438,750 S *	3/2001	Mashburn et al.	D7/335
D468,150 S *	1/2003	Schroeter et al.	D7/335
D477,176 S *	7/2003	Wang	D7/336
D520,802 S *	5/2006	McLemore et al.	D7/335
D560,954 S *	2/2008	Pai	D7/335
D608,135 S *	1/2010	Siow et al.	D7/335
2010/0252020 A1 *	10/2010	Siow	126/25 R
2013/0213242 A1 *	8/2013	Shippy	99/445
2013/0269675 A1 *	10/2013	DeMars	126/25 B

* cited by examiner

Primary Examiner — Ruth McInroy

(74) *Attorney, Agent, or Firm* — Alan Kamrath; Kamrath IP Lawfirm, PA

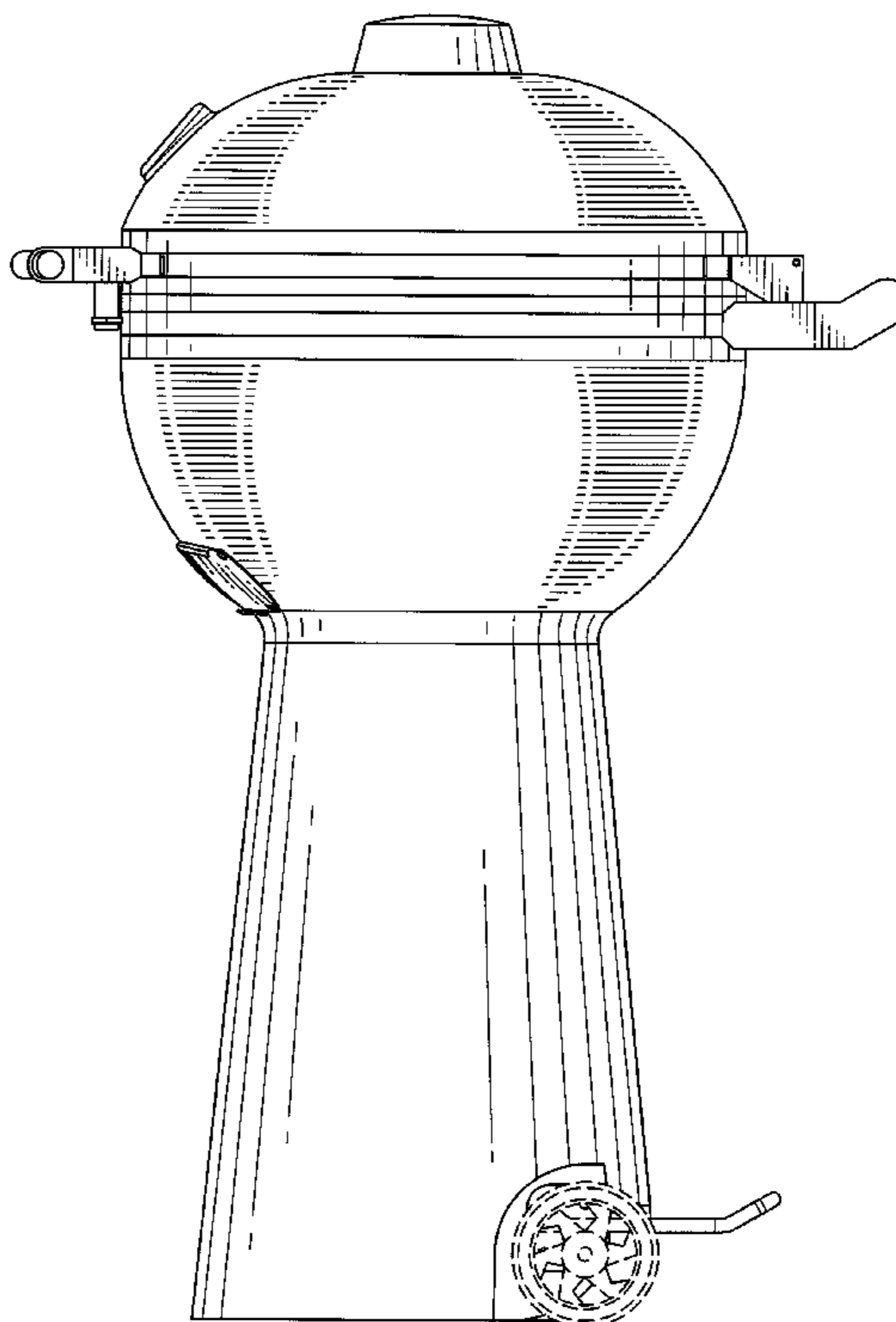
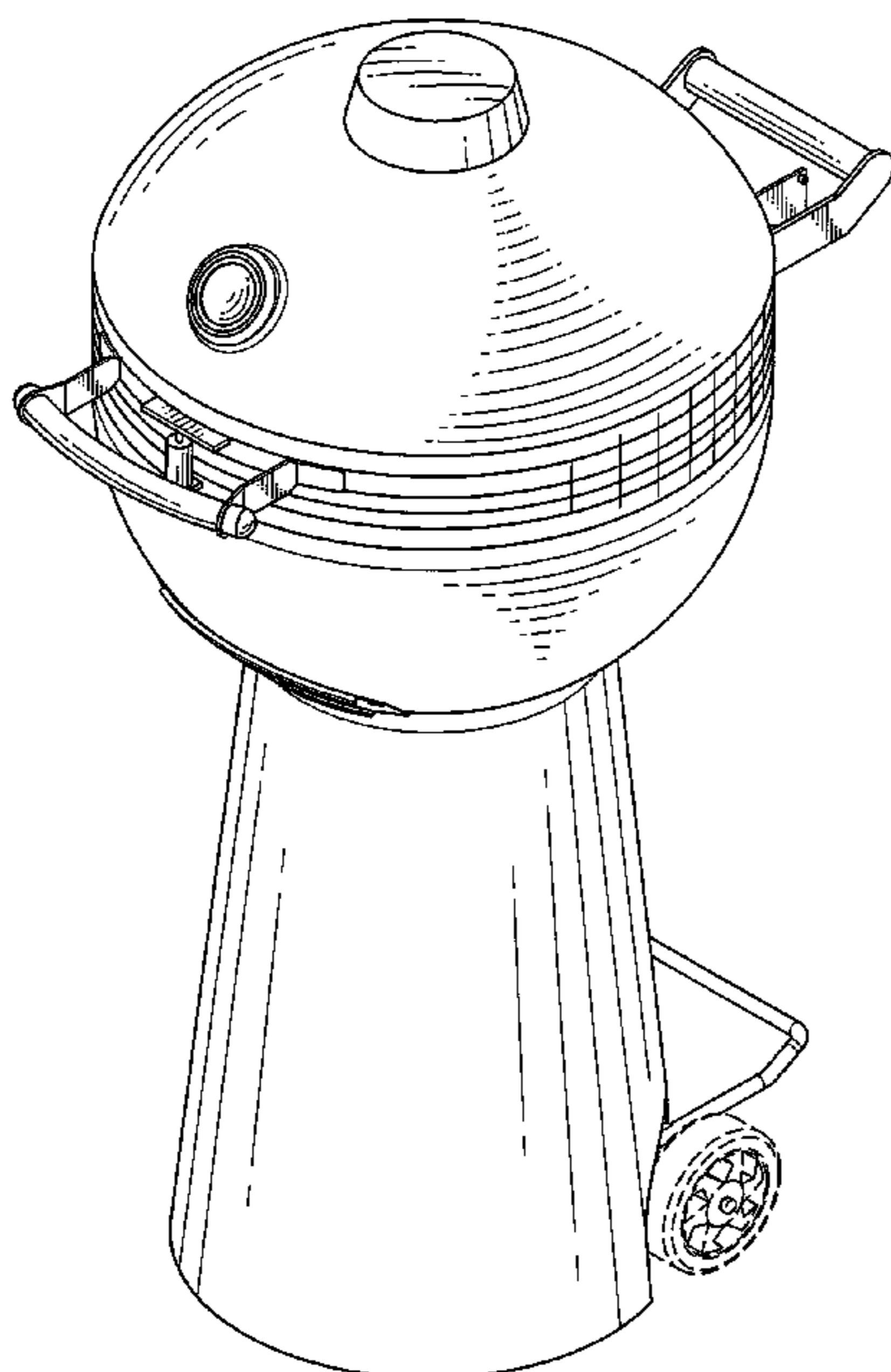
(57) **CLAIM**

The ornamental design for a barbecue stove, as shown and described.

DESCRIPTION

FIG. 1 is a perspective view of a barbecue stove showing my design;
FIG. 2 is a front elevational view thereof;
FIG. 3 is a rear elevational view thereof;
FIG. 4 is a left side elevational view thereof;
FIG. 5 is a right side elevational view thereof;
FIG. 6 is a top plan view thereof; and,
FIG. 7 is a bottom plan view thereof.
The details shown in broken lines are for illustrative purposes only and form no part of the claimed design.

1 Claim, 7 Drawing Sheets



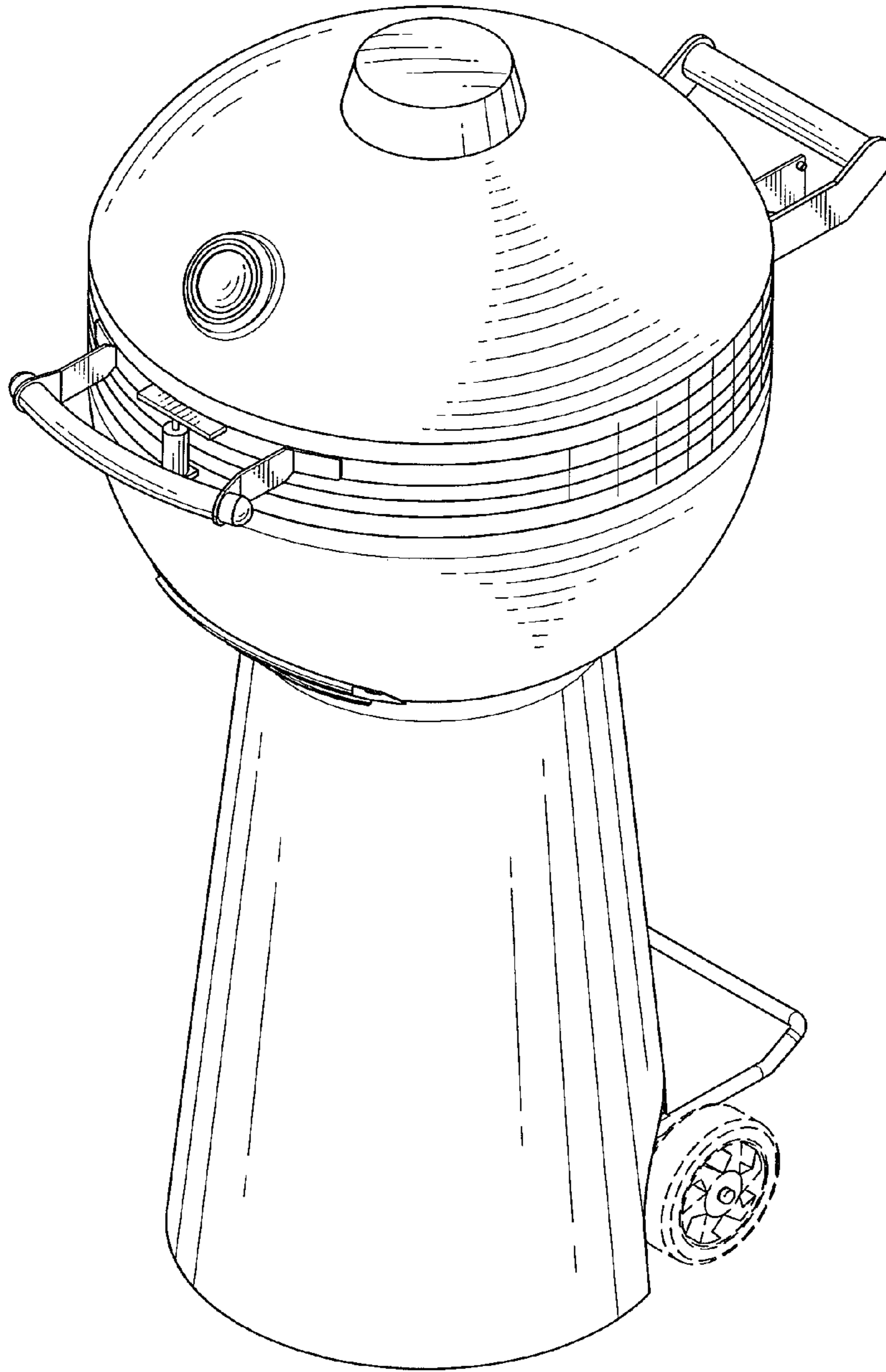


FIG. 1

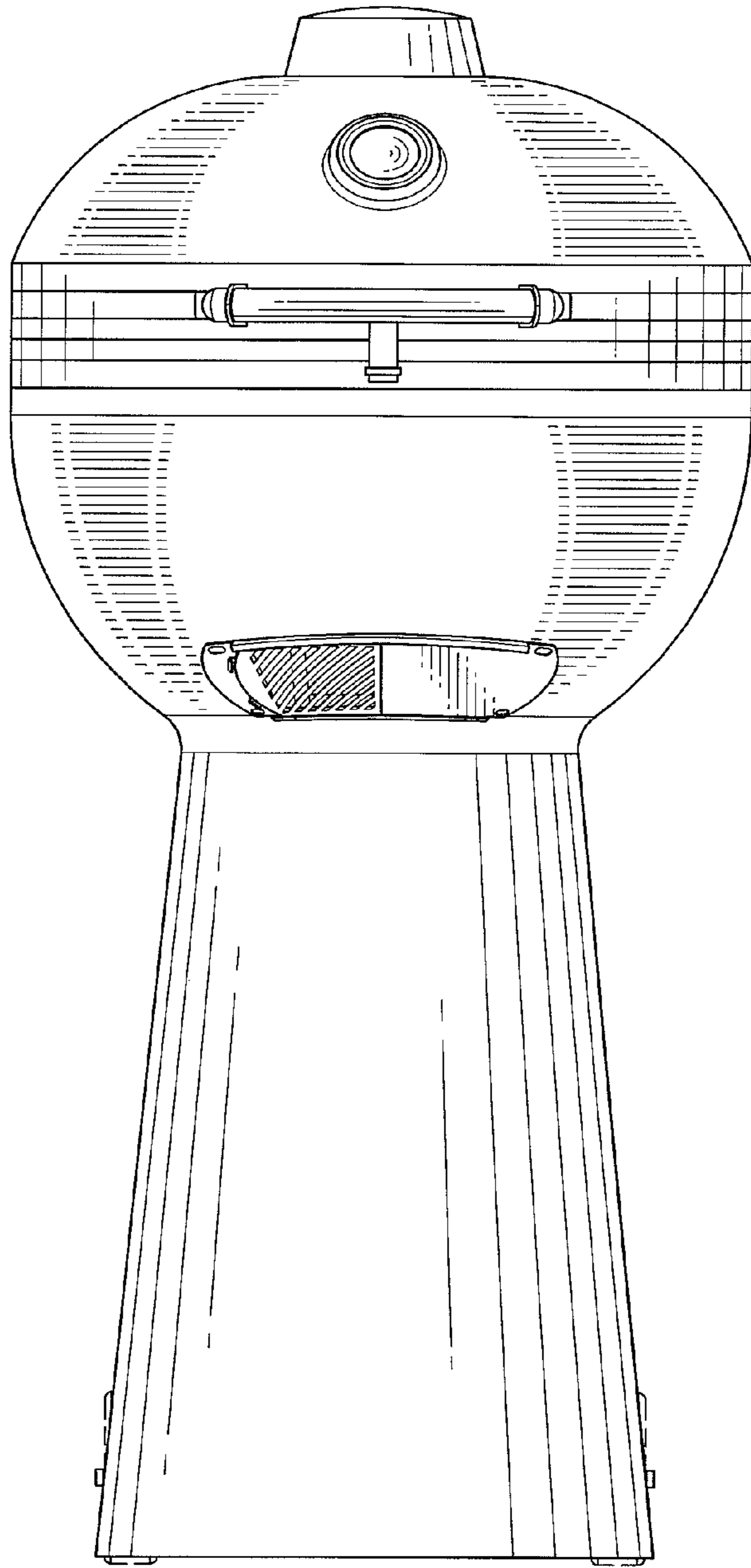


FIG. 2

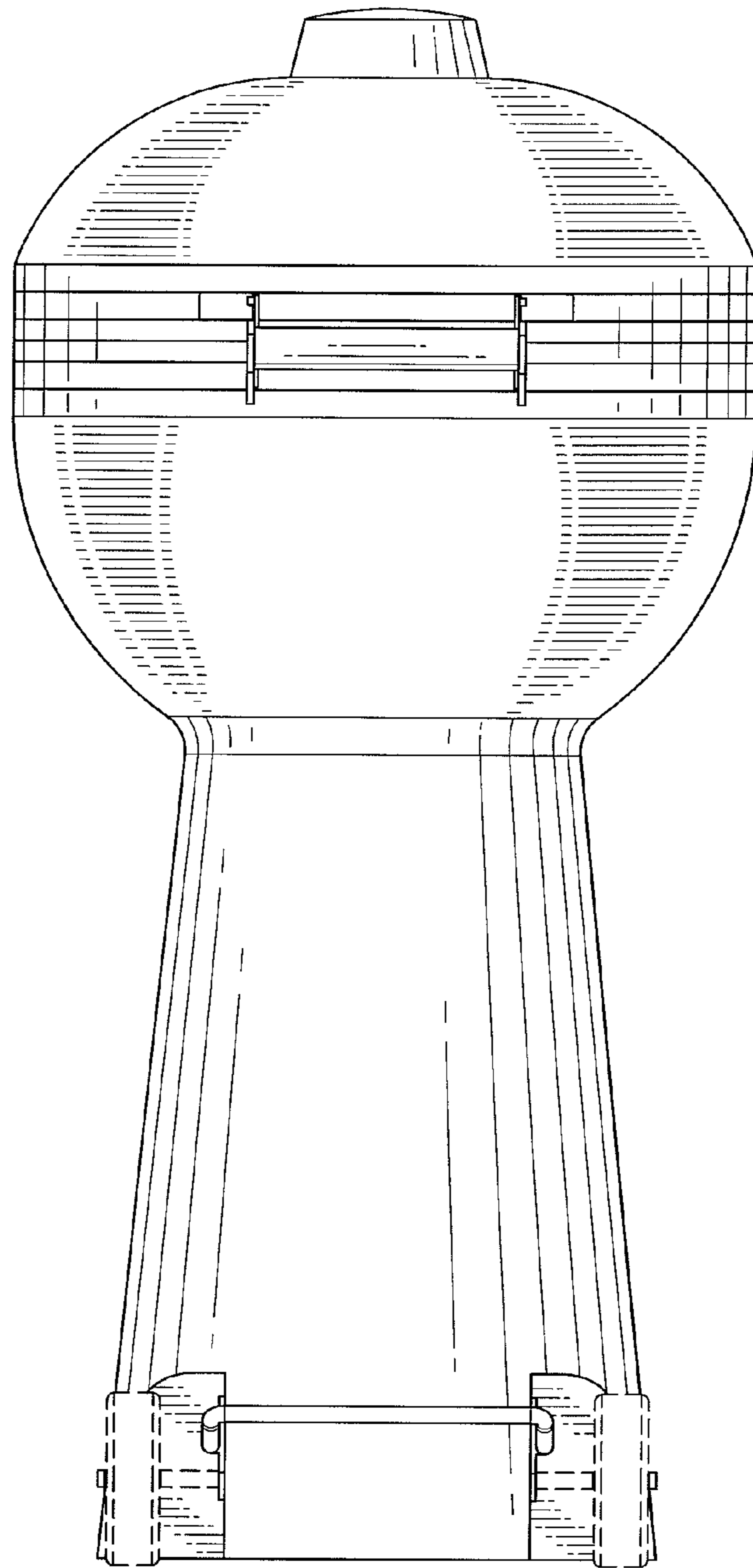


FIG. 3

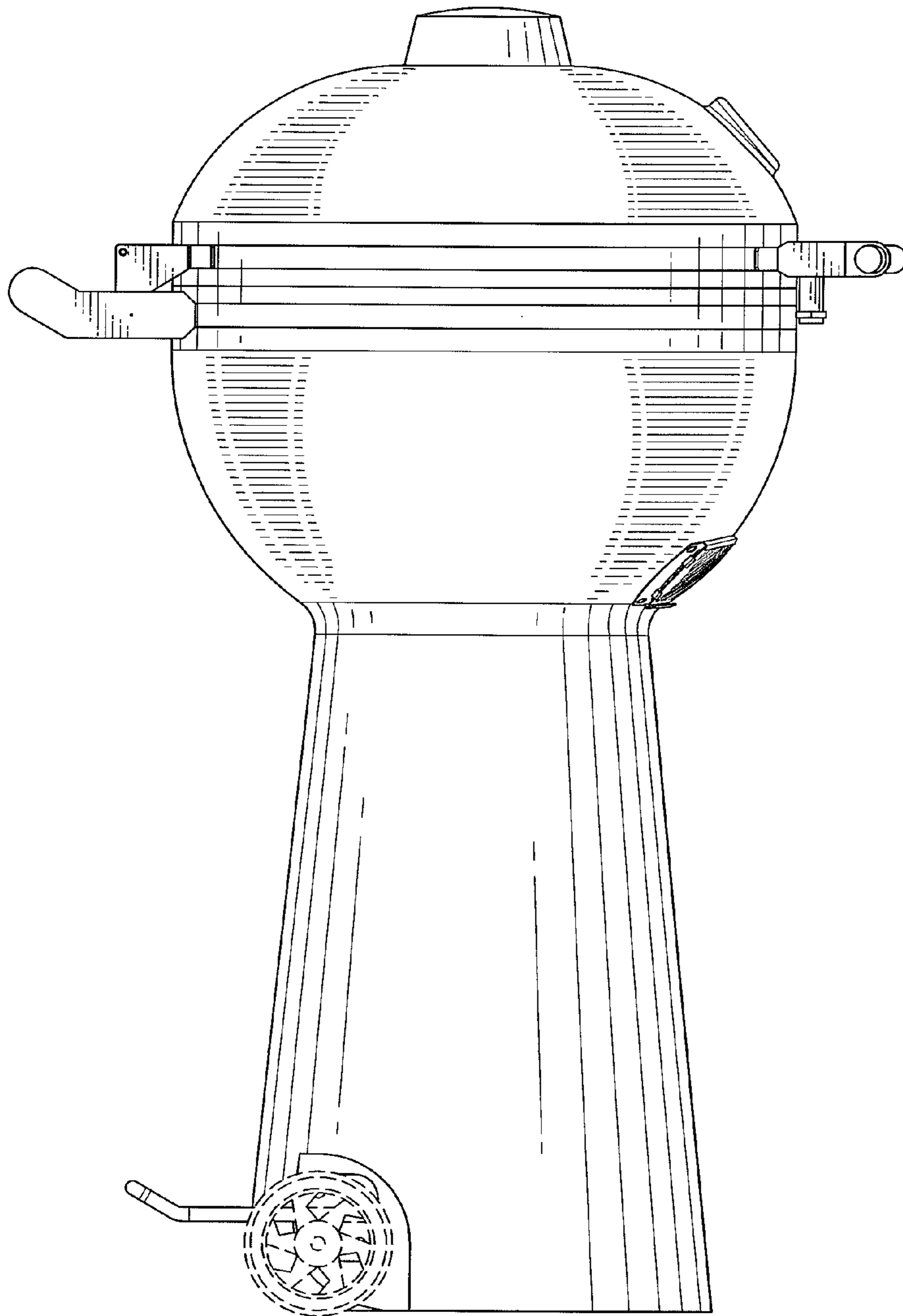


FIG. 4

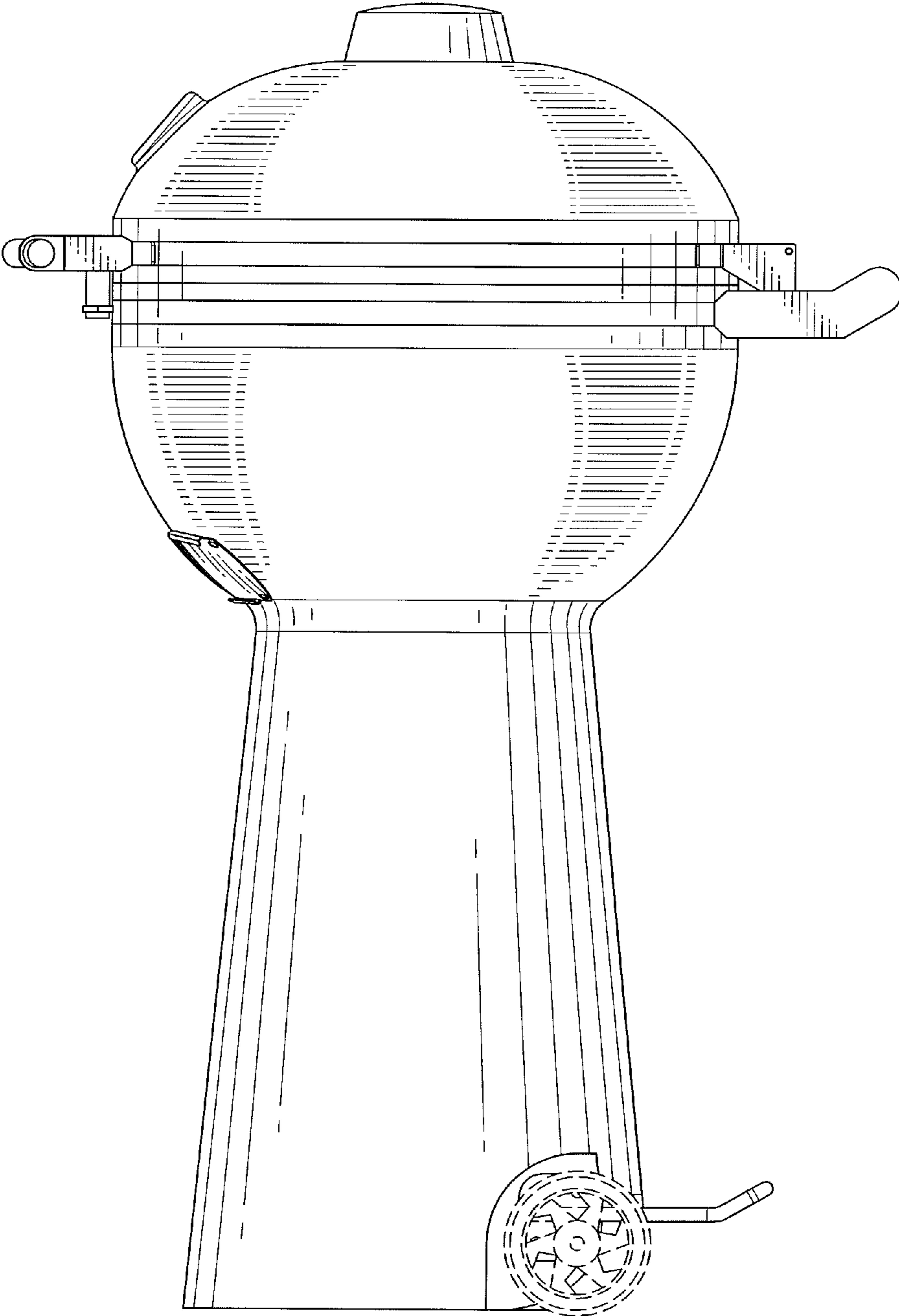


FIG. 5

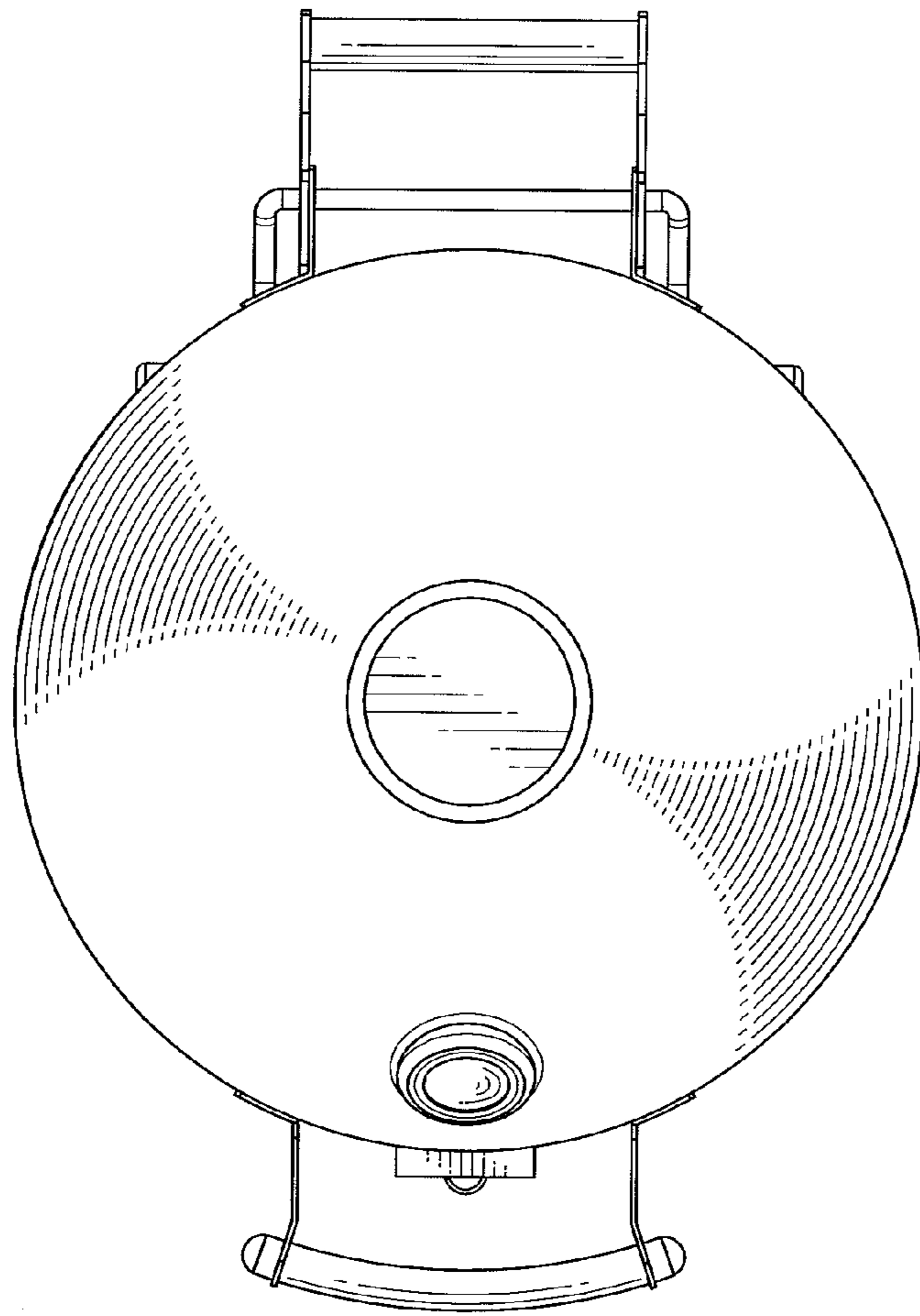


FIG. 6

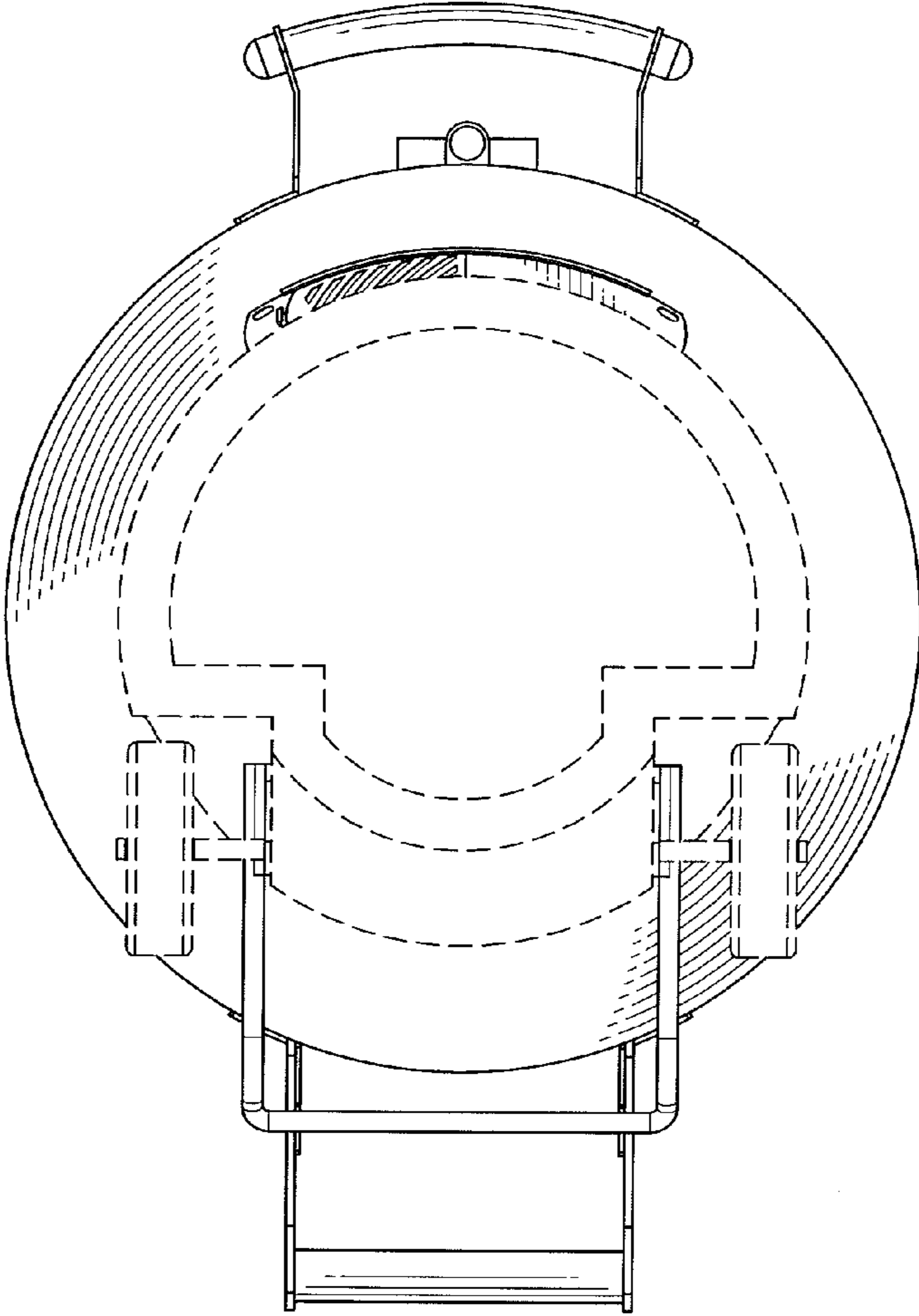


FIG.7