



US00D717092S

(12) **United States Design Patent**
Kotani

(10) **Patent No.:** **US D717,092 S**

(45) **Date of Patent:** **** Nov. 11, 2014**

(54) **VACUUM FLASK**

(71) Applicant: **Zojirushi Corporation**, Osaka (JP)

(72) Inventor: **Keito Kotani**, Hyogo (JP)

(73) Assignee: **Zojirushi Corporation** (JP)

(**) Term: **14 Years**

(21) Appl. No.: **29/453,889**

(22) Filed: **May 3, 2013**

(30) **Foreign Application Priority Data**

Nov. 14, 2012 (JP) 2012-027841

(51) **LOC (10) Cl.** **07-01**

(52) **U.S. Cl.**
USPC **D7/319; D7/317**

(58) **Field of Classification Search**
CPC A47G 19/14
USPC D7/312, 300, 316-319, 310, 309, 600;
222/465.1, 189.06, 571; 215/398, 235,
215/12.1; 220/713

See application file for complete search history.

(56) **References Cited**

U.S. PATENT DOCUMENTS

4,676,411	A *	6/1987	Simasaki	222/517
D364,990	S *	12/1995	Fonville	D7/317
5,653,362	A *	8/1997	Patel	222/156
D395,576	S *	6/1998	Huang	D7/319
D438,420	S *	3/2001	Rolfes et al.	D7/319
D454,468	S *	3/2002	Mano	D7/318
6,427,880	B1 *	8/2002	Hirose et al.	222/517
D486,032	S *	2/2004	Leung	D7/319

D495,917	S *	9/2004	Watanabe	D7/318
D500,626	S *	1/2005	Ranzoni	D7/317
D521,795	S *	5/2006	Imai	D7/318
D528,846	S *	9/2006	Tamura	D7/318
D587,957	S *	3/2009	Imai	D7/317
D602,304	S *	10/2009	Elissen	D7/318
7,735,698	B2 *	6/2010	Lin	222/472
D669,307	S *	10/2012	Makhanlall et al.	D7/397
D686,864	S *	7/2013	Poul et al.	D7/318

FOREIGN PATENT DOCUMENTS

JP	1116281	7/2001
JP	1193514	1/2004
JP	1259030	12/2005
JP	1261280	1/2006
JP	1350323	2/2009
JP	1384079	4/2010

* cited by examiner

Primary Examiner — Marianne Pandozzi

(74) *Attorney, Agent, or Firm* — SAIDMAN DesignLaw Group

(57) **CLAIM**

The ornamental design for a vacuum flask, as shown and described.

DESCRIPTION

FIG. 1 is a perspective view of vacuum flask showing my new design;

FIG. 2 is a front view thereof; opposite rear view being mirror image thereof;

FIG. 3 is a left view thereof;

FIG. 4 is a right view thereof;

FIG. 5 is a top view thereof;

FIG. 6 is a bottom view thereof; and,

FIG. 7 is an exploded perspective view thereof.

1 Claim, 7 Drawing Sheets

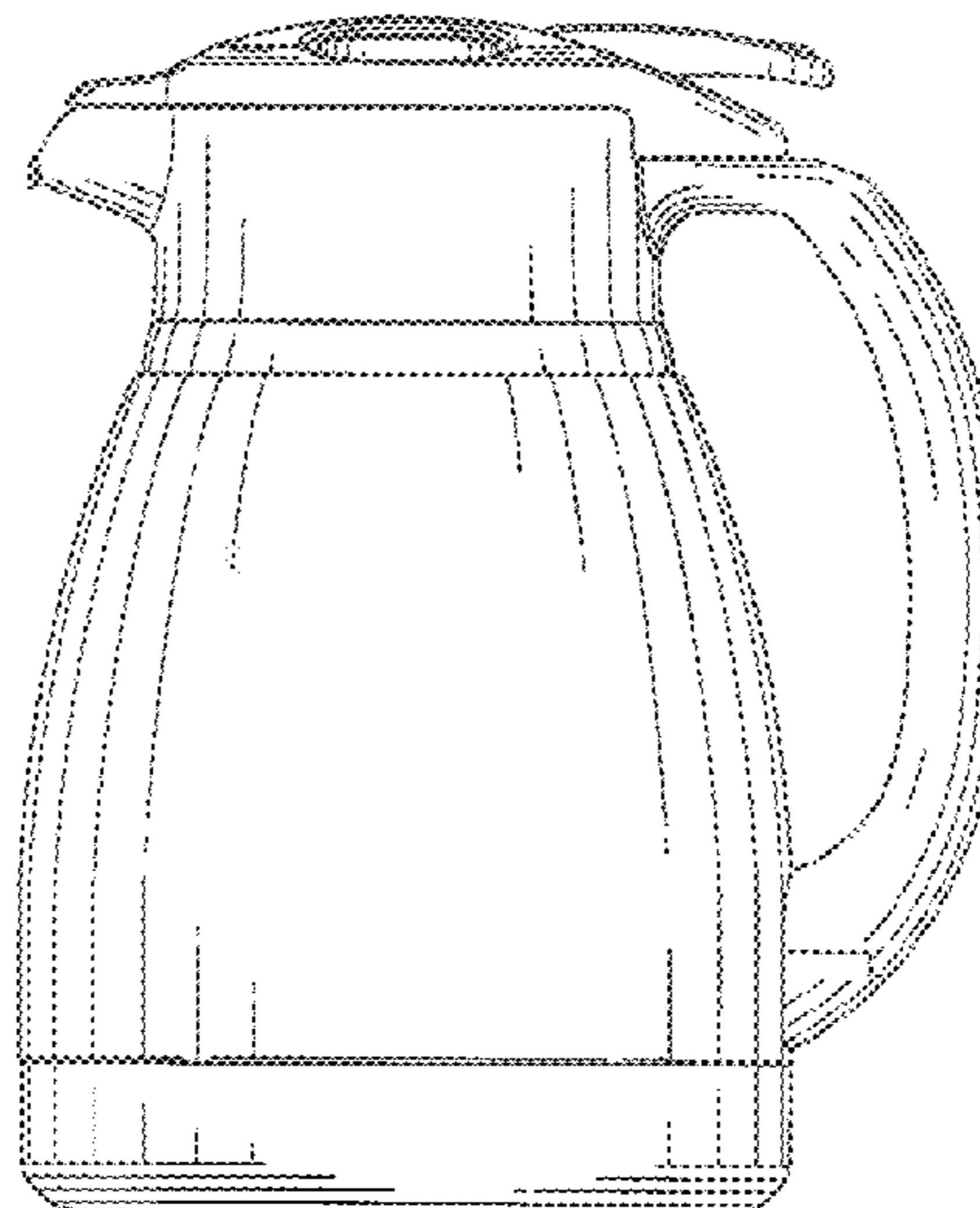
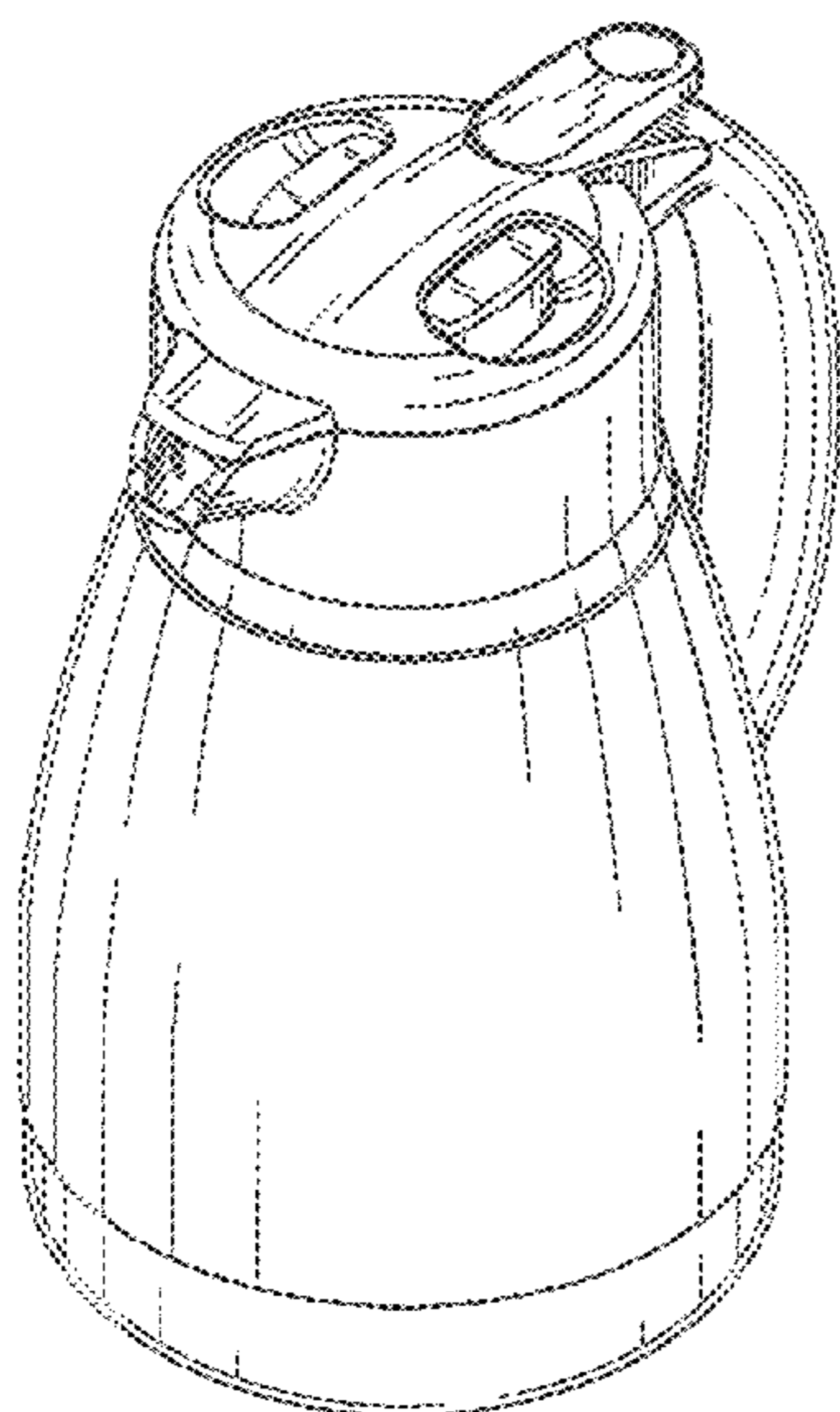


Fig. 1

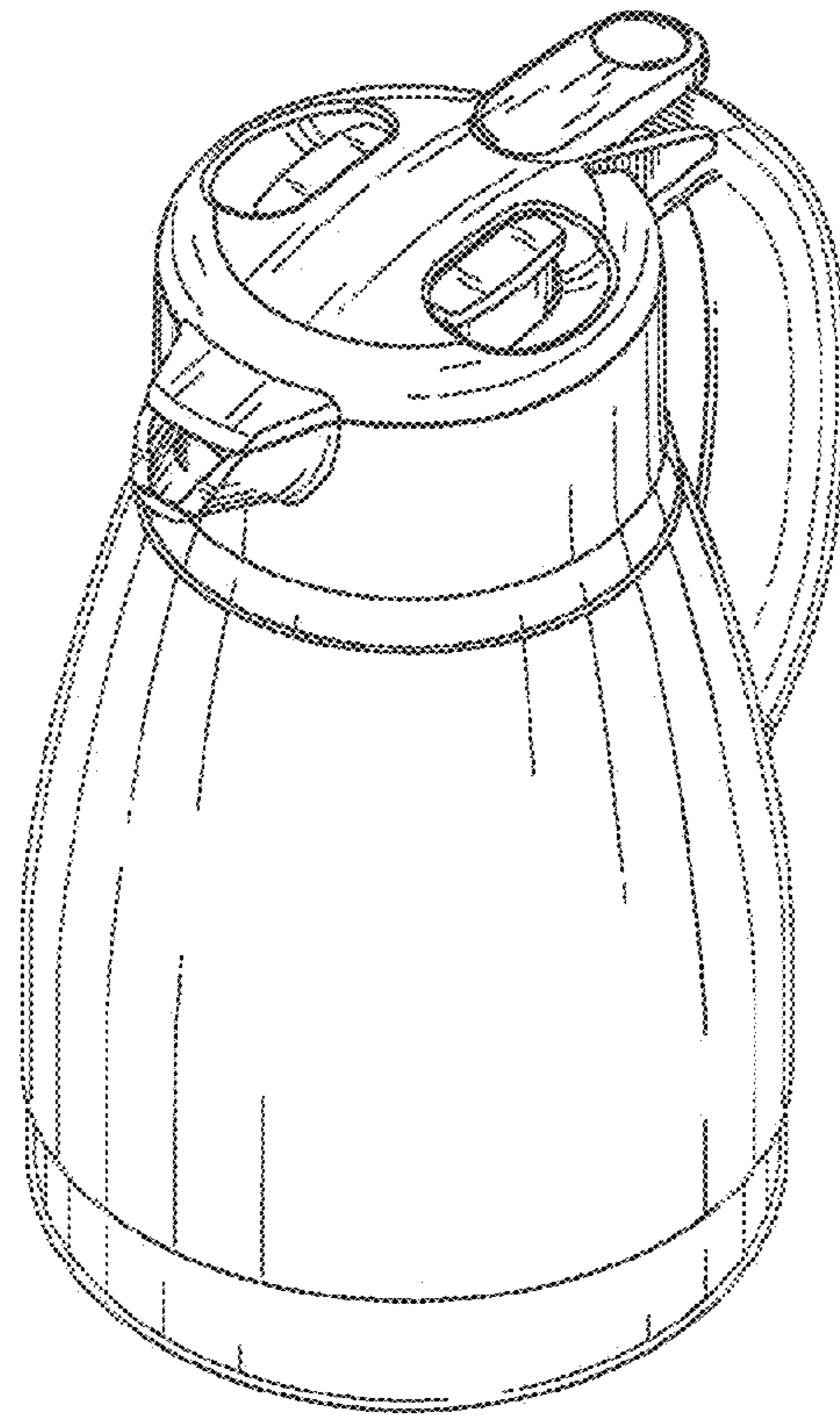


Fig. 2

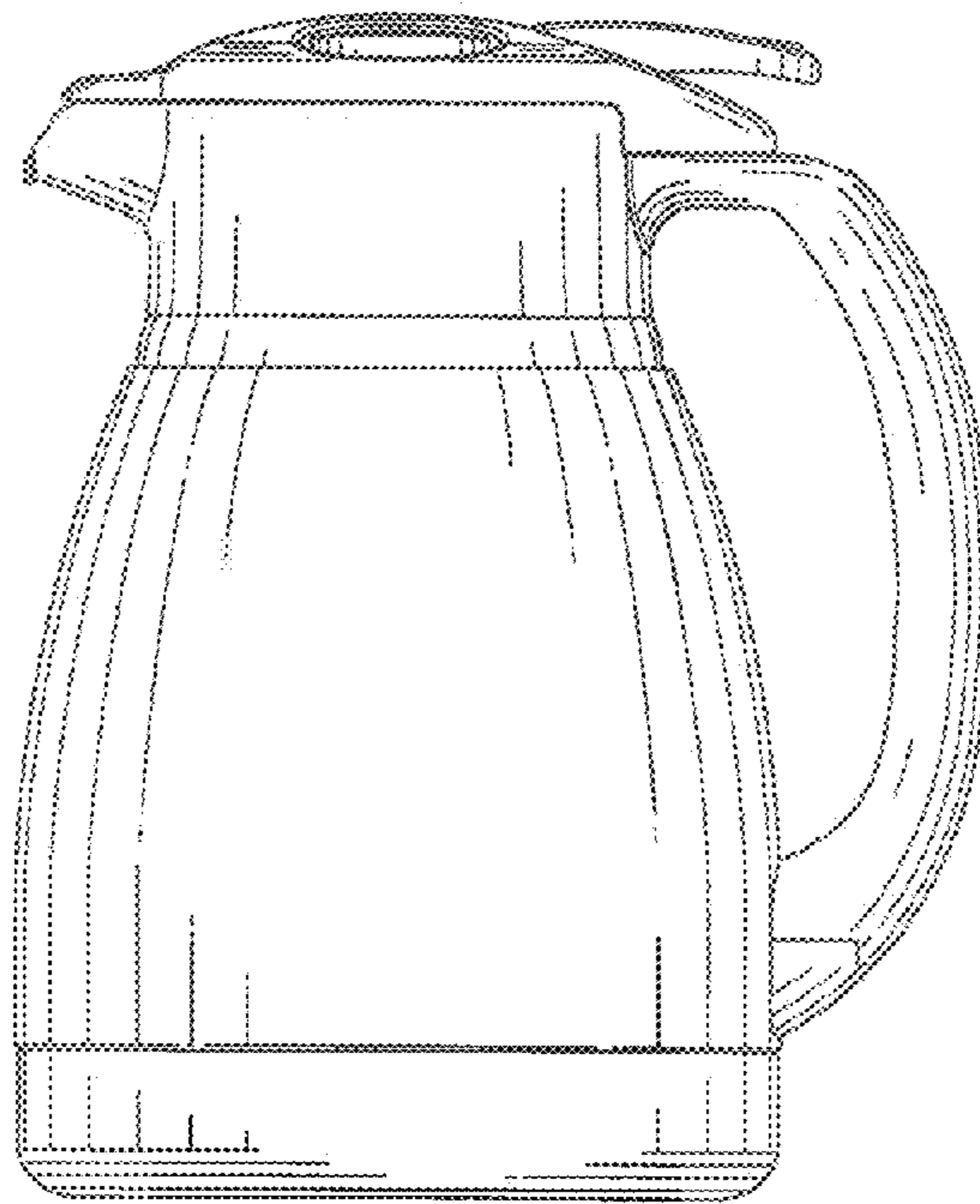


Fig. 3

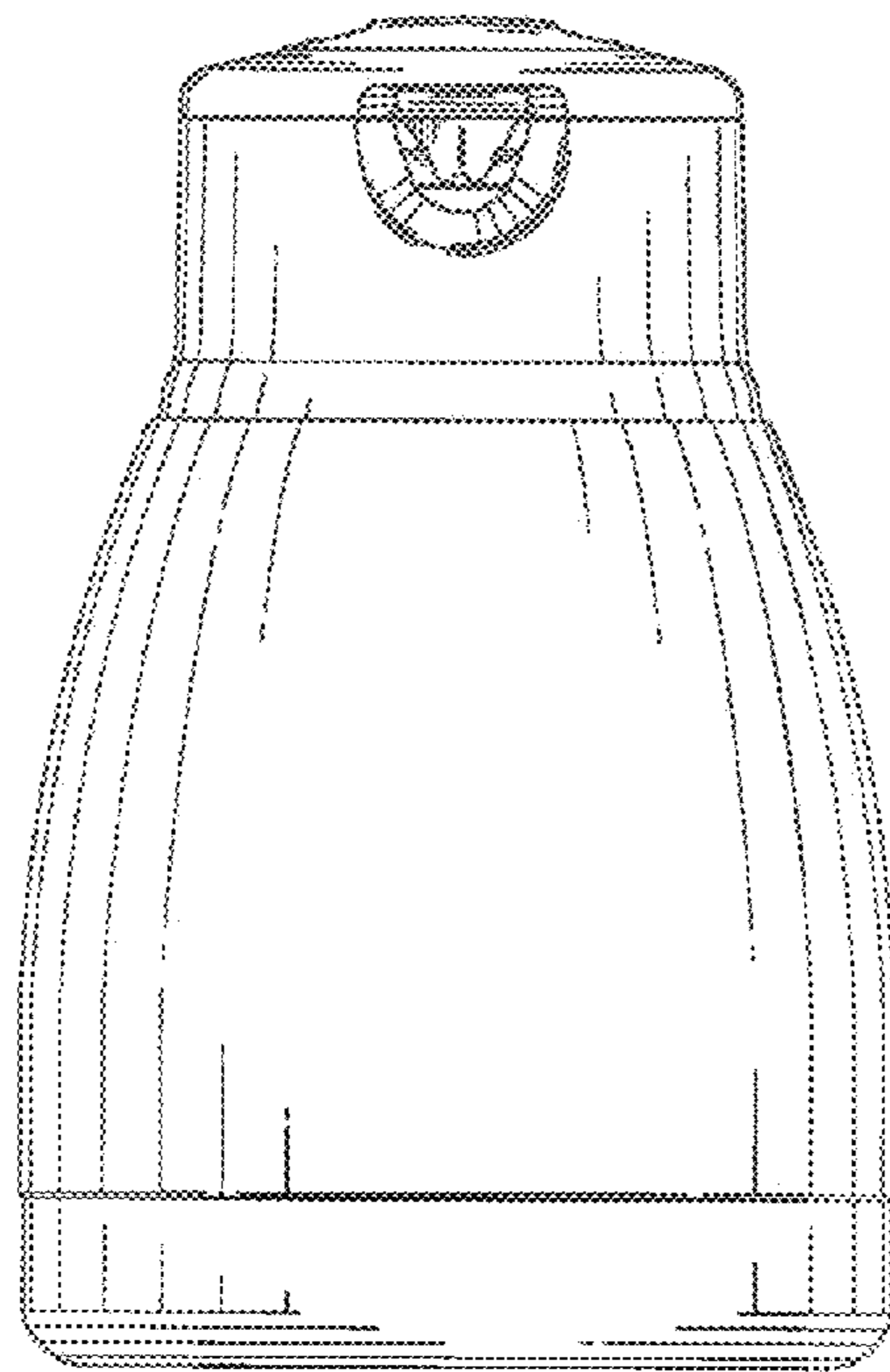


Fig. 4

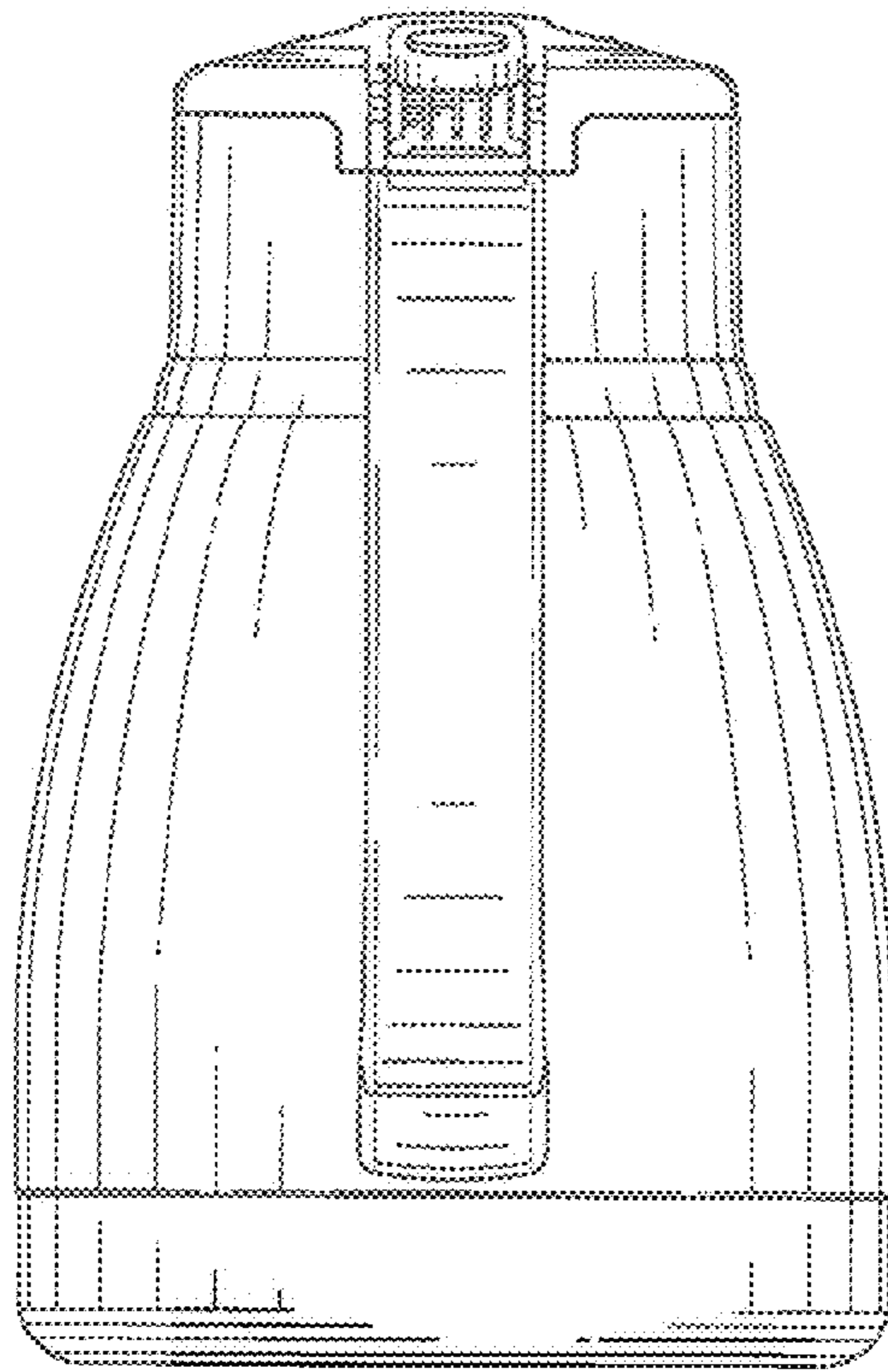


Fig. 5

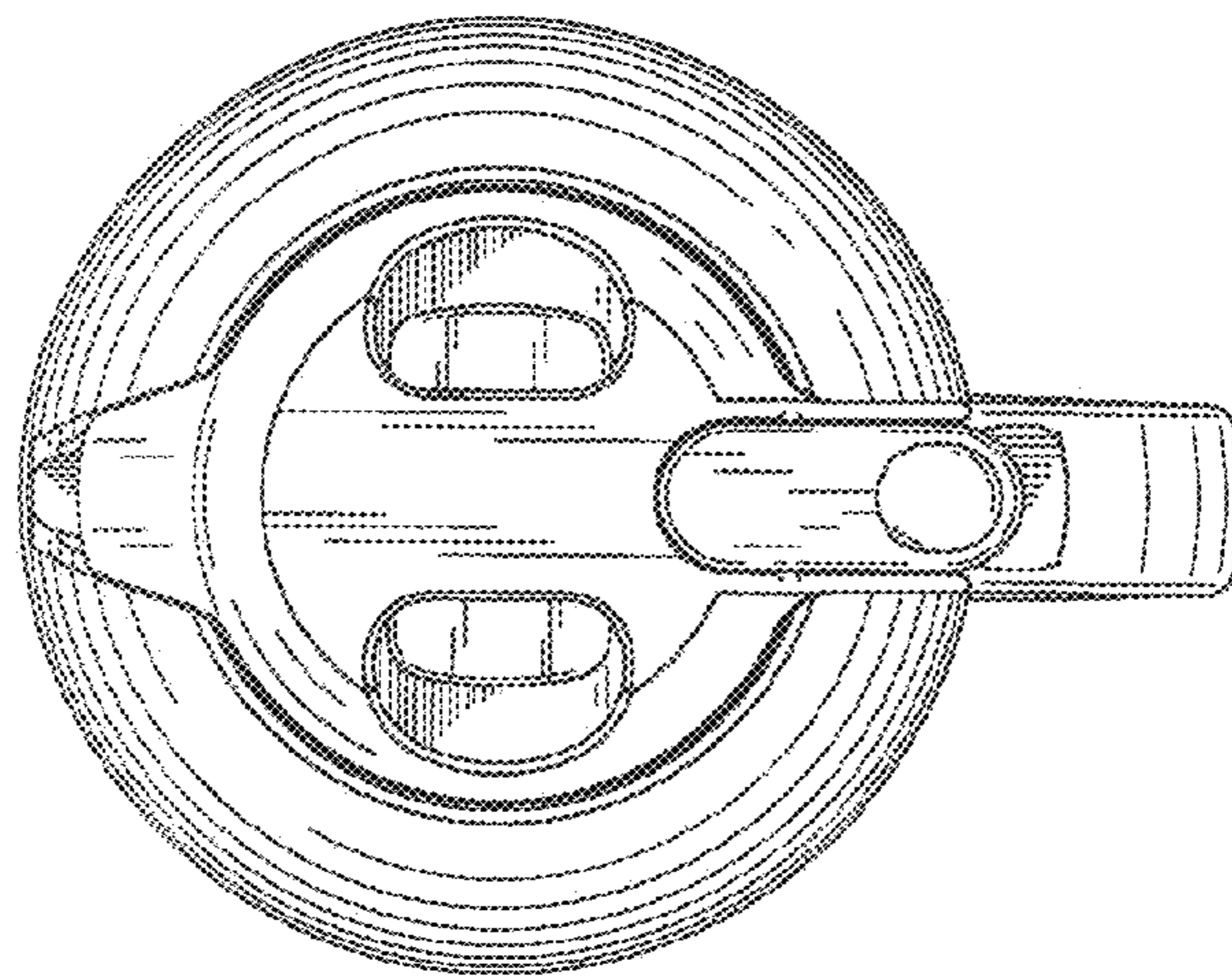


Fig. 6

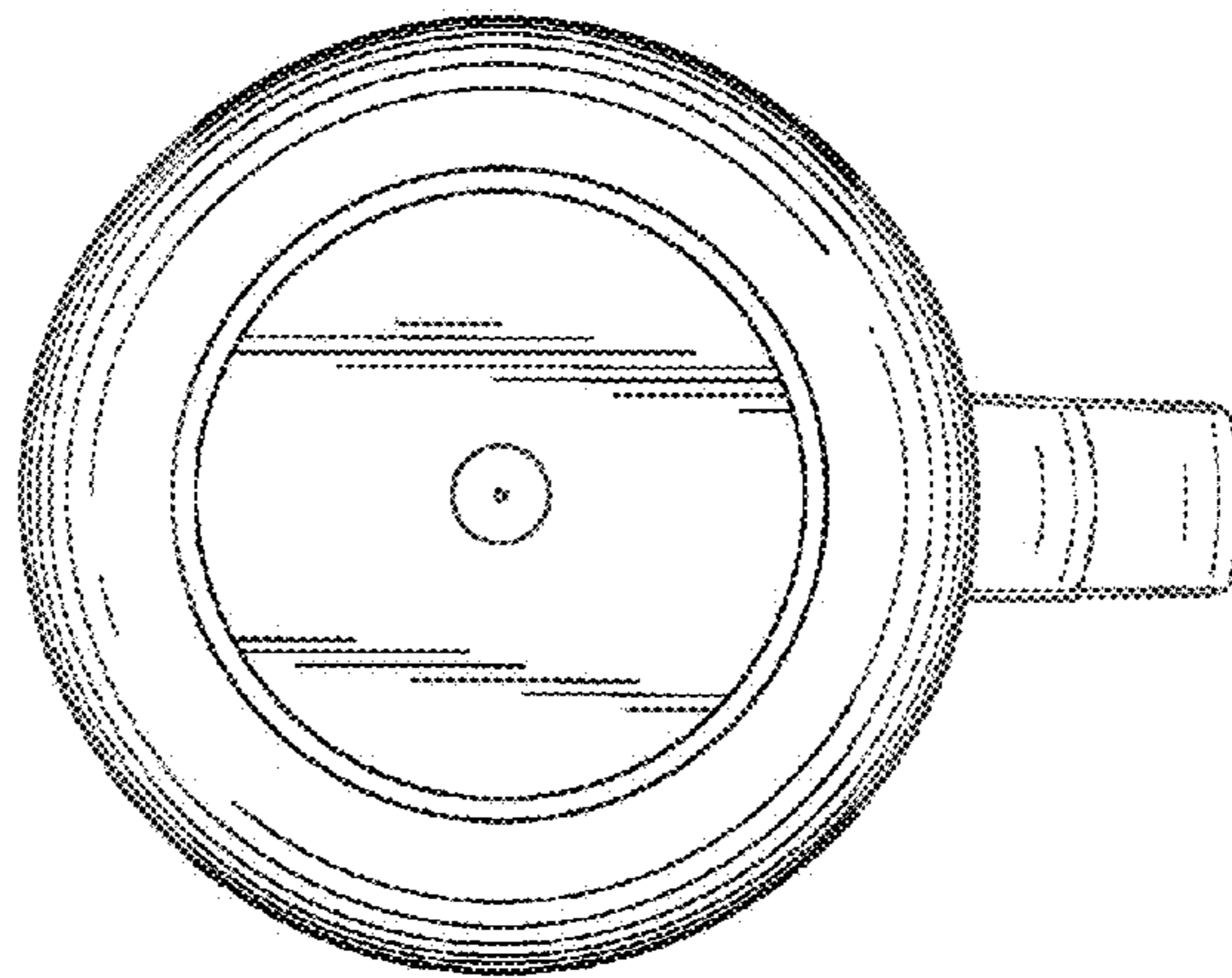


Fig. 7

