



US00D717091S

(12) **United States Design Patent**
Suzuki et al.

(10) **Patent No.:** **US D717,091 S**
(45) **Date of Patent:** **** Nov. 11, 2014**

(54) **COFFEE MAKER**
(71) Applicant: **Panasonic Corporation**, Osaka (JP)

D646,109 S * 10/2011 Zoppellari D7/309
D674,231 S * 1/2013 Wilder et al. D7/306
D675,054 S * 1/2013 Agostini et al. D7/309
D701,071 S * 3/2014 Buttler D7/306

(72) Inventors: **Tomohisa Suzuki**, Kyoto (JP); **Toshiaki Tsuruha**, Osaka (JP)

FOREIGN PATENT DOCUMENTS

(73) Assignee: **Panasonic Corporation**, Osaka (JP)

CN 301055903 11/2009
CN 302444223 5/2013
DE 402008000328-0002 3/2008
EM 001167522-0001 10/2009
EM 000944335-0002 3/2010

(**) Term: **14 Years**

* cited by examiner

(21) Appl. No.: **29/462,447**

(22) Filed: **Aug. 5, 2013**

Primary Examiner — Marianne Pandozzi

(51) **LOC (10) Cl.** **07-01**

(74) *Attorney, Agent, or Firm* — Panasonic Patent Center

(52) **U.S. Cl.**
USPC **D7/309; D7/311; D7/308**

(57) **CLAIM**

(58) **Field of Classification Search**
CPC B67D 3/00
USPC D7/306-311, 300, 397, 305; 99/293,
99/323.1, 279, 289 R, 291; D6/544;
222/105, 185.1

We claim the ornamental design for a coffee maker, as shown and described.

See application file for complete search history.

DESCRIPTION

(56) **References Cited**

FIG. 1 is a front perspective view thereof of a coffee maker of the present invention;
FIG. 2 is a front view thereof;
FIG. 3 is a rear view thereof;
FIG. 4 is a right side view thereof;
FIG. 5 is a left side view thereof;
FIG. 6 is a top view thereof;
FIG. 7 is a bottom view thereof; and,
FIG. 8 is a front perspective view thereof shown in an opened position.

U.S. PATENT DOCUMENTS

D523,279 S * 6/2006 Zemp D7/309
D587,511 S * 3/2009 Buttler D7/309
D595,991 S * 7/2009 Zimmerman D7/307
D611,753 S * 3/2010 Gammack et al. D7/306
D638,650 S * 5/2011 Galeazzi D7/309
D645,289 S * 9/2011 Lenzi D7/309

1 Claim, 8 Drawing Sheets

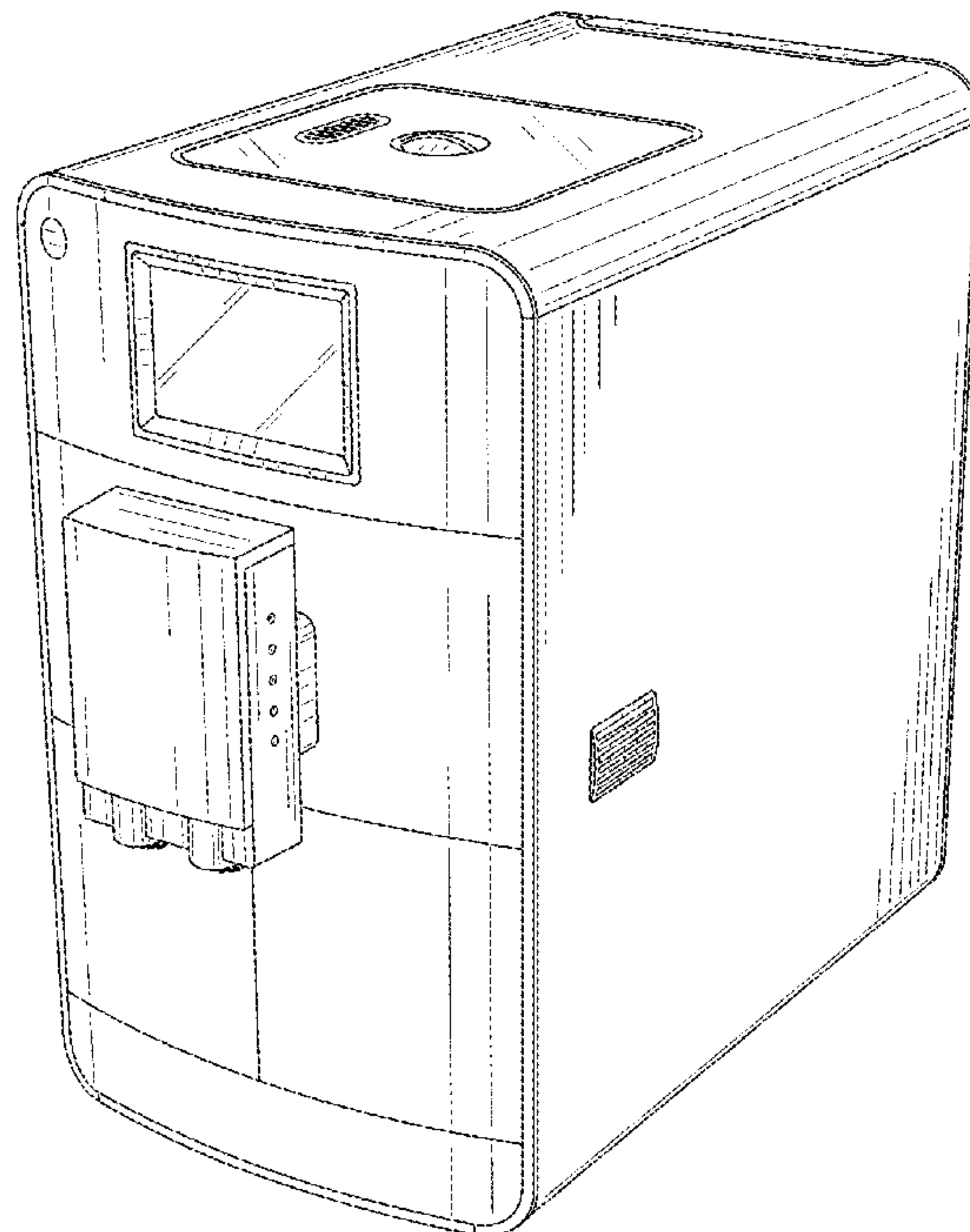


FIG. 1

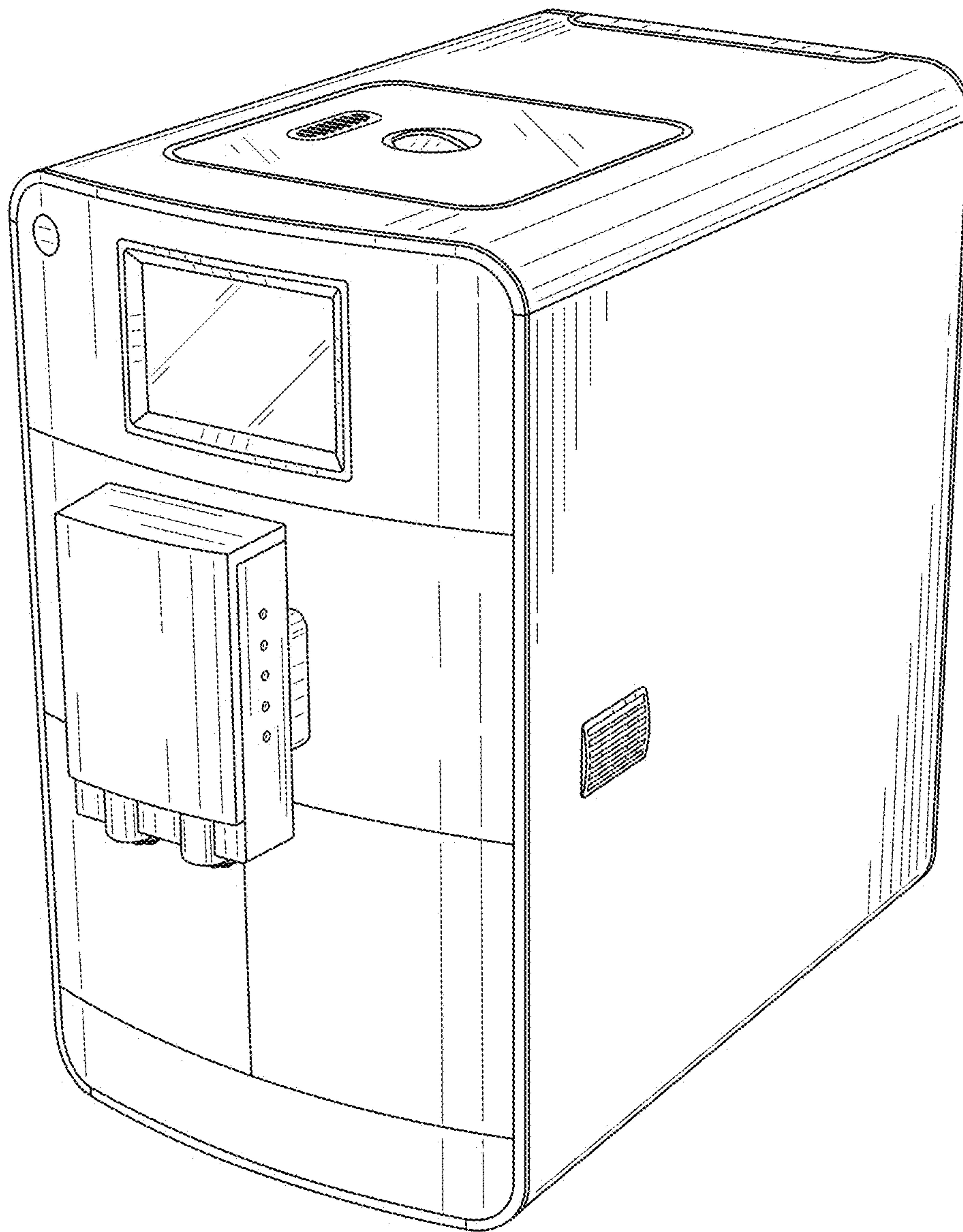


FIG. 2

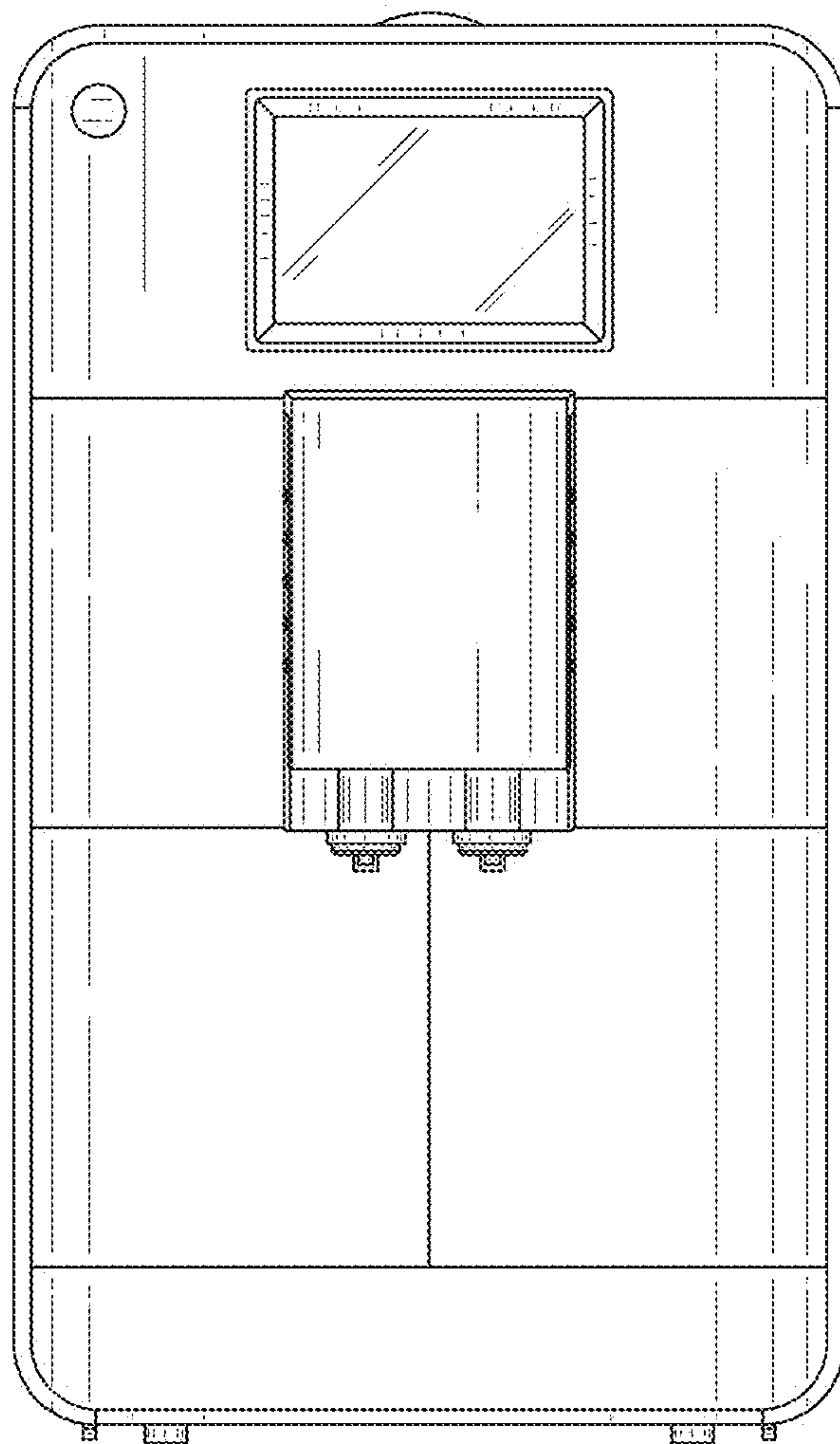


FIG. 3

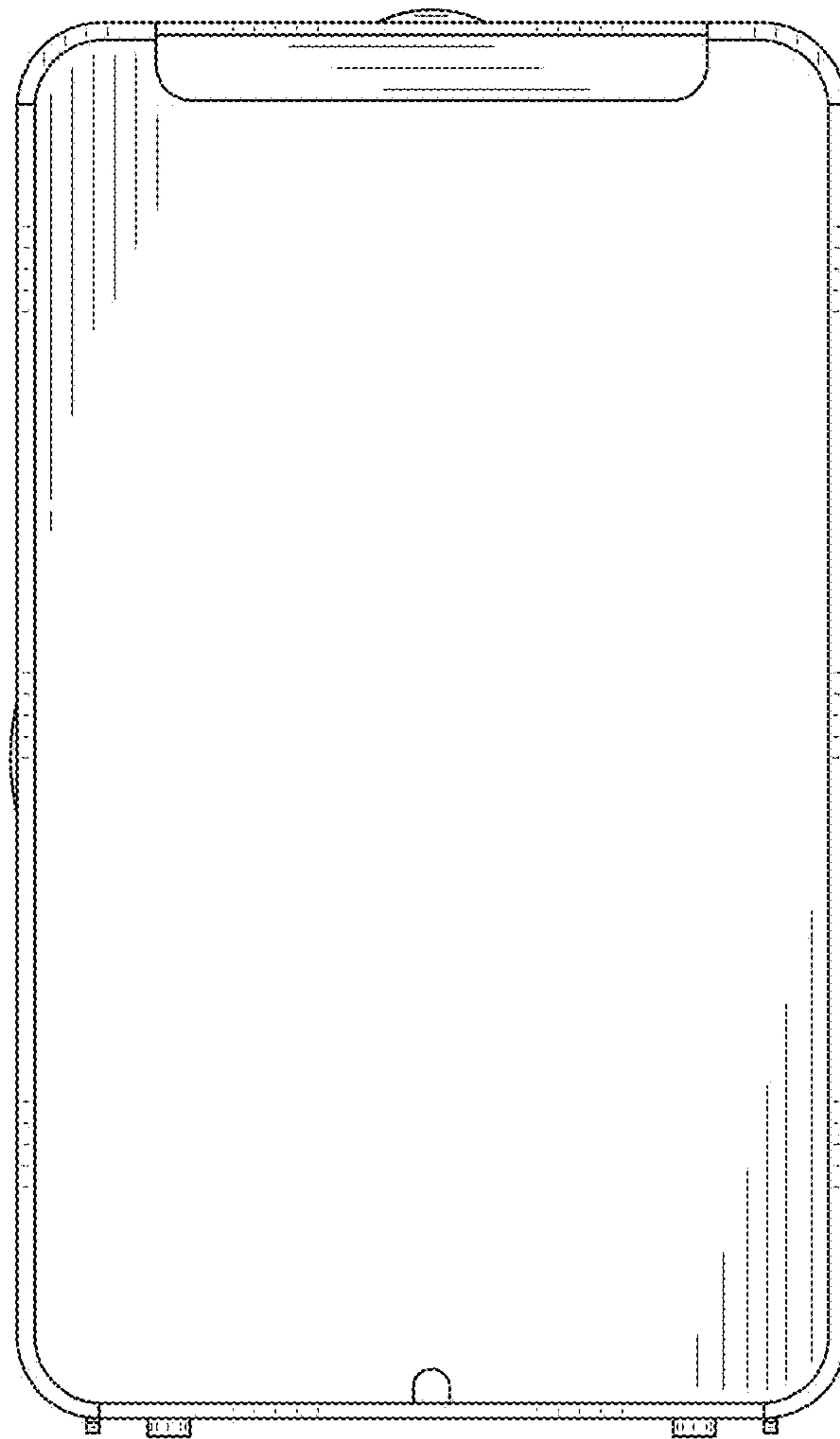


FIG. 4

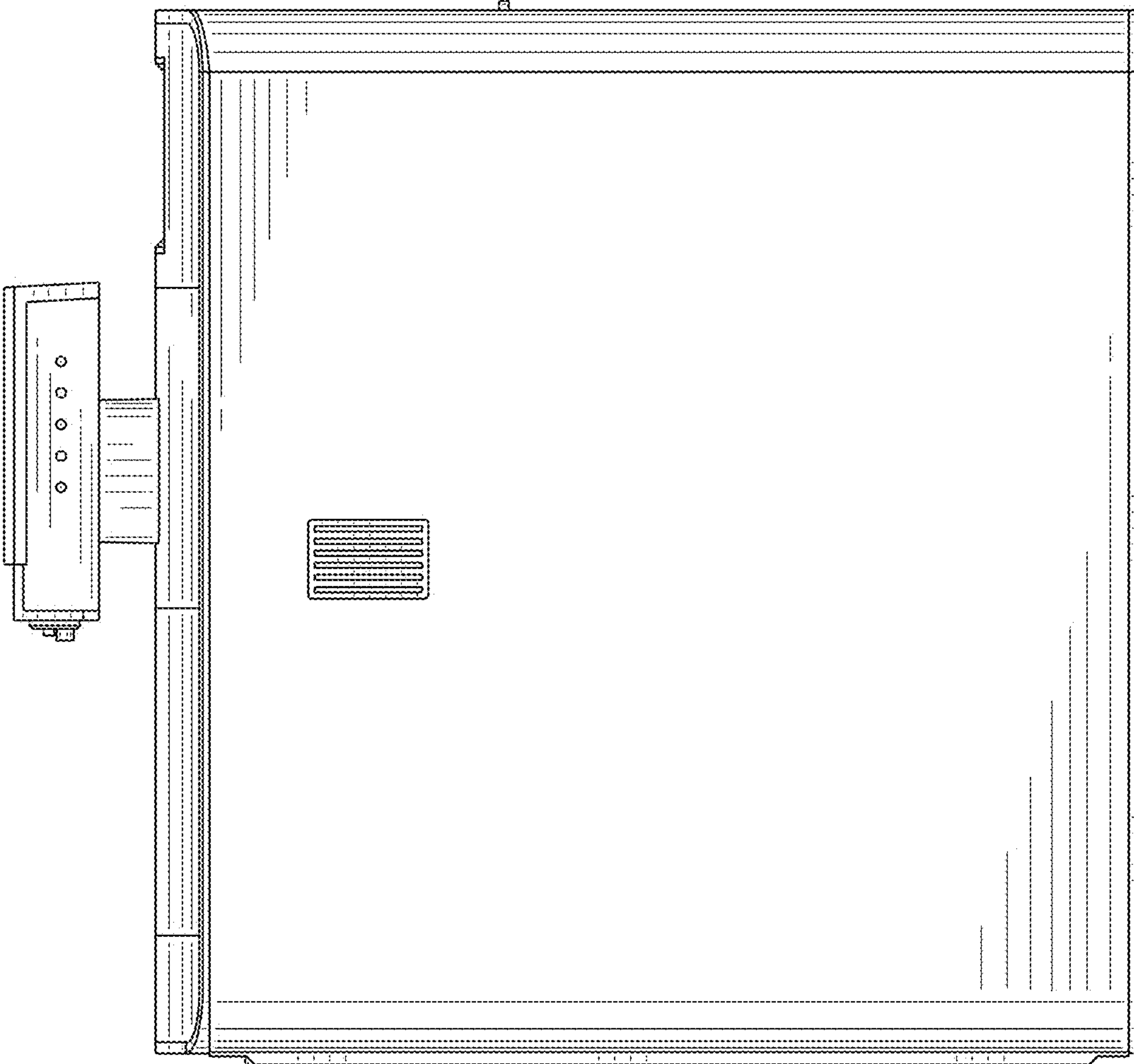


FIG. 5

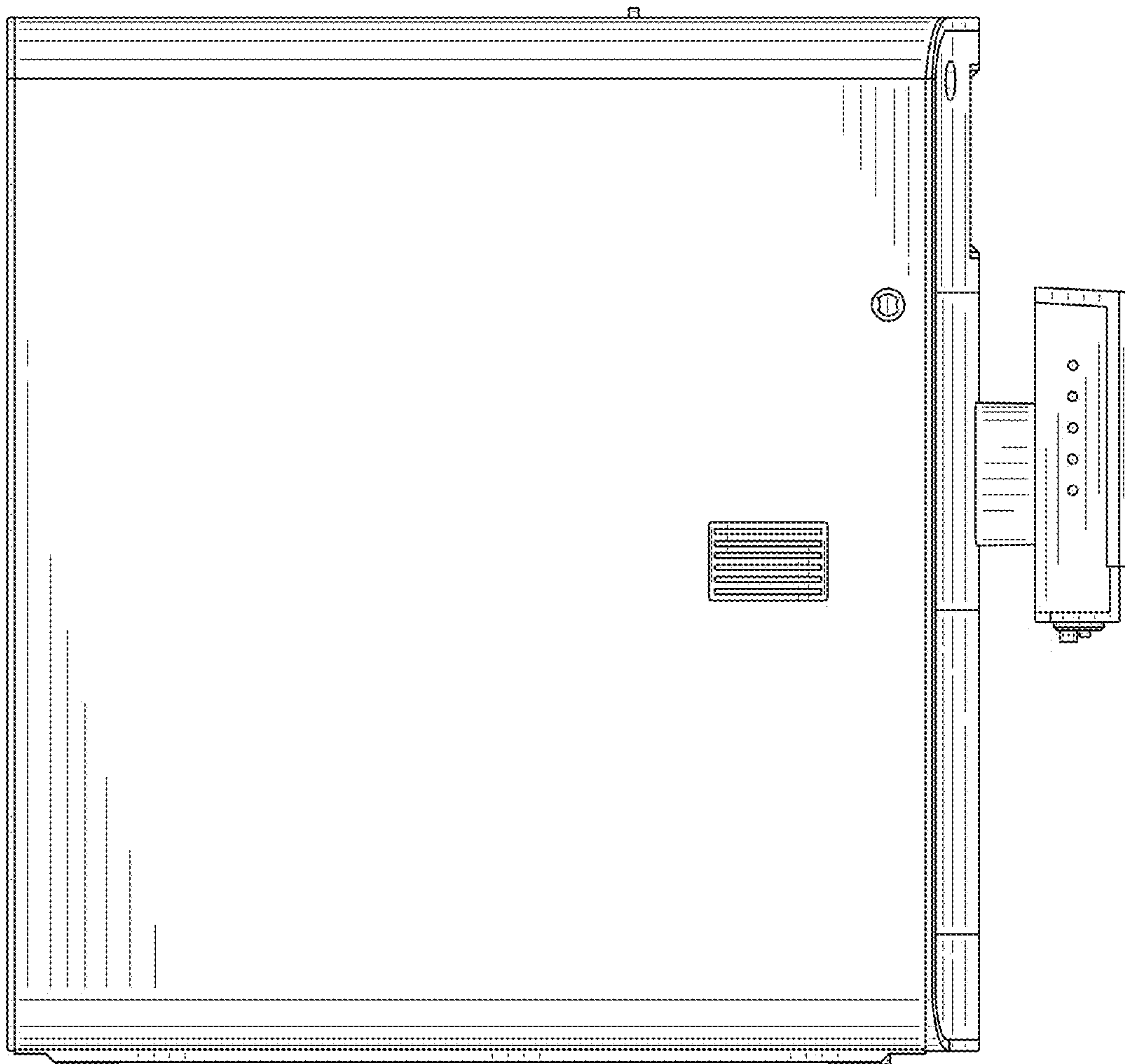


FIG. 6

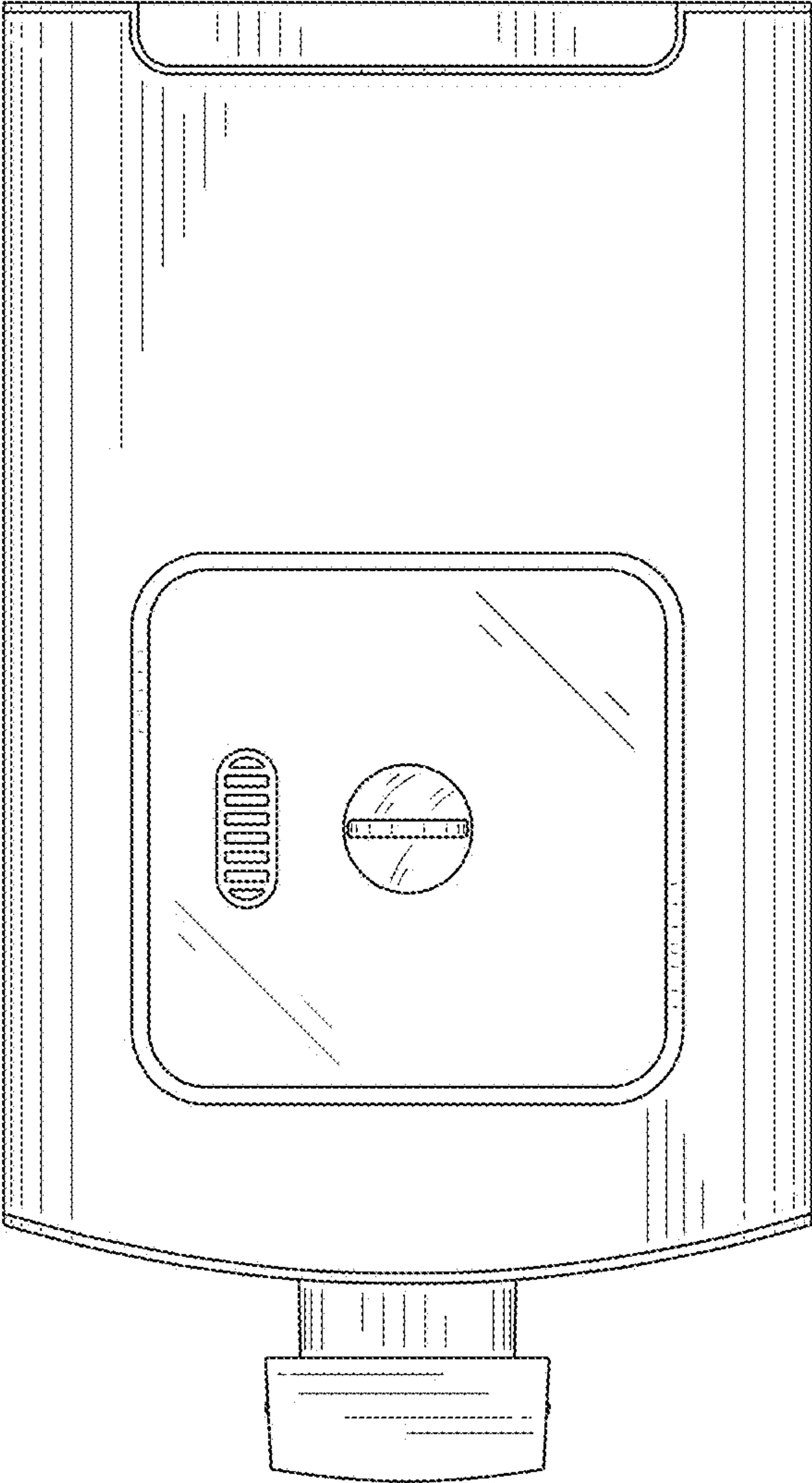


FIG. 7

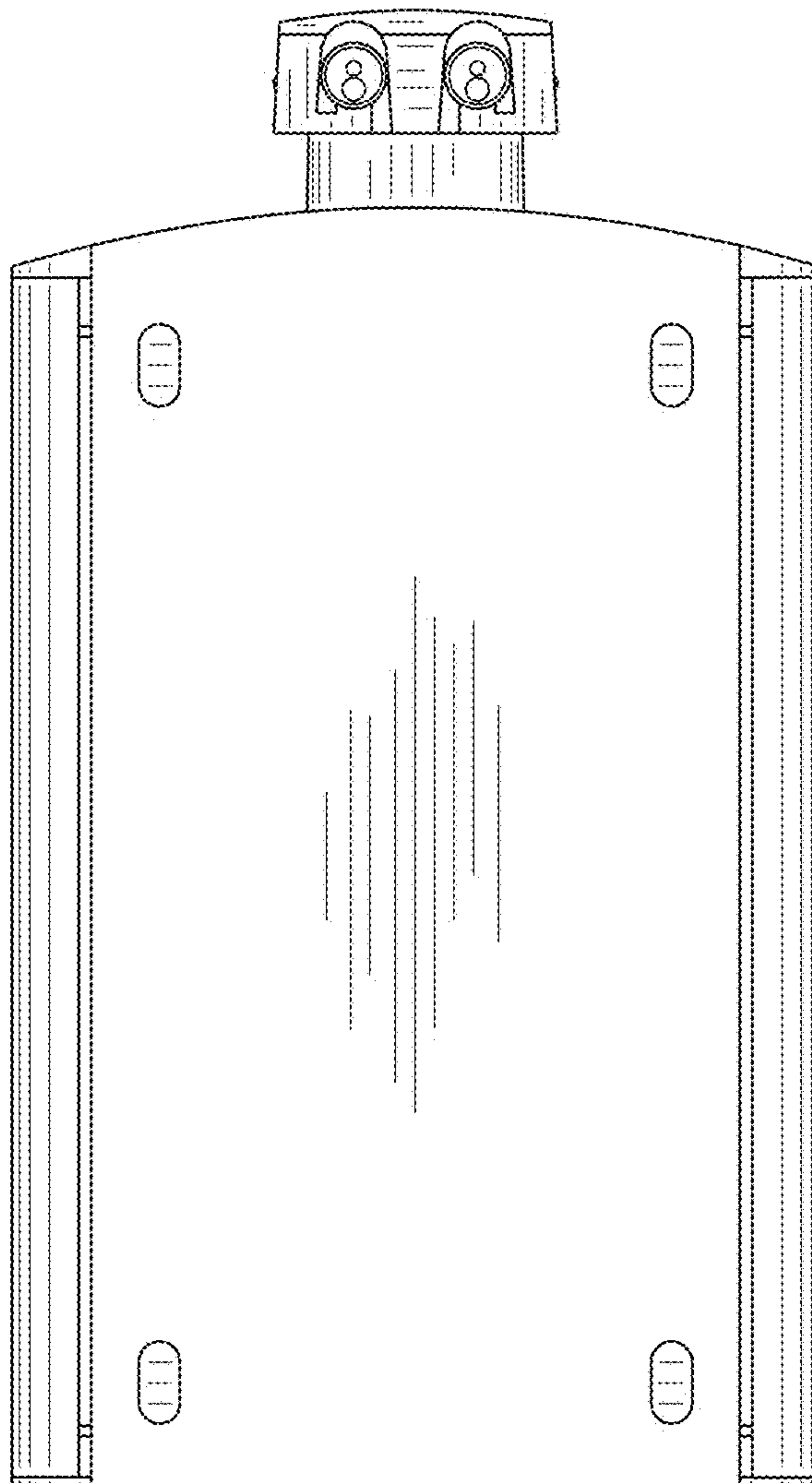


FIG. 8

