



US00D717090S

(12) **United States Design Patent**
James

(10) **Patent No.:** **US D717,090 S**

(45) **Date of Patent:** **** Nov. 11, 2014**

(54) **BED**

(71) Applicant: **Standard Furniture Manufacturing Co., Inc.**, Bay Minette, AL (US)

(72) Inventor: **Gary W James**, Dove Canyon, CA (US)

(73) Assignee: **Standard Furniture Manufacturing Co., Inc.**, Bay Minette, AL (US)

(**) Term: **14 Years**

(21) Appl. No.: **29/467,101**

(22) Filed: **Sep. 16, 2013**

Related U.S. Application Data

(63) Continuation of application No. 29/464,159, filed on Aug. 13, 2013.

(51) **LOC (10) Cl.** **06-06**

(52) **U.S. Cl.**
USPC **D6/718.22; D6/718.24**

(58) **Field of Classification Search**
USPC D6/382, 383, 384, 389, 393, 394, 718, D6/718.13, 718.14, 718.19, 718.2, 718.24, D6/718.22; 5/53.1, 279.1, 280, 281, 2.1
See application file for complete search history.

(56) **References Cited**

U.S. PATENT DOCUMENTS

D373,486 S * 9/1996 Keller et al. D6/393
D392,811 S * 3/1998 Bergelin D6/393

D503,295 S * 3/2005 O'Hare D6/393
D516,339 S * 3/2006 Mohundro D6/393
D519,306 S * 4/2006 Mohundro D6/505
D519,307 S * 4/2006 Mohundro D6/505
D524,074 S * 7/2006 Mohundro D6/393
D542,050 S * 5/2007 Domack et al. D6/393

* cited by examiner

Primary Examiner — Janice Seeger

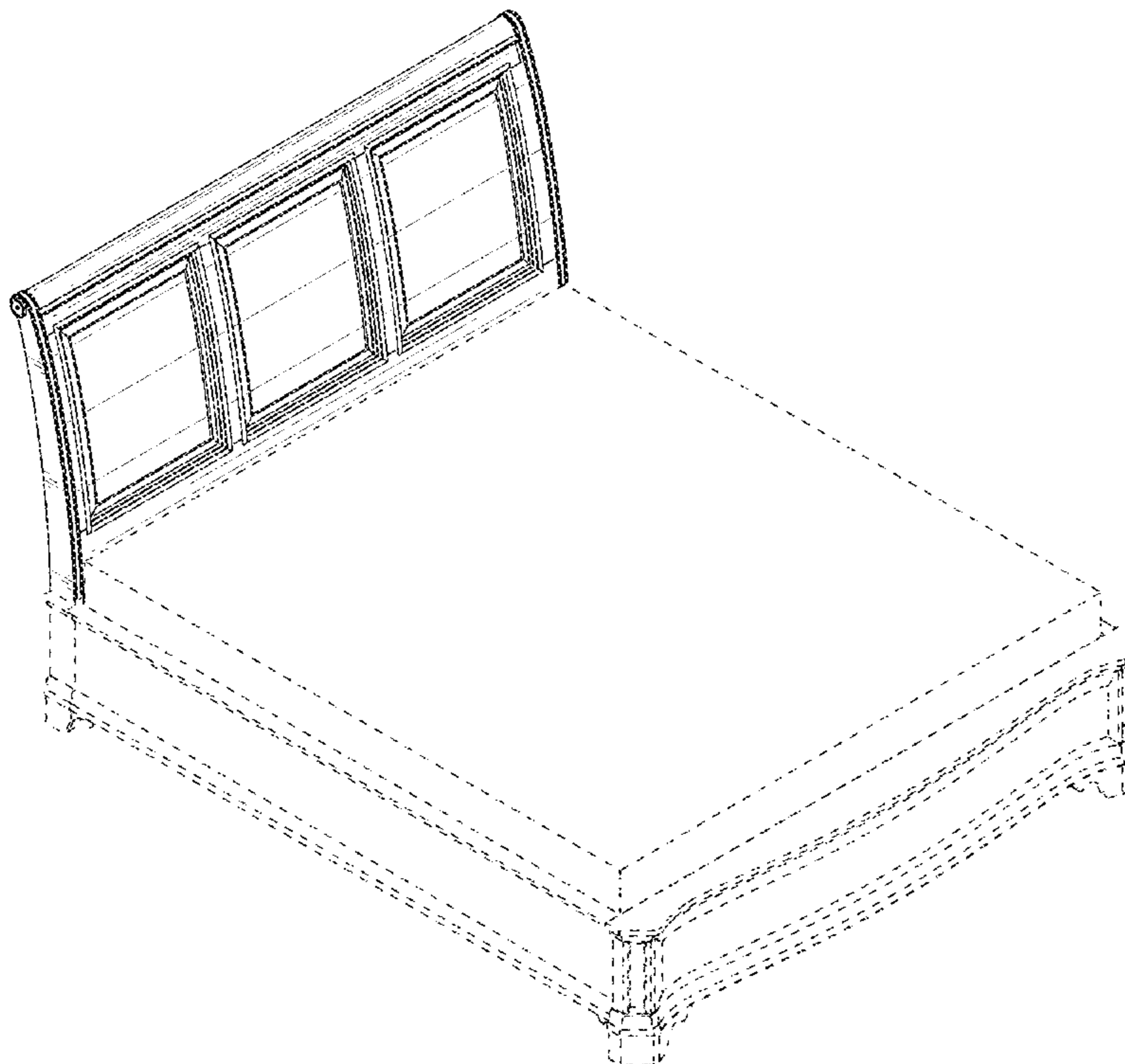
(57) **CLAIM**

I claim the ornamental design for a bed, as shown and described.

DESCRIPTION

FIG. 1 is a perspective view of a bed illustrating the claimed design and with a mattress shown thereon in phantom line; FIG. 2 is a perspective view of the design of the bed shown in FIG. 1 with the mattress removed; FIG. 3 is a front side view of the design of the bed shown in FIG. 1; FIG. 4 is a back side view of the design of the bed shown in FIG. 1; FIG. 5 is a right side view of the design of the bed shown in FIG. 1; FIG. 6 is a left side view of the design of the bed shown in FIG. 1; and, FIG. 7 is a top view of the design of the bed shown in FIG. 1. The bottom of the bed, not shown, forms no part of the claimed design. The broken lines in the drawings are for illustrative purposes only and form no part of the claimed design.

1 Claim, 7 Drawing Sheets



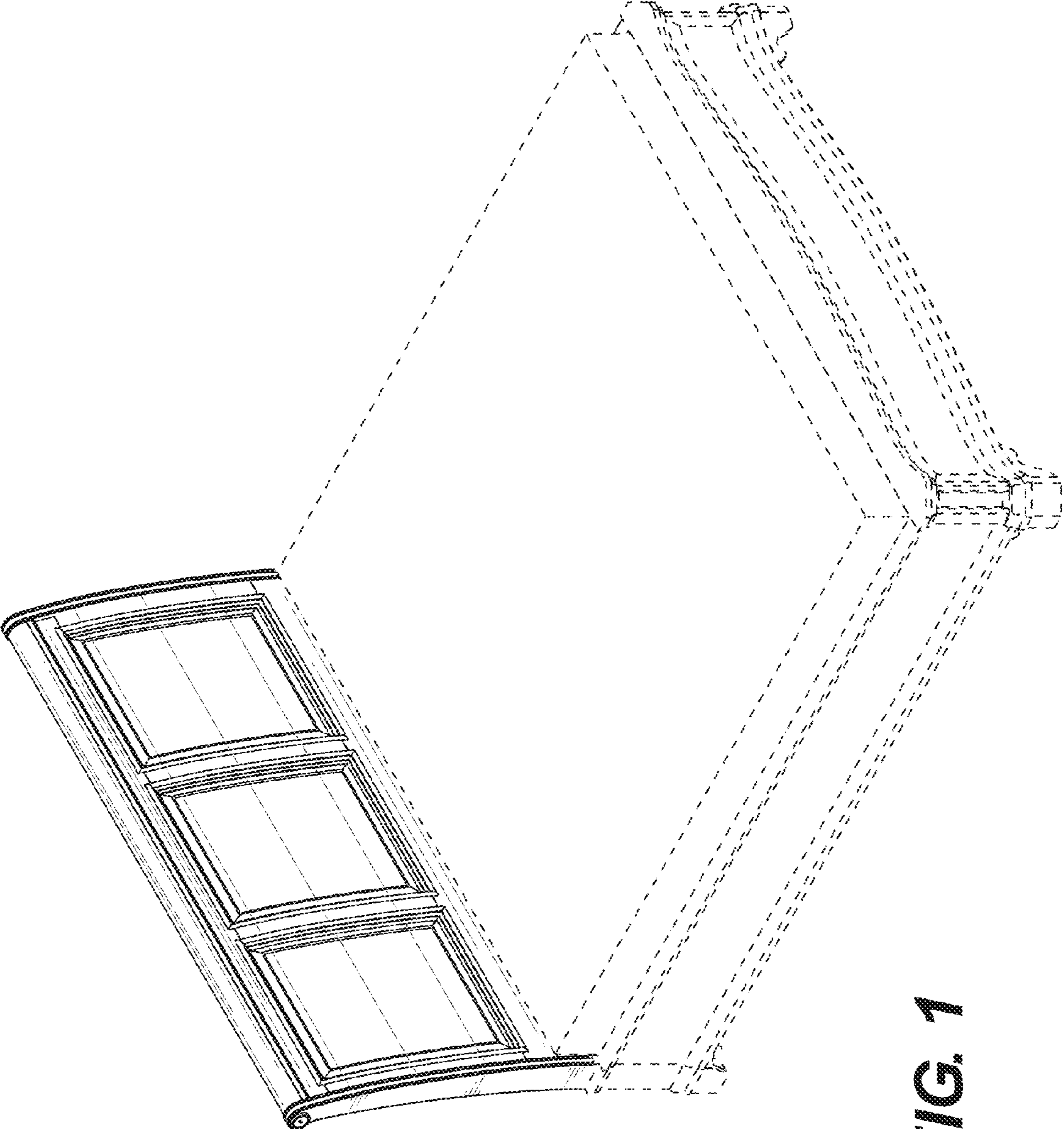


FIG. 1

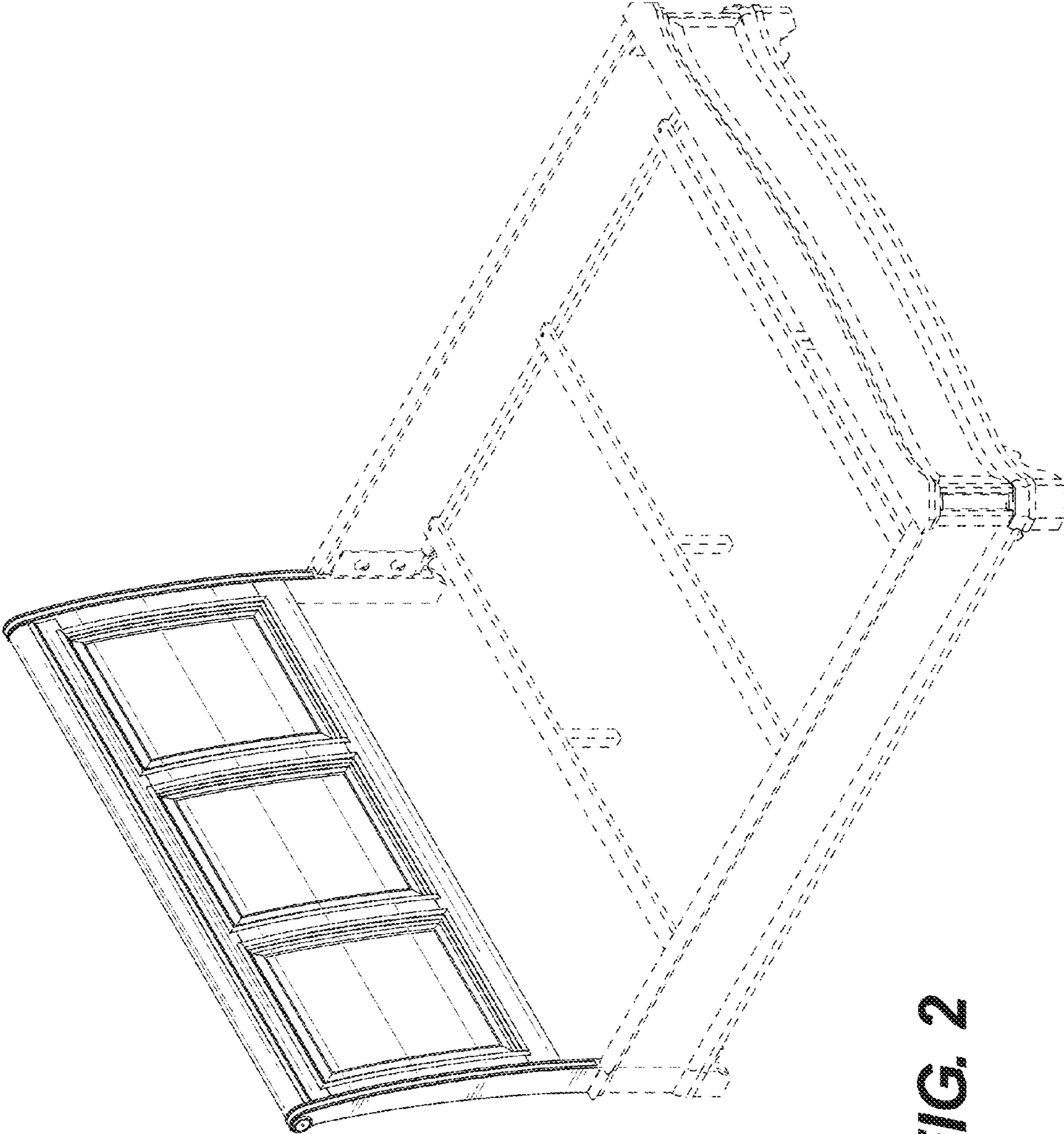


FIG. 2

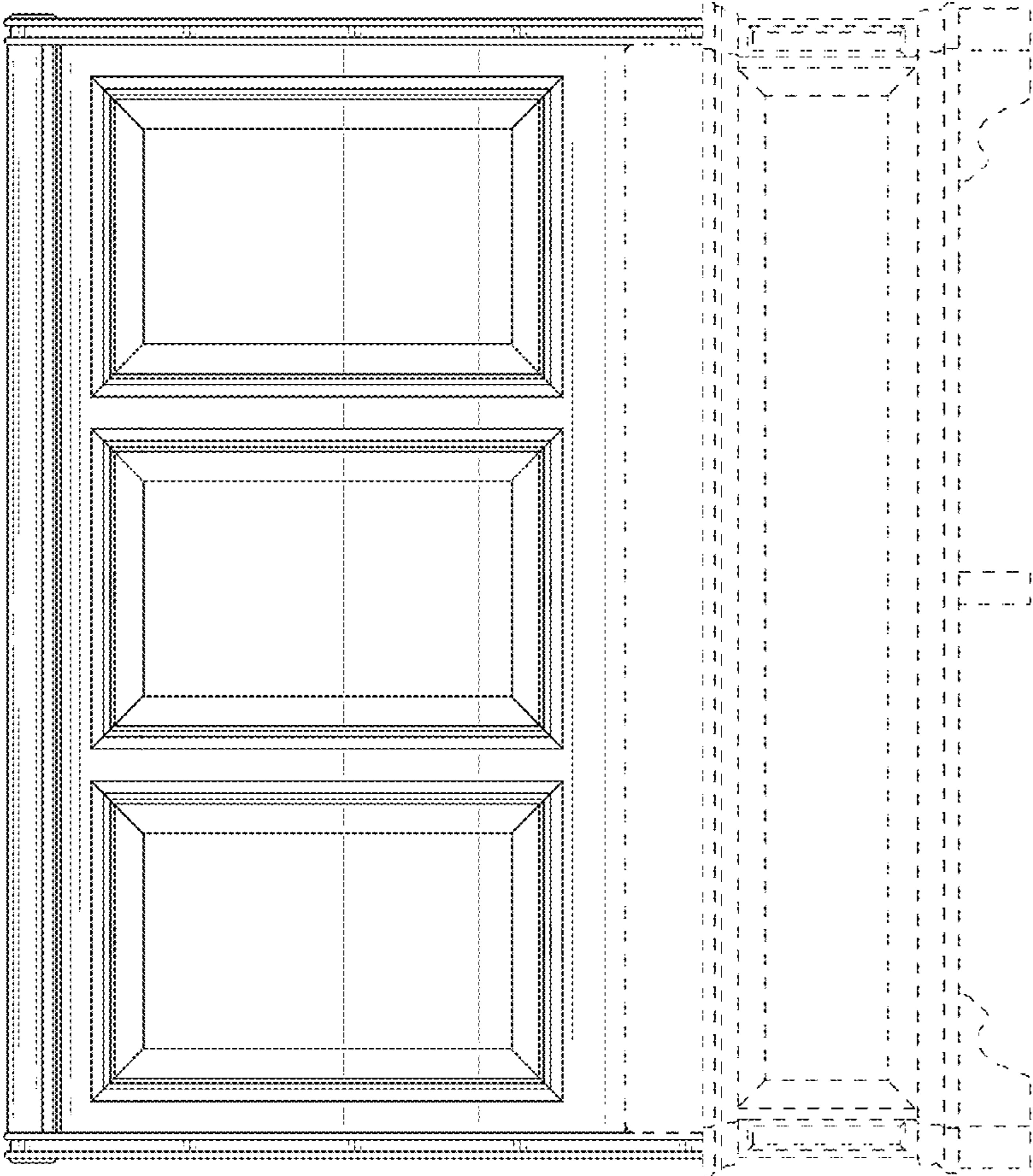


FIG. 3

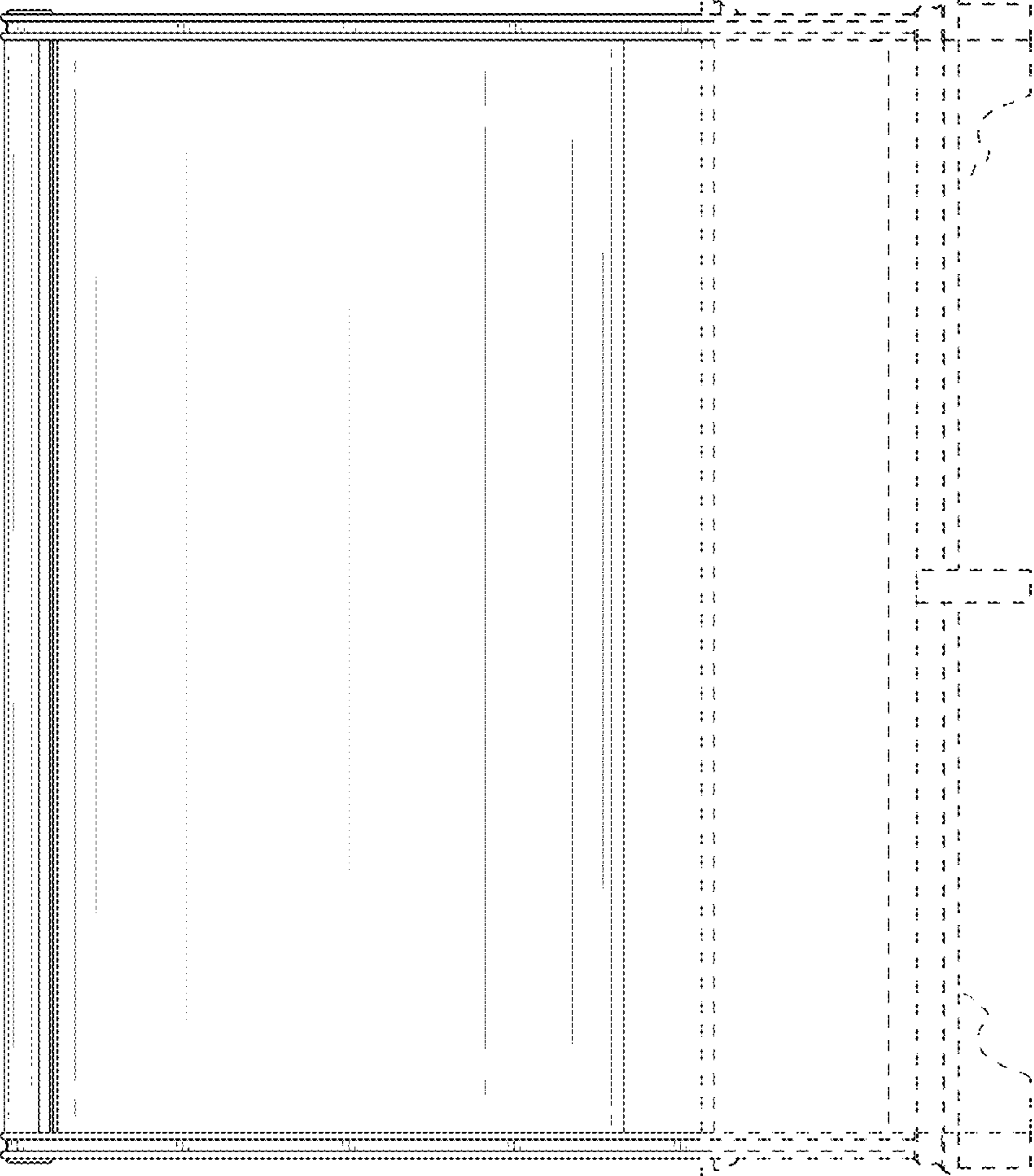


FIG. 4



FIG. 5



FIG. 6



FIG. 7