



US00D717088S

(12) **United States Design Patent**
Rawls-Meehan

(10) **Patent No.:** **US D717,088 S**

(45) **Date of Patent:** **** *Nov. 11, 2014**

(54) **ADJUSTABLE BED WITH INNER SKIRT**

(56) **References Cited**

(71) Applicant: **Martin B. Rawls-Meehan**, Franklin, MI (US)

U.S. PATENT DOCUMENTS

(72) Inventor: **Martin B. Rawls-Meehan**, Franklin, MI (US)

3,061,843	A *	11/1962	Singer et al.	5/618
3,644,946	A *	2/1972	Swatt	5/616
3,921,230	A *	11/1975	Hanning et al.	5/616
D255,402	S *	6/1980	Lundgren	D6/382
6,276,011	B1 *	8/2001	Antinori	5/618
6,311,348	B1 *	11/2001	Luff et al.	5/618
7,047,579	B2 *	5/2006	Piana et al.	5/411
D653,870	S *	2/2012	Messenger	D6/361
D657,158	S *	4/2012	McCarty et al.	D6/392
8,375,488	B2 *	2/2013	Rawls-Meehan	5/617
2005/0011005	A1 *	1/2005	Borda	5/412
2007/0220677	A1 *	9/2007	Dewert	5/618

(*) Notice: This patent is subject to a terminal disclaimer.

(**) Term: **14 Years**

(21) Appl. No.: **29/445,032**

(22) Filed: **Feb. 6, 2013**

* cited by examiner

Related U.S. Application Data

(63) Continuation of application No. 13/750,934, filed on Jan. 25, 2013.

(51) **LOC (10) Cl.** **06-06**

(52) **U.S. Cl.**

USPC **D6/718**; D6/392

(58) **Field of Classification Search**

USPC D6/382-384, 392-395, 702, 605;
5/53.1, 279.1, 280, 281, 907, 613, 616,
5/618, 722

See application file for complete search history.

Primary Examiner — Janice Seeger

(74) *Attorney, Agent, or Firm* — Gifford, Krass, Sprinkle, Anderson & Citkowski, P.C.; Douglas L. Wathen

(57) **CLAIM**

I claim the ornamental design for an adjustable bed with inner skirt, as shown and described.

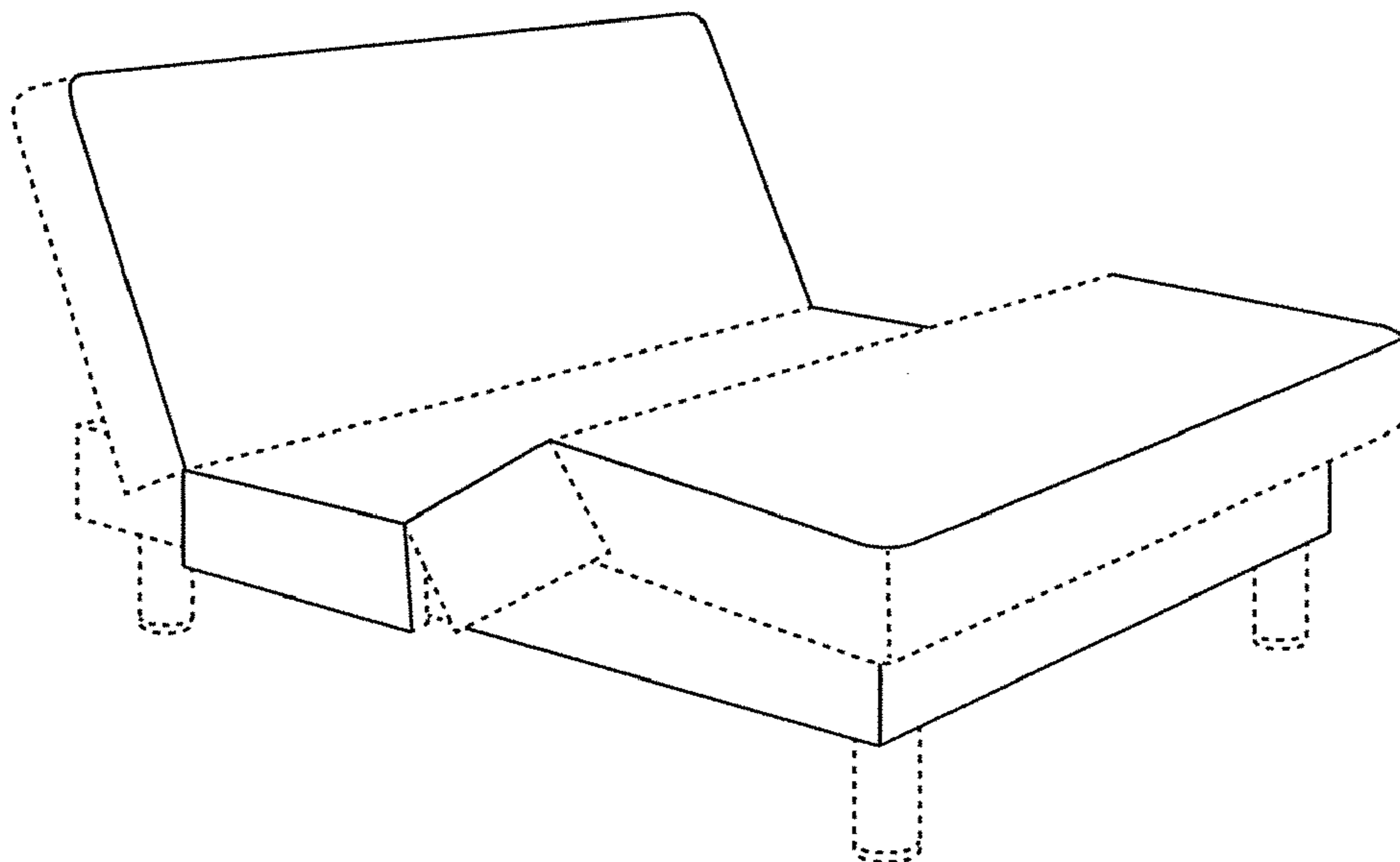
DESCRIPTION

FIG. 1 is a perspective illustration of an adjustable bed inner skirt design; and,

FIG. 2 is a side perspective view of the design of FIG. 1.

The broken lines are for environmental purposes only and form no part of the claimed design.

1 Claim, 1 Drawing Sheet



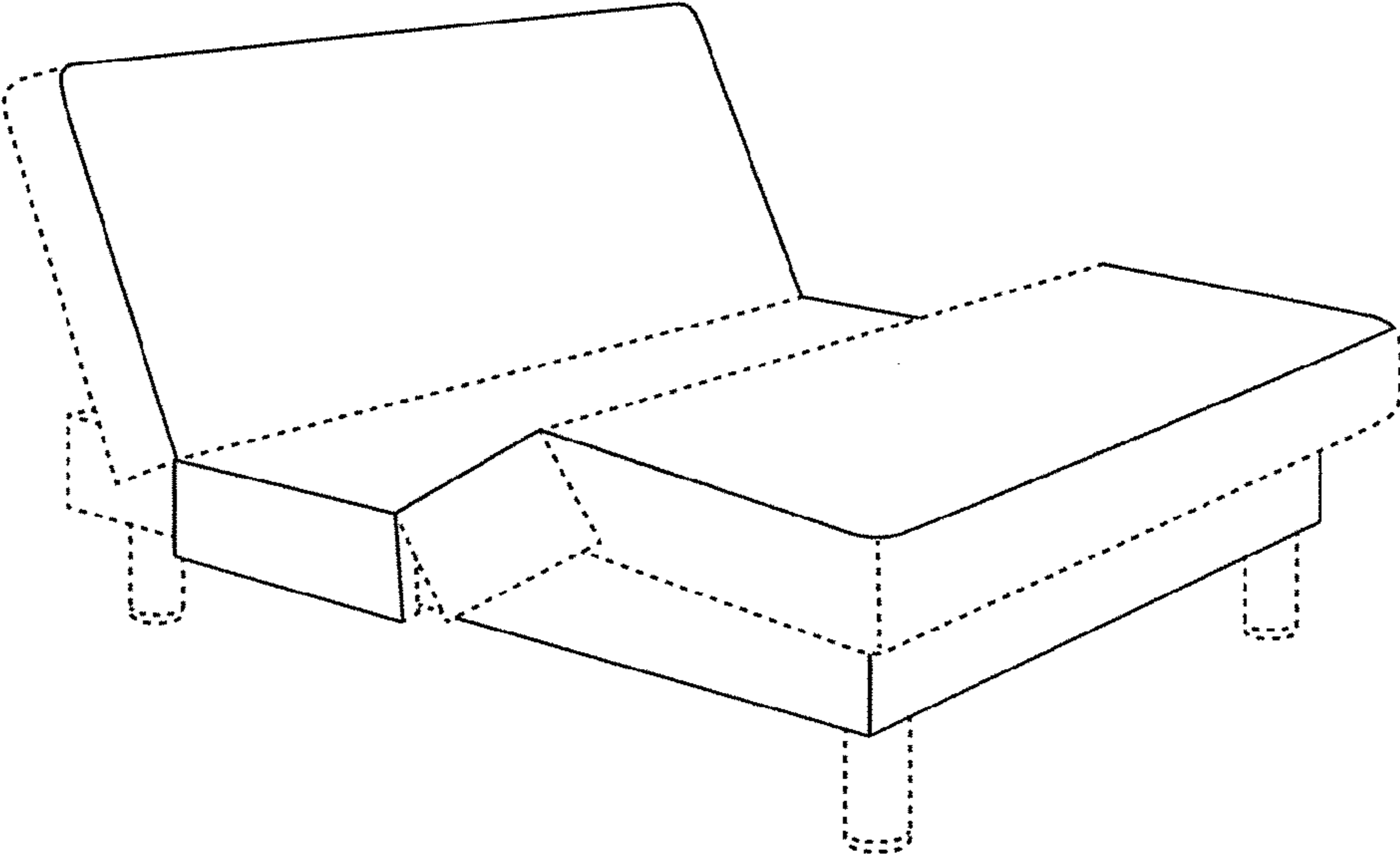


FIG. 1

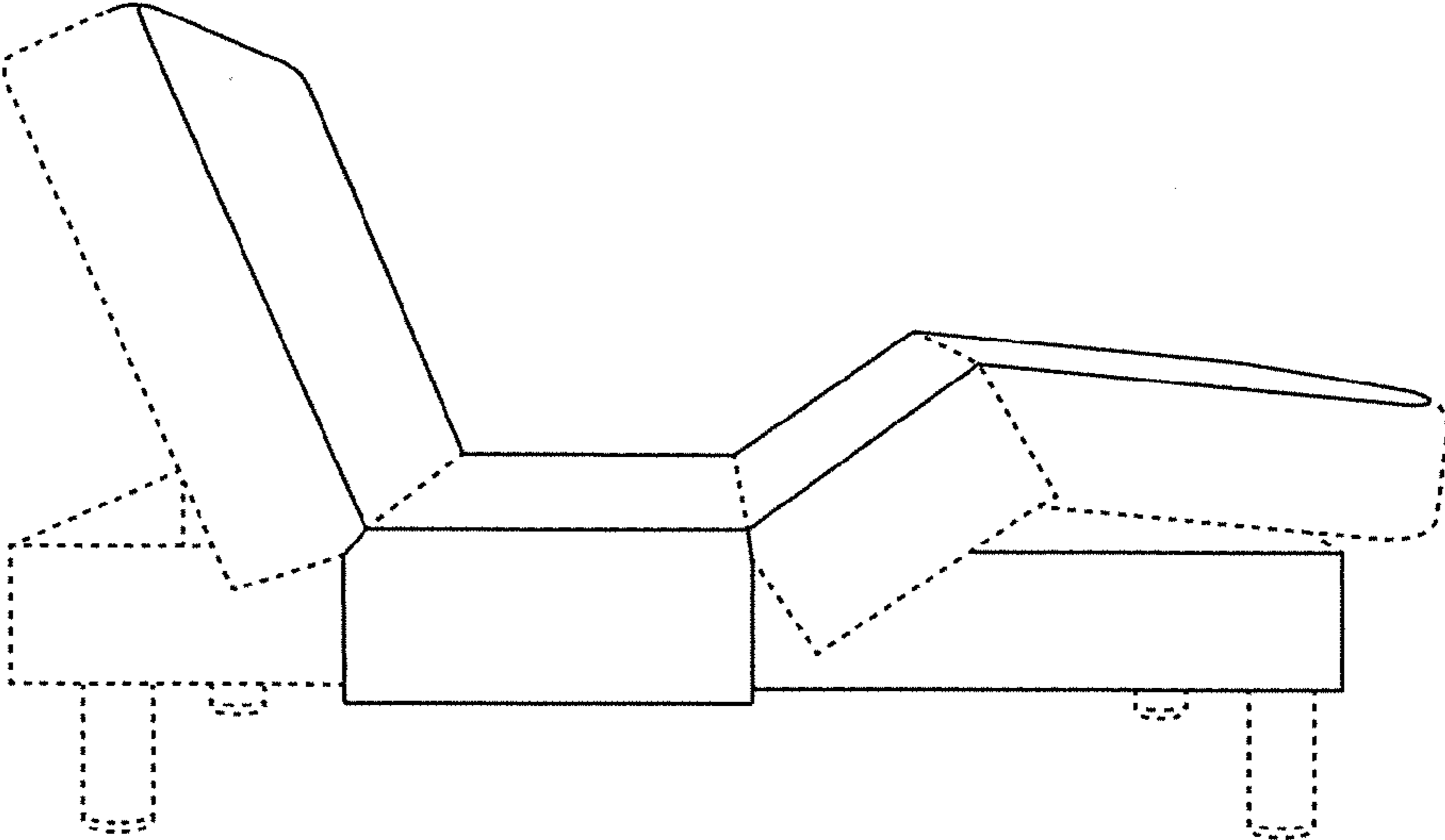


FIG. 2