



US00D717085S

(12) **United States Design Patent**
Trinh et al.

(10) **Patent No.:** **US D717,085 S**

(45) **Date of Patent:** **** Nov. 11, 2014**

(54) **DISPLAY APPARATUS**

(71) Applicant: **Target Brands, Inc.**, Minneapolis, MN (US)

(72) Inventors: **Nick Q. Trinh**, Minneapolis, MN (US); **William Y. Stafford**, Minnetrista, MN (US); **Blake M. Johnson**, St. Paul, MN (US); **Timothy J. Martell**, Brooklyn Park, MN (US); **Robert D. Peota**, Minneapolis, MN (US)

(73) Assignee: **Target Brands, Inc.**, Minneapolis, MN (US)

(**) Term: **14 Years**

(21) Appl. No.: **29/479,988**

(22) Filed: **Jan. 22, 2014**

(51) **LOC (10) Cl.** **06-06**

(52) **U.S. Cl.**
USPC **D6/675**

(58) **Field of Classification Search**
USPC D6/396, 449, 466-469, 477-479, 675, D6/675.1; 108/59-61, 92-93, 96, 108/106-107, 147.11; 211/85.26, 90.01, 211/90.04, 134, 135, 186-187, 153, 190, 211/207, 49.1, 50, 70.1

See application file for complete search history.

(56) **References Cited**

U.S. PATENT DOCUMENTS

D250,868 S *	1/1979	Ornatek	D6/445
D290,204 S *	6/1987	Bruget	D6/479
D296,392 S *	6/1988	Noyes et al.	D6/329
D338,117 S *	8/1993	Caldwell et al.	D6/468
D395,677 S *	6/1998	Gongora et al.	D20/10
D397,562 S *	9/1998	DePottey et al.	D6/468
D398,653 S *	9/1998	Hiraguchi et al.	D20/10

D427,457 S *	7/2000	Heiny et al.	D6/477
D436,762 S *	1/2001	Heiny et al.	D6/479
D438,030 S *	2/2001	Riga	D6/477
D440,796 S *	4/2001	Riga	D6/468
D468,560 S *	1/2003	Riga	D6/477
D546,013 S *	7/2007	Pong	D32/58
D579,229 S *	10/2008	De La Serve et al.	D6/396
D590,630 S *	4/2009	Singler et al.	D6/432
D607,669 S	1/2010	Trinh et al.	
D607,670 S	1/2010	Trinh et al.	
D608,775 S *	1/2010	Leung	D14/307
D610,832 S *	3/2010	Rheault	D6/436
D637,421 S	5/2011	Theisen et al.	
D637,422 S	5/2011	Theisen et al.	
D639,086 S	6/2011	Curbbun et al.	
D639,800 S *	6/2011	Magruder	D14/307
D661,124 S	6/2012	Curbbun et al.	
D679,521 S *	4/2013	Hamm et al.	D6/672
D689,473 S *	9/2013	Manton	D14/224

* cited by examiner

Primary Examiner — Kelley Donnelly

(74) *Attorney, Agent, or Firm* — Leanne Taveggia Farrell; Westman, Champlin & Koehler, P.A.

(57) **CLAIM**

The ornamental design for a display apparatus, as shown and described.

DESCRIPTION

FIG. 1 is a top perspective view shown with environment showing our new design;

FIG. 2 is a top perspective view thereof;

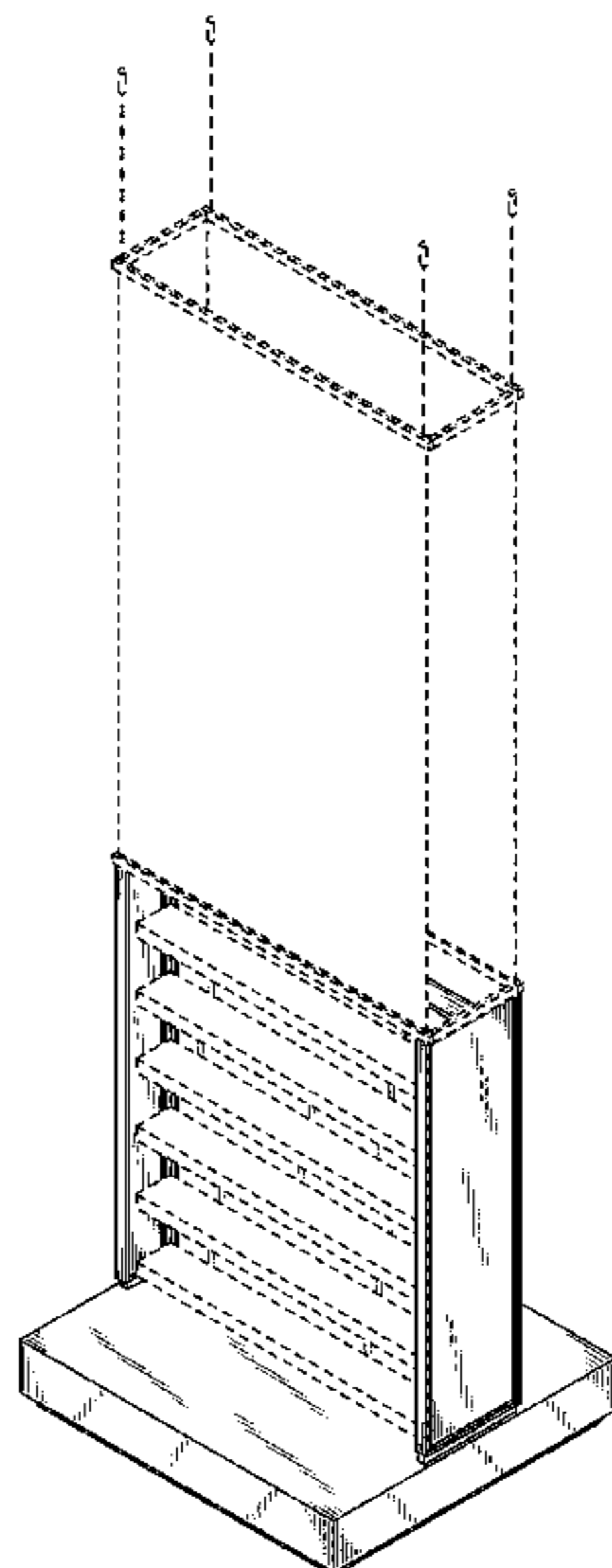
FIG. 3 is a front view thereof, the opposing back view being identical;

FIG. 4 is a side view thereof, the opposing side view being identical; and,

FIG. 5 is a top view thereof.

The broken lines shown in the drawings are included for purposes of illustrating environment or portions of the display apparatus and form no part of the claimed design.

1 Claim, 2 Drawing Sheets



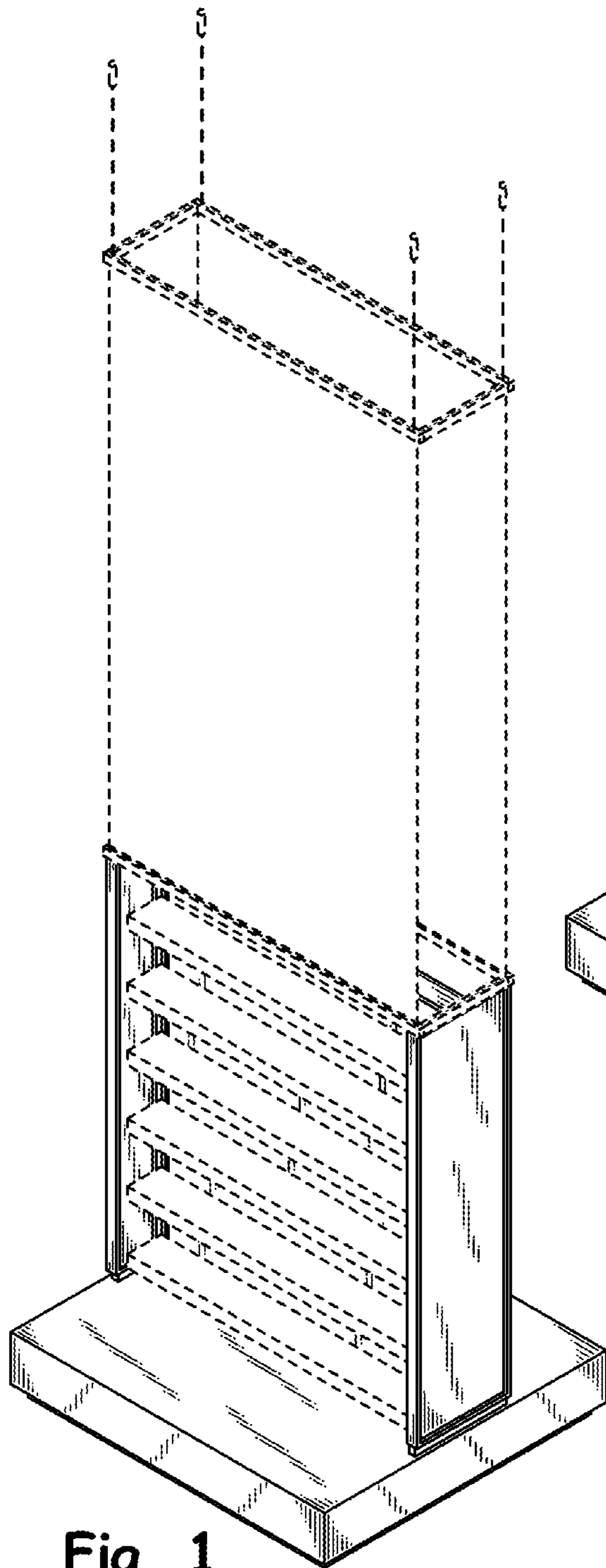


Fig. 1

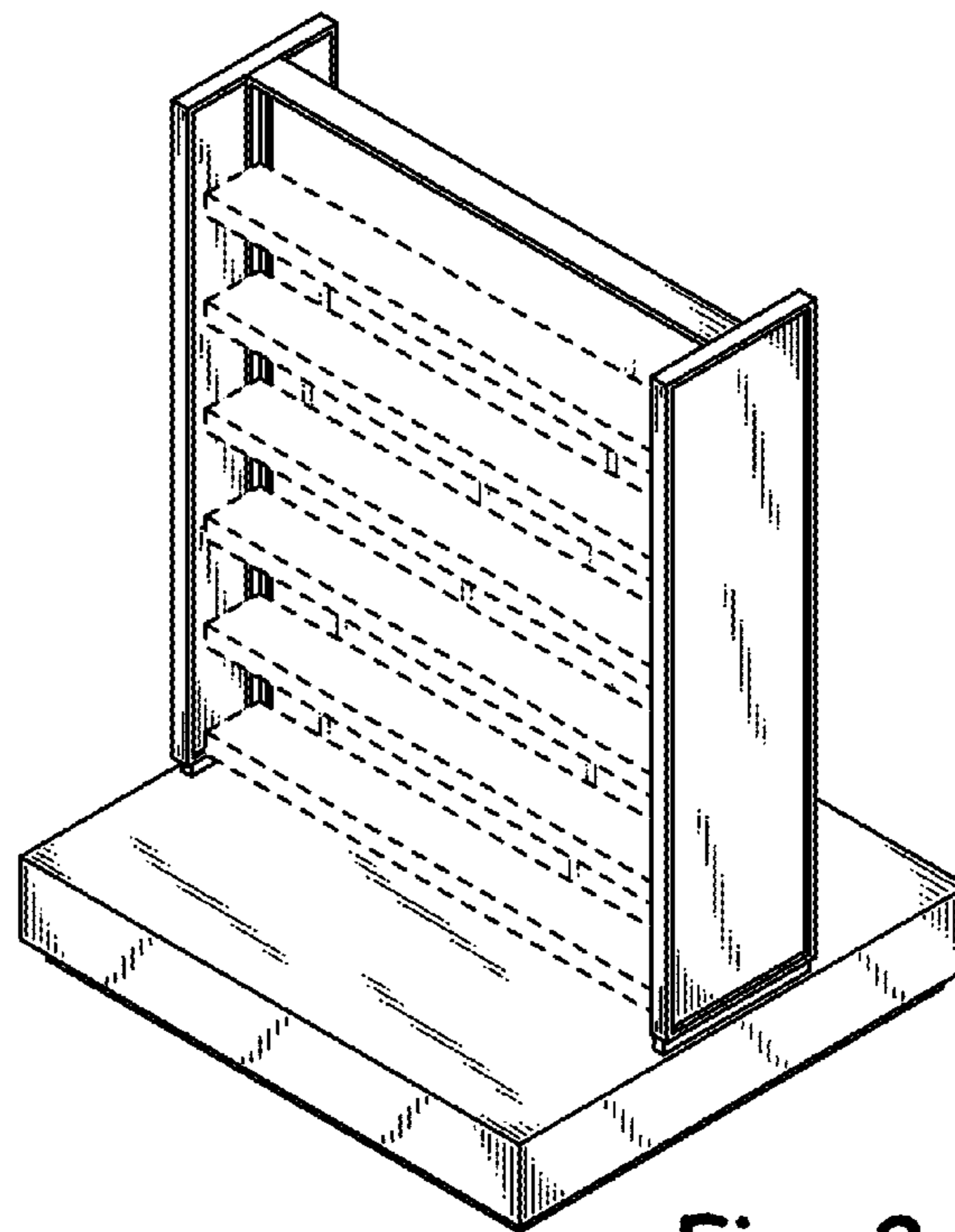


Fig. 2

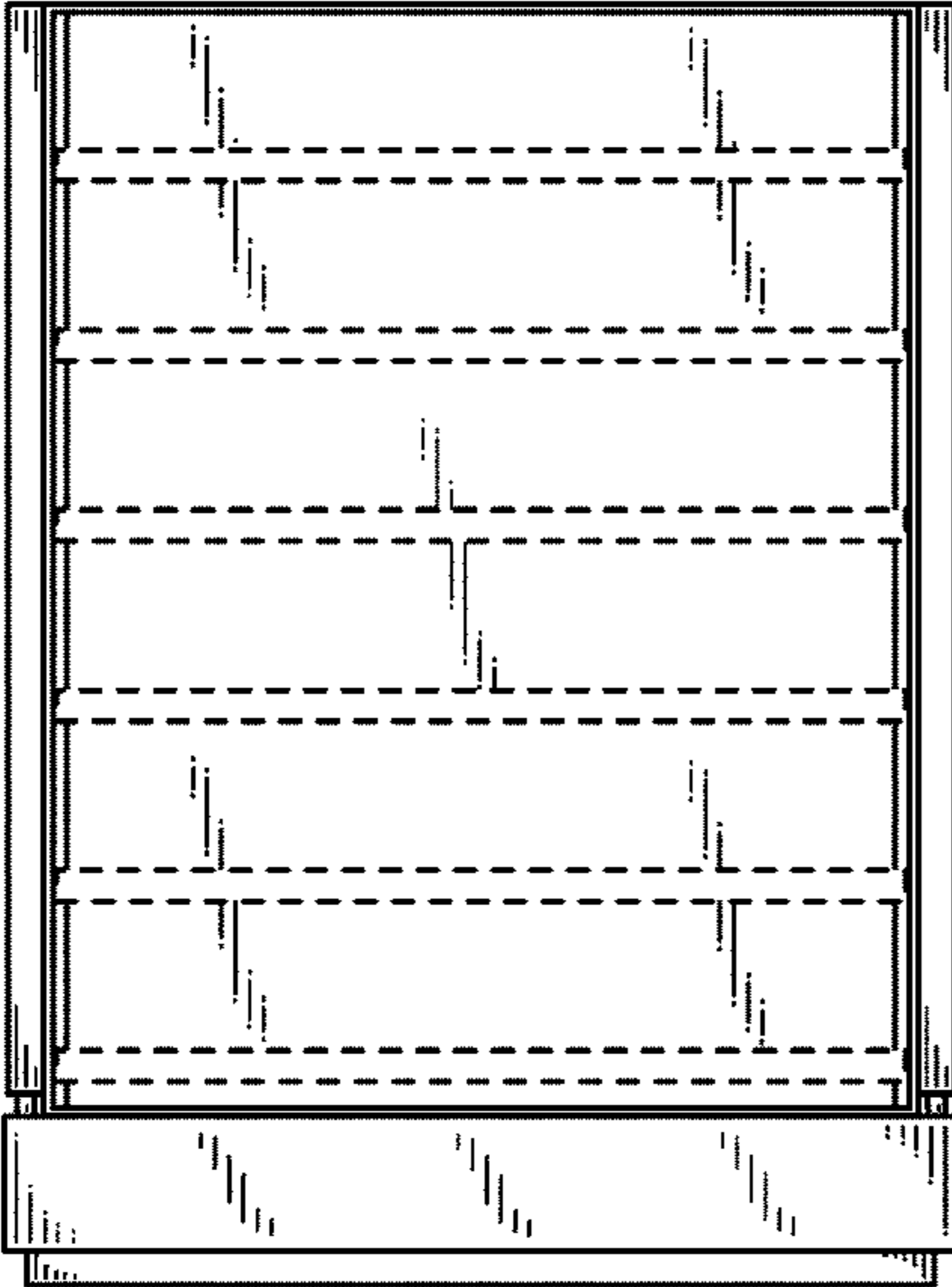


Fig. 3

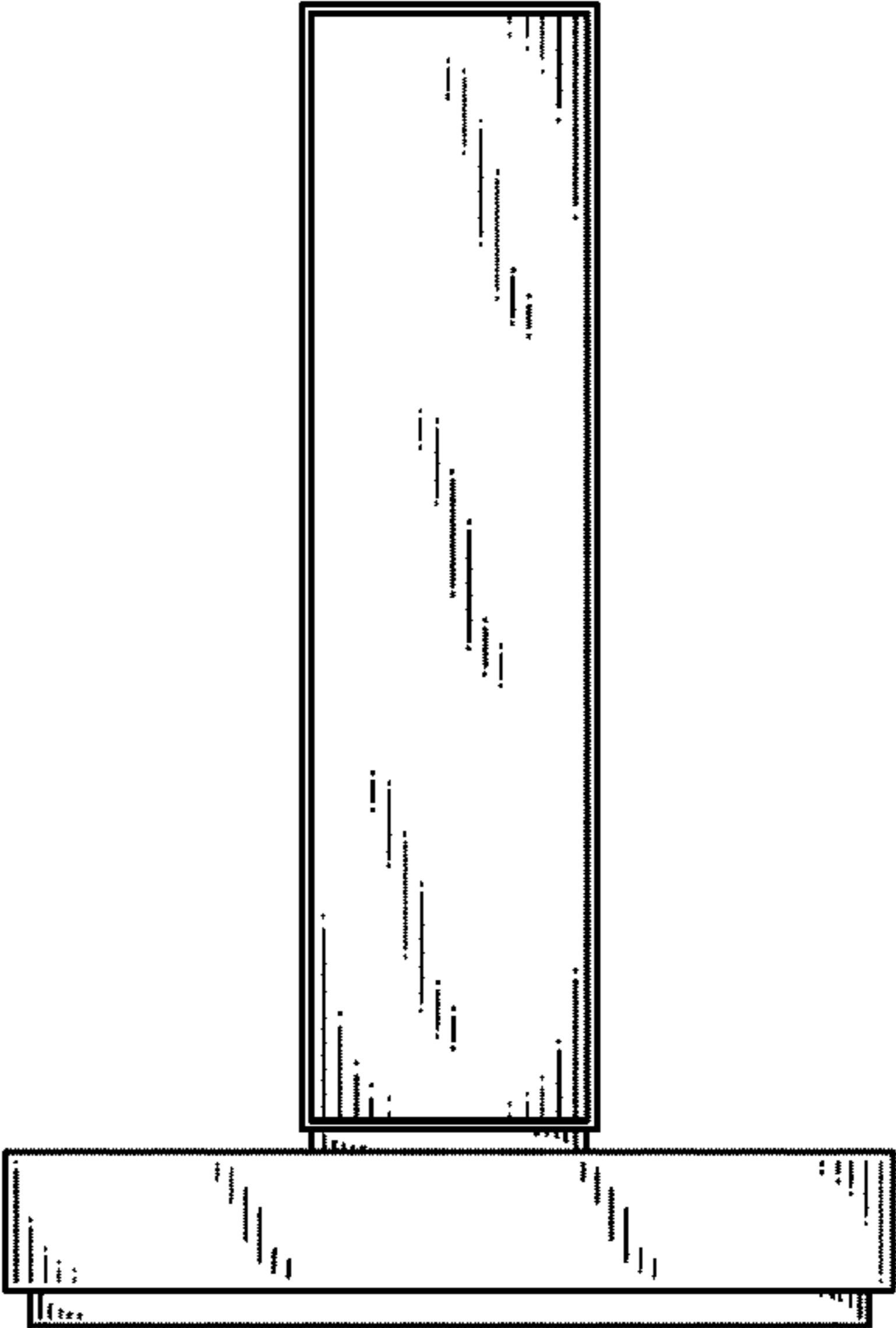


Fig. 4

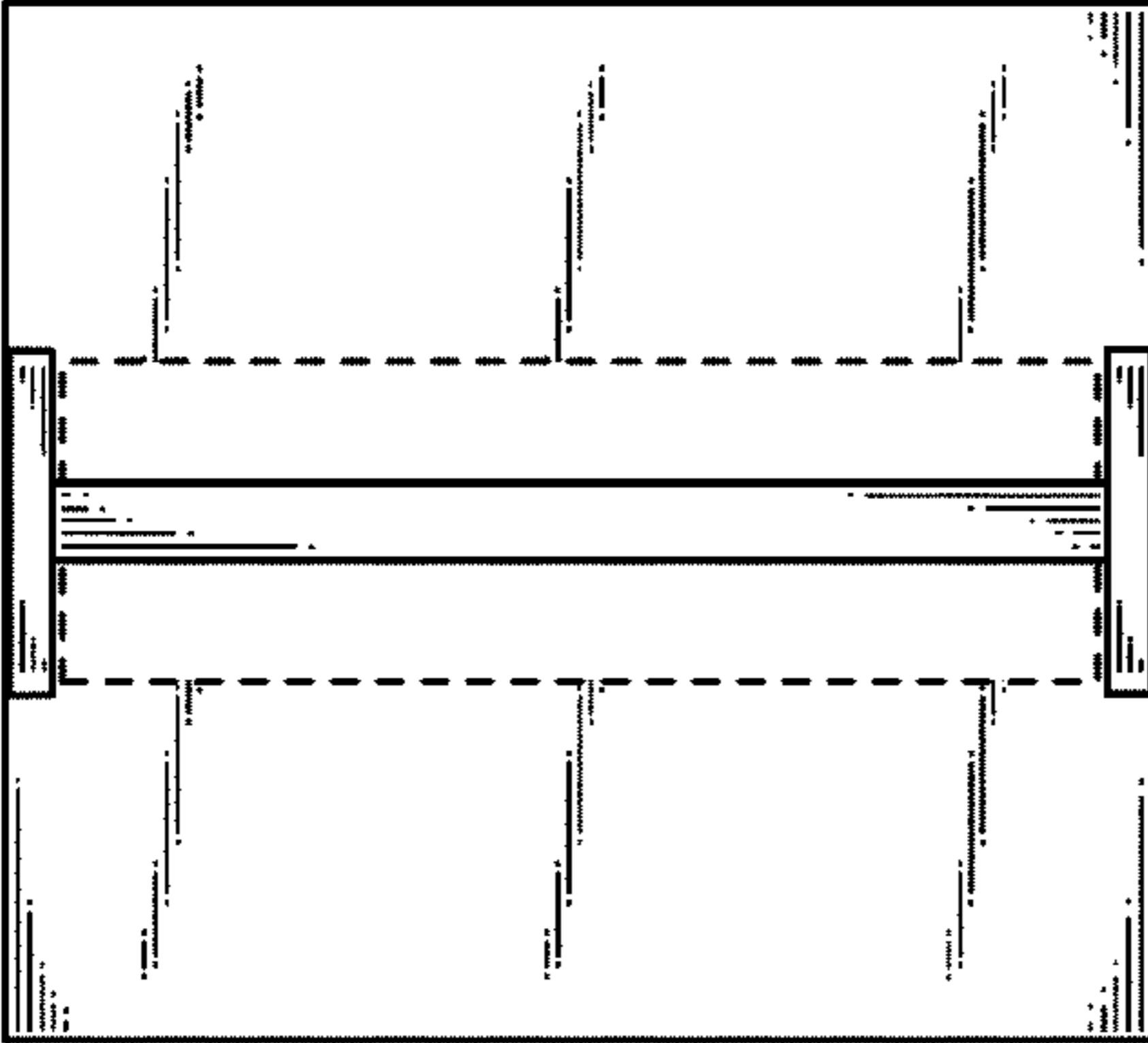


Fig. 5