



US00D717084S

(12) **United States Design Patent**  
**Vogler et al.**

(10) **Patent No.:** **US D717,084 S**

(45) **Date of Patent:** **\*\* Nov. 11, 2014**

(54) **STORAGE TABLE**

(71) Applicant: **Suncast Technologies, LLC**, Palm Beach Gardens, FL (US)

(72) Inventors: **Michael R. Vogler**, Oswego, IL (US);  
**Michael Thuma**, La Grange, IL (US);  
**Robert Kopp**, Elburn, IL (US)

(73) Assignee: **Suncast Technologies, LLC**, Palm Beach Gardens, FL (US)

(\*\*) Term: **14 Years**

(21) Appl. No.: **29/462,509**

(22) Filed: **Aug. 5, 2013**

(51) **LOC (10) Cl.** ..... **06-04**

(52) **U.S. Cl.**  
USPC ..... **D6/667**

(58) **Field of Classification Search**  
USPC ..... D6/663, 664, 667, 668, 671, 671.1;  
312/138.1, 204, 237, 249.3, 257.1,  
312/290, 327; D3/272, 273, 294

See application file for complete search history.

(56) **References Cited**

U.S. PATENT DOCUMENTS

D271,644 S *	12/1983	Thompson .....	D6/667
D426,724 S *	6/2000	Stangl .....	D6/667
D613,522 S *	4/2010	Kanthasamy .....	D6/667
D655,104 S *	3/2012	Vogler et al. ....	D6/667
D658,907 S *	5/2012	Peel .....	D6/667
D662,726 S *	7/2012	Kopp et al. ....	D6/667
D693,605 S *	11/2013	Rasenberg et al. ....	D6/667
D706,063 S *	6/2014	Arnon et al. ....	D6/667
D711,103 S *	8/2014	Wu et al. ....	D3/294

\* cited by examiner

*Primary Examiner* — Mimoso De

(74) *Attorney, Agent, or Firm* — McHale & Slavin, P.A.

(57) **CLAIM**

The ornamental design for a storage table, as shown and described.

**DESCRIPTION**

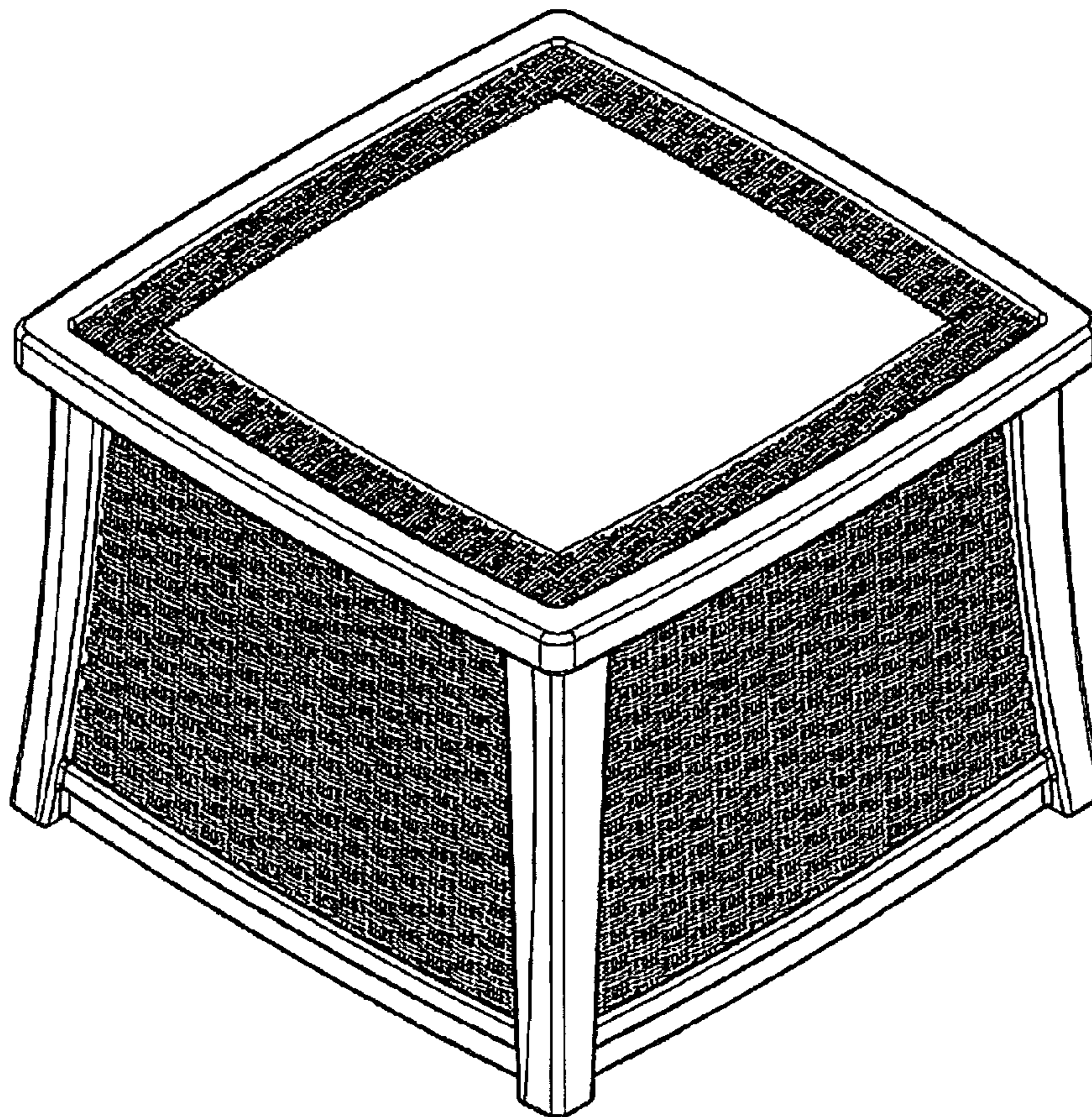
FIG. 1 is a front right perspective view of the storage table of the present invention;

FIG. 2 is a front side view thereof;

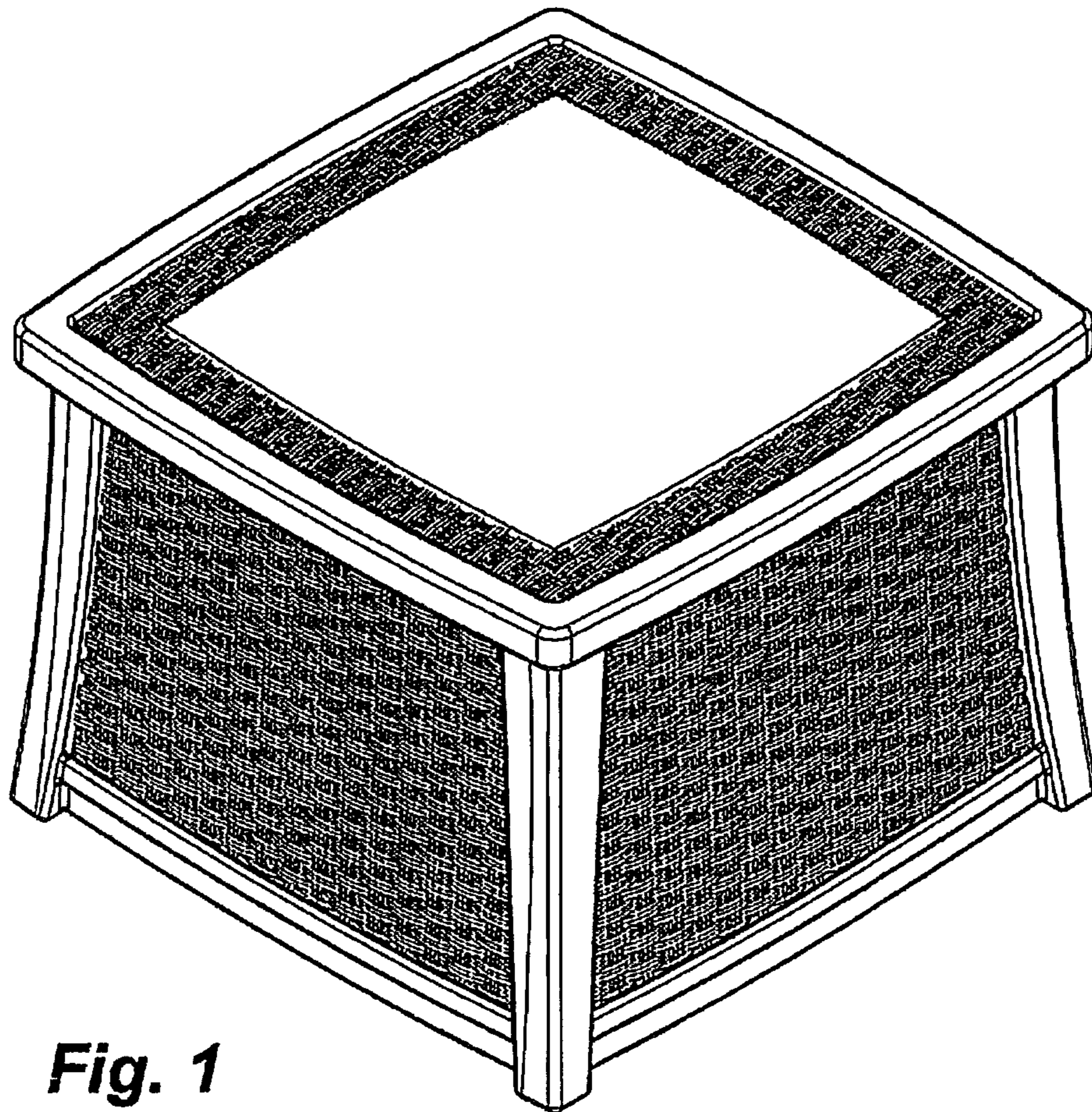
FIG. 3 is a right side view thereof, the left side view being a mirror image thereof; and,

FIG. 4 is a top view thereof.

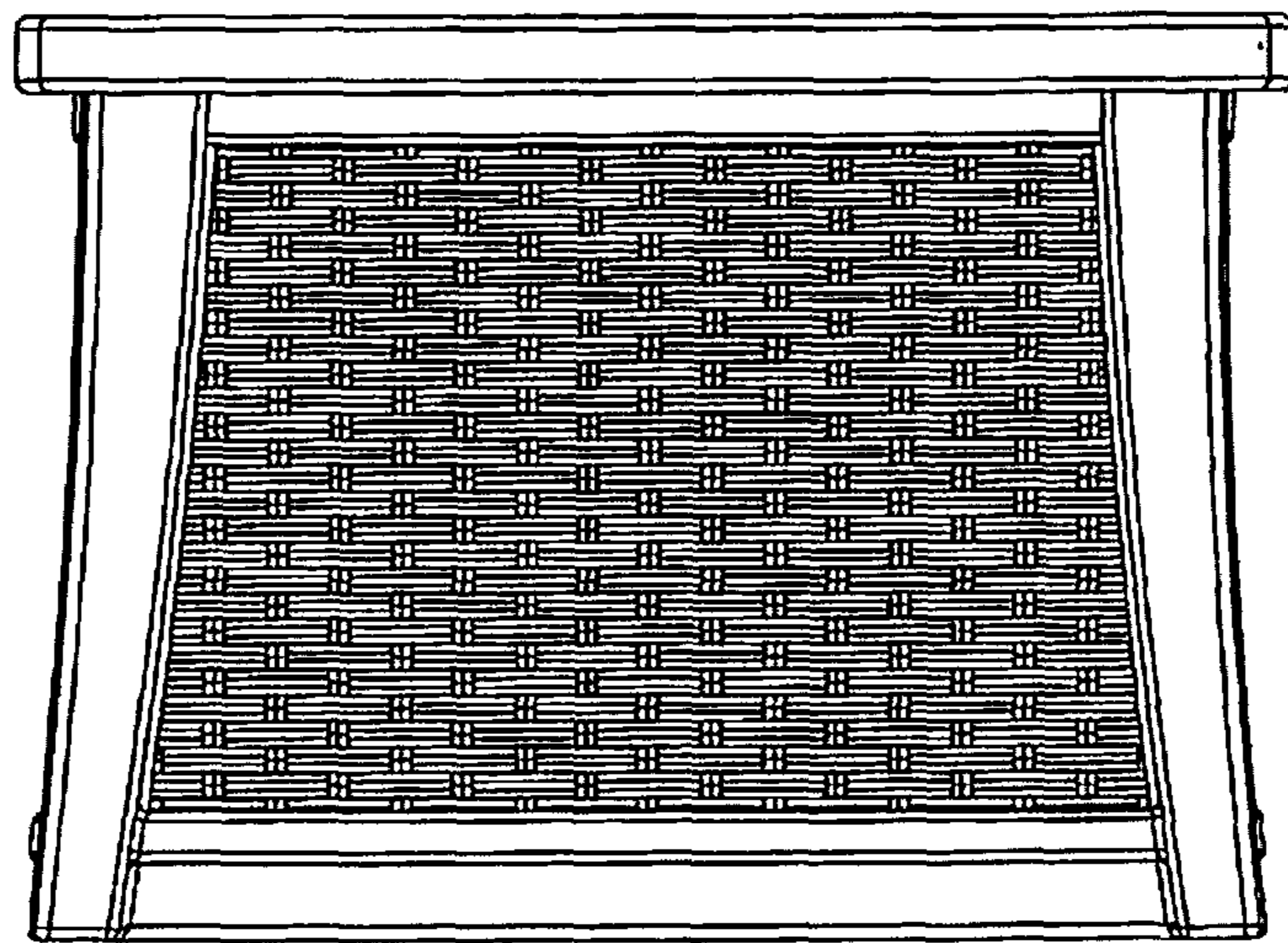
**1 Claim, 4 Drawing Sheets**



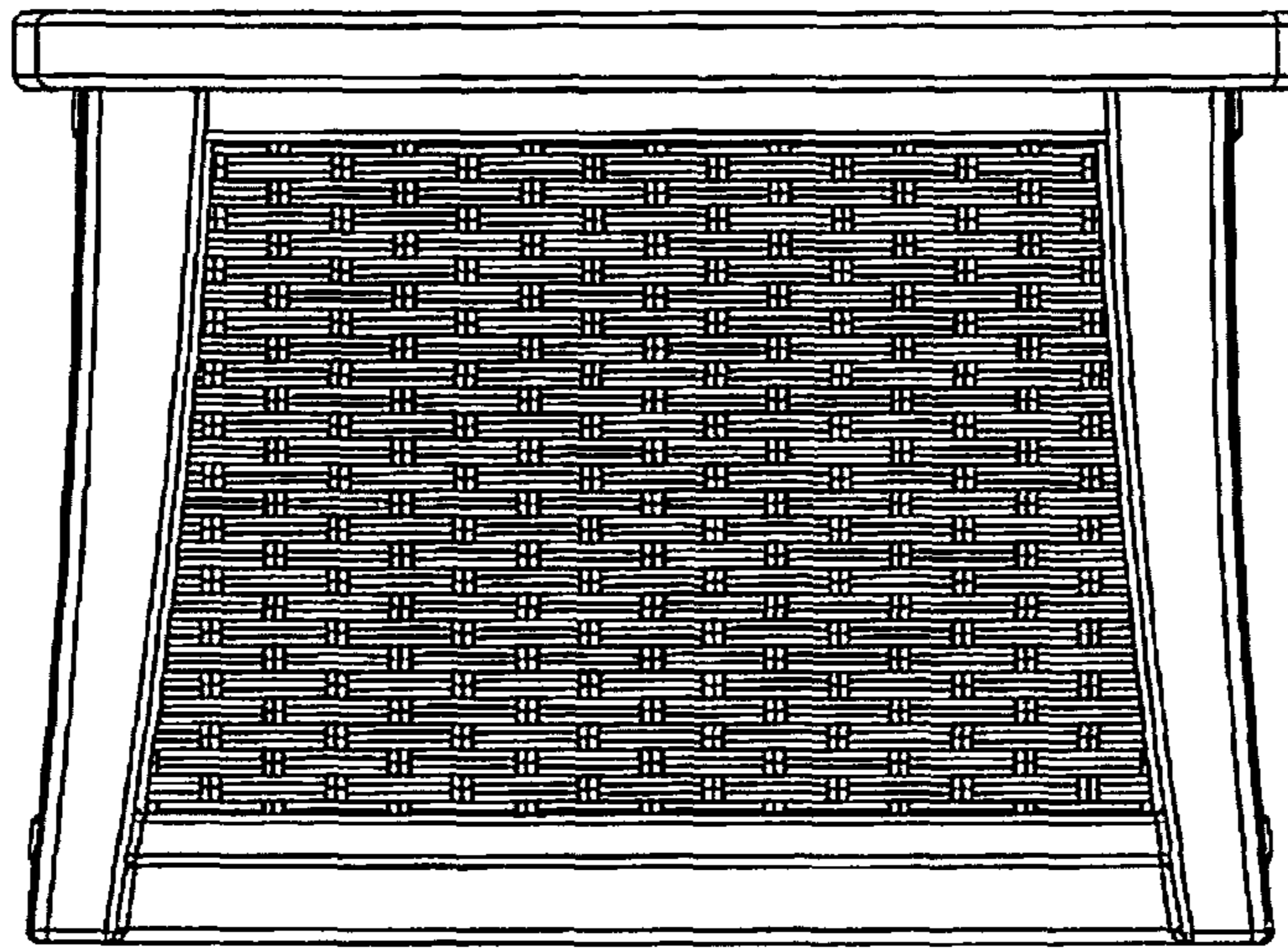




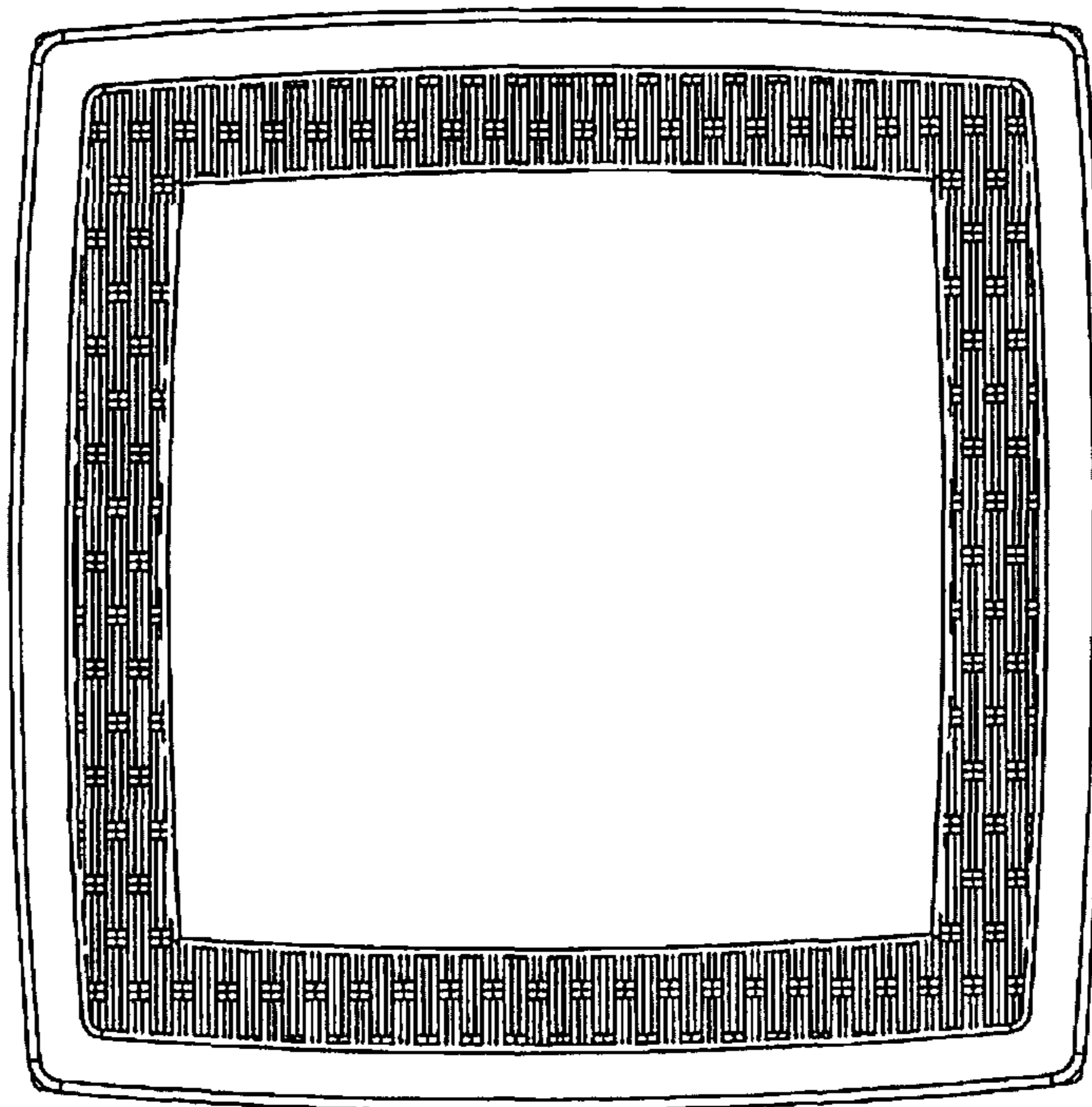
**Fig. 1**



**Fig. 2**



**Fig. 3**



**Fig. 4**