



US00D717083S

(12) **United States Design Patent**
White

(10) **Patent No.:** **US D717,083 S**

(45) **Date of Patent:** **** Nov. 11, 2014**

(54) **SHOE-EXHIBIT**

(71) Applicant: **Maurice White**, York, PA (US)

(72) Inventor: **Maurice White**, York, PA (US)

(**) Term: **14 Years**

(21) Appl. No.: **29/481,923**

(22) Filed: **Feb. 12, 2014**

(51) **LOC (10) Cl.** **06-04**

(52) **U.S. Cl.**
USPC **D6/657**

(58) **Field of Classification Search**
USPC D6/657, 663, 664, 667; D3/272, 294,
D3/297; 312/114, 138.1, 204, 311, 326,
312/324

See application file for complete search history.

(56) **References Cited**

U.S. PATENT DOCUMENTS

D188,075 S *	5/1960	Vannice	D3/297
D388,976 S *	1/1998	Markson	D6/663
D434,579 S *	12/2000	Rabb	D6/663
6,622,345 B2 *	9/2003	Liu et al.	312/326
D508,799 S *	8/2005	Von der Burg et al.	D6/661
D580,653 S *	11/2008	Robaina	D3/272
D590,153 S *	4/2009	Sapp	D6/667
D653,476 S *	2/2012	Smith	D6/667

OTHER PUBLICATIONS

Web link to a shoe storage unit at the container store, <http://www.containerstore.com/shop/closet/shoeStorage/shelf?productId=10024249>, site downloaded Jan. 24, 2014.

* cited by examiner

Primary Examiner — Mimoso De

(74) *Attorney, Agent, or Firm* — Ernesto Garcia

(57) **CLAIM**

I claim the ornamental design for a shoe-exhibit, as shown.

DESCRIPTION

FIG. 1 is a perspective view, from one side, of a shoe-exhibit showing my new design;

FIG. 2 is a perspective view, from an opposite side, showing the inside of the shoe-exhibit;

FIG. 3 is a front view thereof;

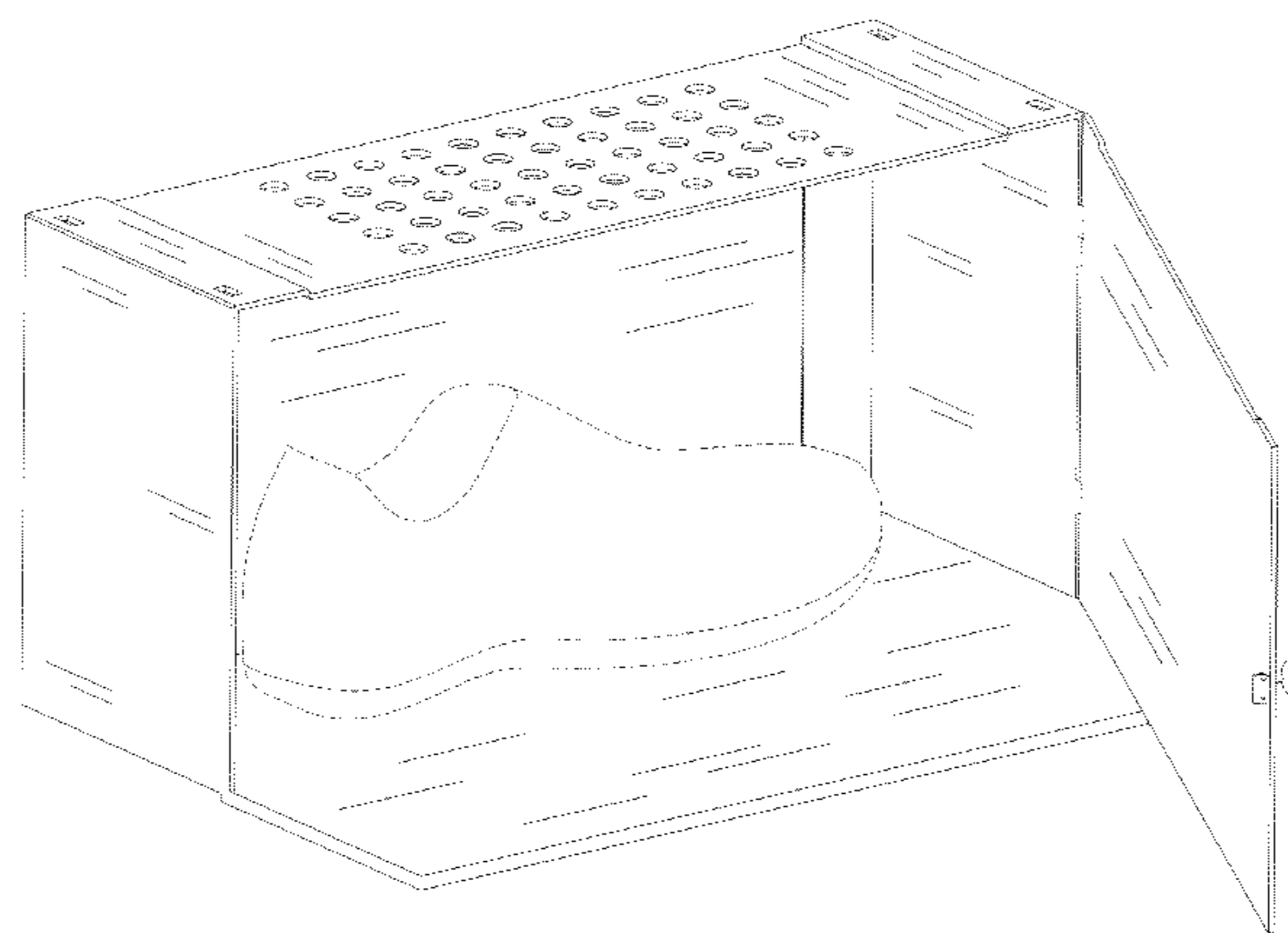
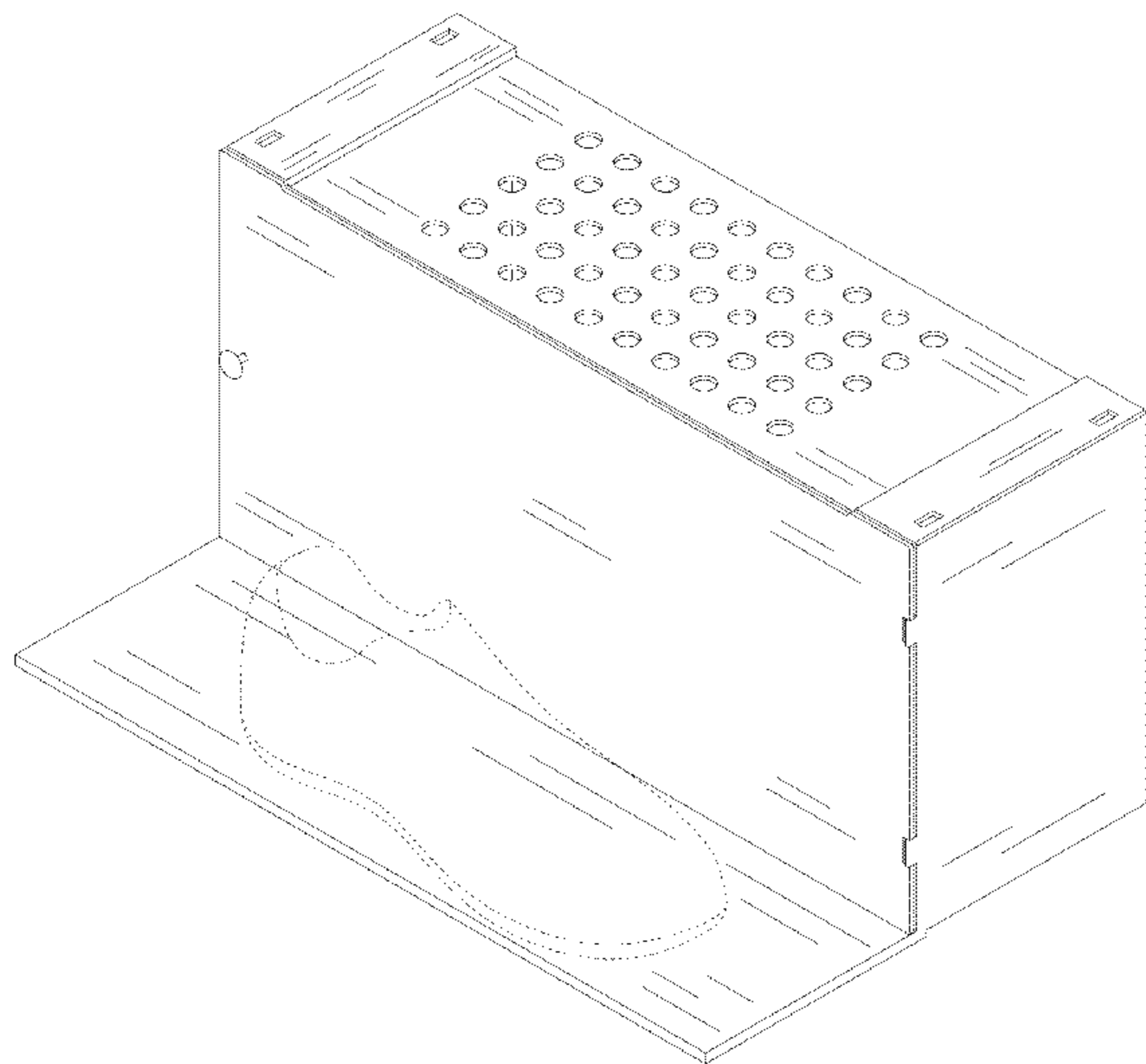
FIG. 4 is a top plan view thereof;

FIG. 5 is a bottom plan view thereof; and,

FIG. 6 is a right side view thereof.

The broken lines showing of the shoe in the drawing are for illustrative purposes only and form no part of the claimed design.

1 Claim, 3 Drawing Sheets



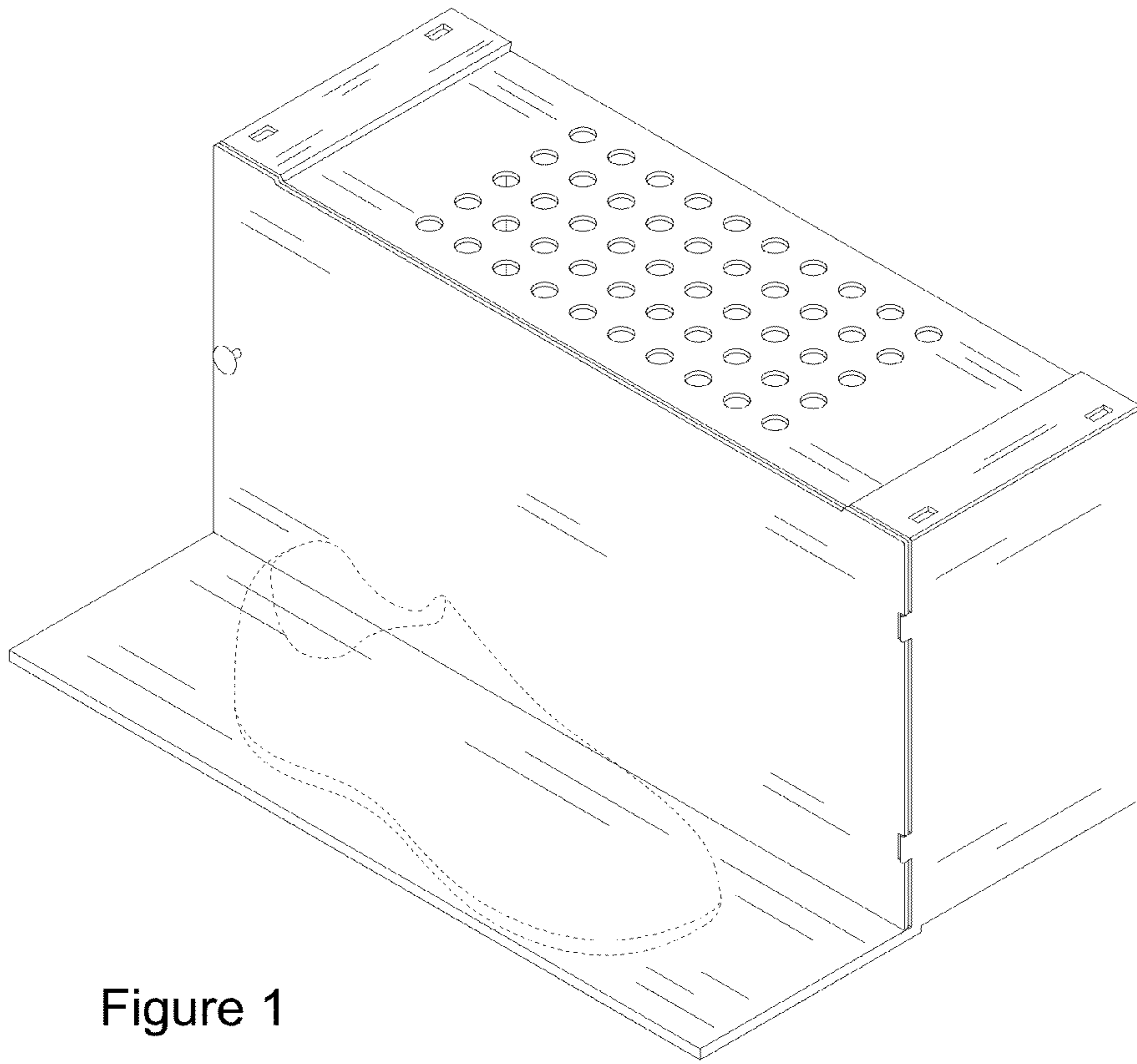


Figure 1

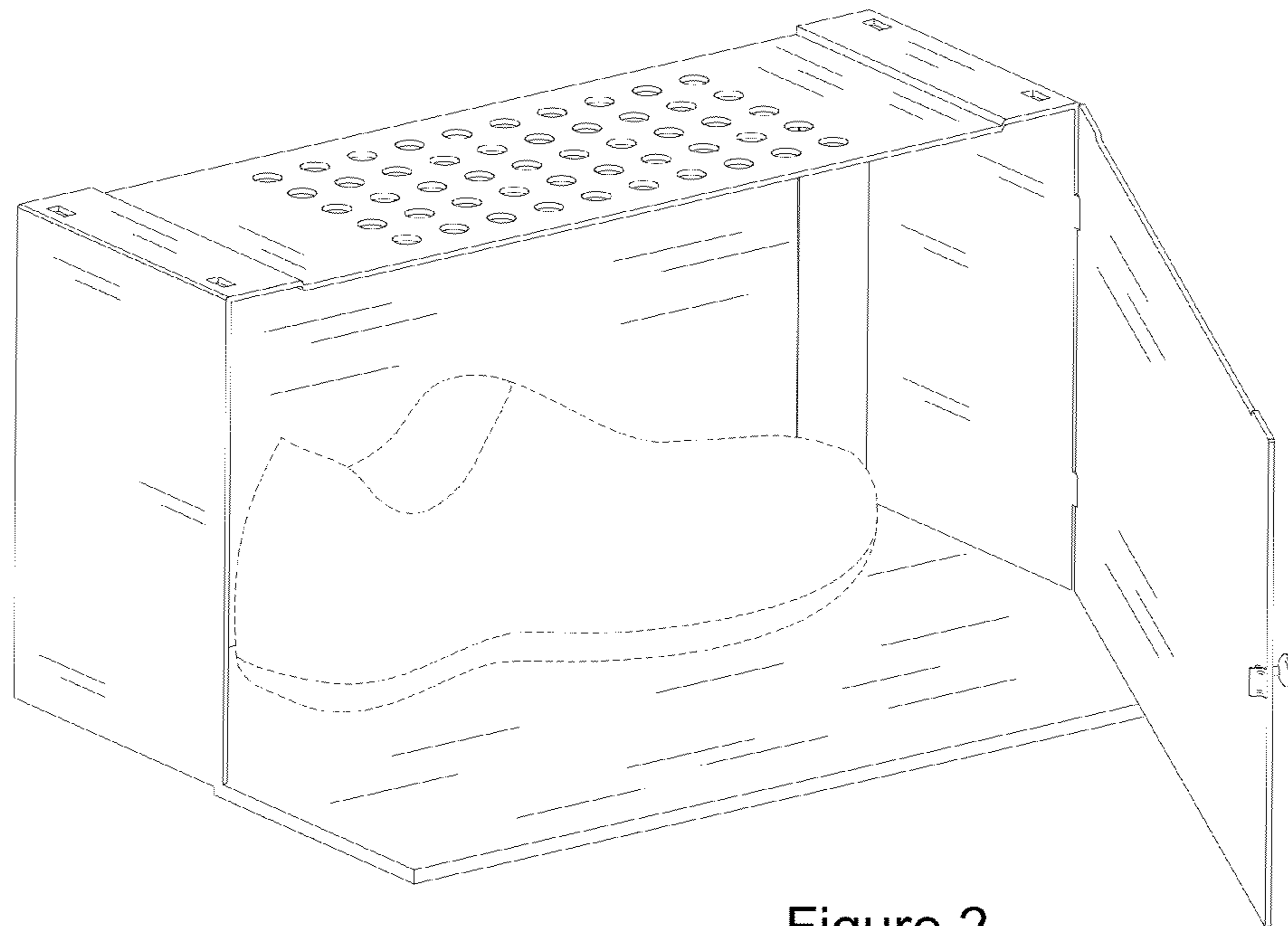


Figure 2

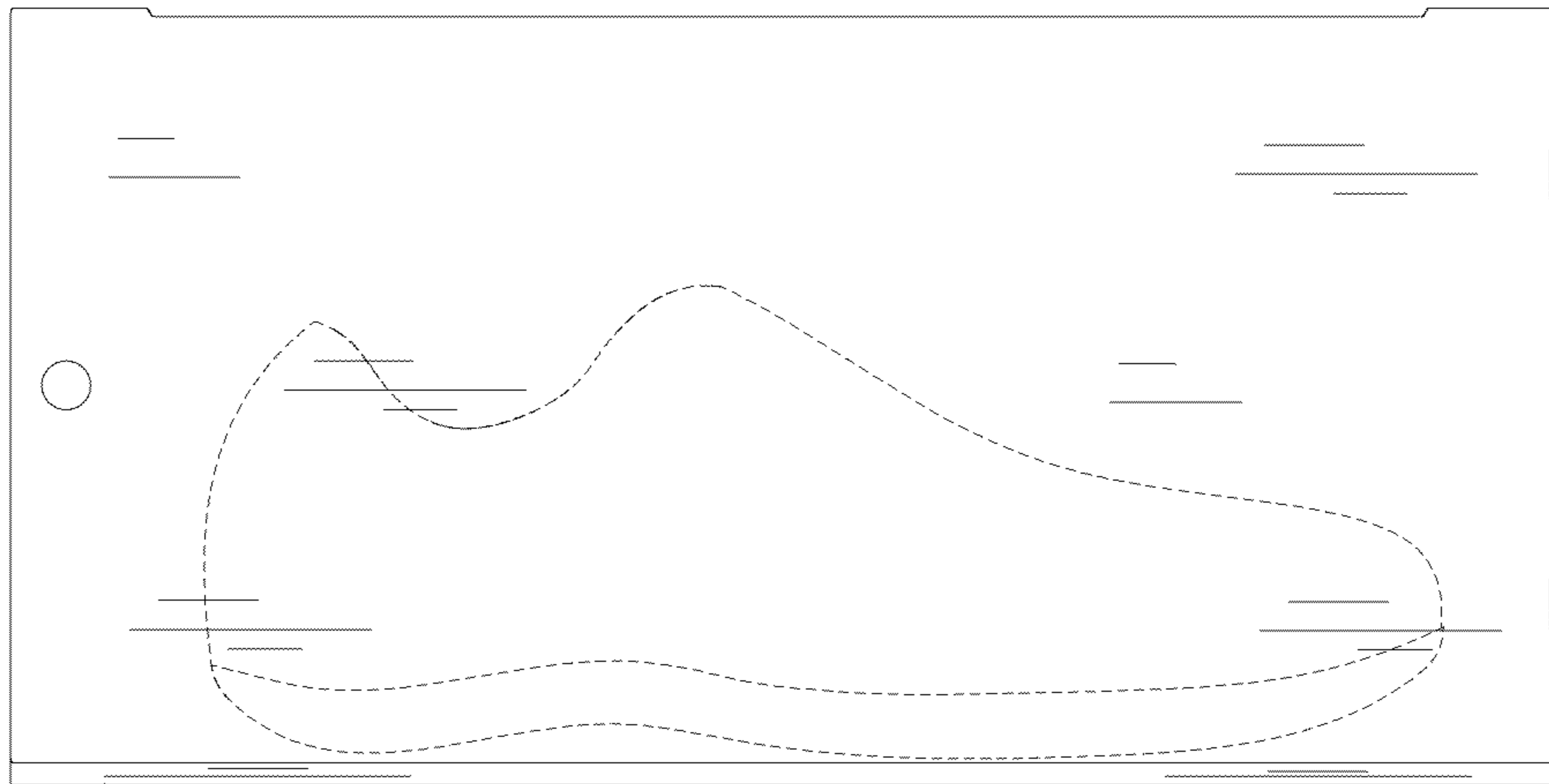


Figure 3

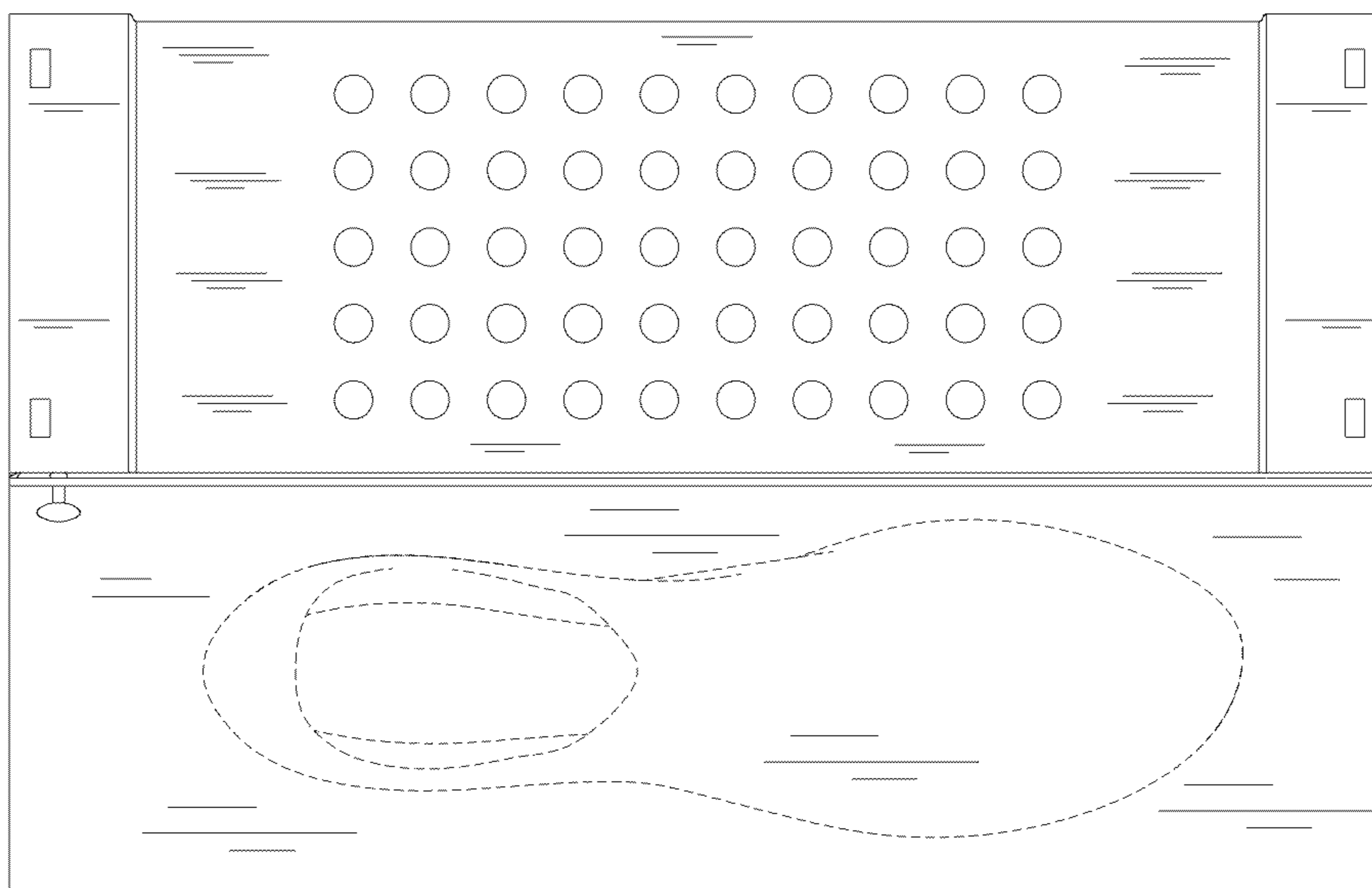


Figure 4

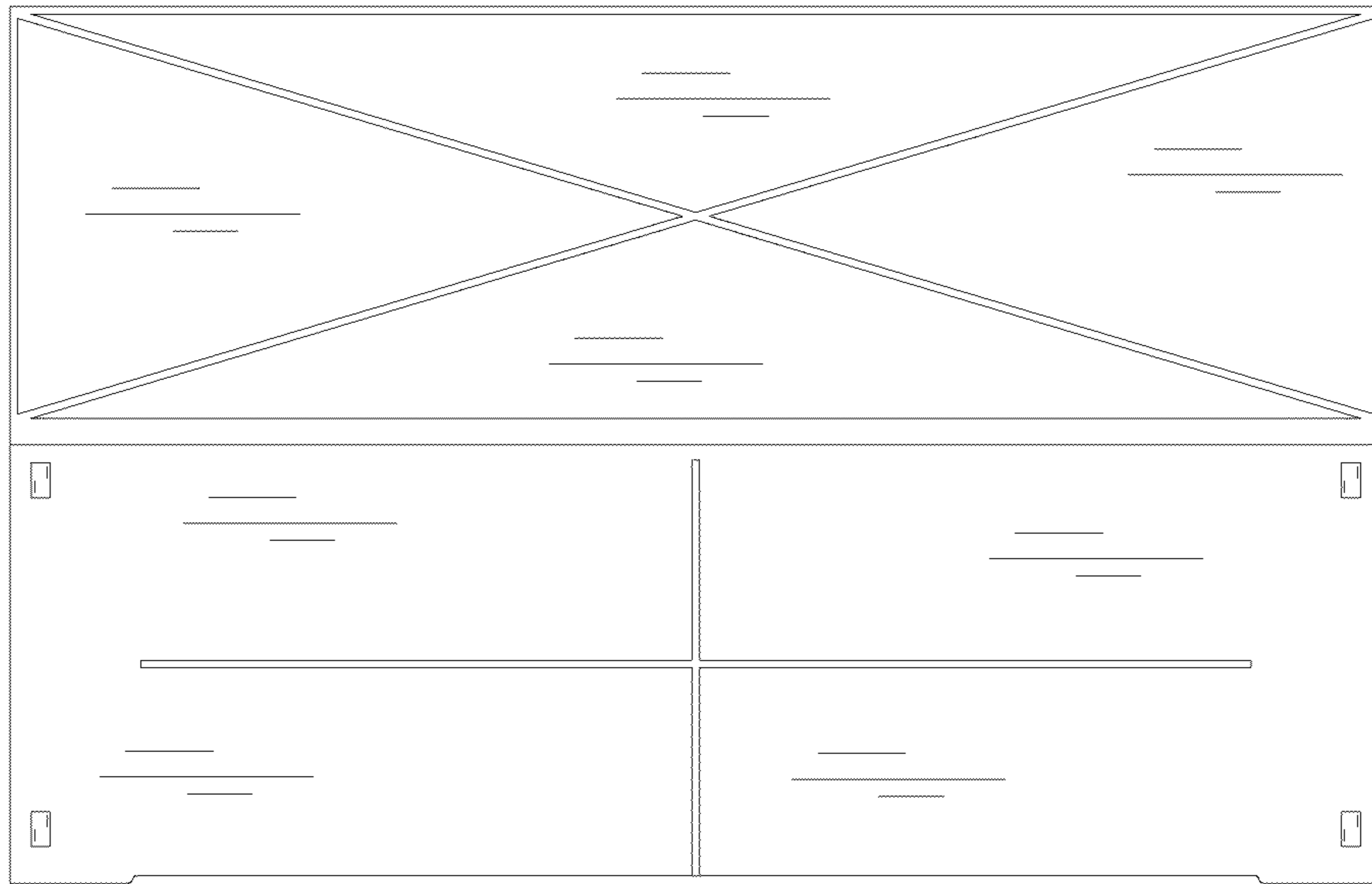


Figure 5

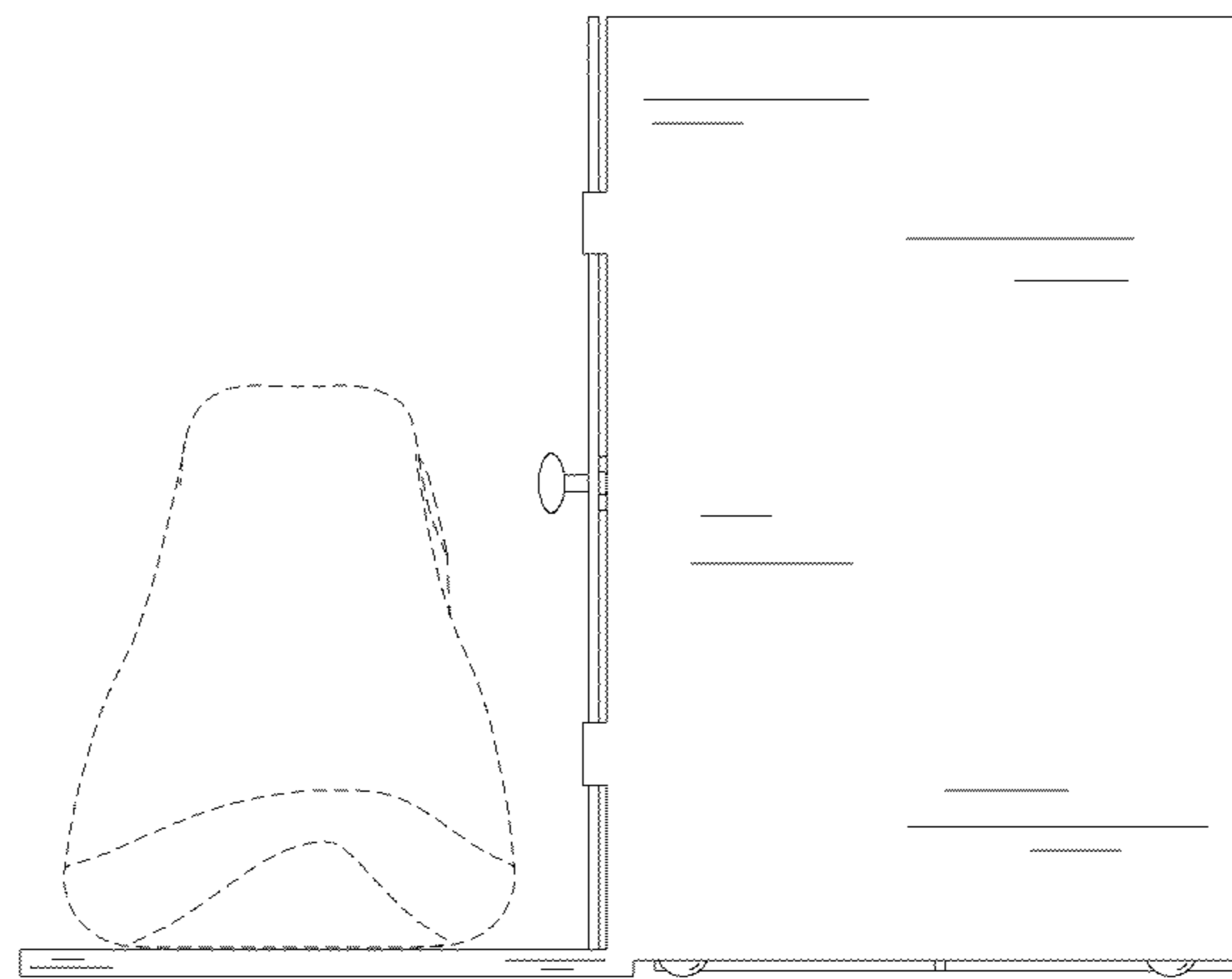


Figure 6