



US00D717082S

(12) **United States Design Patent**
Dworman

(10) **Patent No.:** **US D717,082 S**

(45) **Date of Patent:** **** Nov. 11, 2014**

(54) **TABLE WITH HIDDEN COMPARTMENTS**

Primary Examiner — Ricky Pham

(71) Applicant: **Matthew B. Dworman**, E. Kingston, NH (US)

(72) Inventor: **Matthew B. Dworman**, E. Kingston, NH (US)

(**) Term: **14 Years**

(21) Appl. No.: **29/469,902**

(22) Filed: **Oct. 15, 2013**

(51) **LOC (10) Cl.** **06-04**

(52) **U.S. Cl.**

USPC **D6/657**

(58) **Field of Classification Search**

USPC D6/631, 657–661, 662.1, 663–664, D6/664.1, 668.2, 670–671, 671.1, 671.2, D6/675.1–675.3, 681, 688.11, 691.1, D6/691.2, 691.8, 691.9, 697, 702–703, D6/703.2–703.4, 705.5, 705.7; D16/230; 312/138.1, 204, 217, 224, 257.1, 312/265.3, 265.6, 293.2, 384.4

See application file for complete search history.

(56) **References Cited**

U.S. PATENT DOCUMENTS

D113,318 S *	2/1939	Barnett	D16/230
D204,990 S *	6/1966	Keln et al.	D6/448
D226,157 S *	1/1973	Winrow	D6/488
5,944,396 A *	8/1999	Stephan	312/204
D457,748 S *	5/2002	Wistehuff, Sr.	D6/436
D493,051 S *	7/2004	Restemayer	D6/484

(Continued)

OTHER PUBLICATIONS

Q-Line Design SafeGuard Shelving System, screenshots and transcript written Matthew B. Dworman; posted on You Tube and website www.qlinedesign.com on Oct. 16, 2012.

(Continued)

(57) **CLAIM**

The ornamental design for a table with hidden compartments, as shown and described.

DESCRIPTION

This invention relates to the following applications, filed on the even date herewith, and herein incorporated by reference: U.S. application Ser. No. 29/469,901, entitled Double Shelving System with Hidden Compartments, by Matthew B. Dworman;

U.S. application Ser. No. 29/469,900, entitled Cabinet with Hidden Compartments, by Matthew B. Dworman;

U.S. application Ser. No. 29/469,898, entitled Shelving System with Hidden Compartments, by Matthew B. Dworman; and

U.S. application Ser. No. 29/469,897, entitled Desk with Hidden Compartments, by Matthew B. Dworman.

FIG. 1 is a perspective view of a table of my new design, the table for use as an end table or a nightstand, having hidden compartments, and shown in FIG. 1 with its compartments being in a closed condition;

FIG. 2 is a front elevational view thereof;

FIG. 3 is a side elevational view of the table of FIG. 1 as viewed from its left side, with its right side being a mirror image thereof;

FIG. 4 is a rear elevational view thereof;

FIG. 5 is a top plan view thereof;

FIG. 6 is a bottom plan view thereof;

FIG. 7 is a perspective view of the table of FIG. 1 with its compartments shown in an open condition;

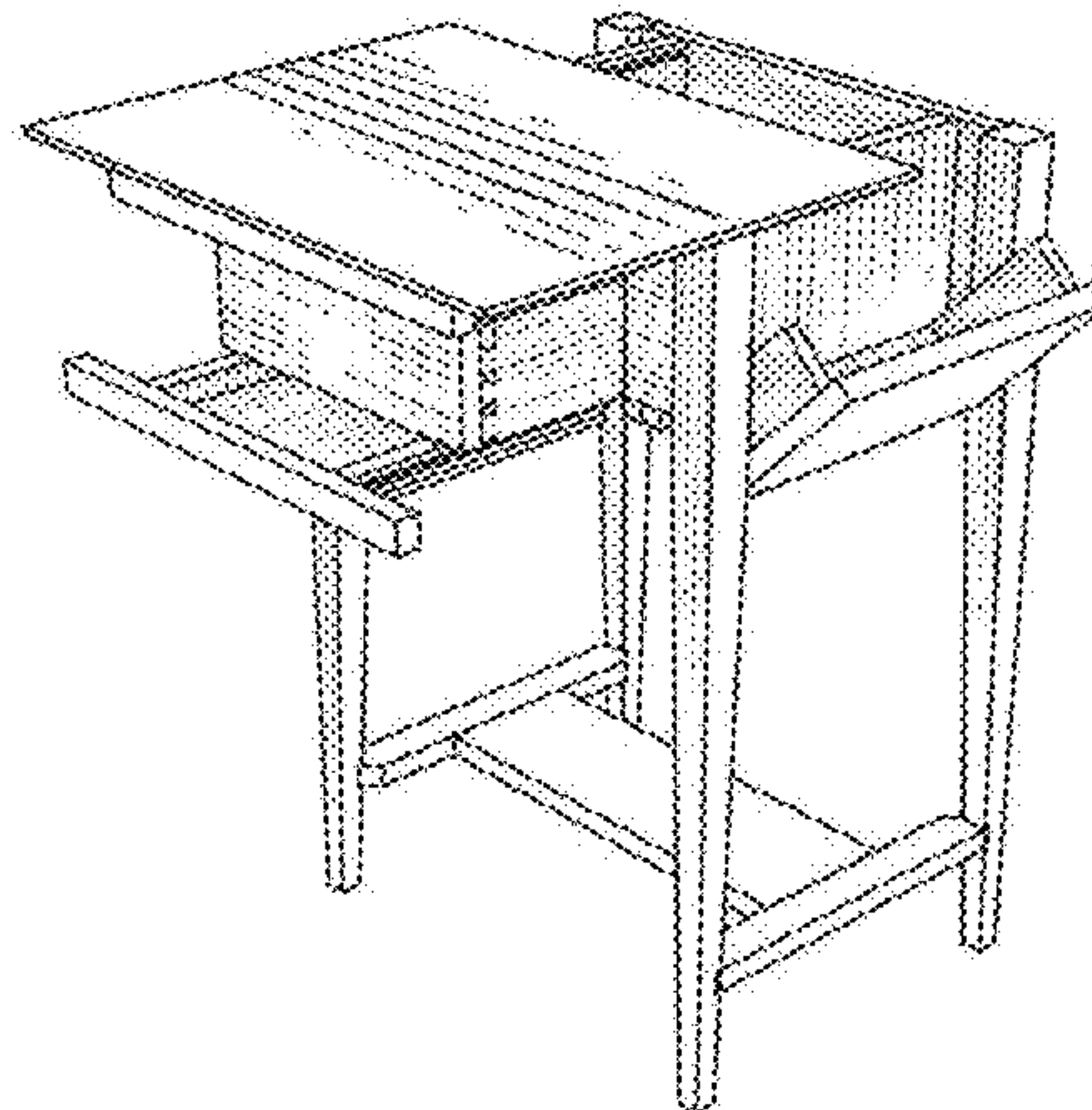
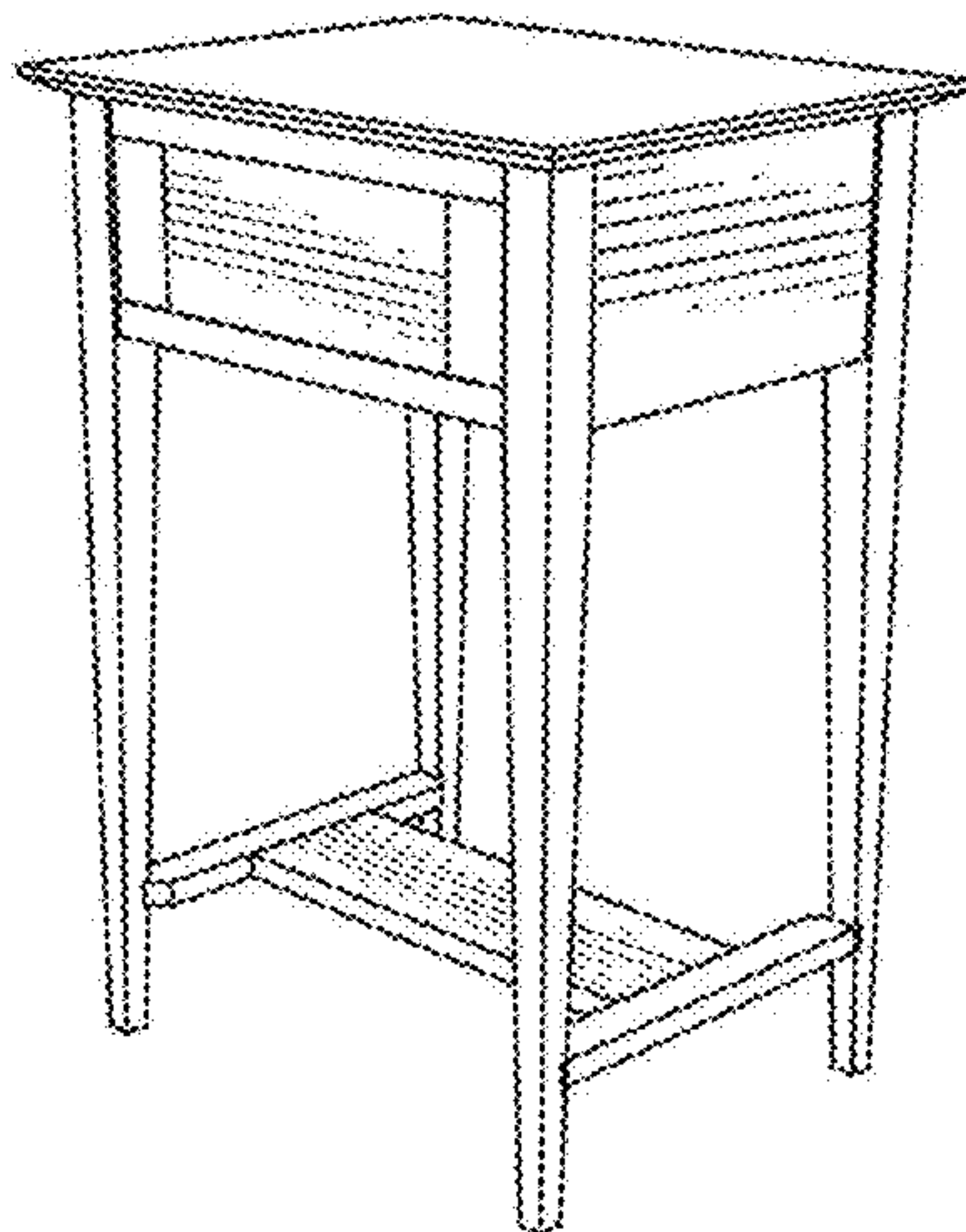
FIG. 8 is a front elevational view of the table of FIG. 7;

FIG. 9 is a side elevational view of the table of FIG. 7 from its left side, with its right side being a mirror image thereof;

FIG. 10 is a top plan view of the table of FIG. 7; and,

FIG. 11 is a bottom plan view of the table of FIG. 7.

1 Claim, 11 Drawing Sheets



(56)

References Cited

U.S. PATENT DOCUMENTS

D496,804 S *	10/2004	Peterson et al.	D6/436
D513,908 S *	1/2006	Bibi	D6/480
D513,909 S *	1/2006	Bibi	D6/484
D549,490 S *	8/2007	Brimacombe et al.	D6/480
D563,117 S *	3/2008	Mayer et al.	D6/436
D575,964 S *	9/2008	Liu	D6/432
D663,973 S *	7/2012	Sullivan	D6/484

OTHER PUBLICATIONS

Q-Line Design NightGuard End Table screenshots and transcript written Matthew B. Dworman; posted on You Tube and website www.qlinedesign.com on Nov. 16, 2012.

Q-Line Design Entertainment Media Center screenshots and transcript written Matthew B. Dworman; posted on You Tube and website www.qlinedesign.com on Jun. 20, 2013.

* cited by examiner

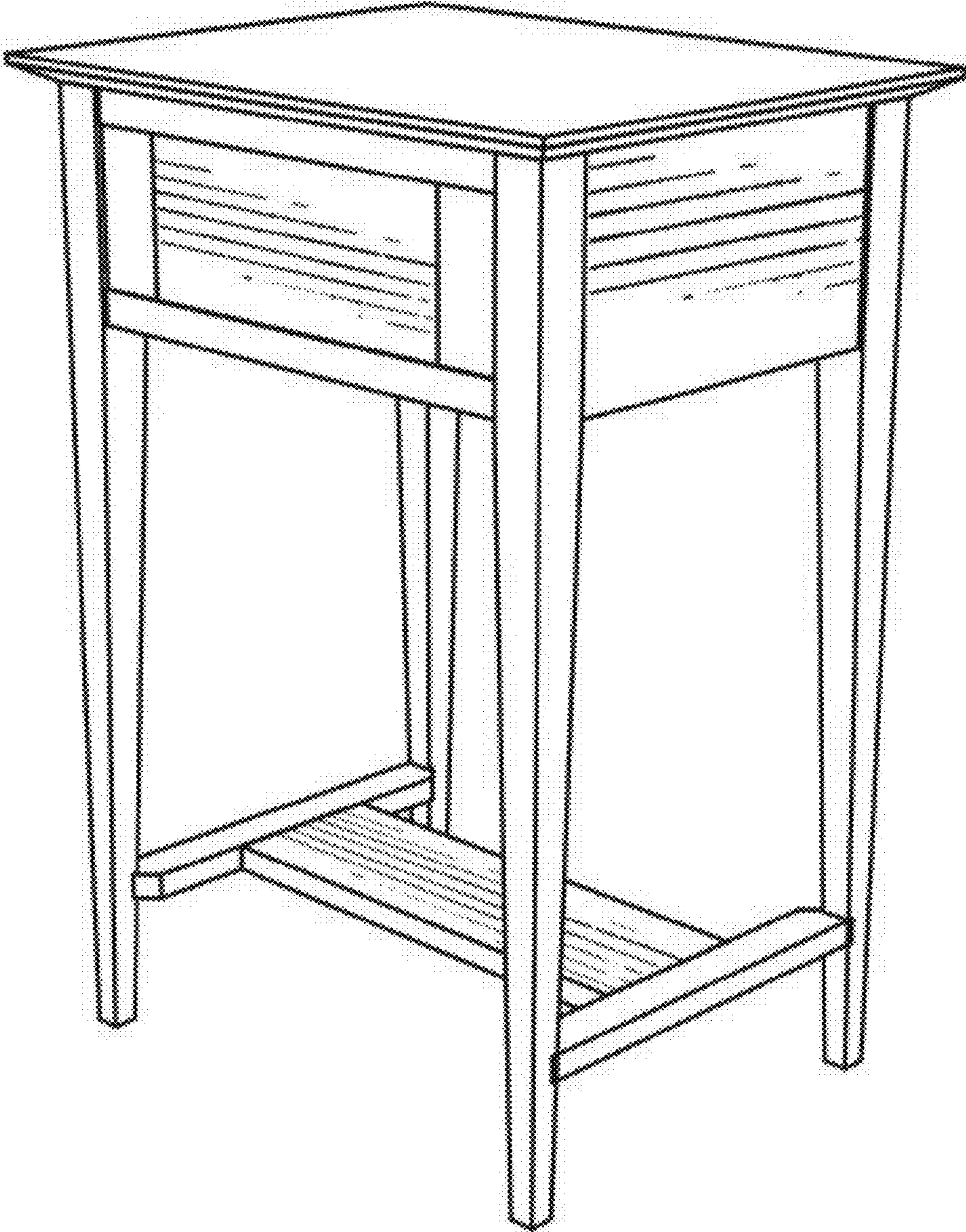


FIG. 1

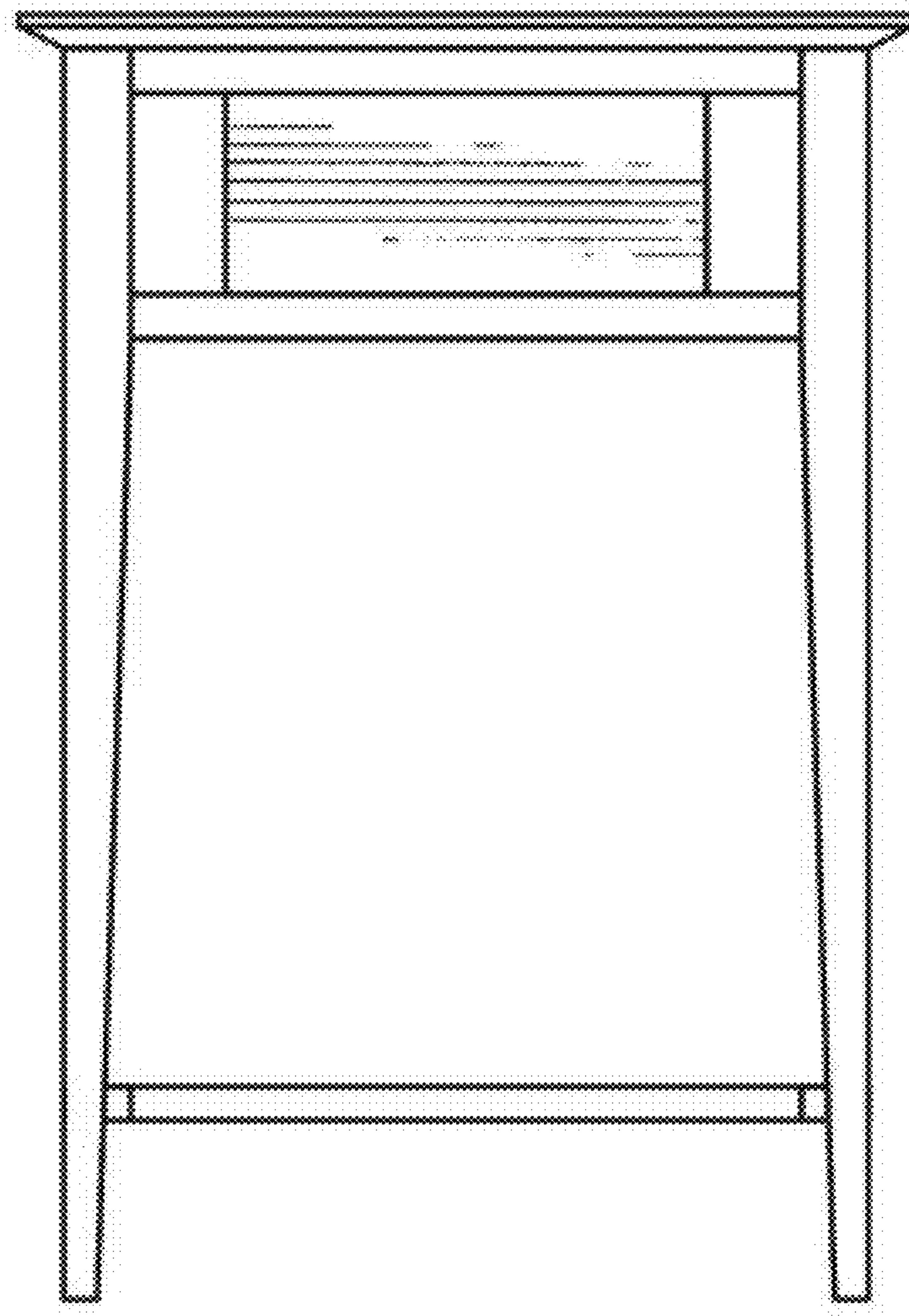


FIG. 2

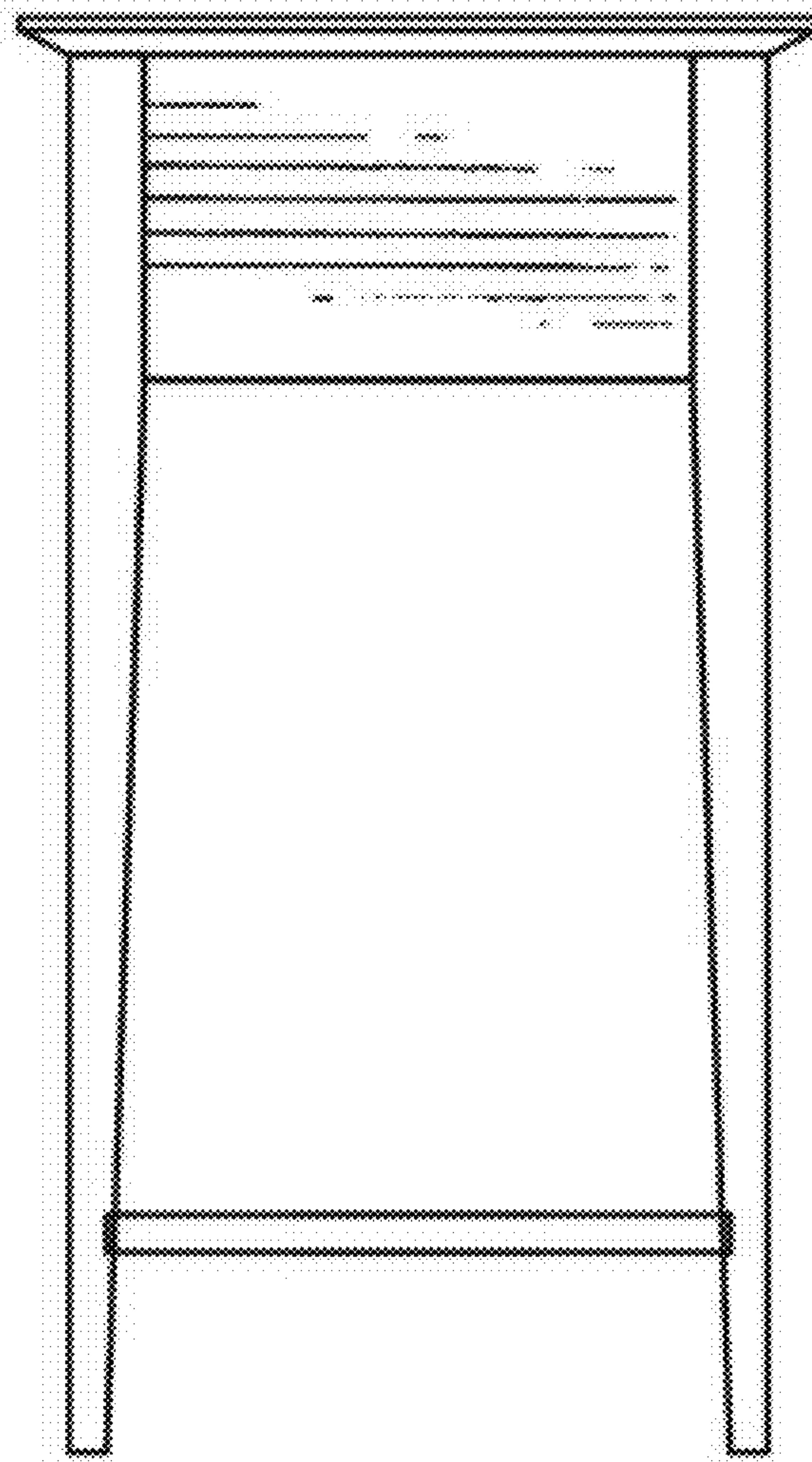


FIG. 3

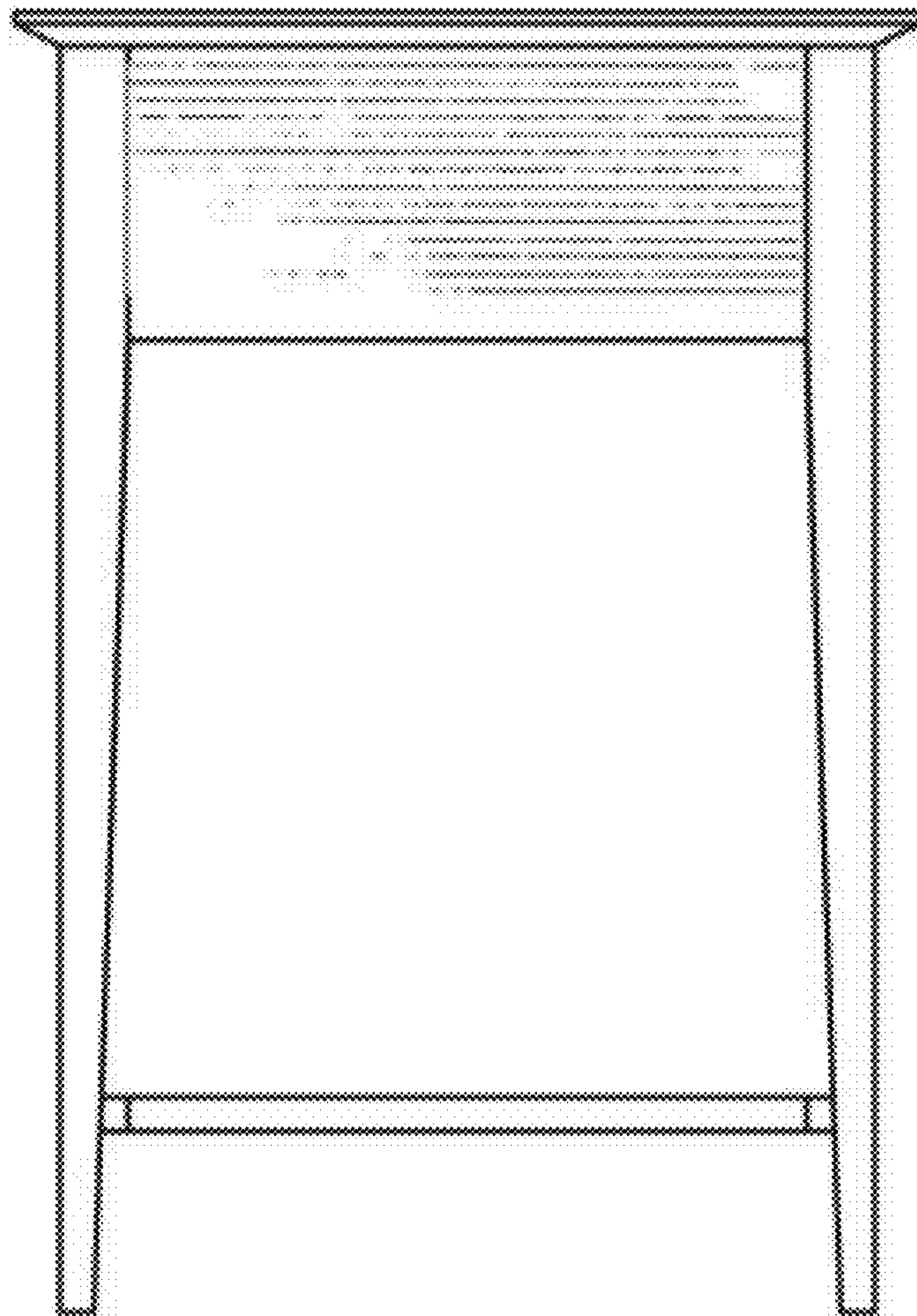


FIG. 4

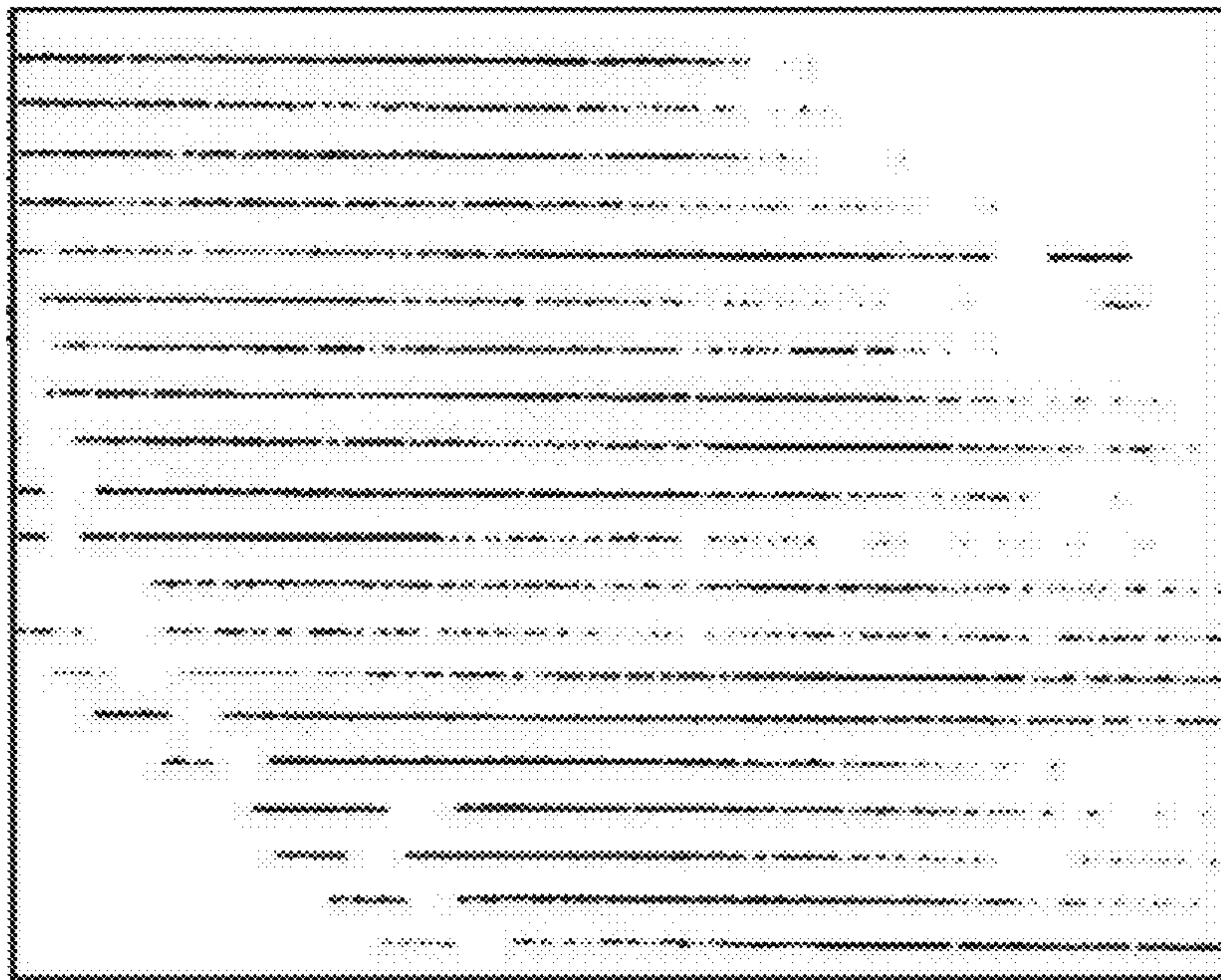


FIG. 5

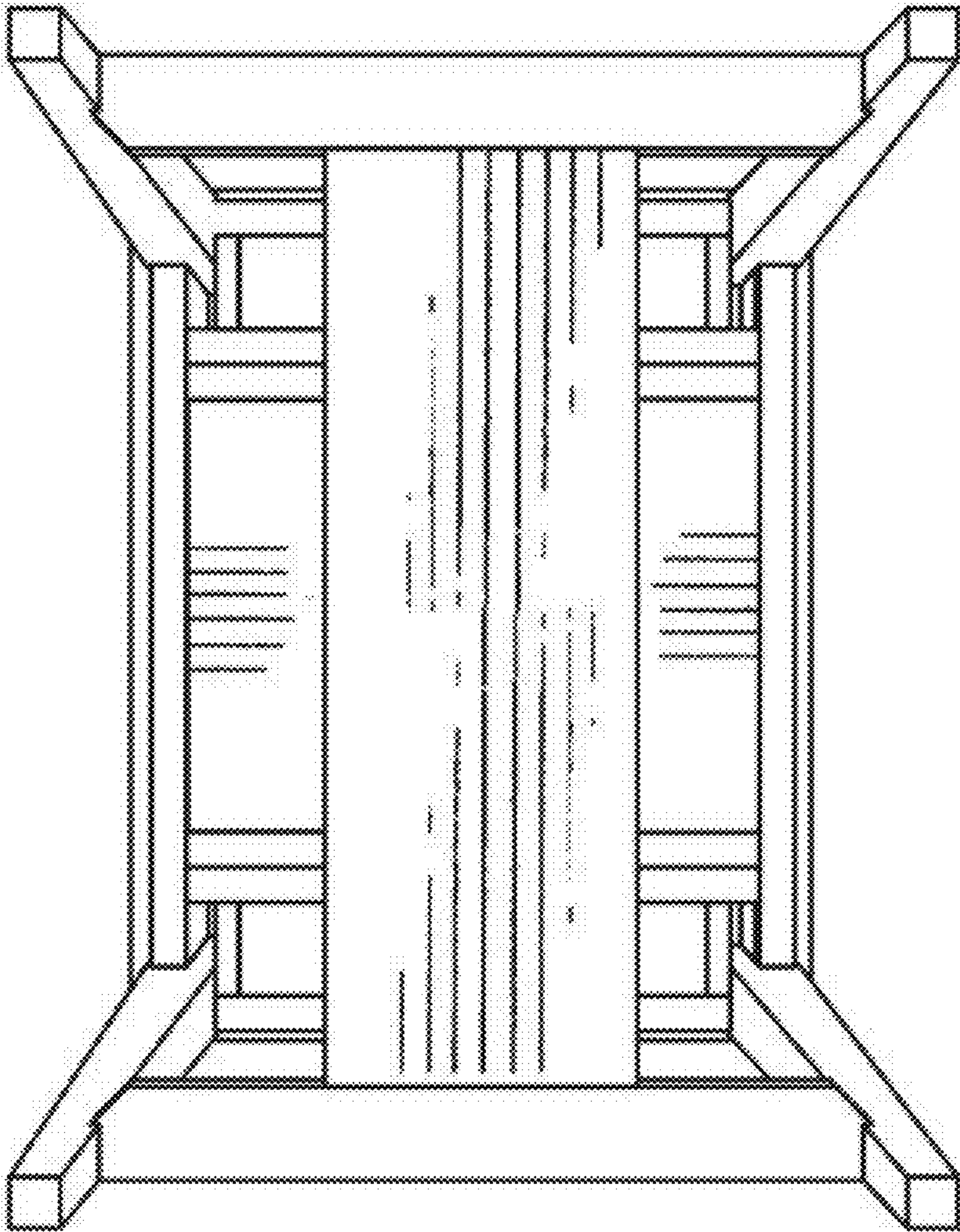


FIG. 6

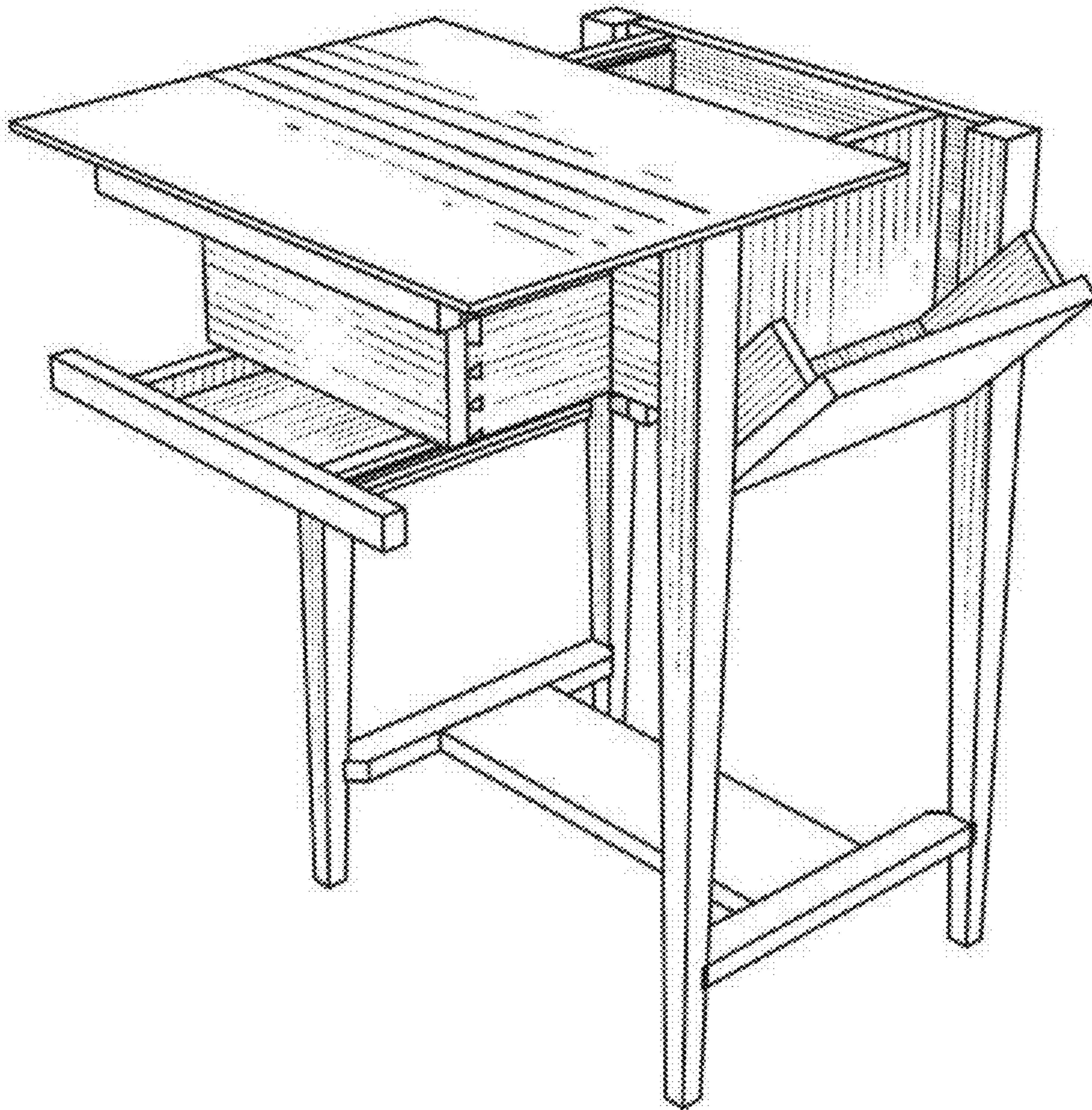


FIG. 7

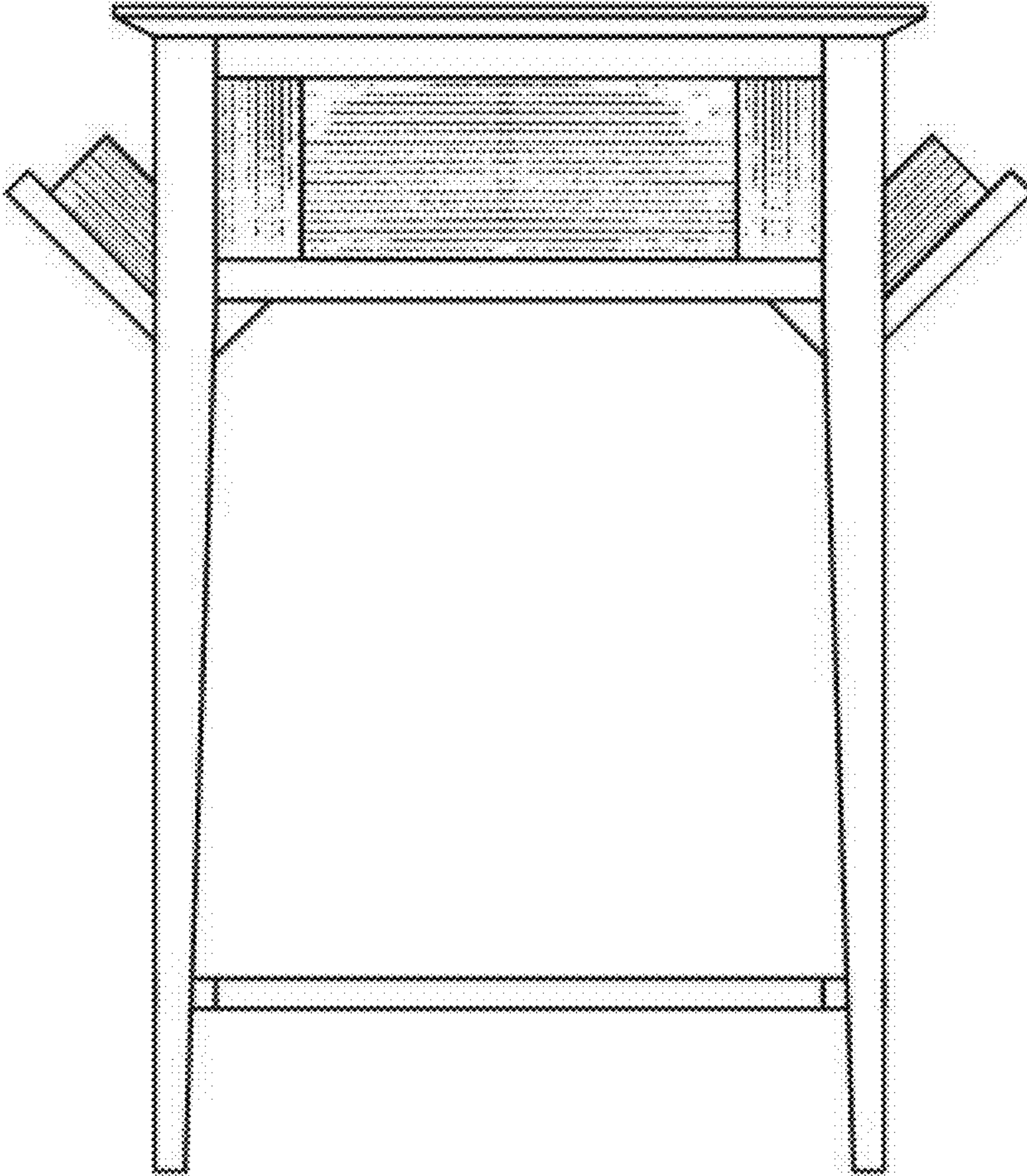


FIG. 8

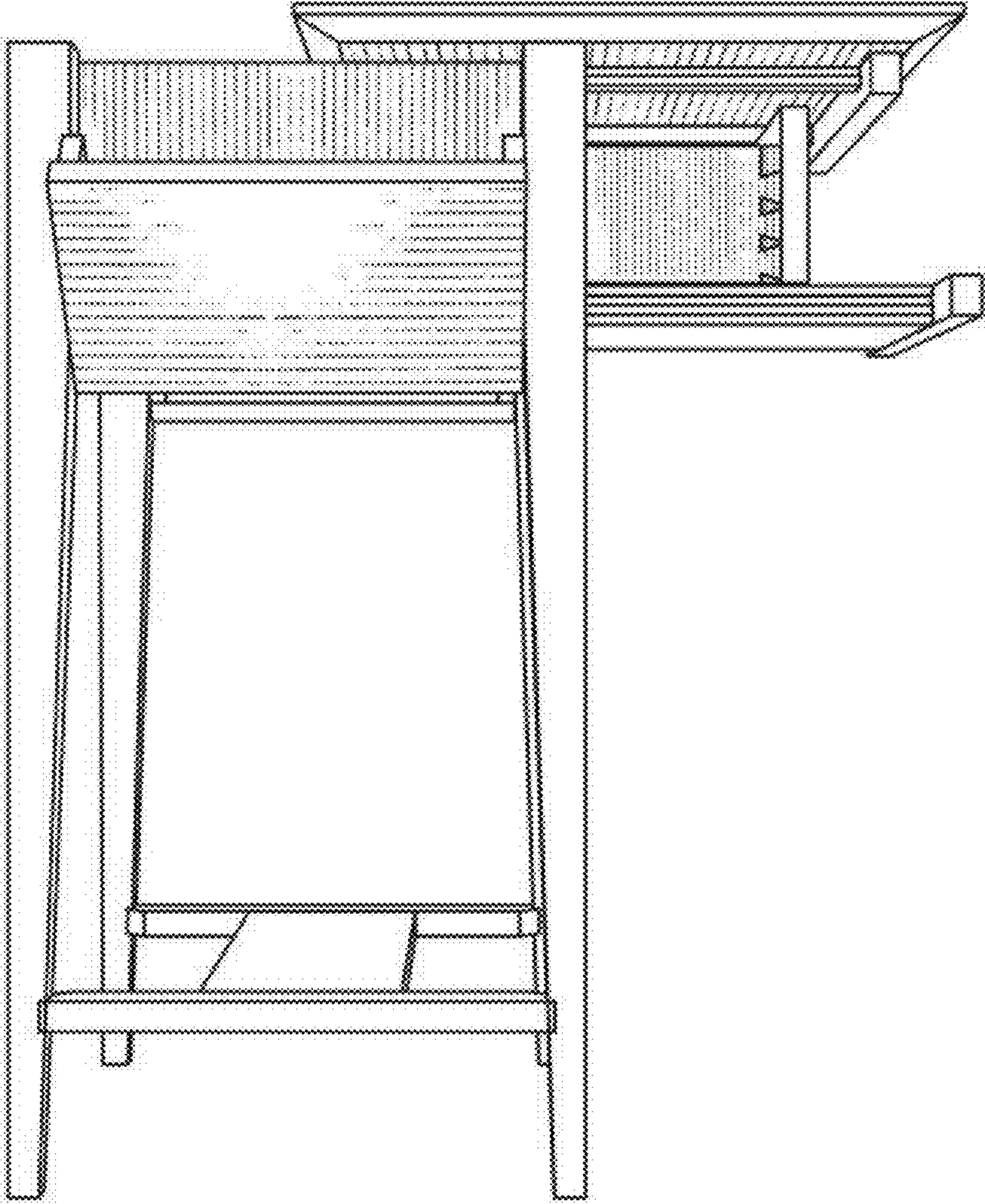


FIG. 9

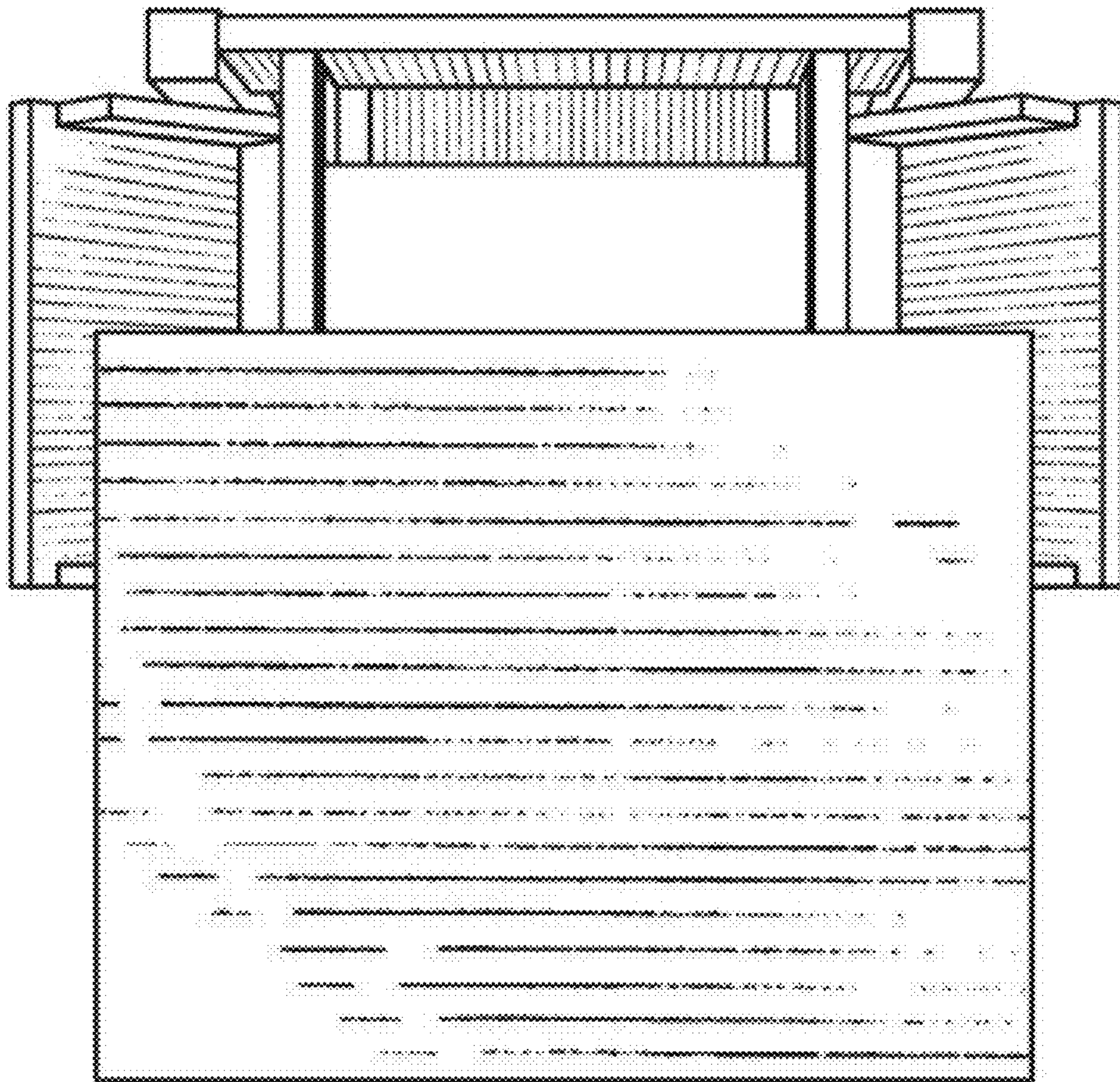


FIG. 10

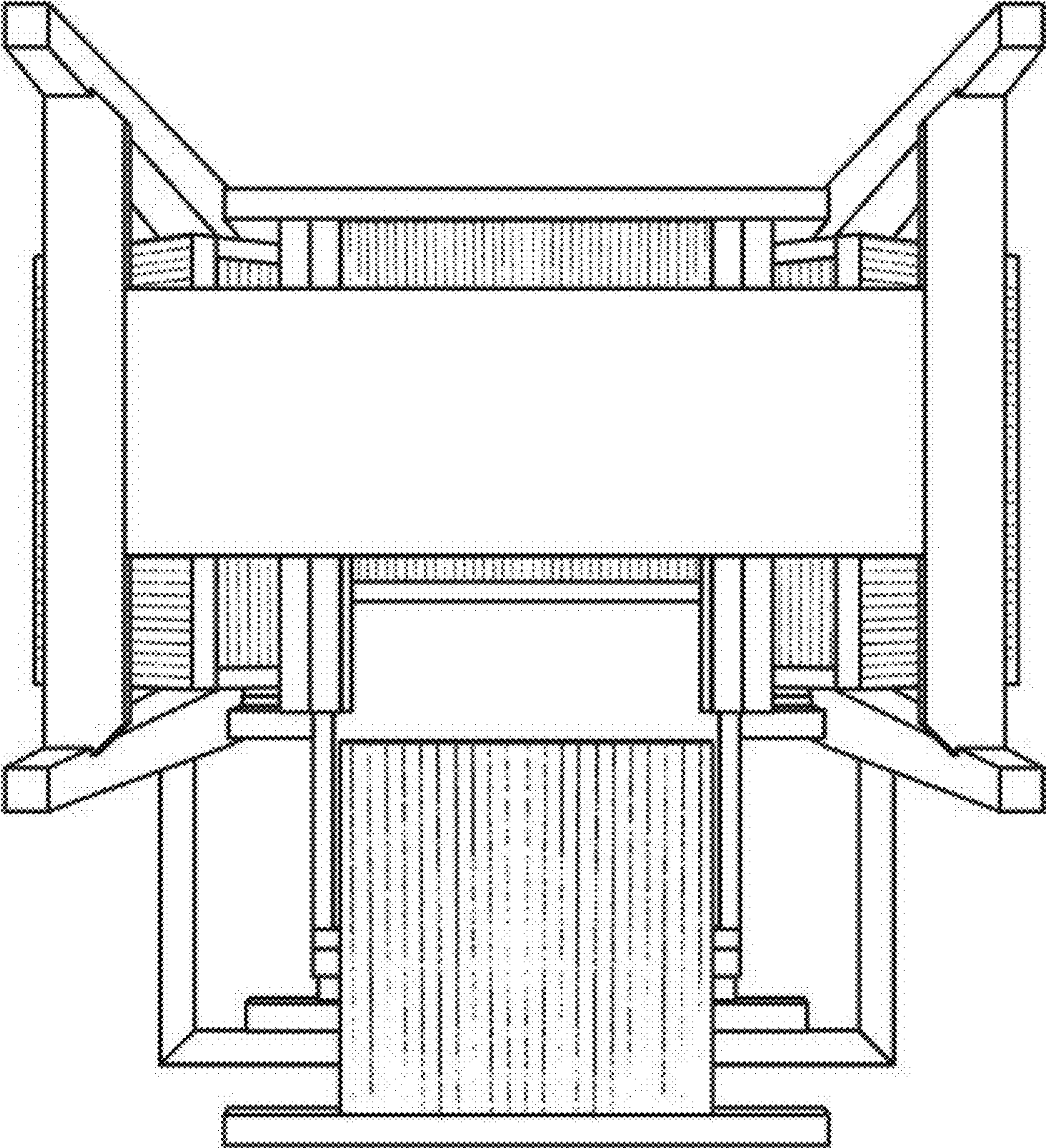


FIG. 11