



US00D717076S

(12) **United States Design Patent**  
**Drazin**

(10) **Patent No.:** **US D717,076 S**

(45) **Date of Patent:** **\*\* Nov. 11, 2014**

(54) **BATH PILLOW**

(71) Applicant: **Ami Drazin**, Cote St. Luc (CA)

(72) Inventor: **Ami Drazin**, Cote St. Luc (CA)

(73) Assignee: **3361781 Canada Inc.**, St. Laurent (CA)

(\*\*) Term: **14 Years**

(21) Appl. No.: **29/440,057**

(22) Filed: **Dec. 18, 2012**

(51) **LOC (10) Cl.** ..... **06-09**

(52) **U.S. Cl.**  
USPC ..... **D6/601**

(58) **Field of Classification Search**  
USPC ..... D6/595, 596, 601, 604, 716.4, 716.5;  
5/630, 636, 648, 652-655, 655.3,  
5/655.9, 656, 657.5; D23/304;  
297/452.26, 452.29, 452.3, 452.32,  
297/452.48; 4/575.1

See application file for complete search history.

(56) **References Cited**

**U.S. PATENT DOCUMENTS**

4,744,351	A *	5/1988	Grundeil et al.	602/19
5,140,713	A *	8/1992	Pesterfield	4/575.1
D433,855	S *	11/2000	Turner et al.	D6/502
D481,232	S *	10/2003	Turner et al.	D6/500
D513,571	S *	1/2006	Haack	D6/601
D603,632	S *	11/2009	Su	D6/502

**OTHER PUBLICATIONS**

Bed Bath and Beyond—Comfy Cool Gel Bead Bath Pillow customer reviews—product reviews, <http://reviews.bedbathandbeyond.com/2009/BBB18292840/reviews.htm>, publication date unknown, last accessed Dec. 18, 2012.

\* cited by examiner

*Primary Examiner* — Janice Seeger

(74) *Attorney, Agent, or Firm* — Wolf, Greenfield & Sacks, P.C.

(57) **CLAIM**

The ornamental design for a bath pillow, as shown and described.

**DESCRIPTION**

FIG. 1 is a top, front, left side perspective view of a first embodiment of the bath pillow;

FIG. 2 is a front elevational view of the bath pillow shown in FIG. 1;

FIG. 3 is a rear elevational view of the bath pillow shown in FIG. 1;

FIG. 4 is a top plan view of the bath pillow shown in FIG. 1;

FIG. 5 is a bottom plan view of the bath pillow shown in FIG. 1; and

FIG. 6 is a left side elevational view of the bath pillow shown in FIG. 1, the right side being a mirror image thereof.

FIG. 7 is a top, front, left side perspective view of a second embodiment of the bath pillow;

FIG. 8 is a front elevational view of the bath pillow shown in FIG. 7;

FIG. 9 is a rear elevational view of the bath pillow shown in FIG. 7;

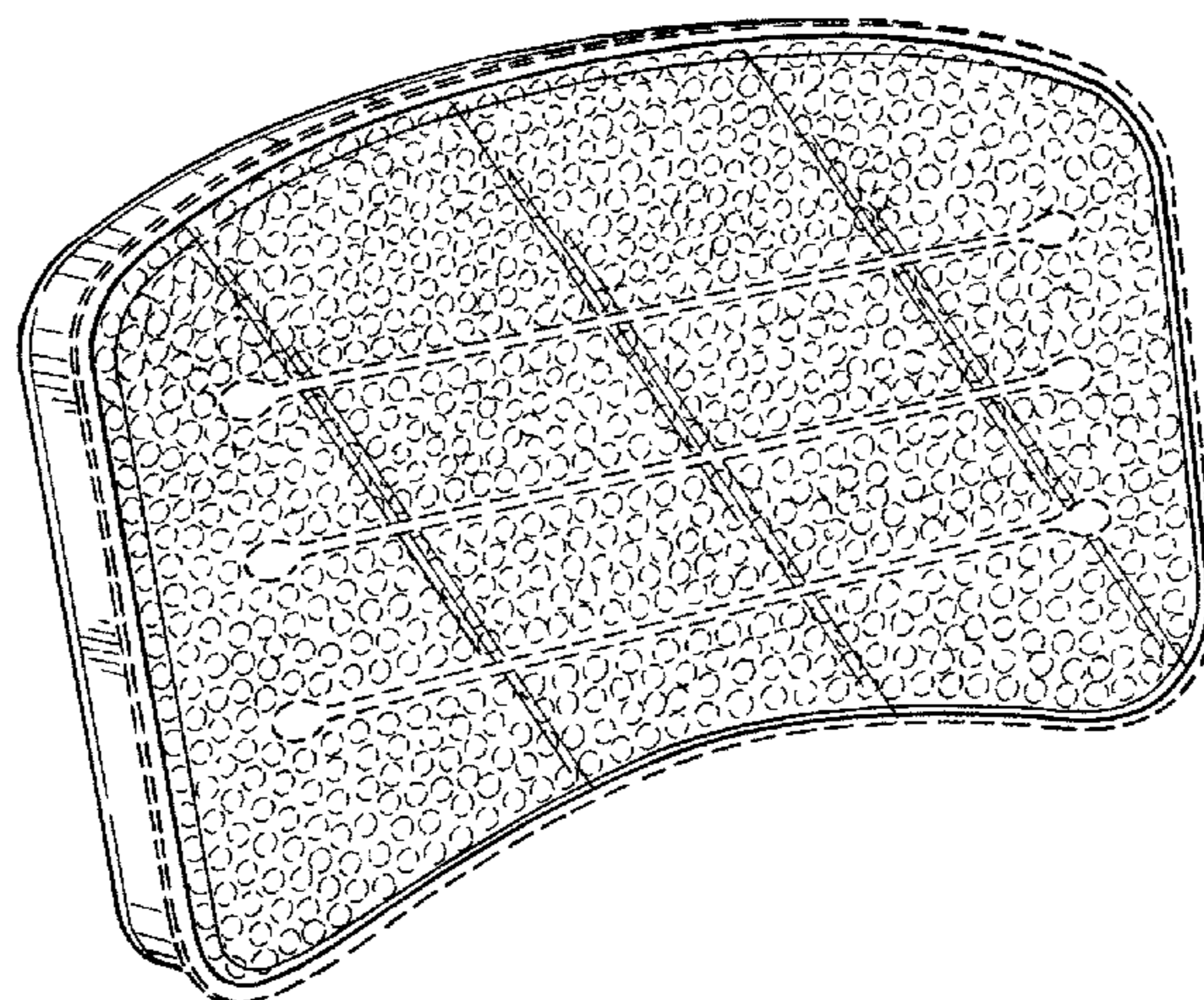
FIG. 10 is a top plan view of the bath pillow shown in FIG. 7;

FIG. 11 is a bottom plan view of the bath pillow shown in FIG. 7; and,

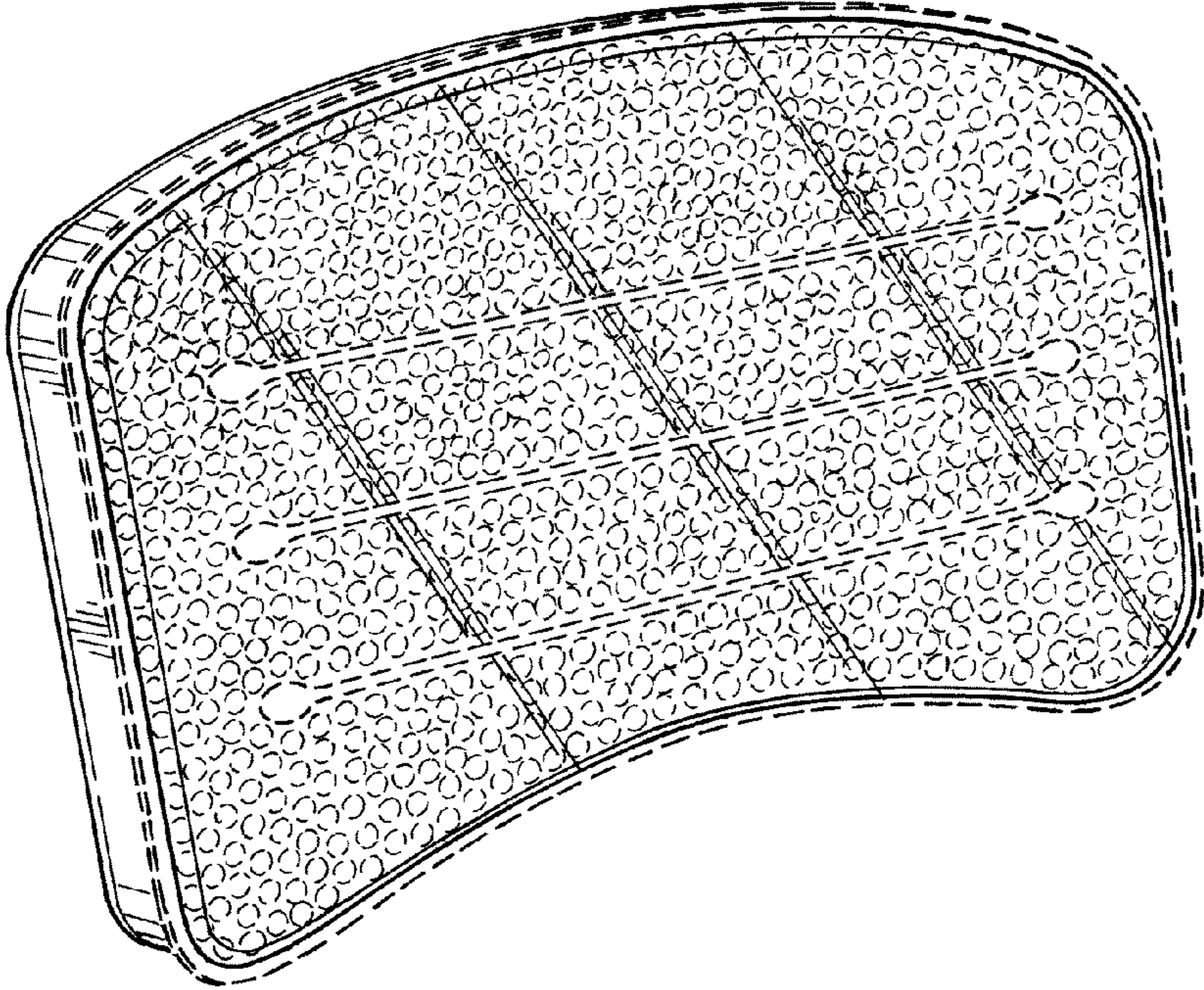
FIG. 12 is a left side elevational view of the bath pillow shown in FIG. 7, the right side being a mirror image thereof.

Any portions shown in dashed or broken lines are included for illustrative purposes only and form no part of the claimed design.

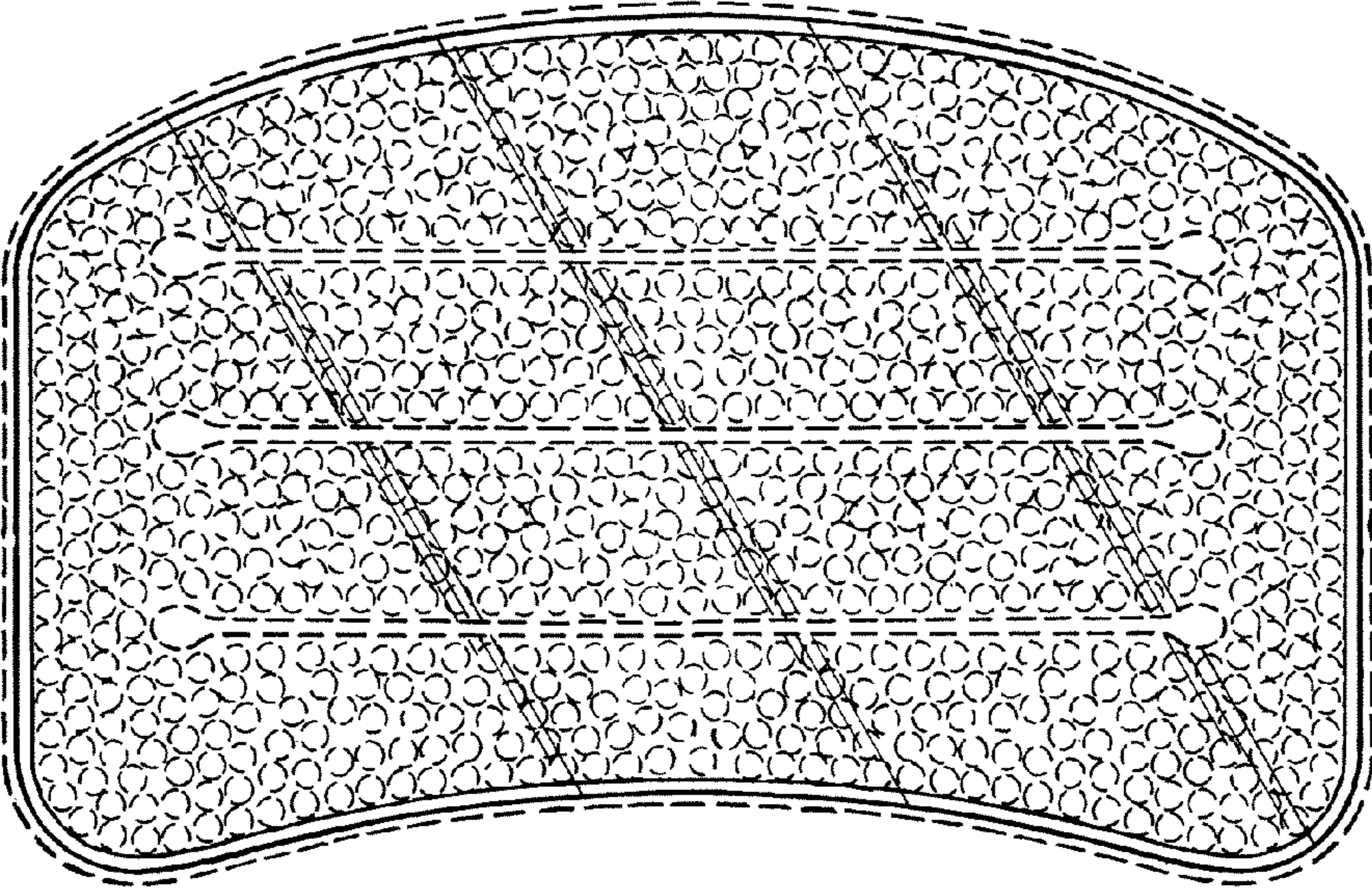
**1 Claim, 6 Drawing Sheets**



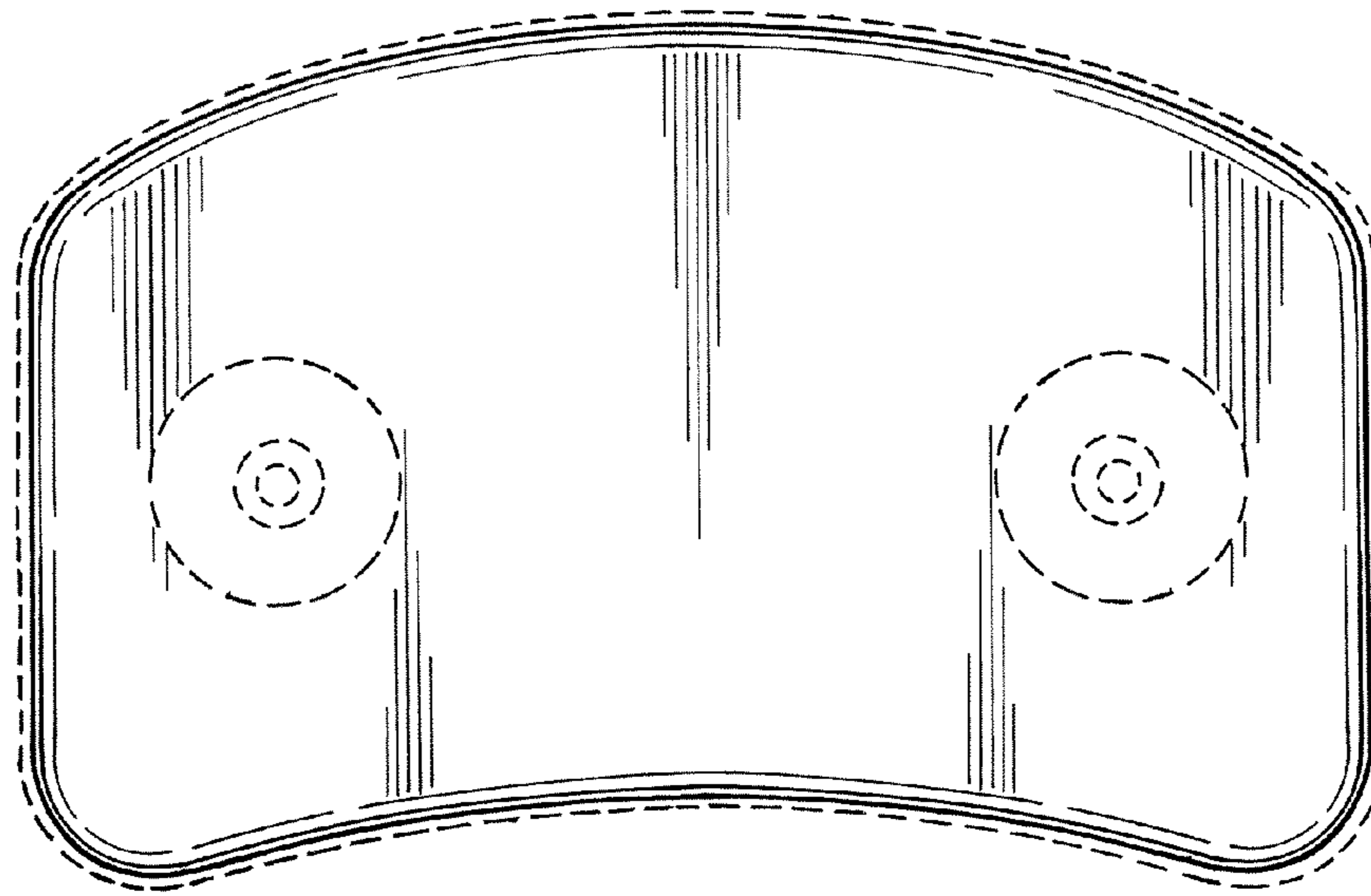




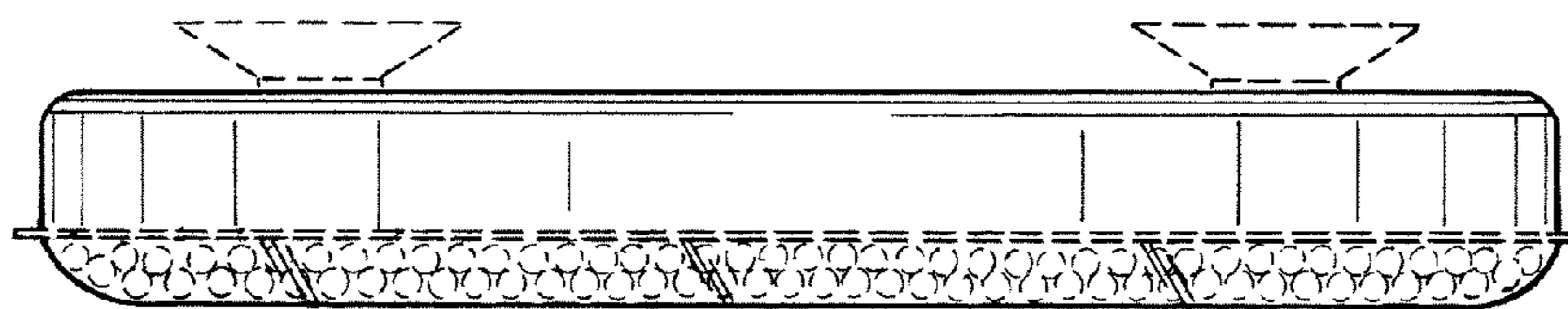
*Fig. 1*



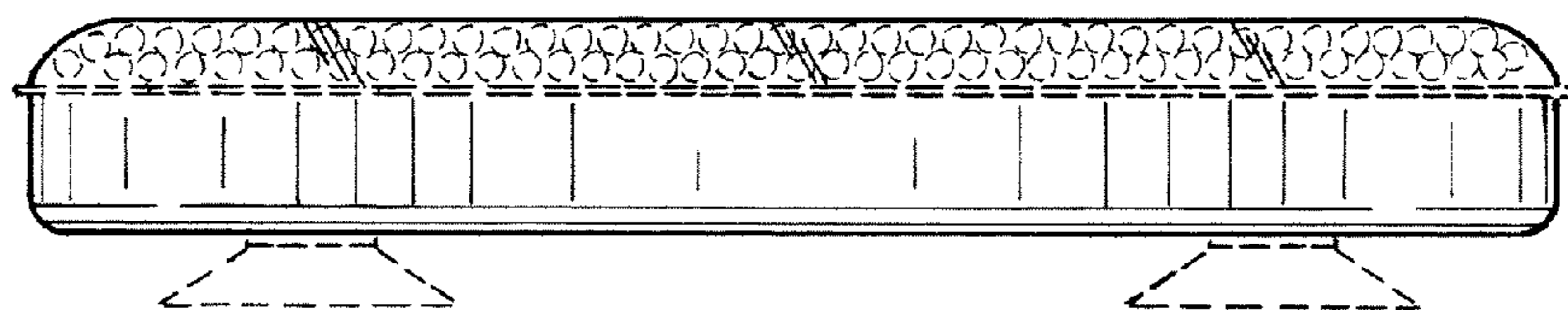
*Fig. 2*



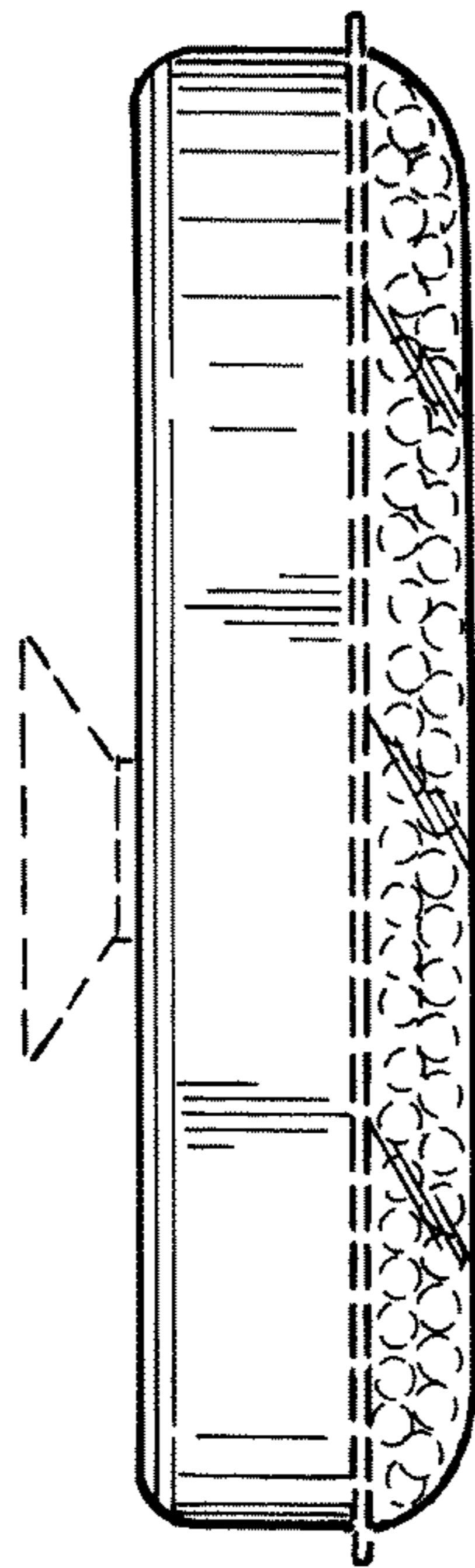
*Fig. 3*



*Fig. 4*

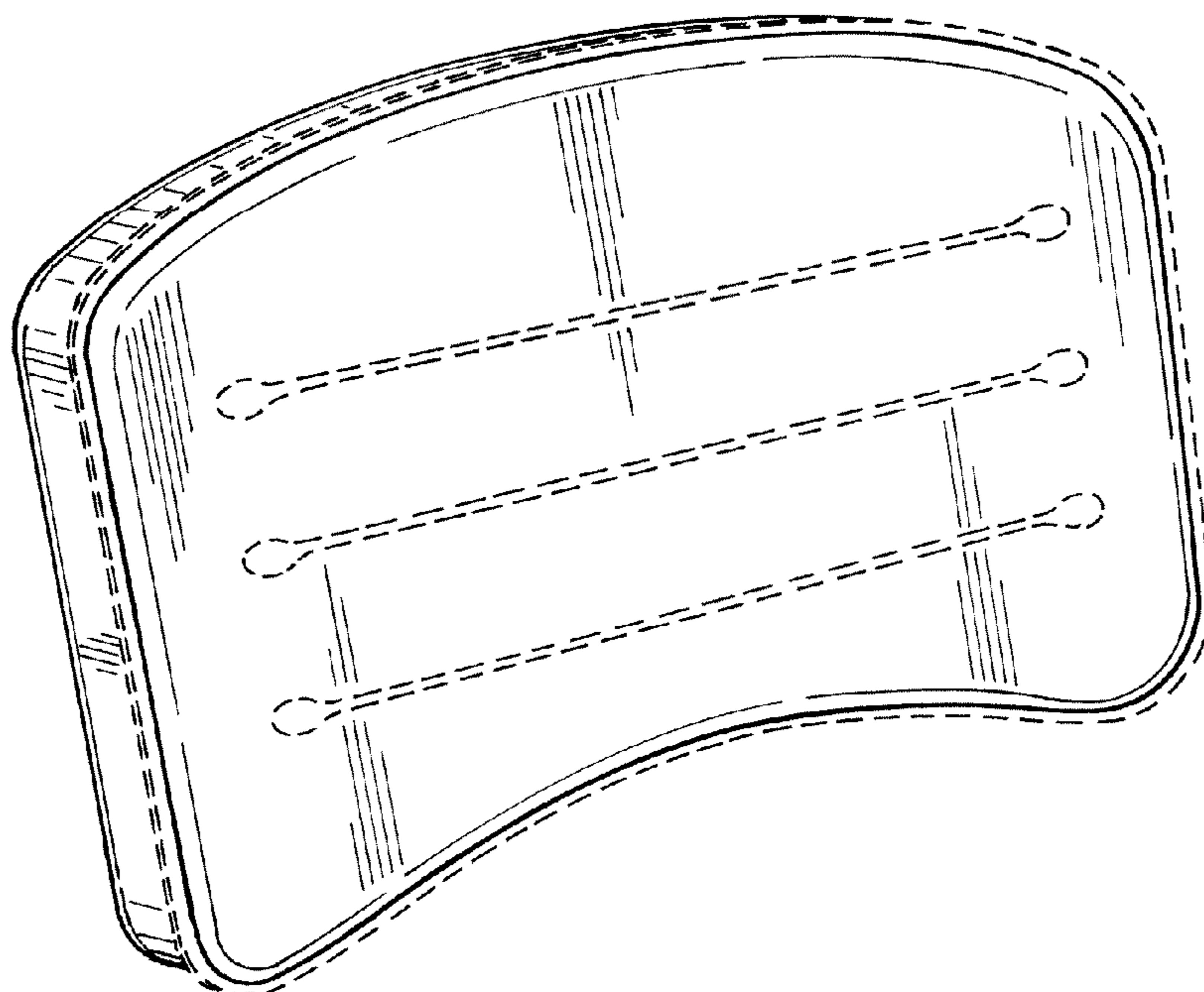


*Fig. 5*

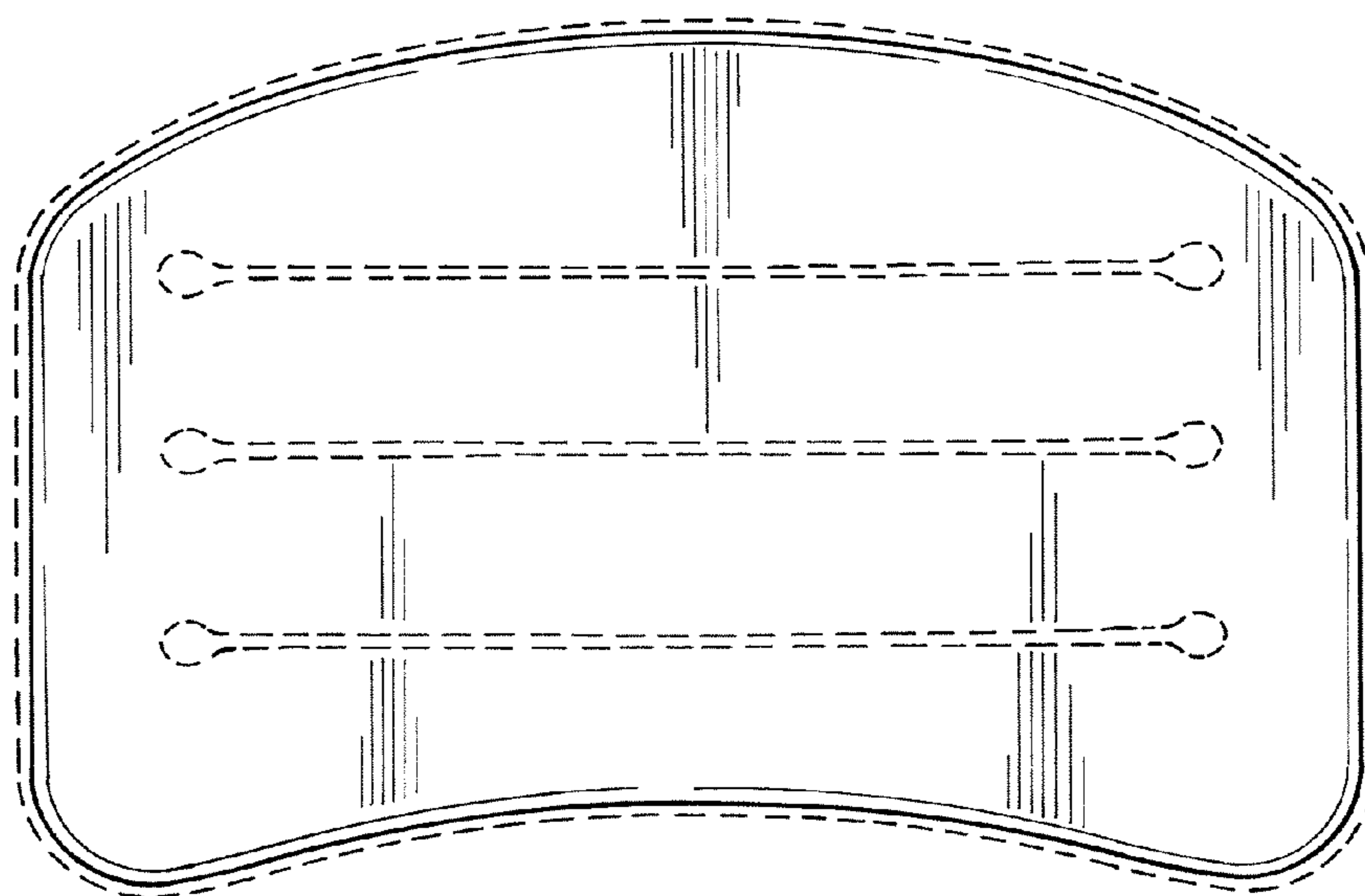


*Fig. 6*

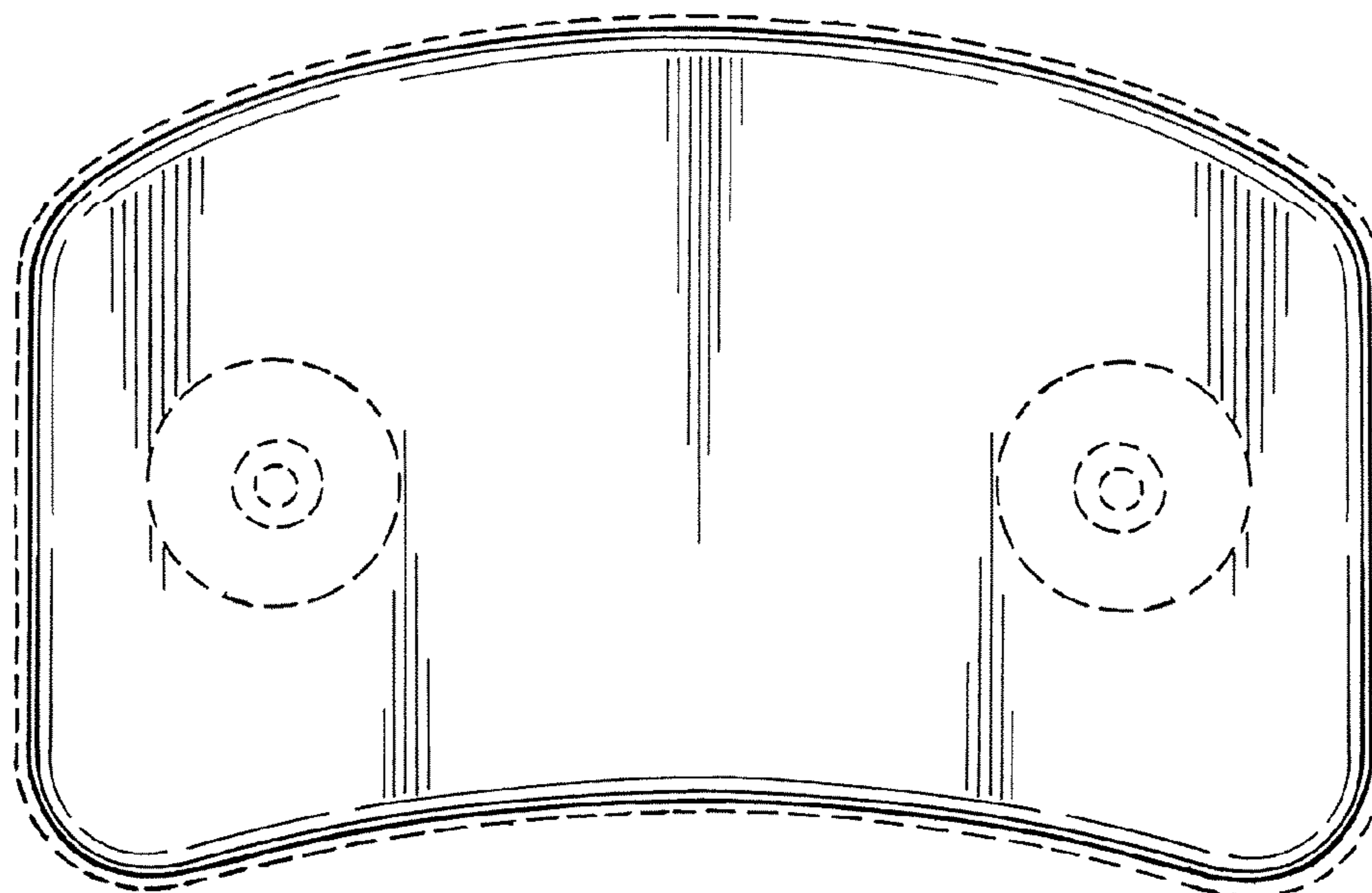




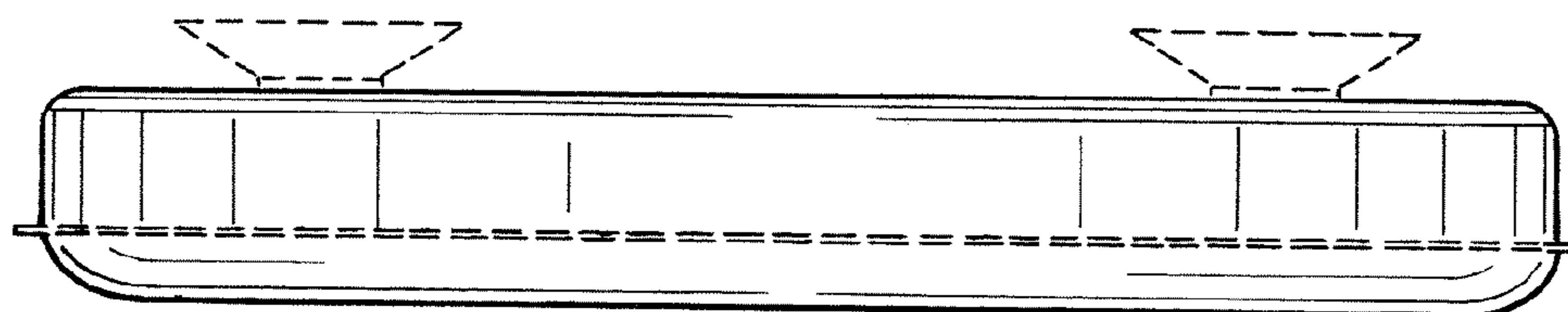
*Fig. 7*



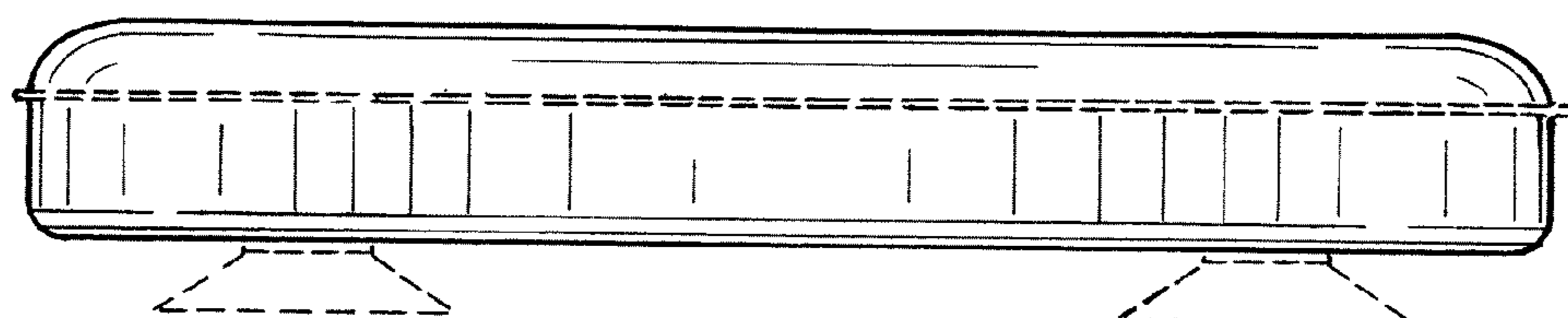
*Fig. 8*



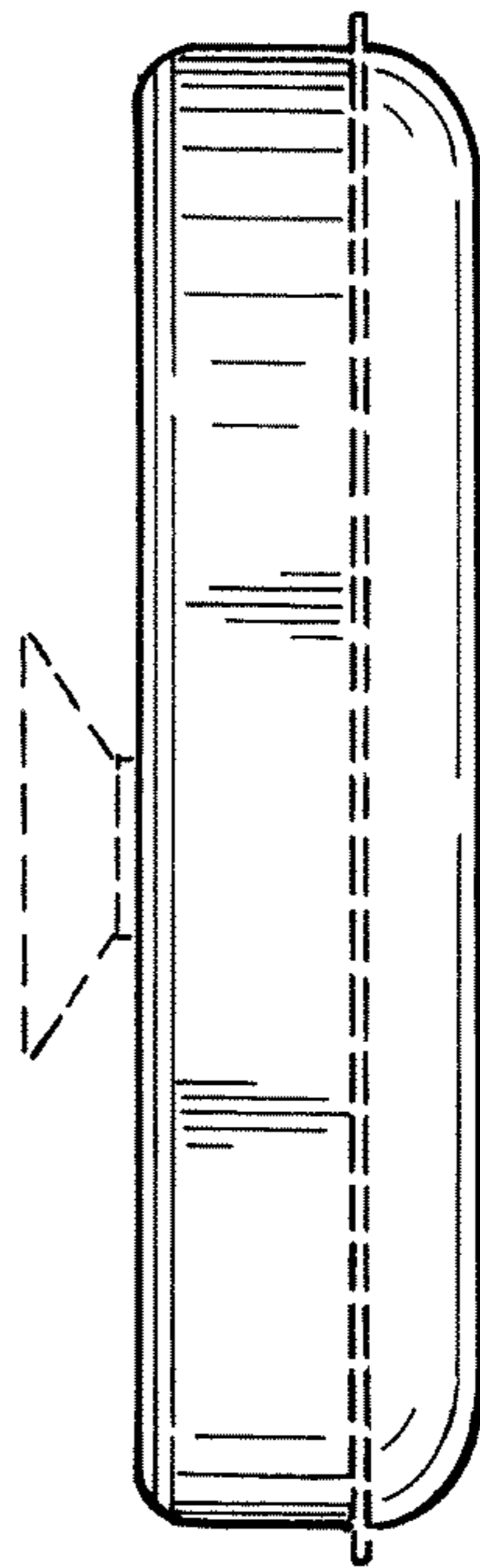
*Fig. 9*



*Fig. 10*



*Fig. 11*



*Fig. 12*