



US00D717072S

(12) **United States Design Patent**  
**Callif et al.**

(10) **Patent No.:** **US D717,072 S**

(45) **Date of Patent:** **\*\* Nov. 11, 2014**

(54) **HANGING SHELF WITH HOOKS**

(56) **References Cited**

(71) Applicant: **Liberty Hardware Mfg. Corp.**,  
Winston-Salem, NC (US)

U.S. PATENT DOCUMENTS

(72) Inventors: **Adam W. Callif**, Chicago, IL (US);  
**Bridget Soldan**, Chicago, IL (US);  
**Geraint Krumpe**, Chicago, IL (US);  
**Jose Manuel dos Santos**, Chicago, IL  
(US)

D327,596 S *	7/1992	Emery .....	D6/540
D365,481 S *	12/1995	McKeon .....	D6/513
D429,102 S *	8/2000	Patel et al. ....	D6/540
D449,752 S *	10/2001	Snell .....	D6/566
D498,632 S *	11/2004	Anderson et al. ....	D6/566

\* cited by examiner

(73) Assignee: **Liberty Hardware Mfg. Corp.**,  
Winston-Salem, NC (US)

*Primary Examiner* — Brian N Vinson

(\*\*) Term: **14 Years**

(74) *Attorney, Agent, or Firm* — Lora J. Graentzdoerffer

(21) Appl. No.: **29/492,644**

(57) **CLAIM**

The ornamental design for a hanging shelf with hooks, as shown and described.

(22) Filed: **Jun. 2, 2014**

**DESCRIPTION**

(51) **LOC (10) Cl.** ..... **06-04**

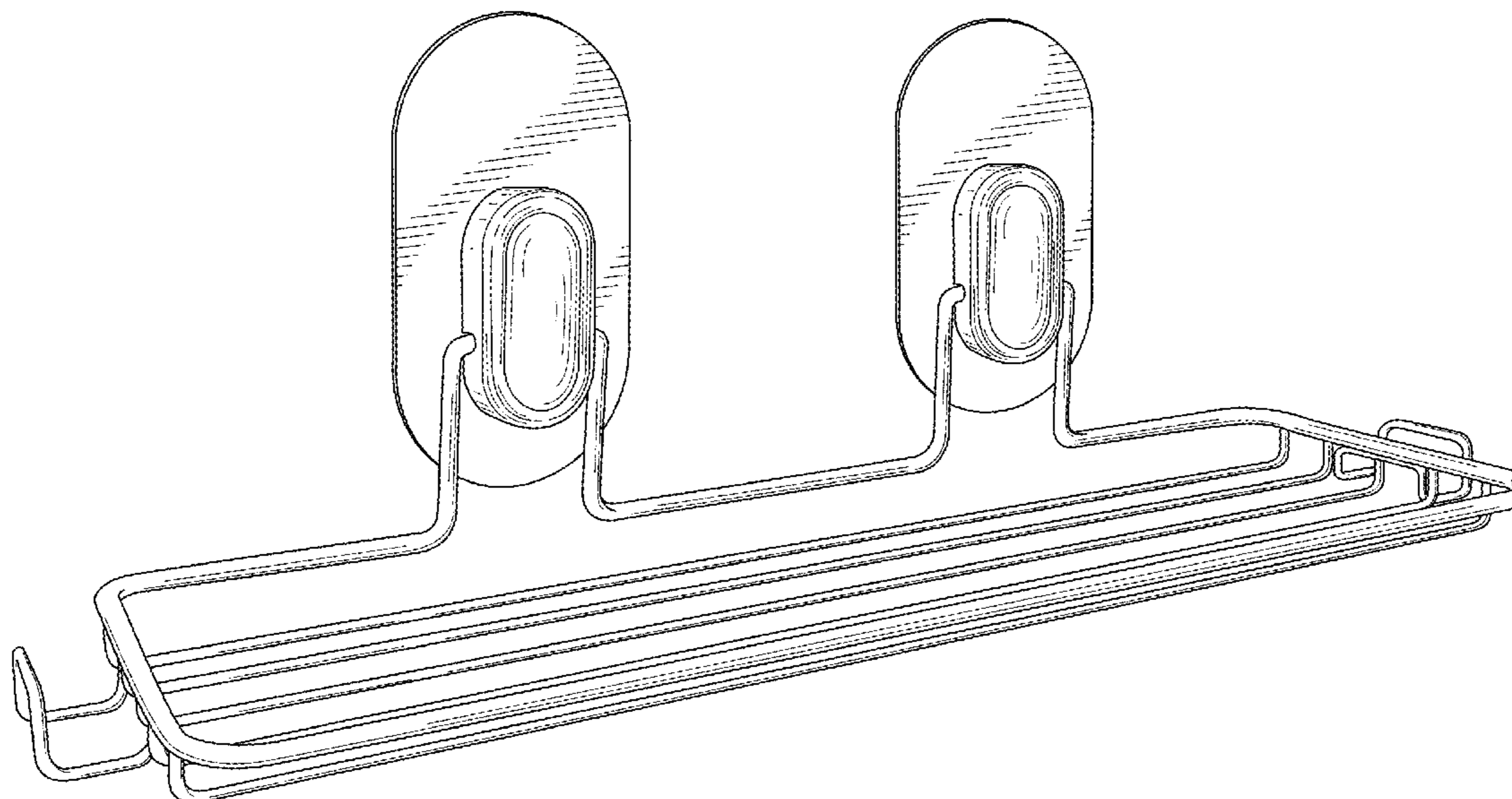
(52) **U.S. Cl.**  
USPC ..... **D6/574**; D6/566; D6/569

(58) **Field of Classification Search**  
USPC ..... D3/304, 306; 206/202, 513, 557;  
211/13.1, 41.3, 41.4, 86.01, 88.01,  
211/134, 126.1, 181.1; 248/302; 220/485,  
220/488; D6/512–514, 524–525, 566

FIG. 1 is a perspective view of a hanging shelf with hooks showing our design;  
FIG. 2 is a front elevational view;  
FIG. 3 is a rear elevational view;  
FIG. 4 is a left side elevational view;  
FIG. 5 is a right side elevational view;  
FIG. 6 is a top plan view; and,  
FIG. 7 is a bottom plan view.

See application file for complete search history.

**1 Claim, 6 Drawing Sheets**



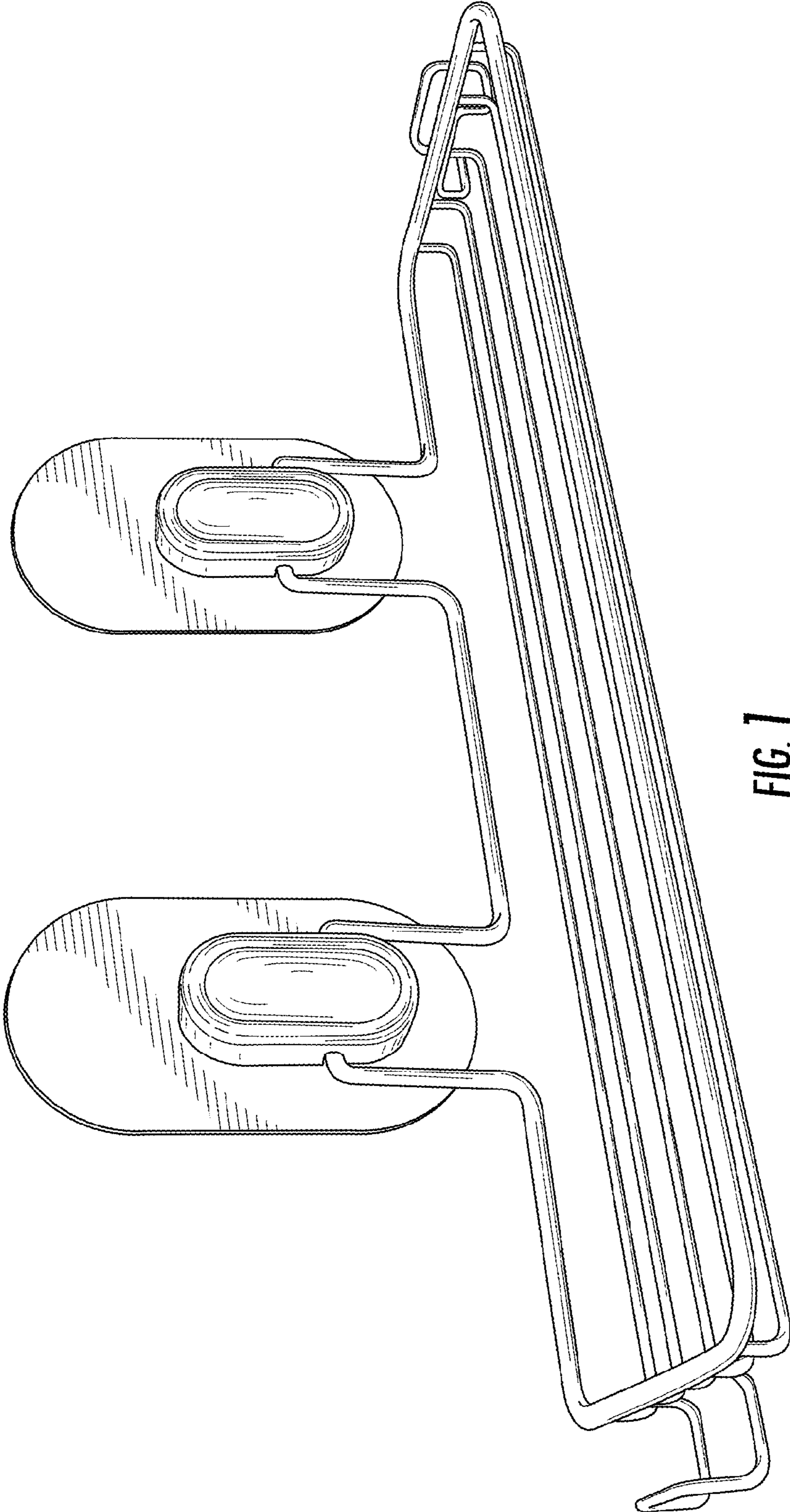


FIG. 1

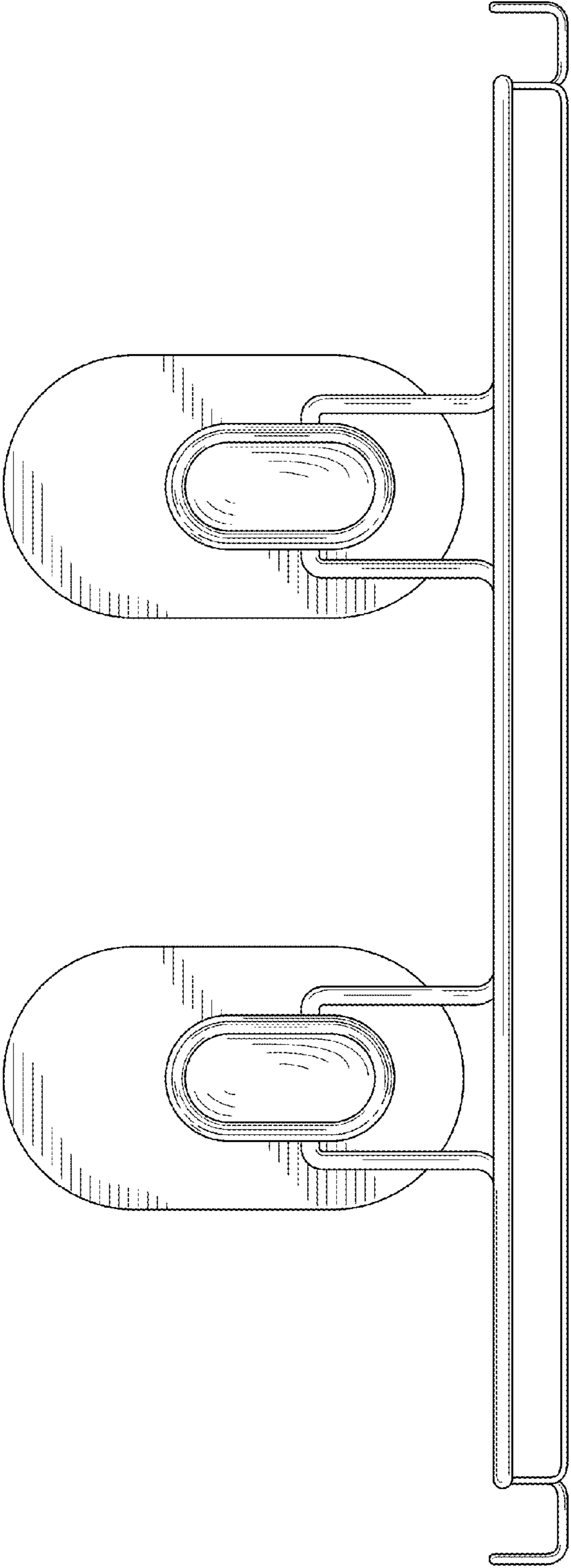


FIG. 2

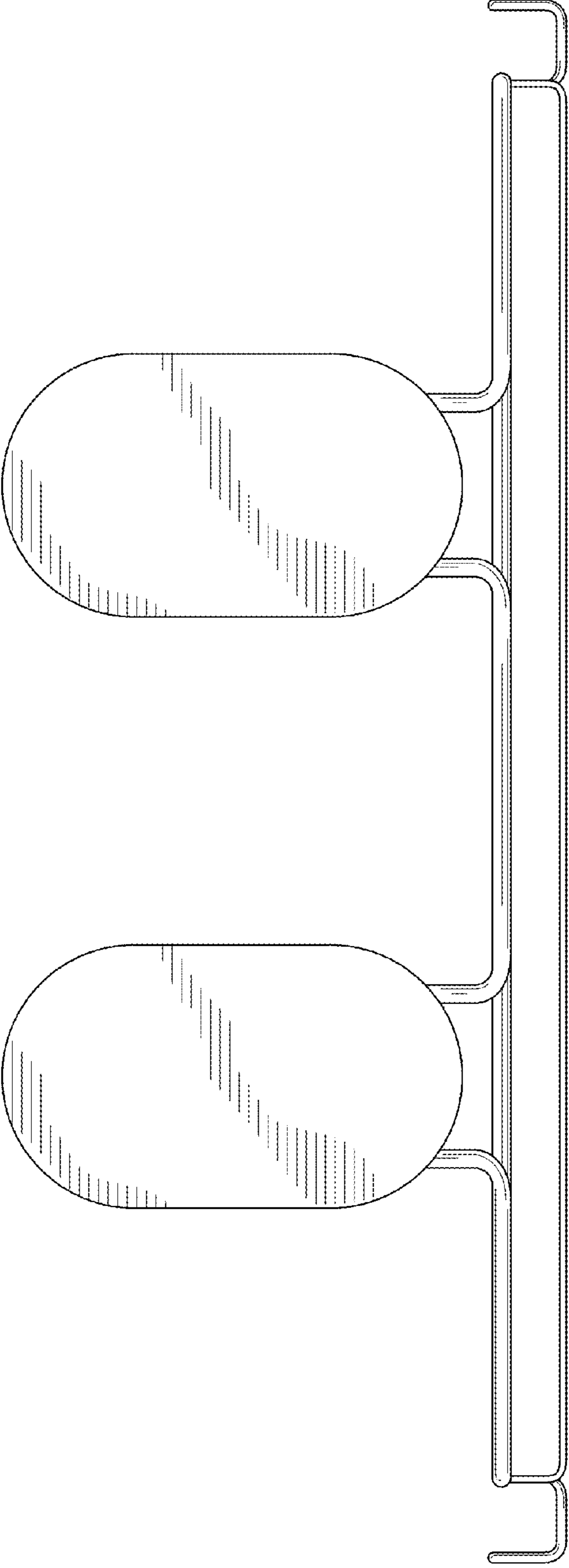
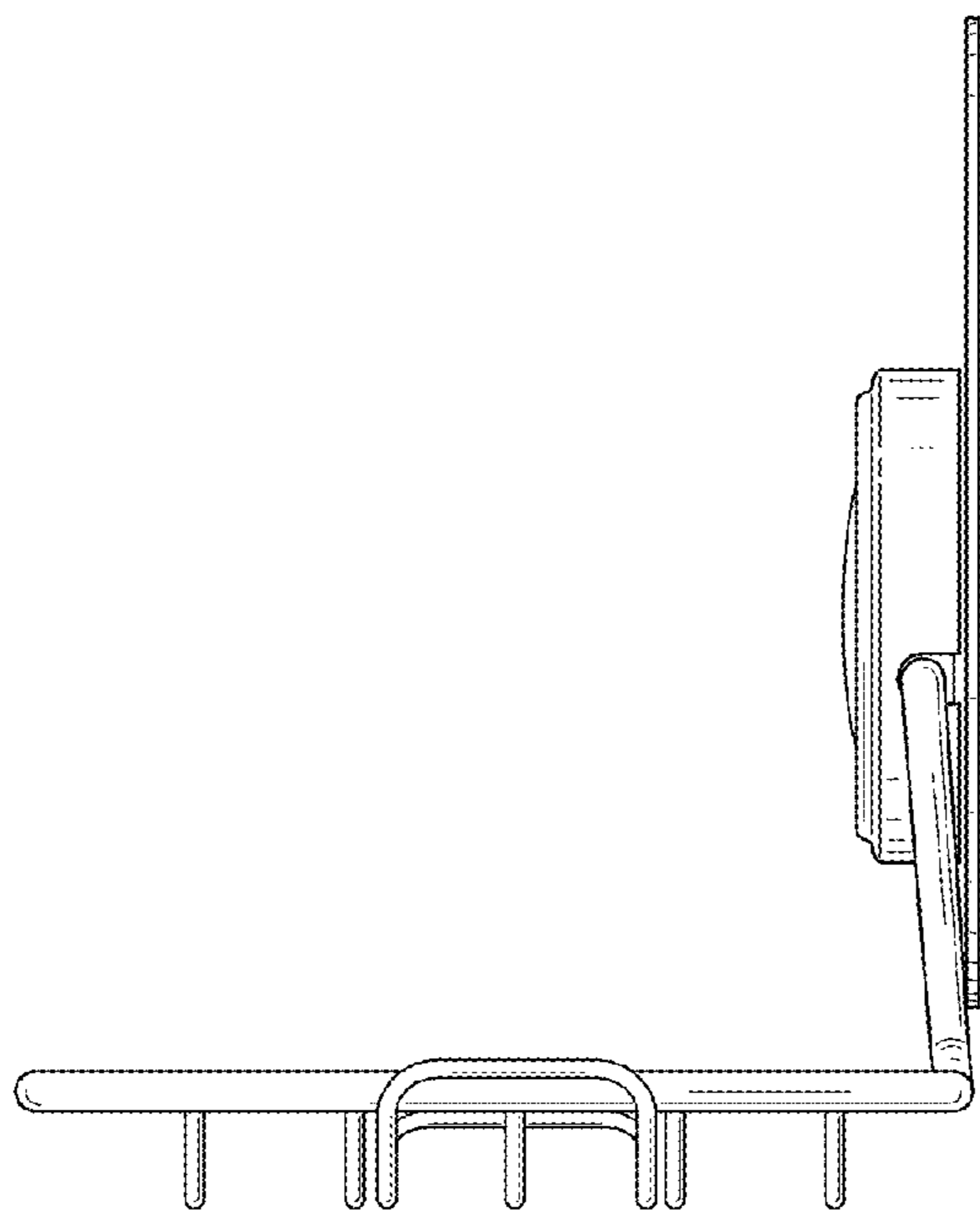
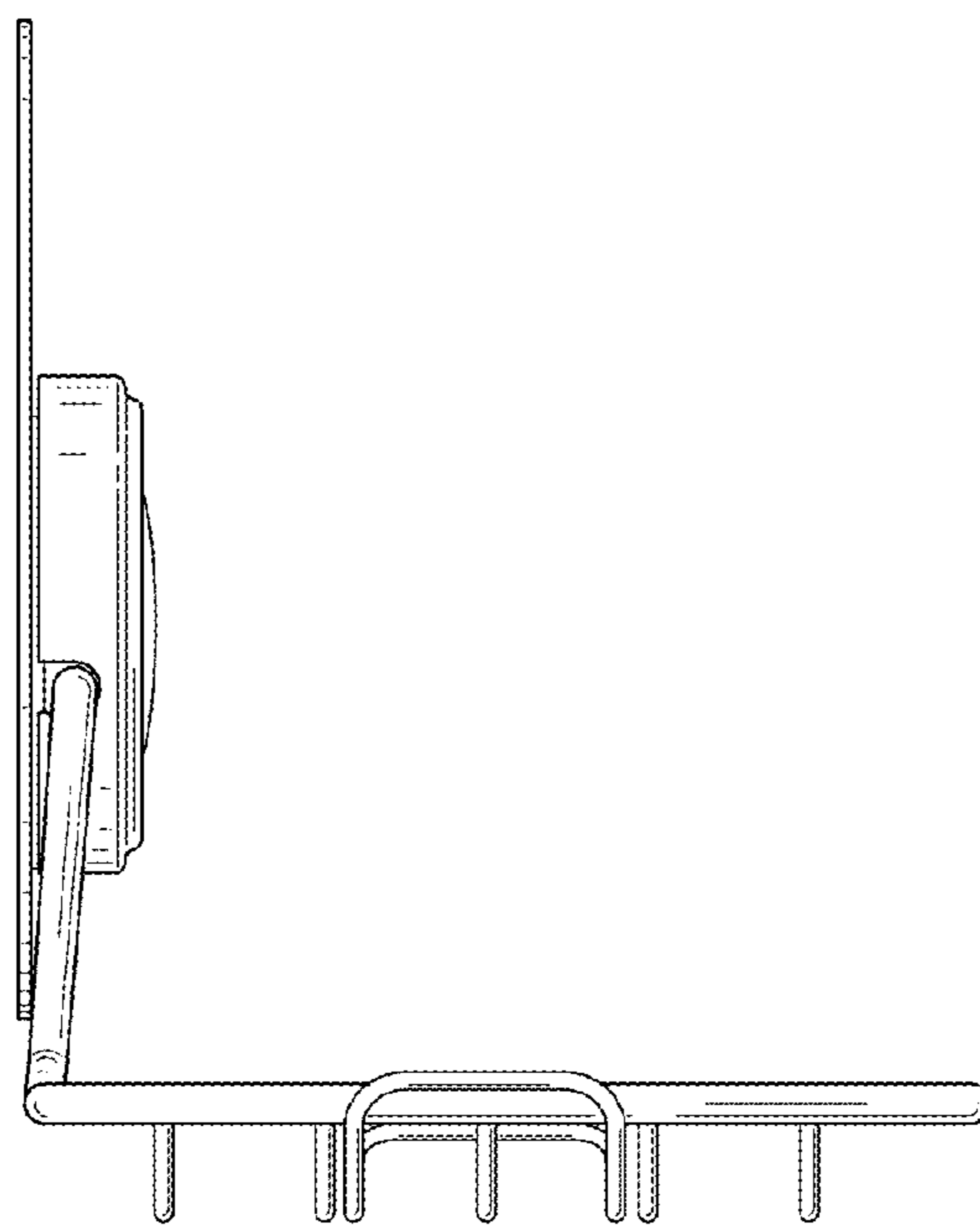


FIG. 3



**FIG. 4**



**FIG. 5**

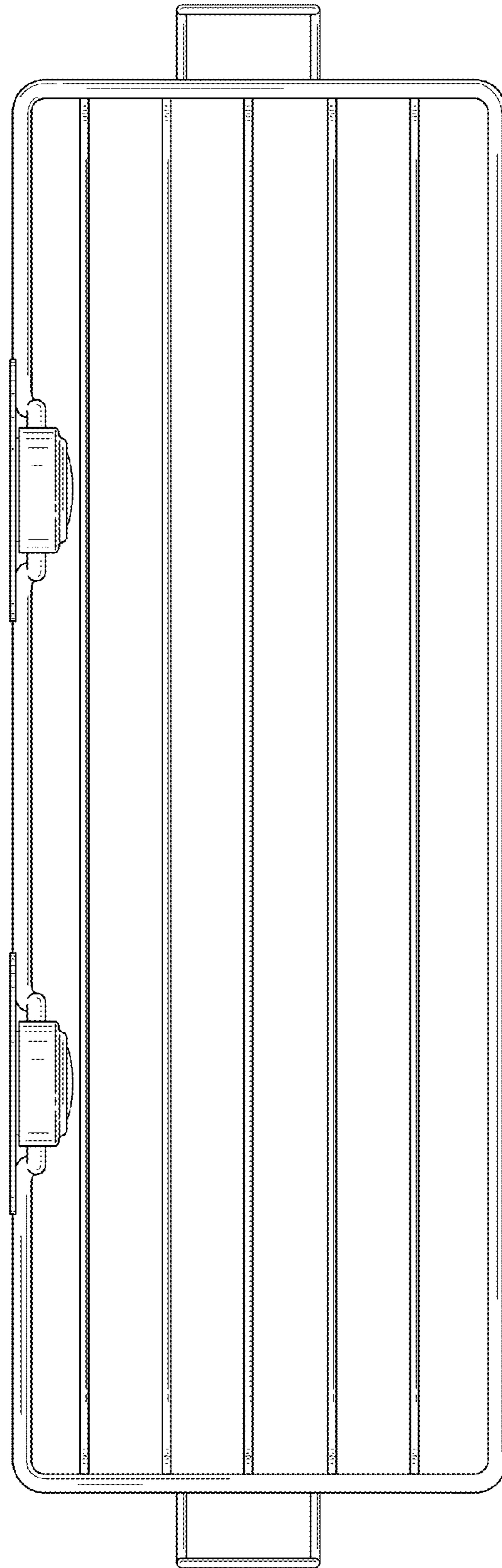


FIG. 6

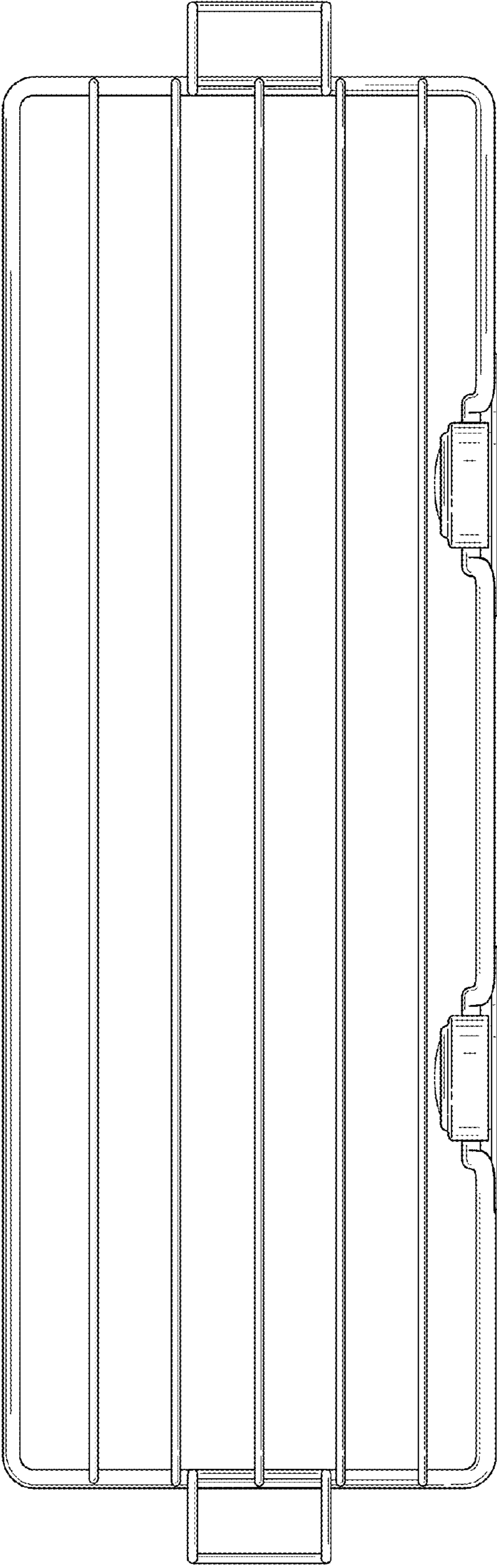


FIG. 7