



US00D717071S

(12) **United States Design Patent**
Callif et al.

(10) **Patent No.:** **US D717,071 S**

(45) **Date of Patent:** **** Nov. 11, 2014**

(54) **HANGING MIRROR WITH SHAVER HOLDER**

(56)

References Cited

(71) Applicant: **Liberty Hardware Mfg. Corp.**,
Winston-Salem, NC (US)

U.S. PATENT DOCUMENTS

(72) Inventors: **Adam W. Callif**, Chicago, IL (US);
Bridget Soldan, Chicago, IL (US);
Geraint Krumpe, Chicago, IL (US);
Jose Manuel dos Santos, Chicago, IL
(US)

D258,475 S *	3/1981	Edstrom	D6/526
D282,993 S *	3/1986	Sanford	D6/526
D370,816 S *	6/1996	Hofman et al.	D6/568
D569,671 S *	5/2008	Thompson et al.	D6/568

* cited by examiner

Primary Examiner — Brian N Vinson

(73) Assignee: **Liberty Hardware Mfg. Corp.**,
Winston-Salem, NC (US)

(74) *Attorney, Agent, or Firm* — Lora J. Graentzdoerffer

(**) Term: **14 Years**

(57) **CLAIM**

The ornamental design for a hanging mirror with shaver holder, as shown and described.

(21) Appl. No.: **29/492,654**

DESCRIPTION

(22) Filed: **Jun. 2, 2014**

(51) **LOC (10) Cl.** **06-04**

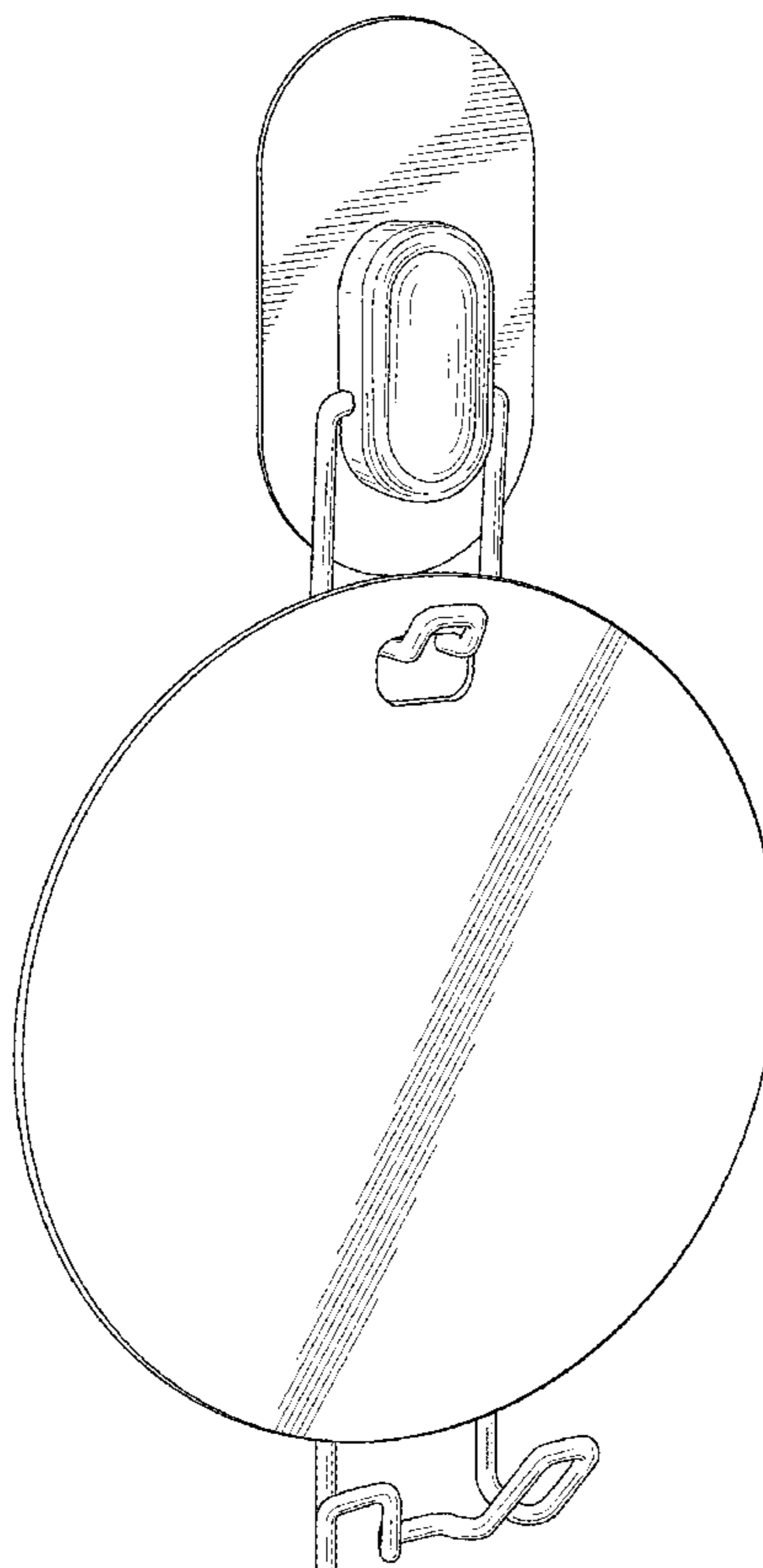
(52) **U.S. Cl.**
USPC **D6/568; D6/526**

(58) **Field of Classification Search**
USPC D6/526, 524, 540, 534, 528, 568, 566;
211/13.1, 70.6, 87.01, 89.01, 66,
211/86.01; 248/200, 205.5, 309.1, 314,
248/127, 176.1; D9/749; 206/208, 209,
206/228, 361, 362, 362.1, 362.2, 362.3

FIG. 1 is a perspective view of a hanging mirror with shaver holder showing our design;
FIG. 2 is a front elevational view;
FIG. 3 is a rear elevational view;
FIG. 4 is a left side elevational view;
FIG. 5 is a right side elevational view;
FIG. 6 is a top plan view; and,
FIG. 7 is a bottom plan view.

See application file for complete search history.

1 Claim, 5 Drawing Sheets



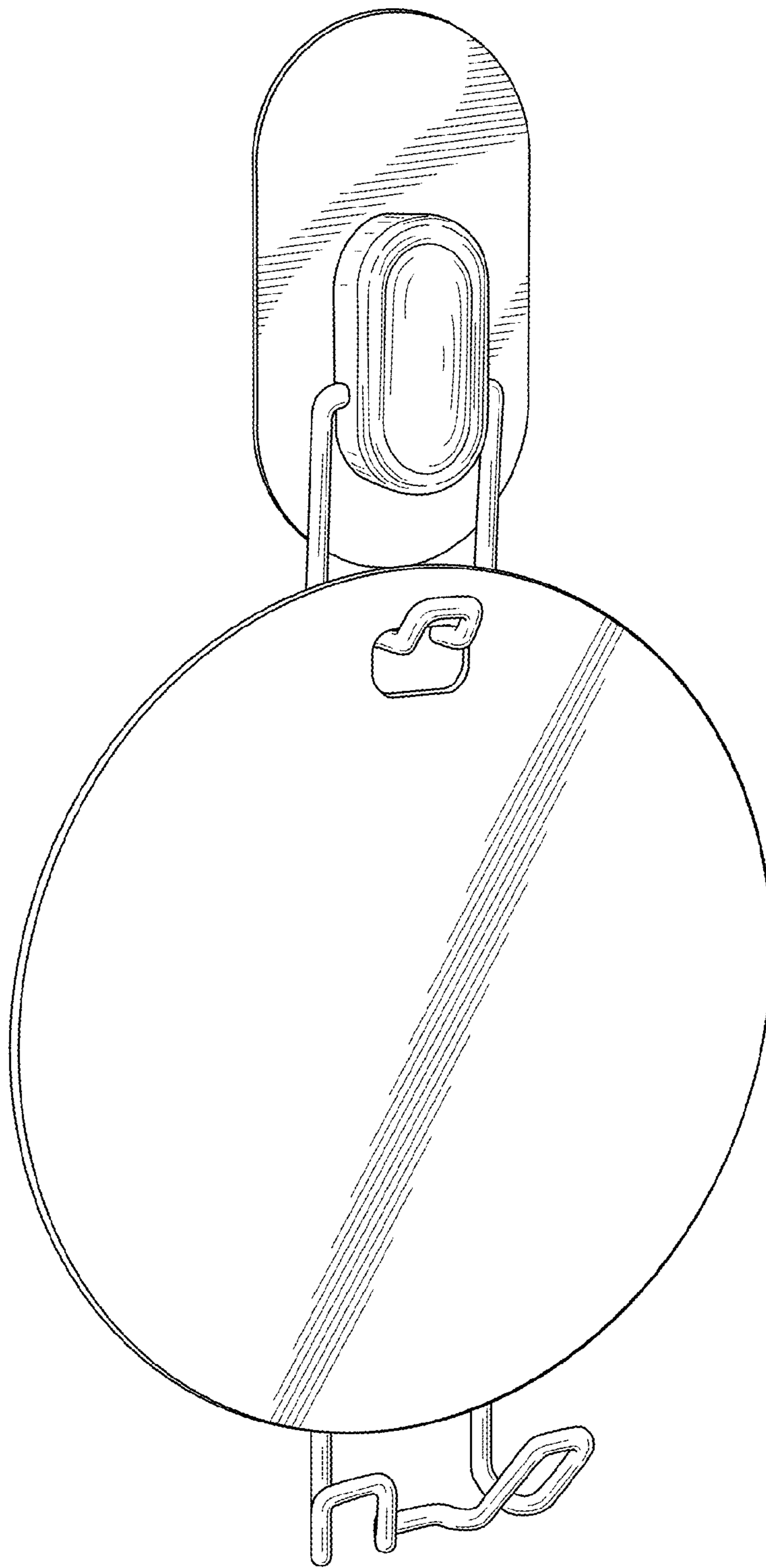


FIG. 1

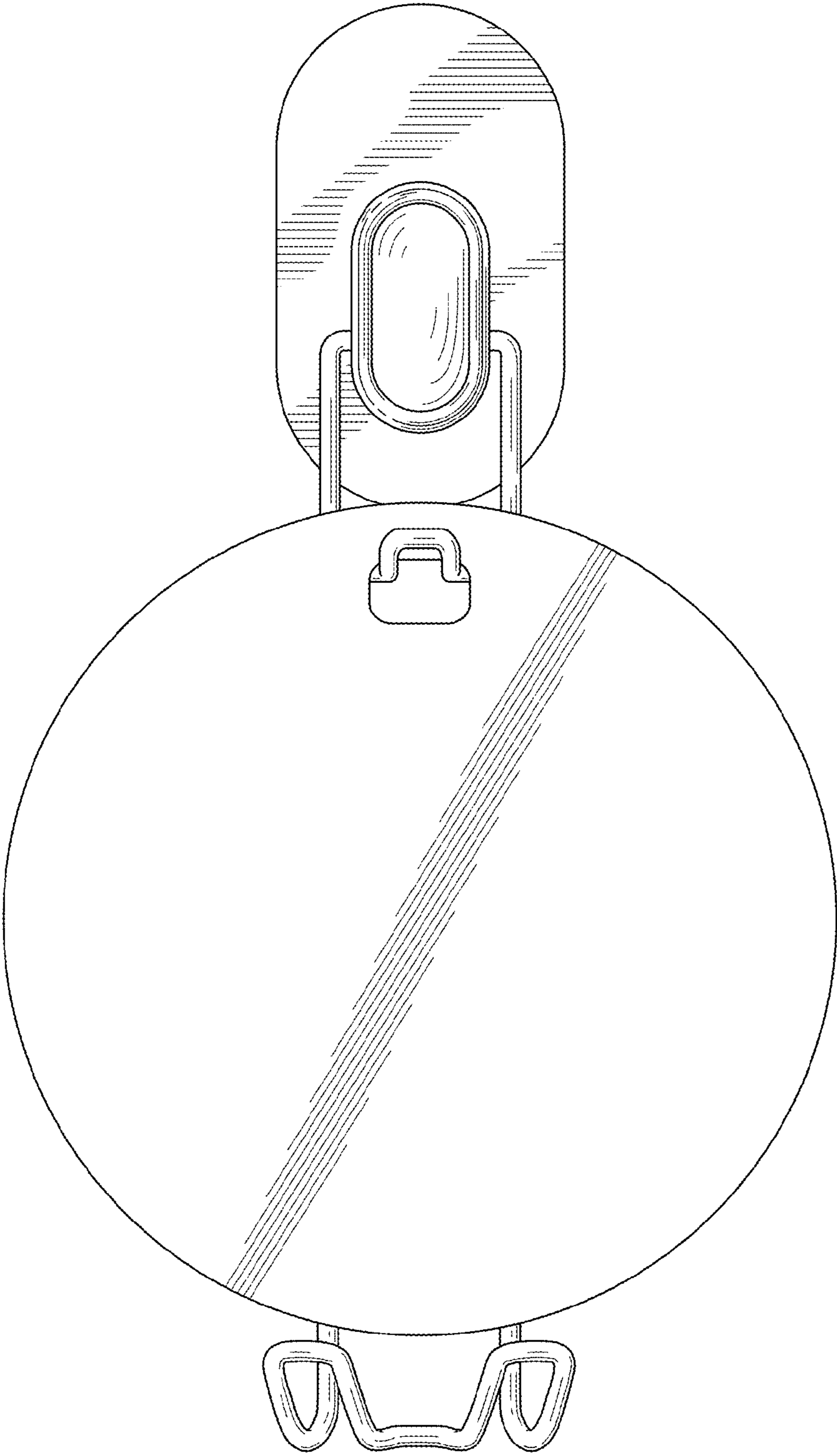


FIG. 2

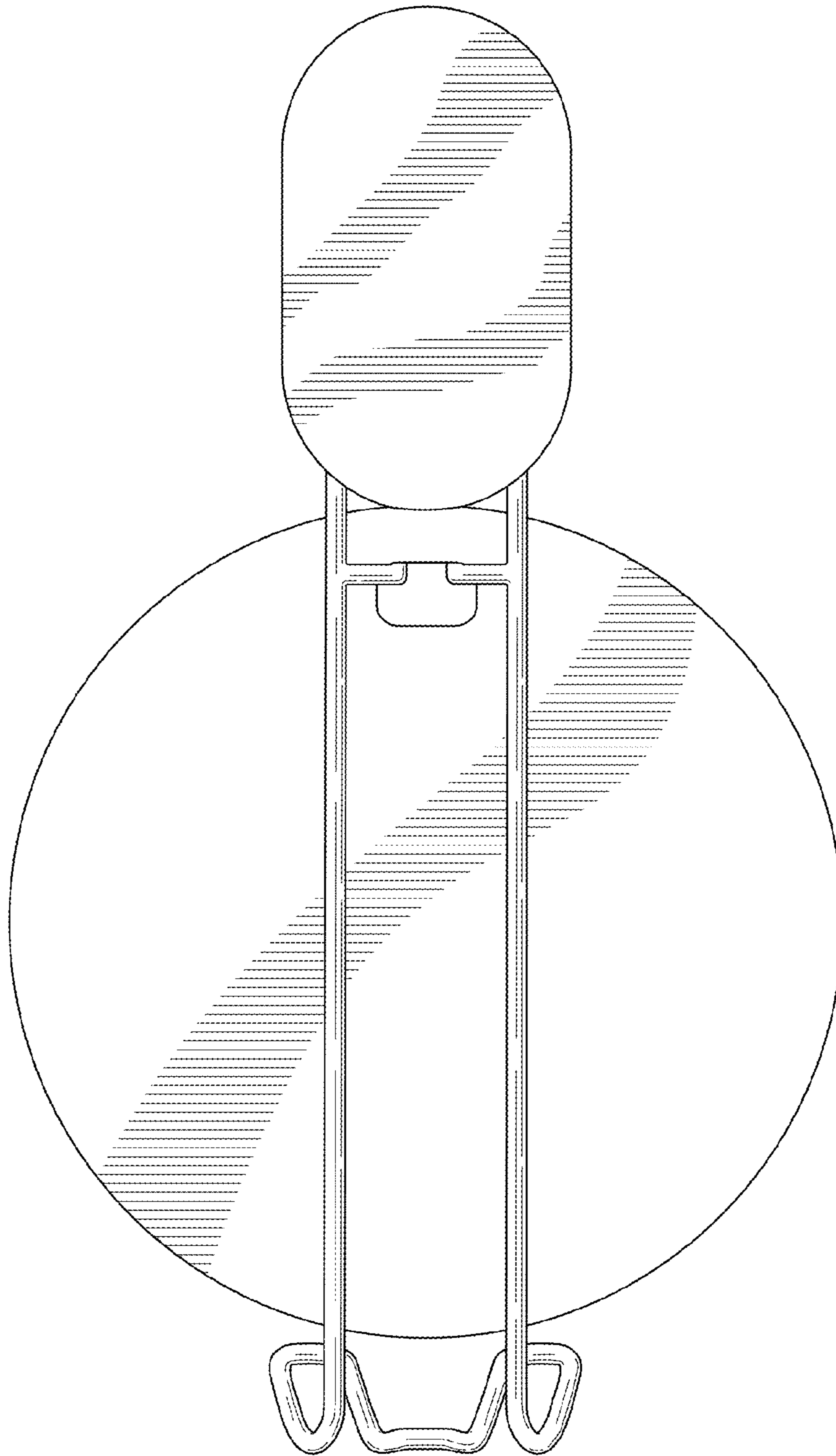


FIG. 3

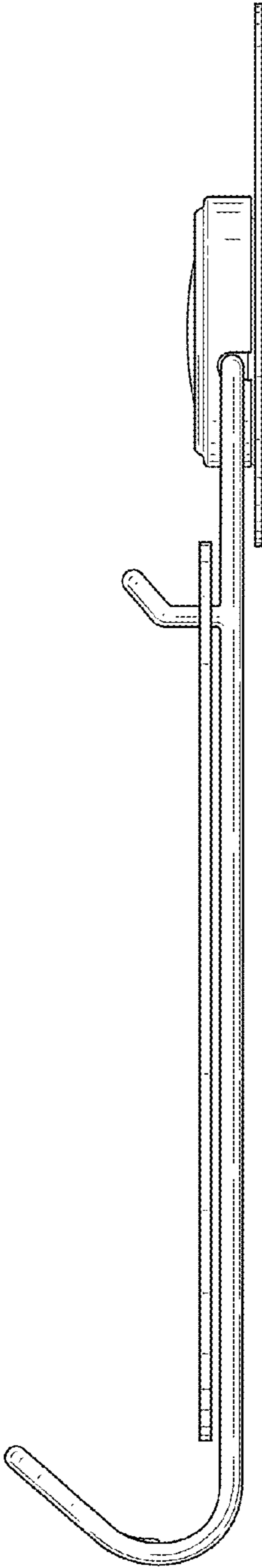


FIG. 4

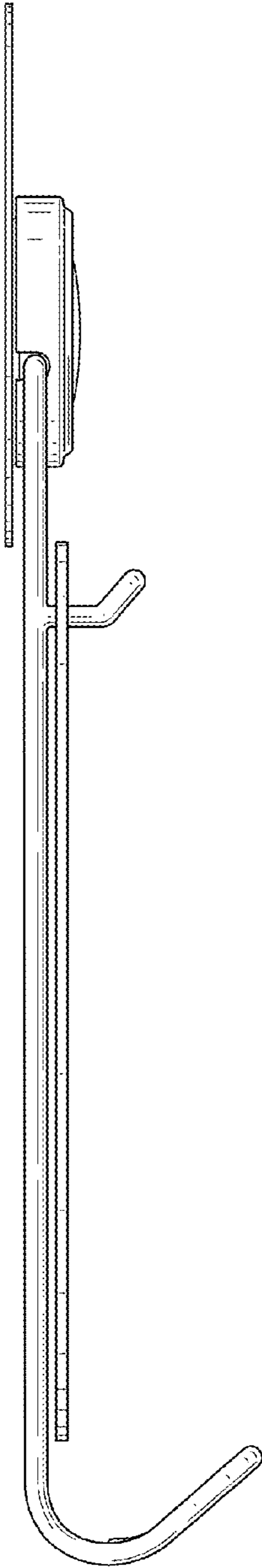


FIG. 5

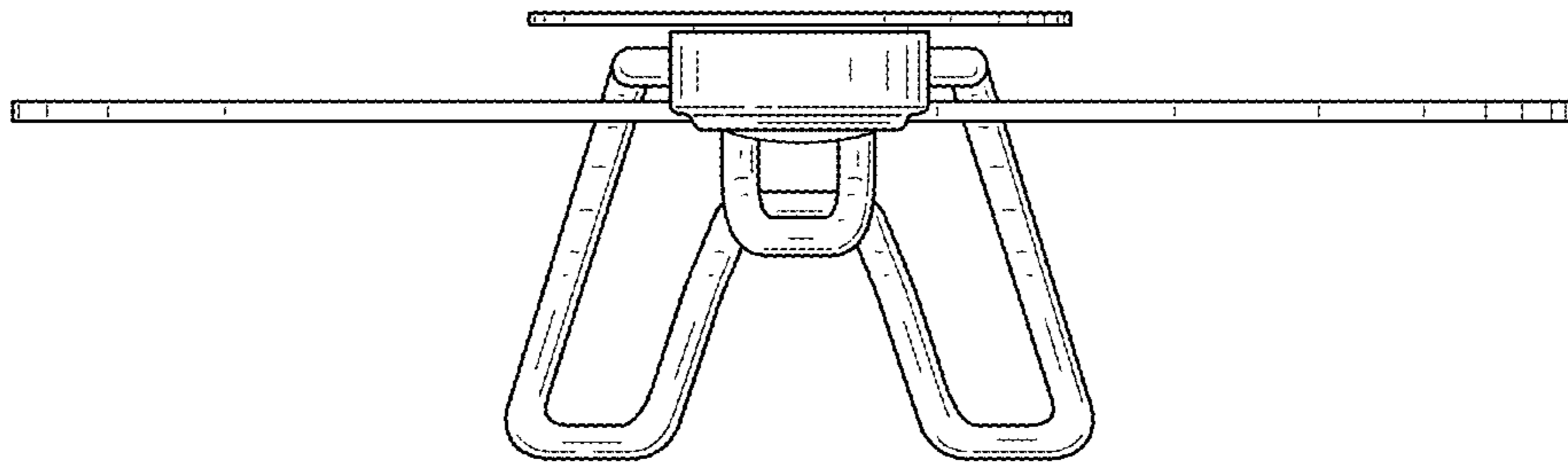


FIG. 6

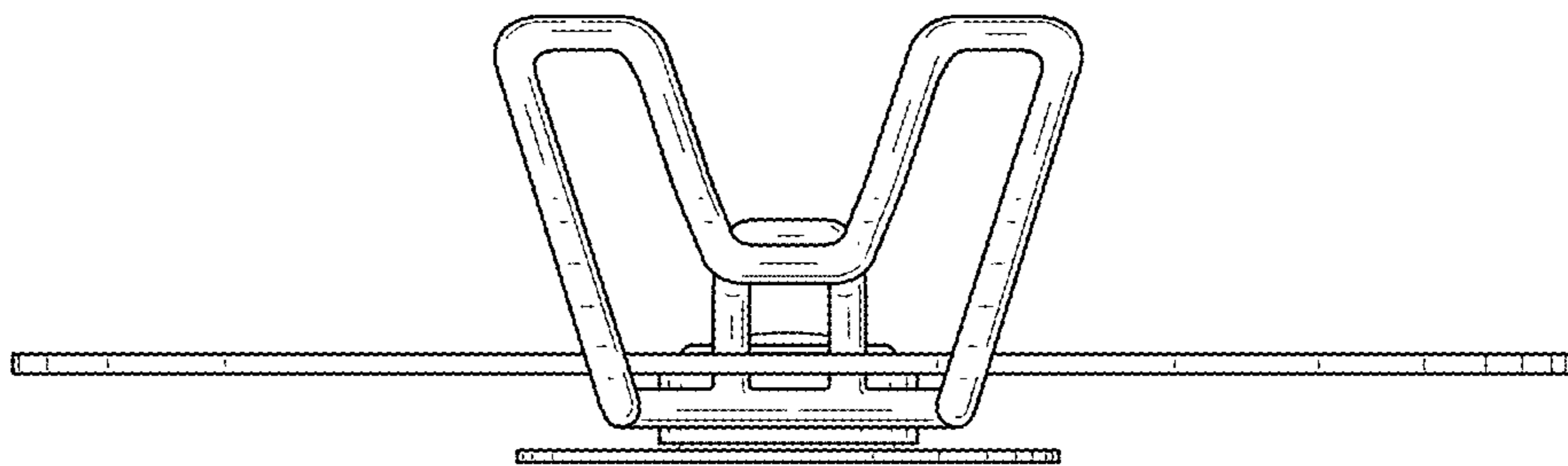


FIG. 7