



US00D717070S

(12) **United States Design Patent**
Callif et al.

(10) **Patent No.:** **US D717,070 S**

(45) **Date of Patent:** **** Nov. 11, 2014**

(54) **HANGING BASKET WITH HOOKS**

(56) **References Cited**

(71) Applicant: **Liberty Hardware Mfg. Corp.**,
Winston-Salem, NC (US)

(72) Inventors: **Adam W. Callif**, Chicago, IL (US);
Bridget Soldan, Chicago, IL (US);
Geraint Krumpe, Chicago, IL (US);
Jose Manuel dos Santos, Chicago, IL
(US)

U.S. PATENT DOCUMENTS

D399,381 S *	10/1998	Hoernig	D6/566
D438,042 S *	2/2001	Hofman et al.	D6/566
D449,480 S *	10/2001	Snell	D6/566
D453,651 S *	2/2002	Snell	D6/553
D559,024 S *	1/2008	Tau	D6/566
D563,708 S *	3/2008	Snell	D6/566
D584,056 S *	1/2009	Ghiorghie	D6/566
D616,680 S *	6/2010	Snider	D6/566
D701,397 S *	3/2014	Snider	D6/566

(73) Assignee: **Liberty Hardware Mfg. Corp.**,
Winston-Salem, NC (US)

* cited by examiner

(**) Term: **14 Years**

Primary Examiner — Brian N Vinson

(21) Appl. No.: **29/492,642**

(74) *Attorney, Agent, or Firm* — Lora J. Graentzdoerffer

(22) Filed: **Jun. 2, 2014**

(57) **CLAIM**

The ornamental design for a hanging basket with hooks, as shown and described.

(51) **LOC (10) Cl.** **06-04**

DESCRIPTION

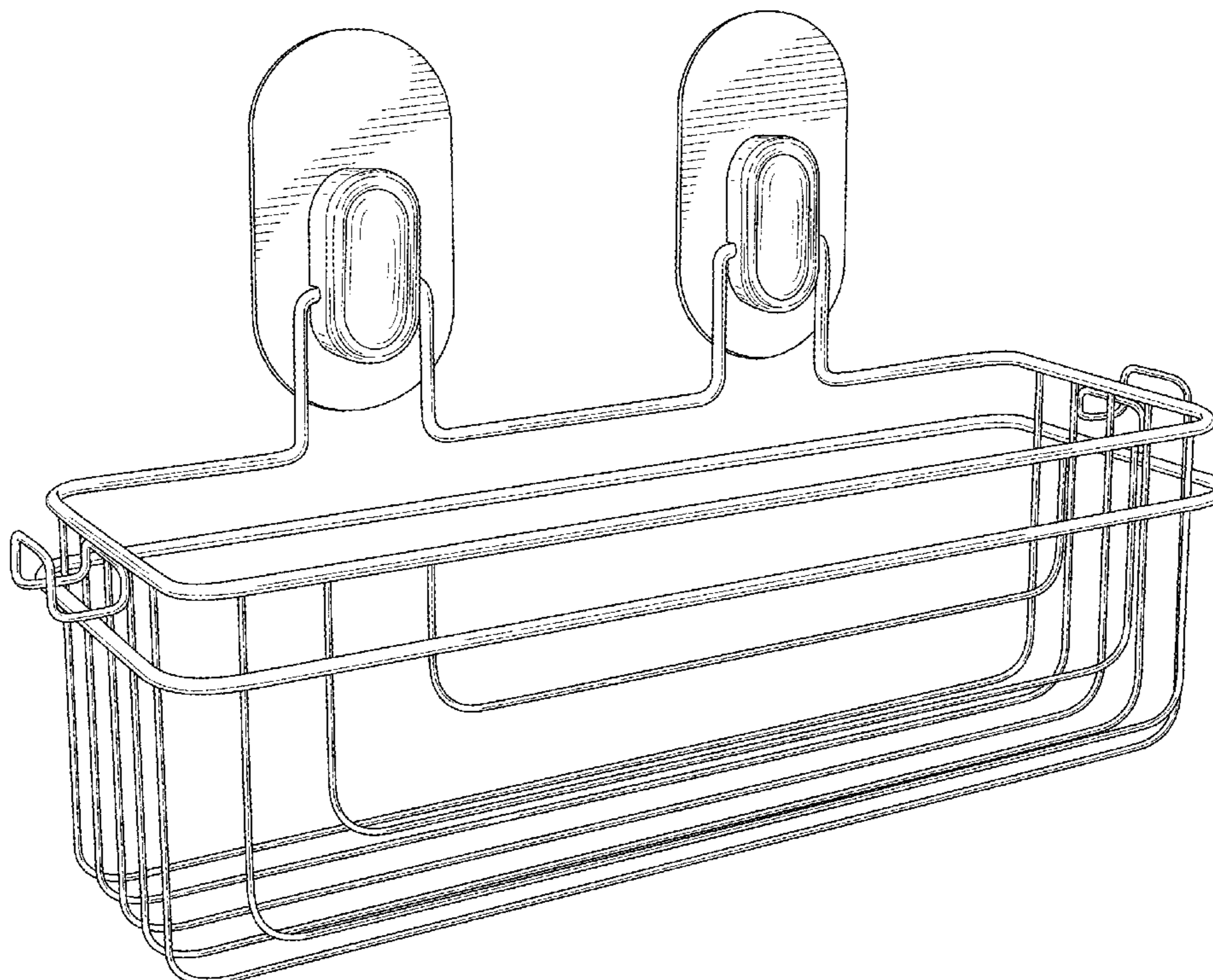
(52) **U.S. Cl.**
USPC **D6/566**; D6/553; D6/567

(58) **Field of Classification Search**
USPC D3/304, 306; 206/202, 513, 557;
211/13.1, 41.3, 41.4, 86.01, 88.01,
211/134, 126.1, 181.1; 248/302; 220/485,
220/488; D6/512-514, 524-525, 566, 553,
D6/567

FIG. 1 is a perspective view of a hanging basket with hooks showing our design;
FIG. 2 is a front elevational view;
FIG. 3 is a rear elevational view;
FIG. 4 is a right side elevational view;
FIG. 5 is a left side elevational view;
FIG. 6 is a top plan view; and,
FIG. 7 is a bottom plan view.

See application file for complete search history.

1 Claim, 7 Drawing Sheets



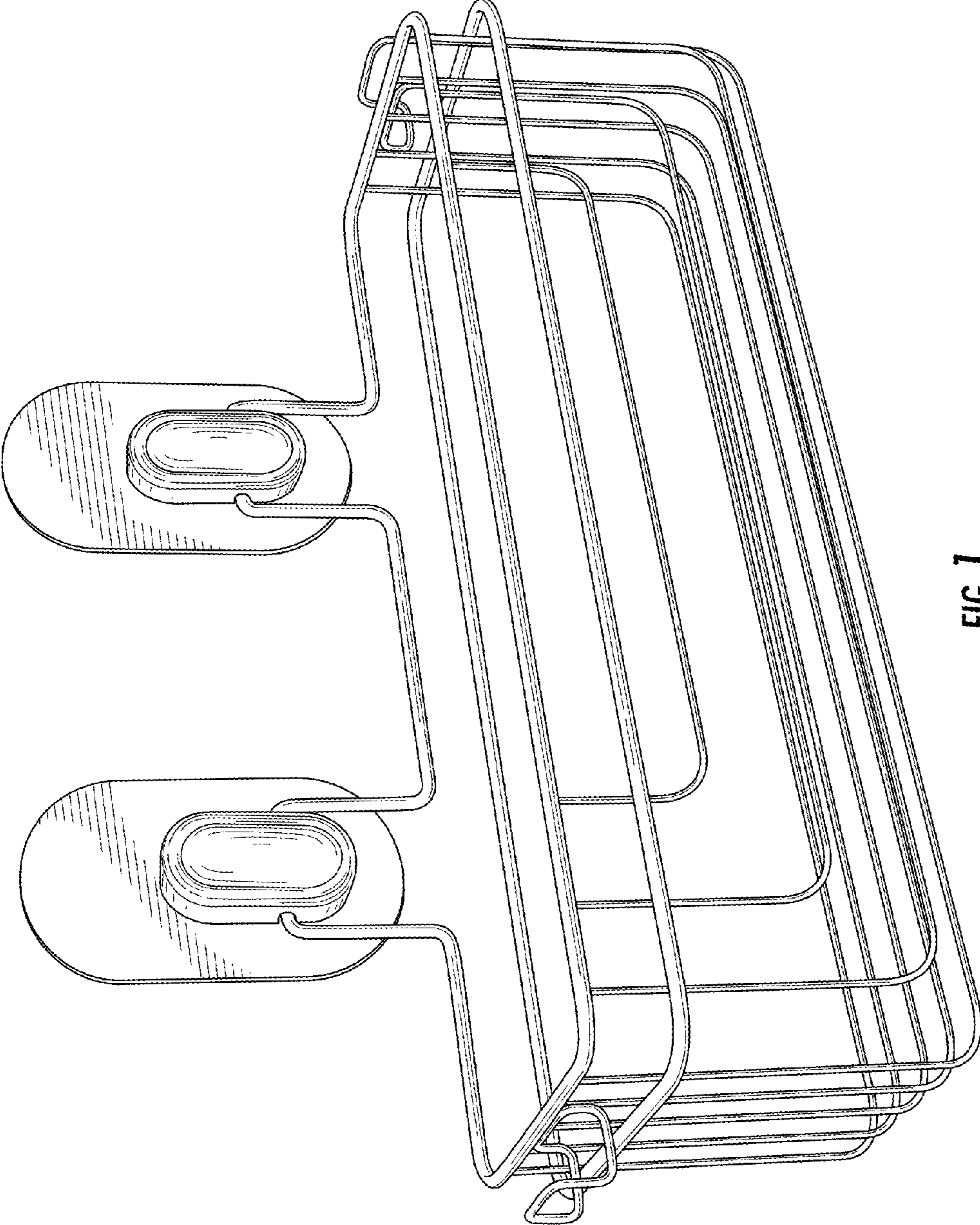


FIG. 1

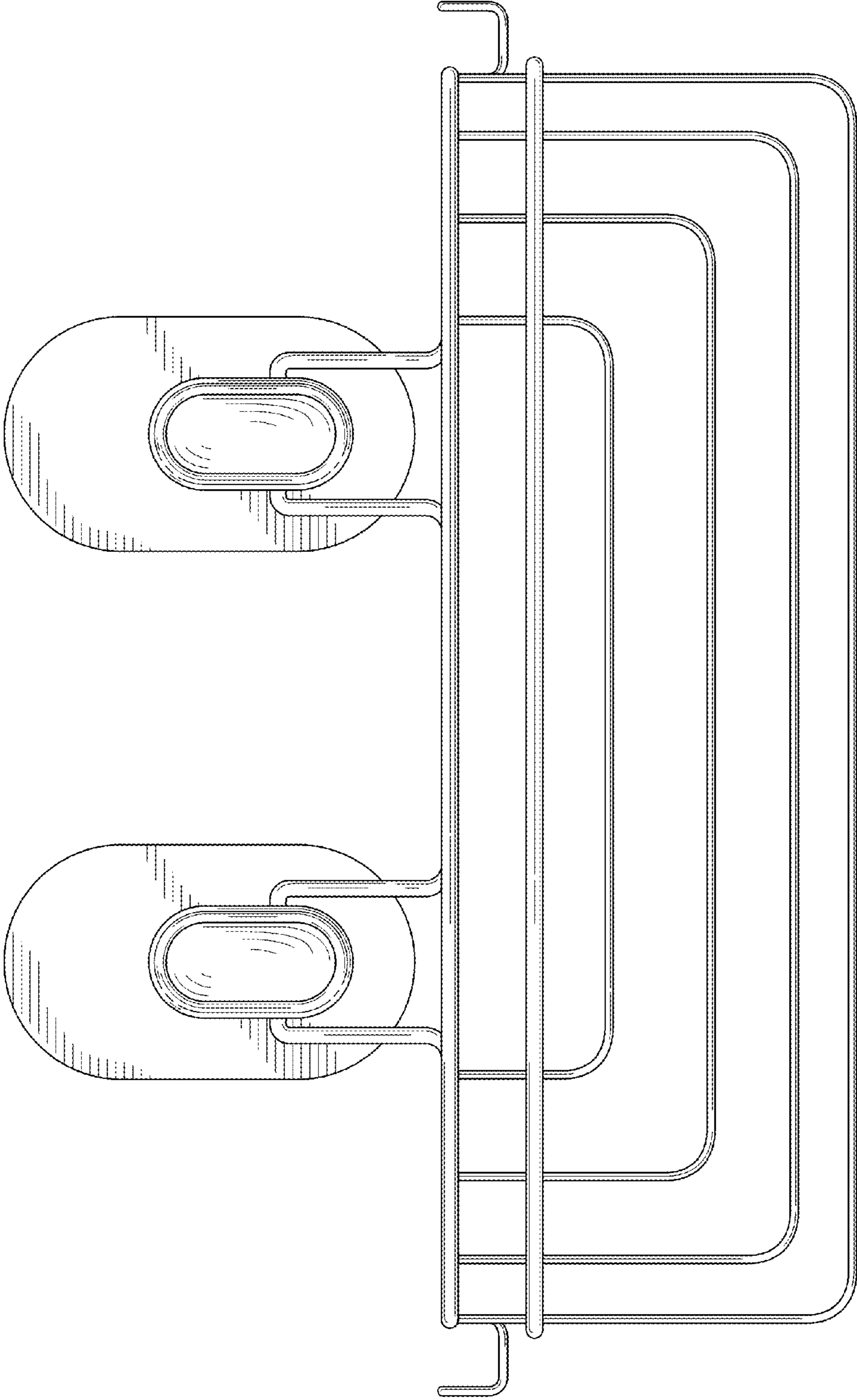


FIG. 2

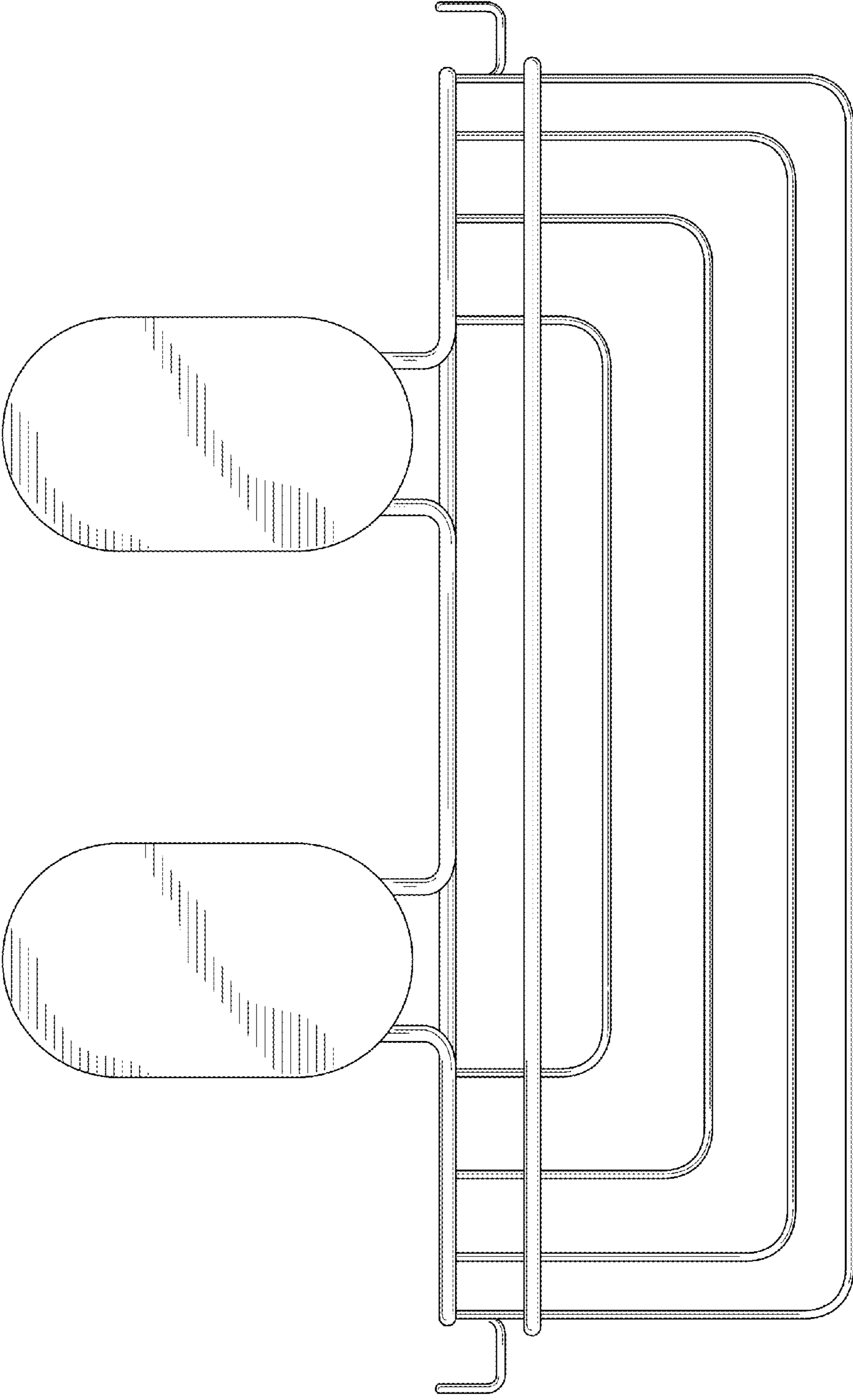


FIG. 3

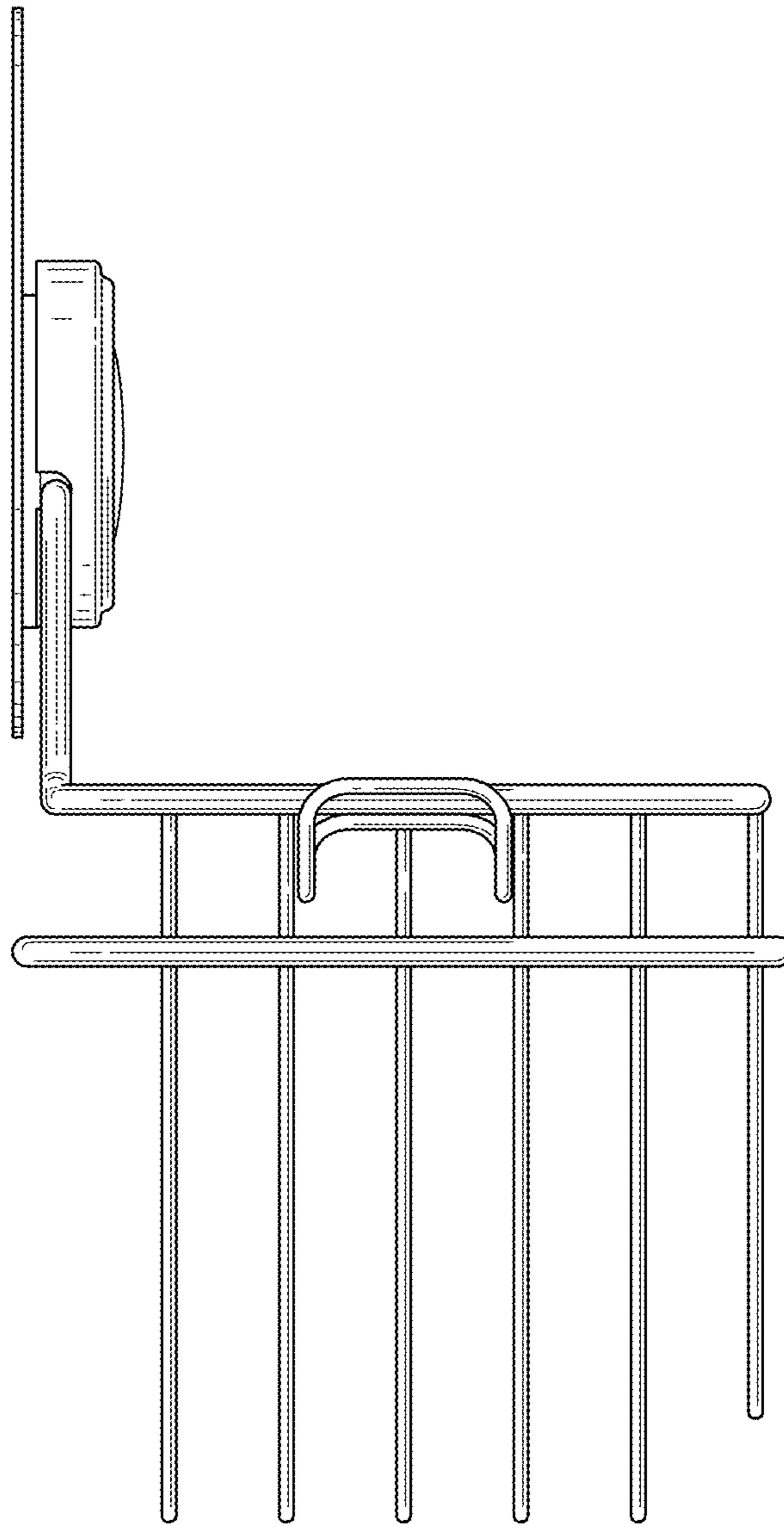


FIG. 4

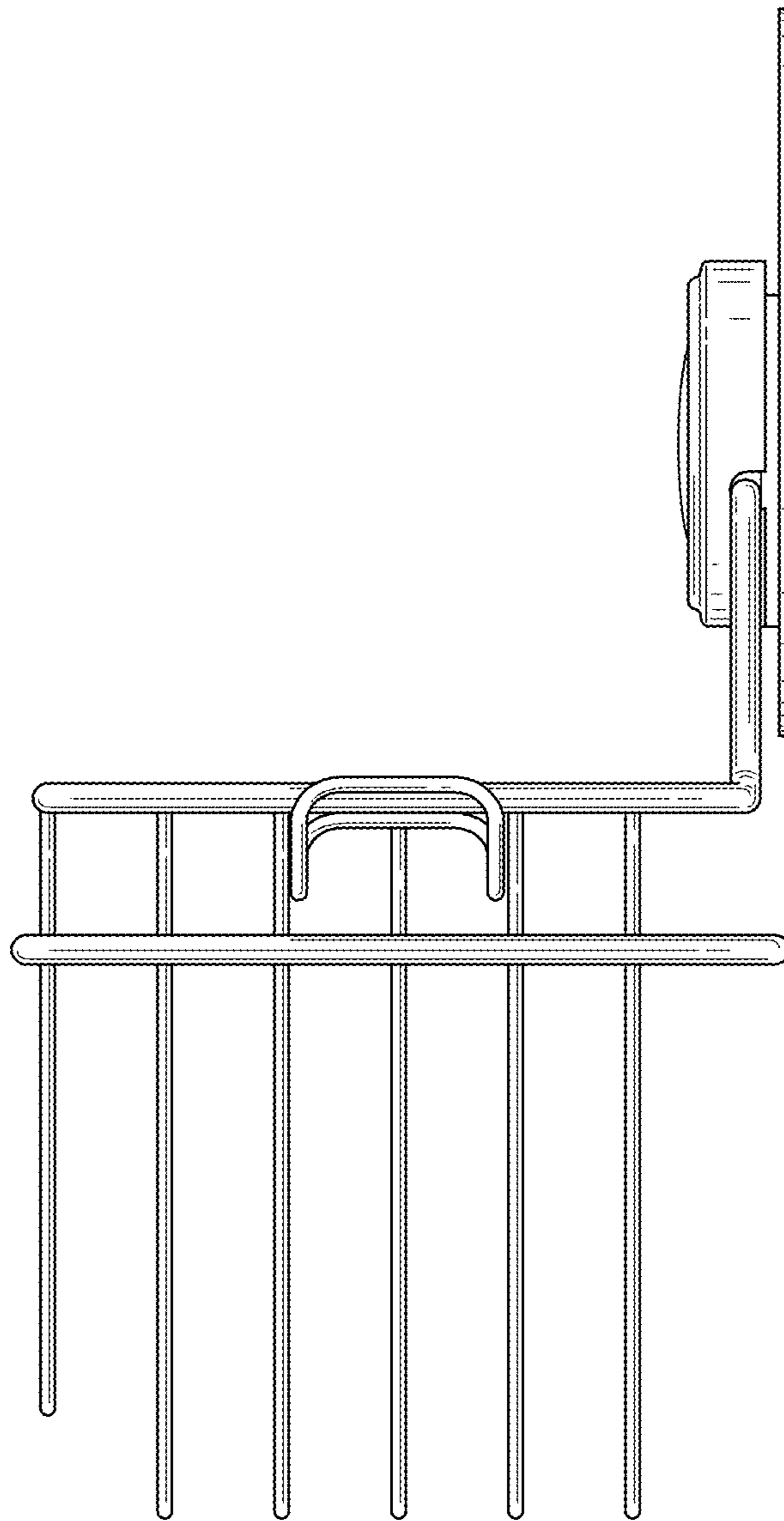


FIG. 5

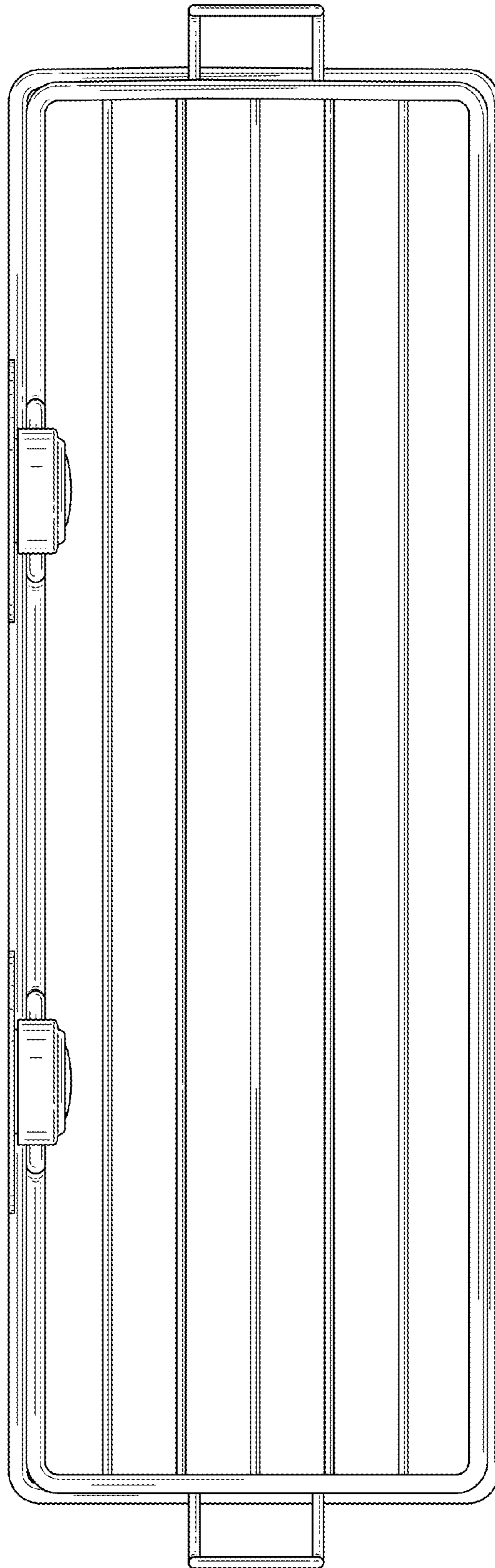


FIG. 6

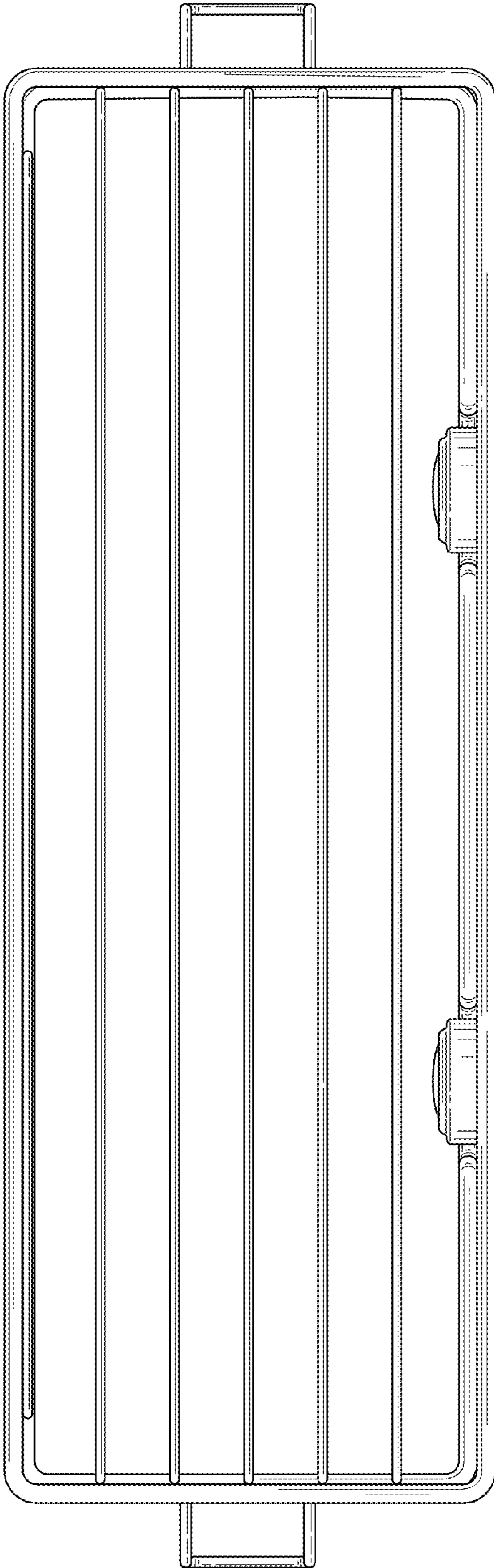


FIG. 7