



US00D717069S

(12) **United States Design Patent**
Cheng

(10) **Patent No.:** **US D717,069 S**

(45) **Date of Patent:** **** Nov. 11, 2014**

(54) **LIQUID DISPENSER**

D386,345 S * 11/1997 Juarez D6/544
D409,480 S * 5/1999 Zadro D6/544
D465,367 S * 11/2002 Pruijssers D6/545

(71) Applicant: **Umbra LLC**, Buffalo, NY (US)

* cited by examiner

(72) Inventor: **Dennis Hwei-Feng Cheng**, Tononto (CA)

Primary Examiner — Brian N Vinson

(73) Assignee: **Umbra LLC**, Buffalo, NY (US)

(74) *Attorney, Agent, or Firm* — Simpson & Simpson, PLLC

(**) Term: **14 Years**

(57) **CLAIM**

The ornamental design for liquid dispenser, as shown and described.

(21) Appl. No.: **29/483,593**

DESCRIPTION

(22) Filed: **Feb. 28, 2014**

FIG. 1 is a front perspective view of a liquid dispenser of the present invention;

(51) **LOC (10) Cl.** **23-02**

FIG. 2 is a rear perspective view of the invention shown in FIG. 1;

(52) **U.S. Cl.**
USPC **D6/544**; D6/545

FIG. 3 is a front elevational view of the invention shown in FIG. 1;

(58) **Field of Classification Search**
USPC D6/542-545; 222/92, 105, 173, 180,
222/181.1, 181.3; 221/282-283; 206/77.1
See application file for complete search history.

FIG. 4 is a rear elevational view of the invention shown in FIG. 1;

FIG. 5 is a right side elevational view of the invention shown in FIG. 1;

(56) **References Cited**

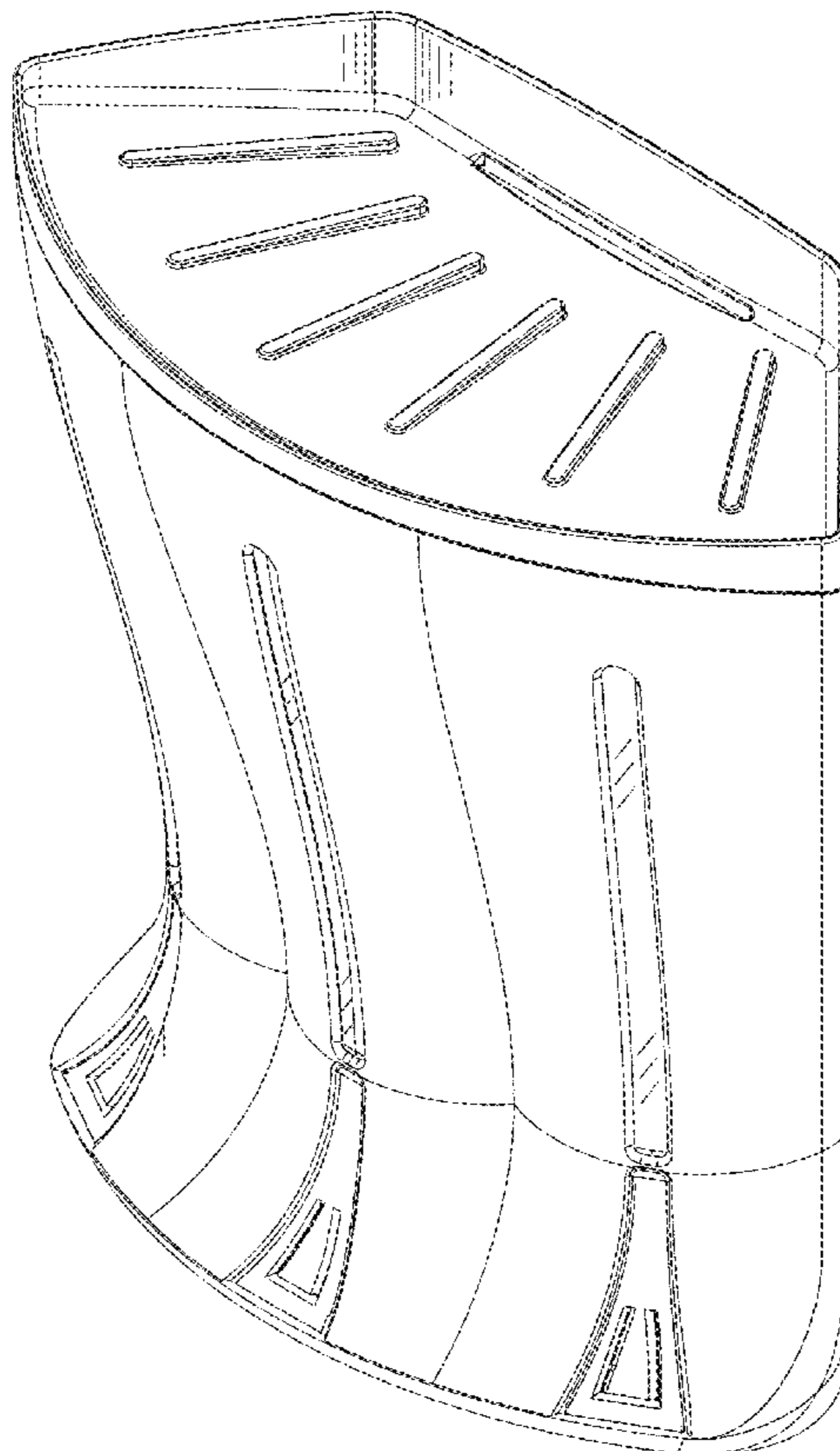
U.S. PATENT DOCUMENTS

D252,783 S * 9/1979 Rizzuto D6/544
D330,138 S * 10/1992 Riendl D6/544

FIG. 6 is a left side elevational view of the invention shown in FIG. 1;

FIG. 7 is a top plan view of the invention shown in FIG. 1; and,
FIG. 8 is a bottom plan view of the invention shown in FIG. 1.

1 Claim, 7 Drawing Sheets



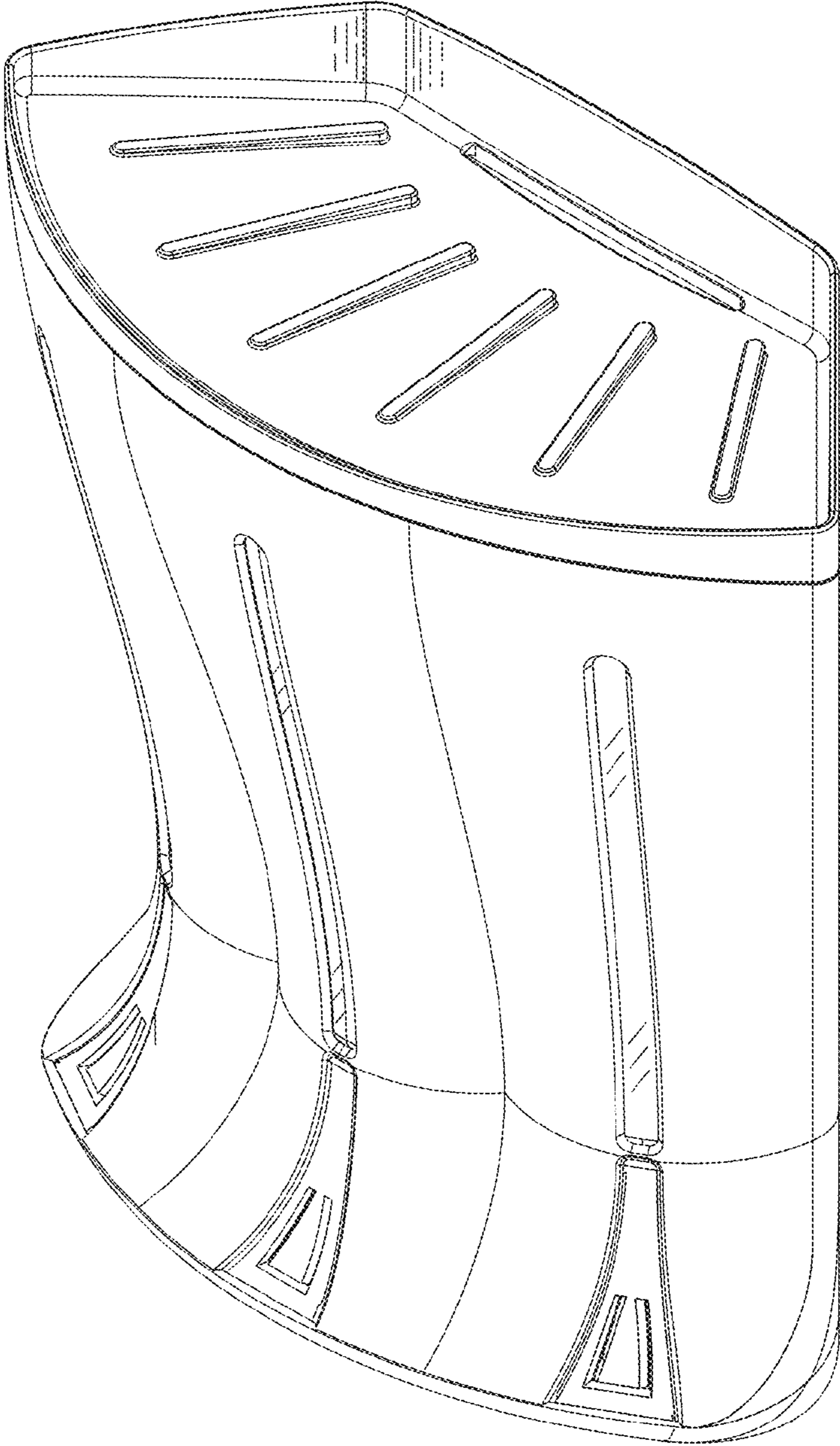


Fig. 1

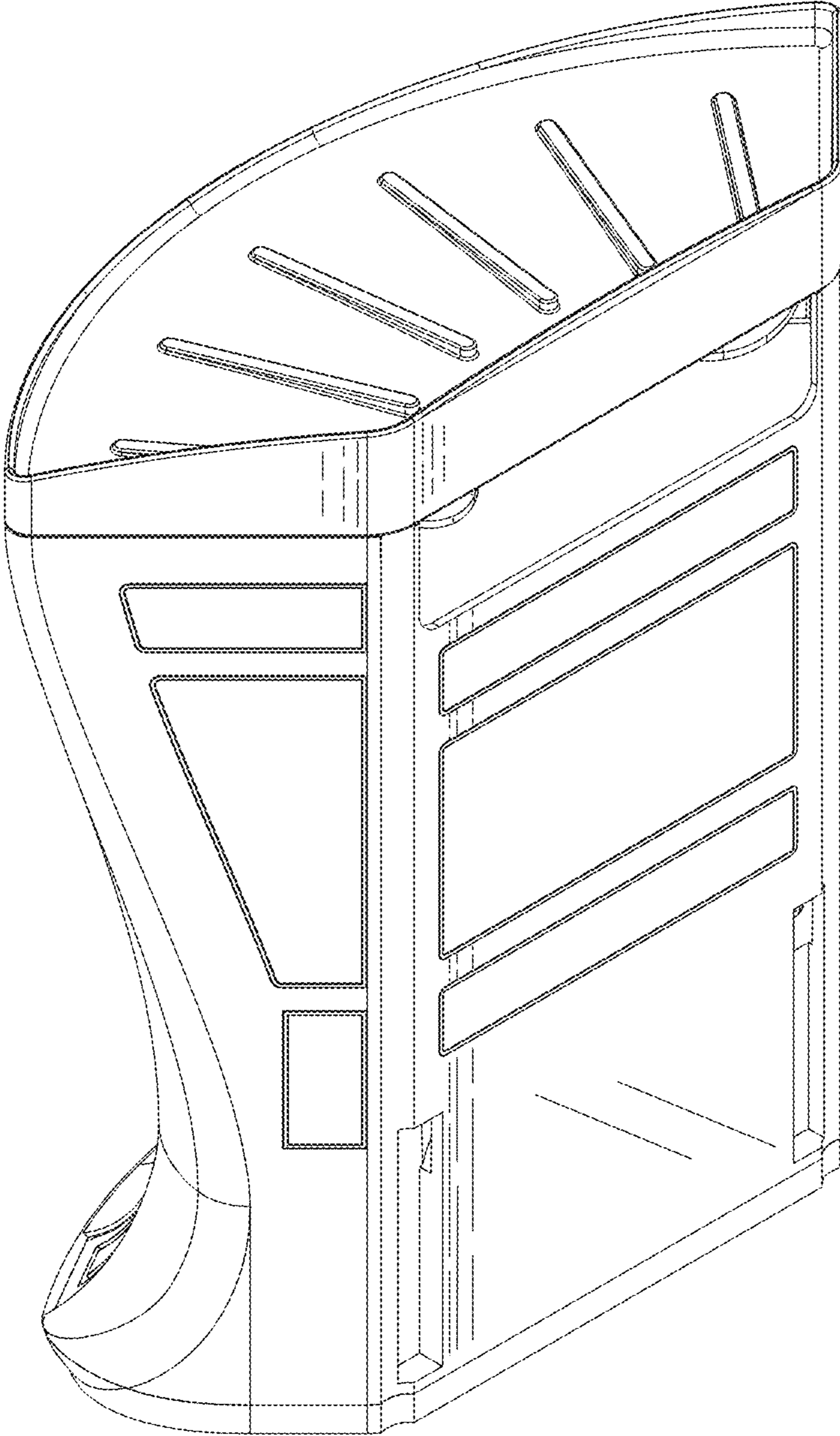


Fig. 2

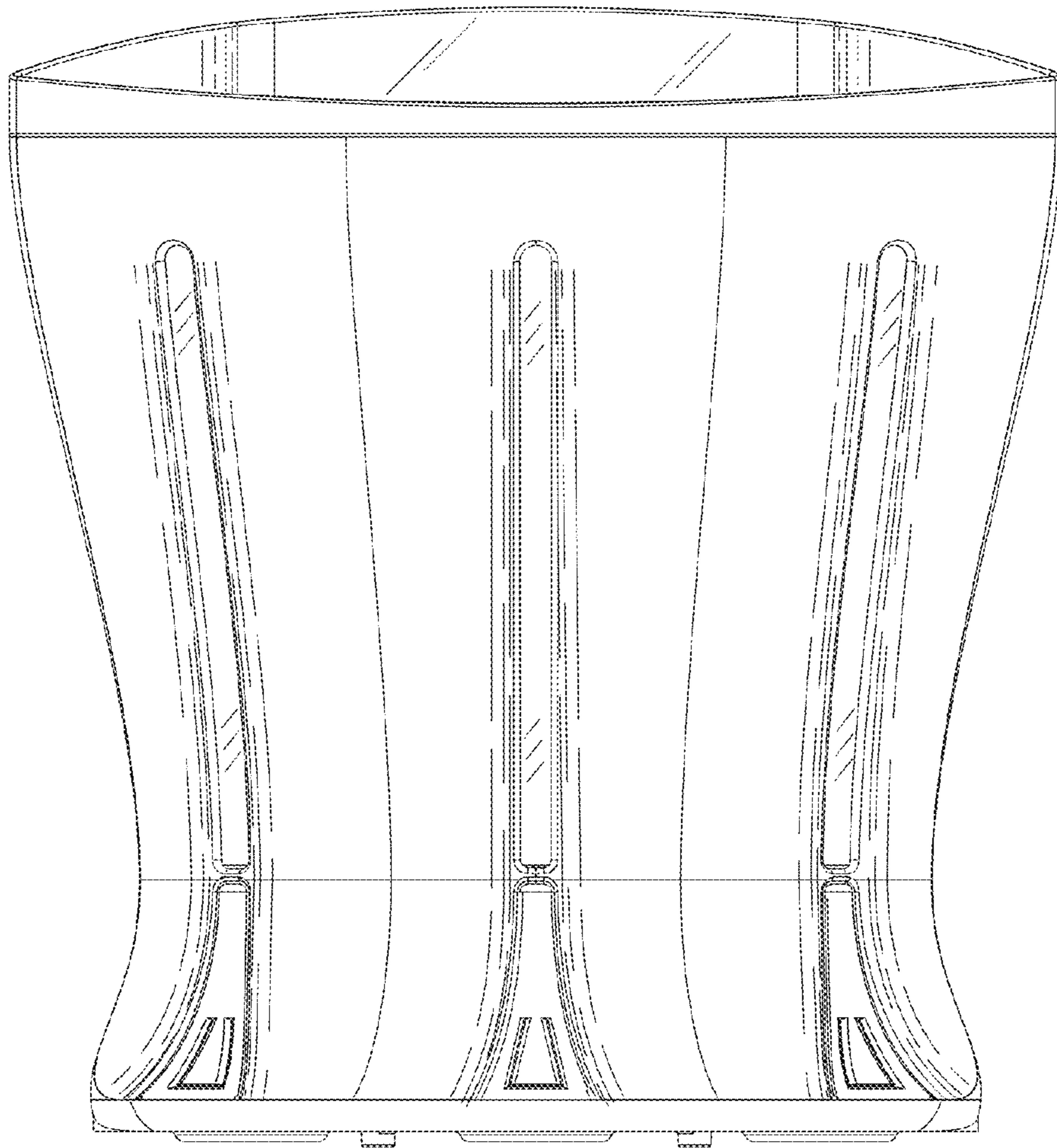


Fig. 3

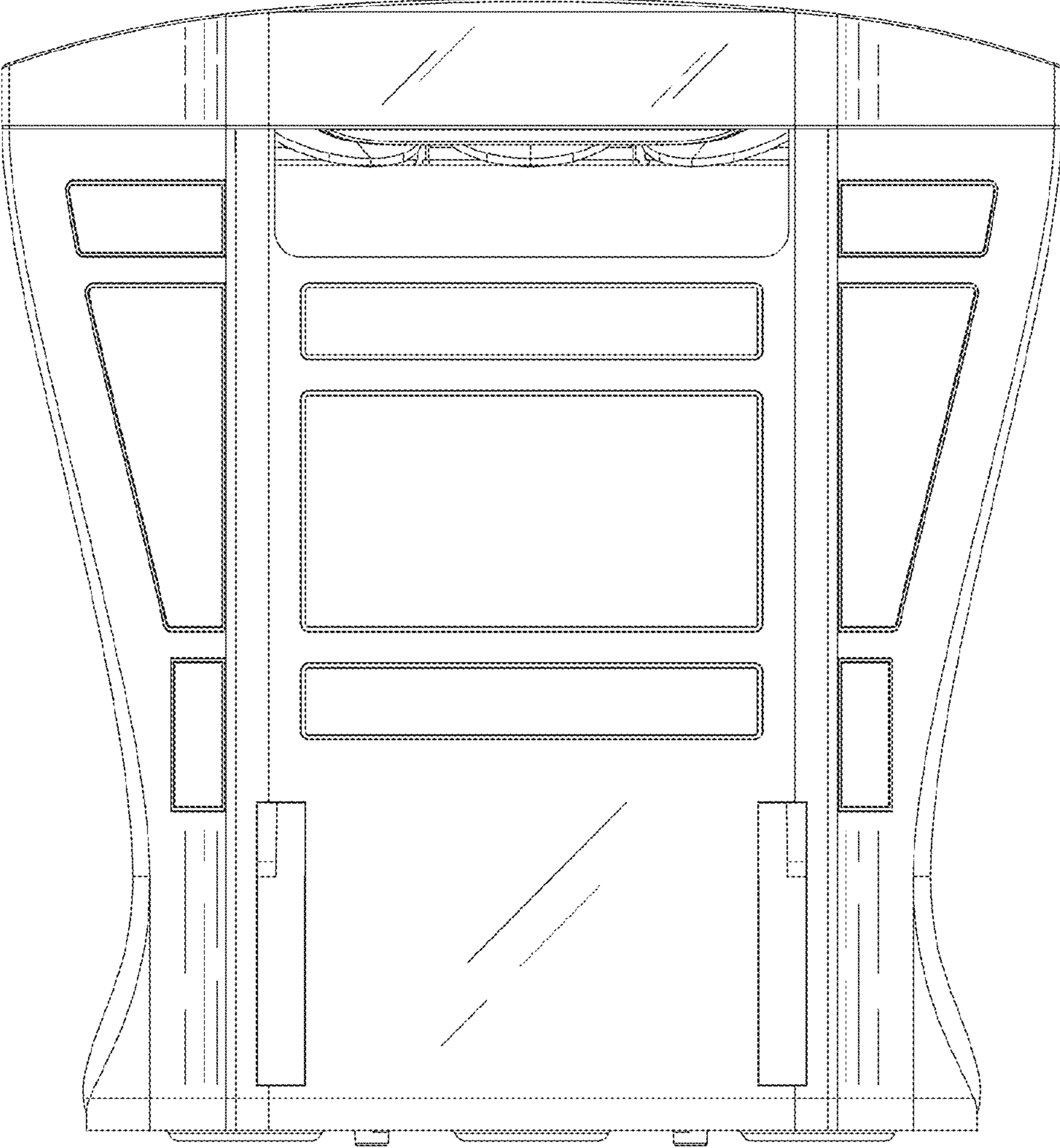


Fig. 4

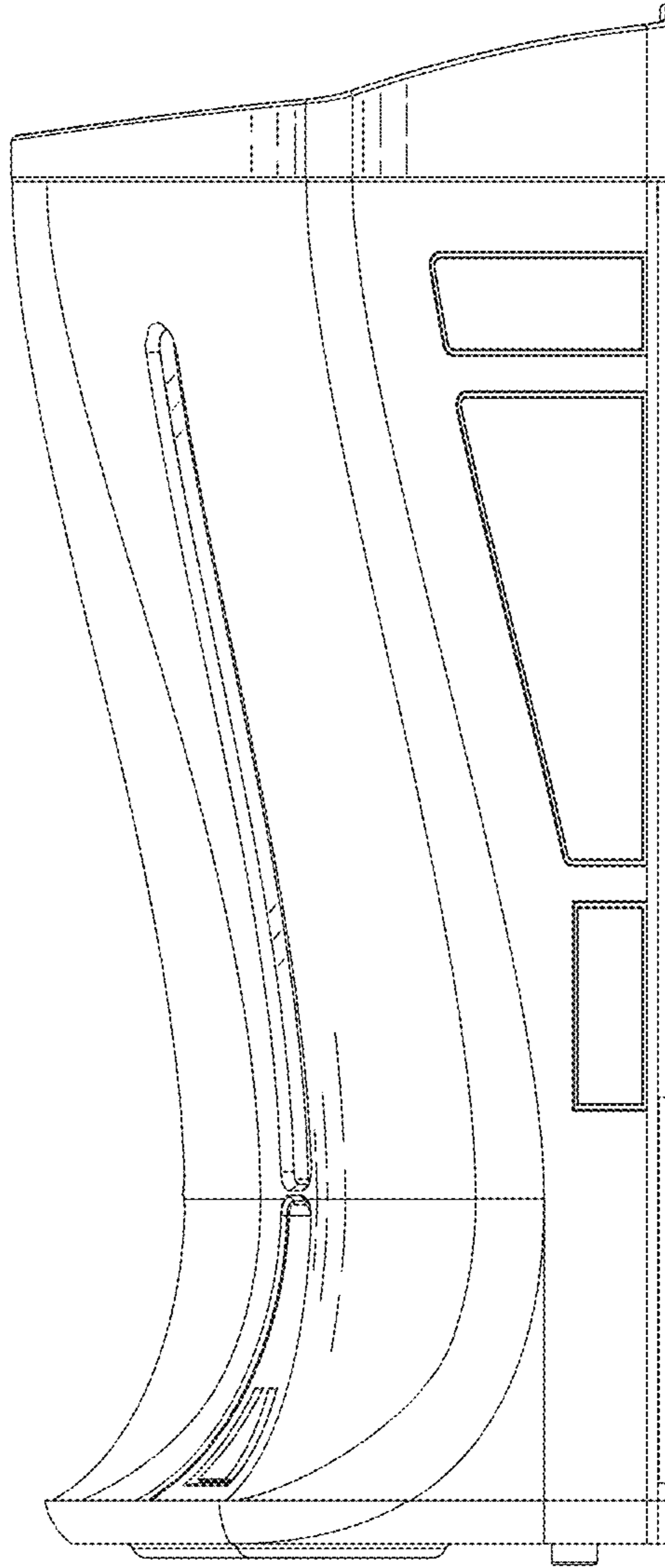


Fig. 5

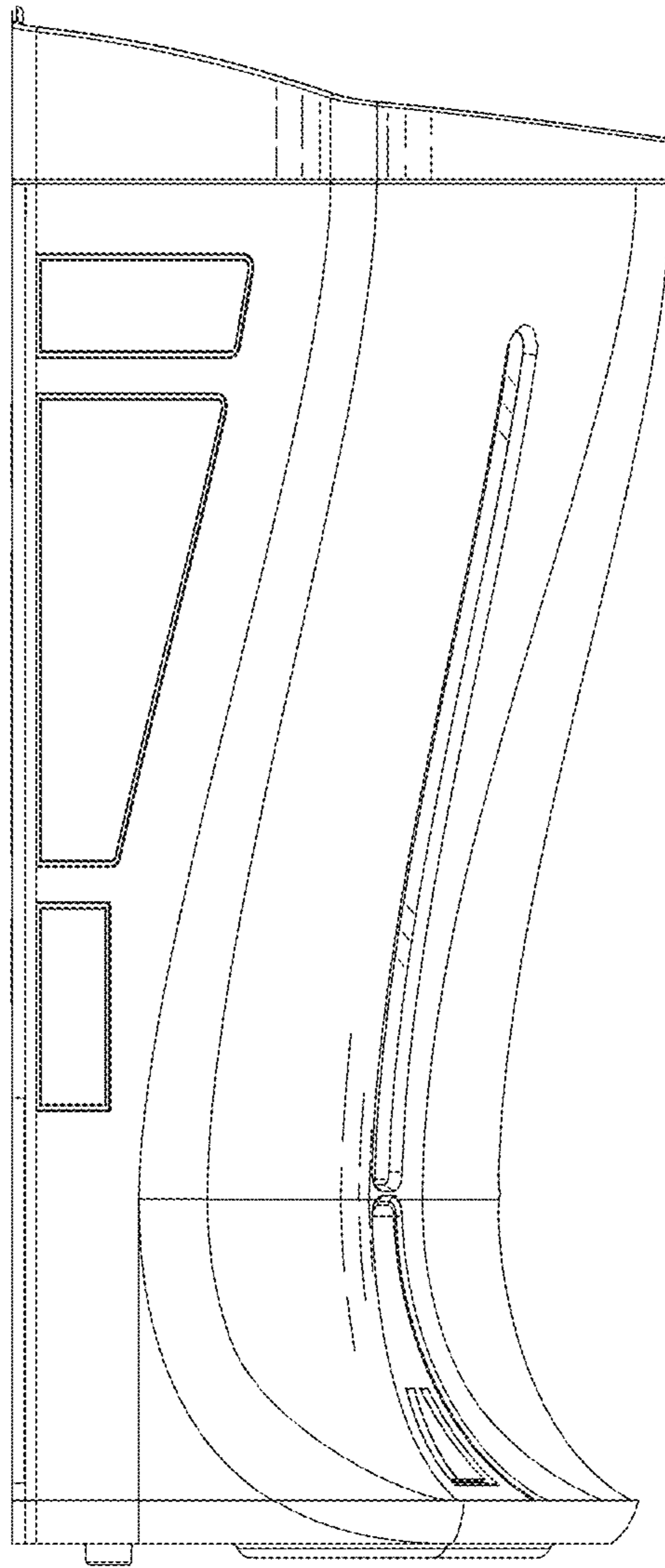


Fig. 6

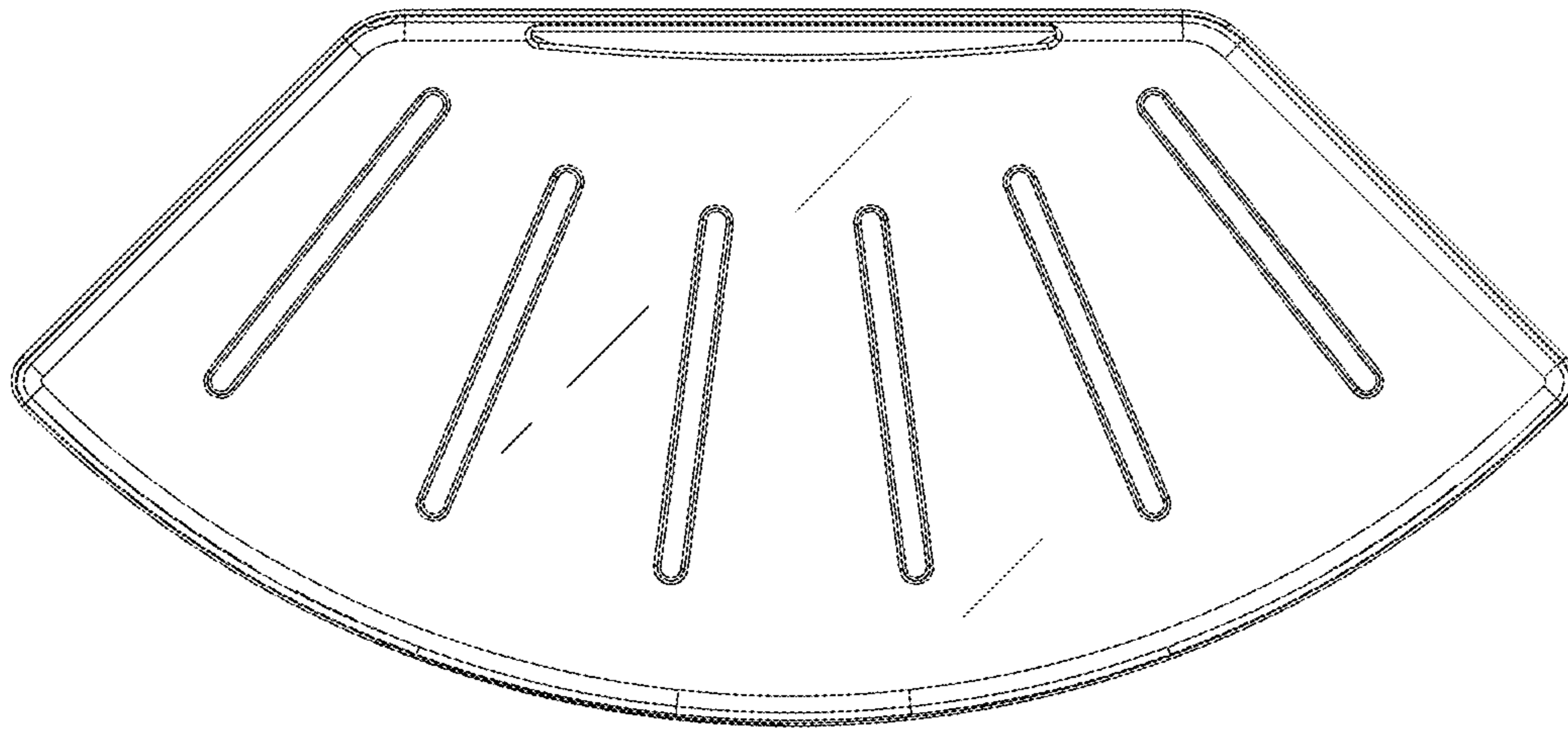


Fig. 7

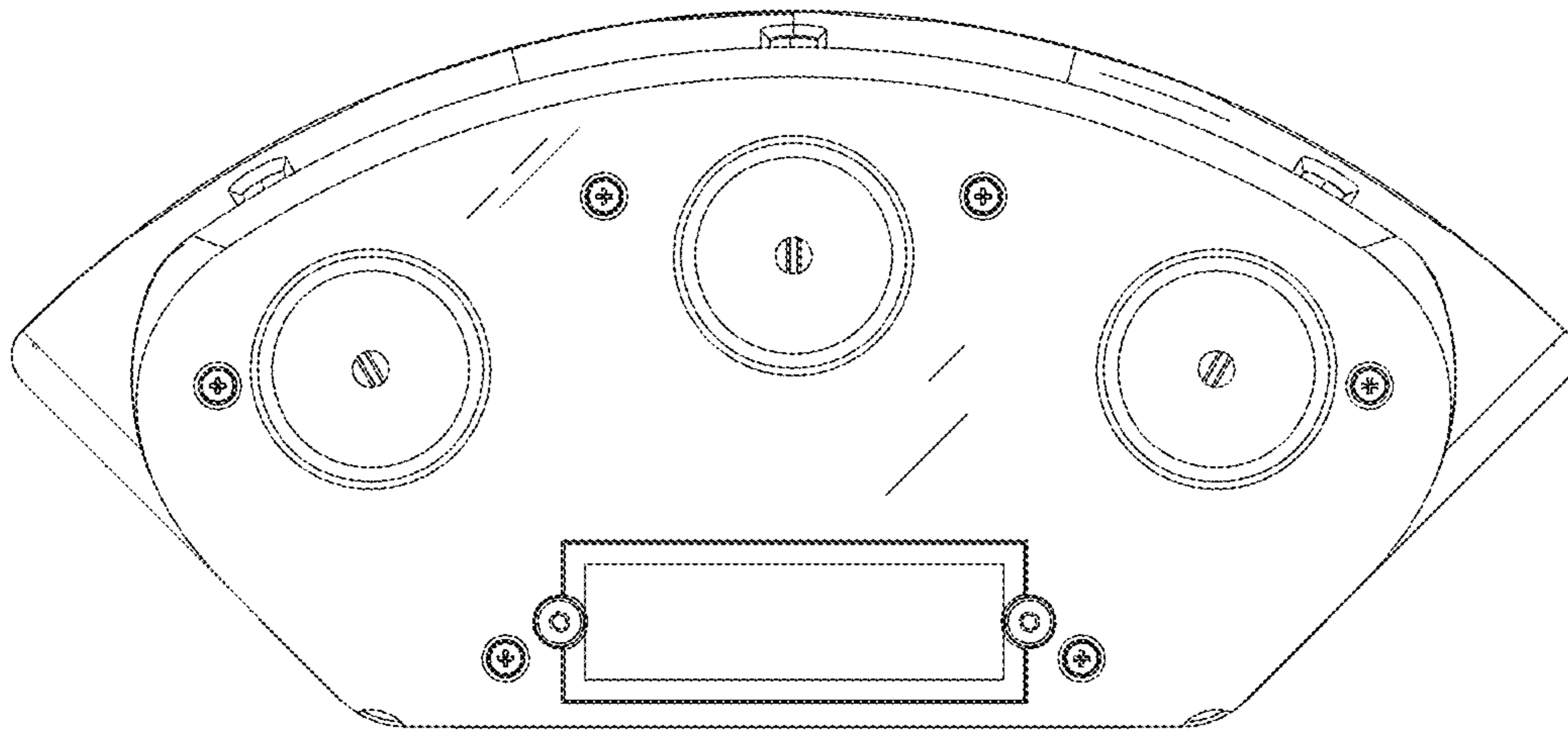


Fig. 8