



US00D717068S

(12) **United States Design Patent**  
**Callif et al.**

(10) **Patent No.:** **US D717,068 S**

(45) **Date of Patent:** **\*\* Nov. 11, 2014**

(54) **HANGING BATHROOM DISH**

(56) **References Cited**

(71) Applicant: **Liberty Hardware Mfg. Corp.**,  
Winston-Salem, NC (US)

U.S. PATENT DOCUMENTS

(72) Inventors: **Adam W. Callif**, Chicago, IL (US);  
**Bridget Soldan**, Chicago, IL (US);  
**Geraint Krumpe**, Chicago, IL (US);  
**Jose Manuel dos Santos**, Chicago, IL  
(US)

D121,813 S *	8/1940	Isenberg .....	D6/537
D449,752 S *	10/2001	Snell .....	D6/537
6,669,033 B1 *	12/2003	Lian .....	D6/537
D543,403 S *	5/2007	Tau .....	D6/540
D612,648 S *	3/2010	Guindi .....	D6/537

\* cited by examiner

*Primary Examiner* — Brian N Vinson

(73) Assignee: **Liberty Hardware Mfg. Corp.**,  
Winston-Salem, NC (US)

(74) *Attorney, Agent, or Firm* — Lora J. Graentzdoerffer

(\*\*) Term: **14 Years**

(57) **CLAIM**

The ornamental design for a hanging bathroom dish, as shown and described.

(21) Appl. No.: **29/492,647**

**DESCRIPTION**

(22) Filed: **Jun. 2, 2014**

(51) **LOC (10) Cl.** ..... **23-02**

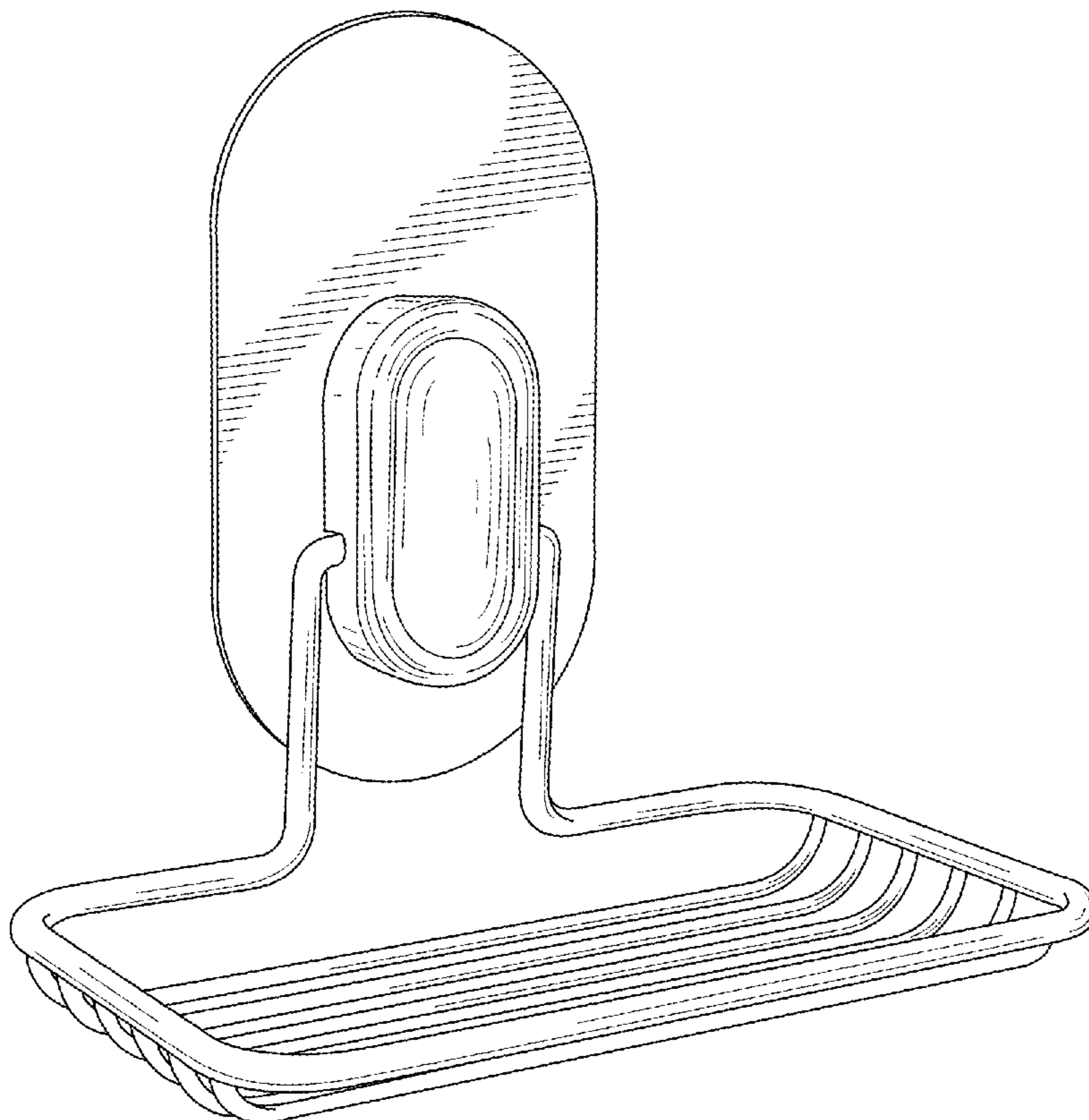
(52) **U.S. Cl.**  
USPC ..... **D6/537; D6/540**

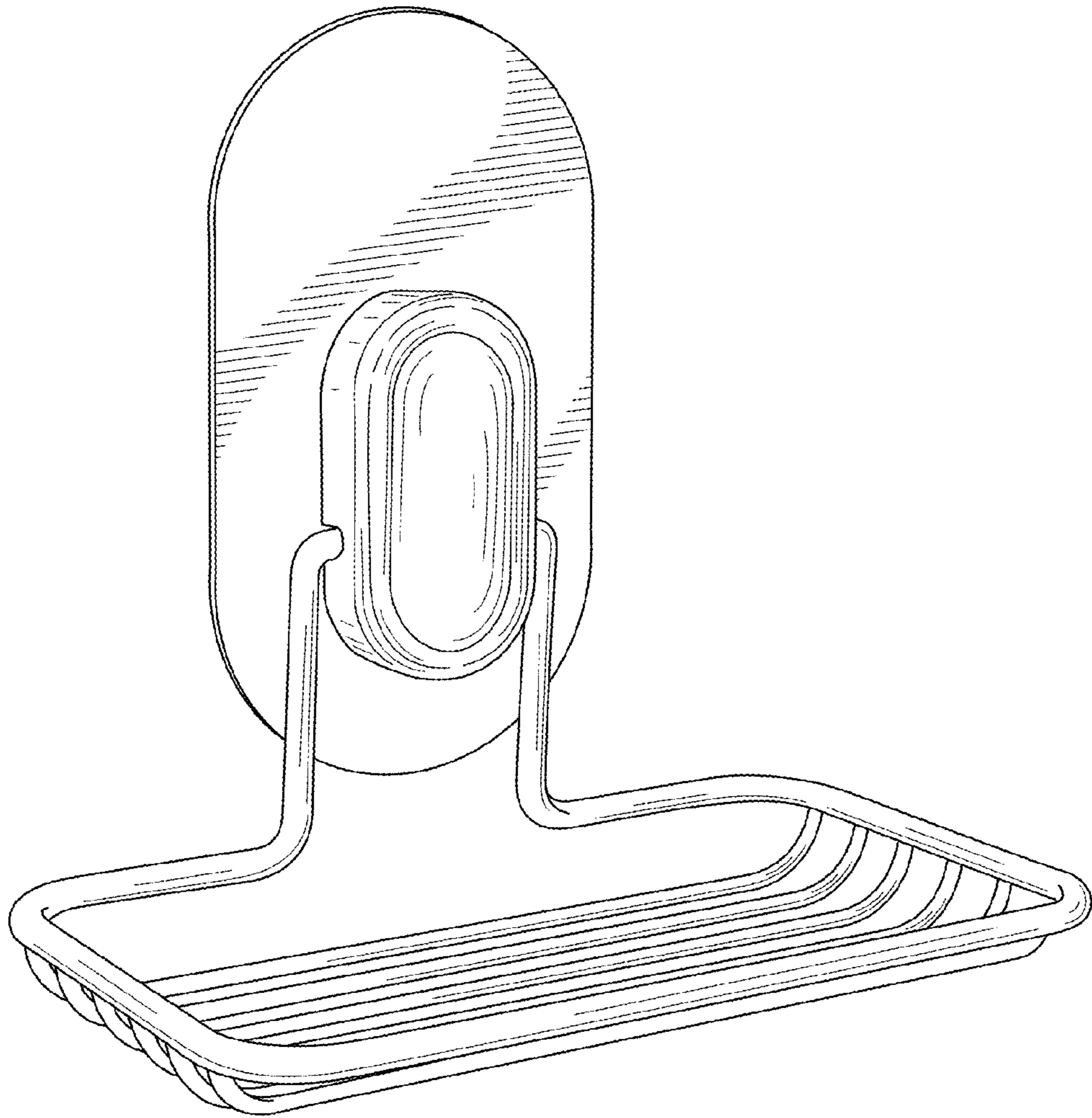
(58) **Field of Classification Search**  
USPC ..... D6/524, 525, 566, 536-537, 540;  
211/13.1, 74, 71.01, 86.01, 75, 88.01,  
211/90.01, 90.03, 106, 119, 126.1, 133.5,  
211/181.1, 134

FIG. 1 is a perspective view of a hanging bathroom dish showing our design;  
FIG. 2 is a front elevational view;  
FIG. 3 is a rear elevational view;  
FIG. 4 is a left side elevational view;  
FIG. 5 is a right side elevational view;  
FIG. 6 is a top plan view; and,  
FIG. 7 is a bottom plan view.

See application file for complete search history.

**1 Claim, 5 Drawing Sheets**





**FIG. 1**

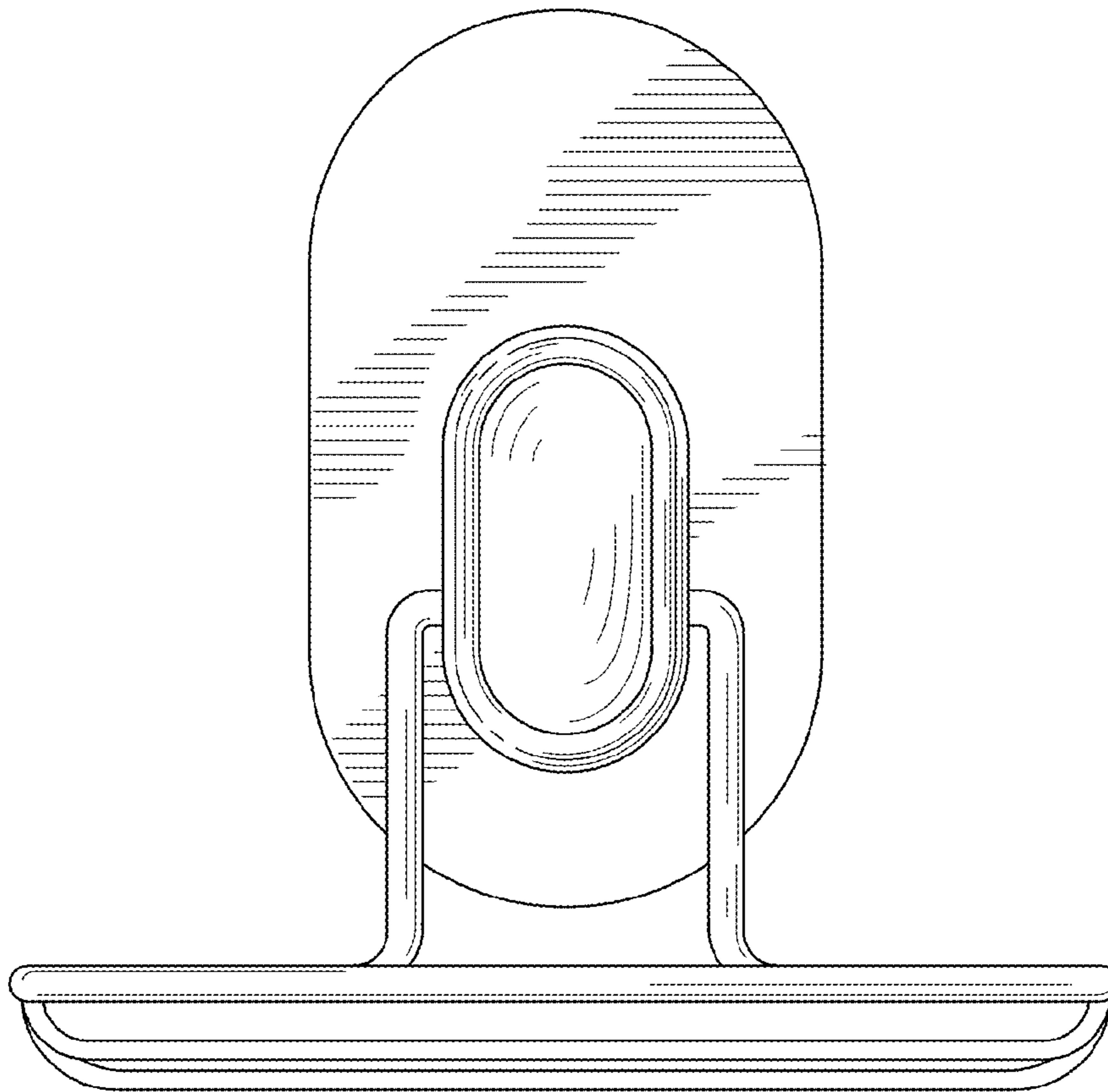
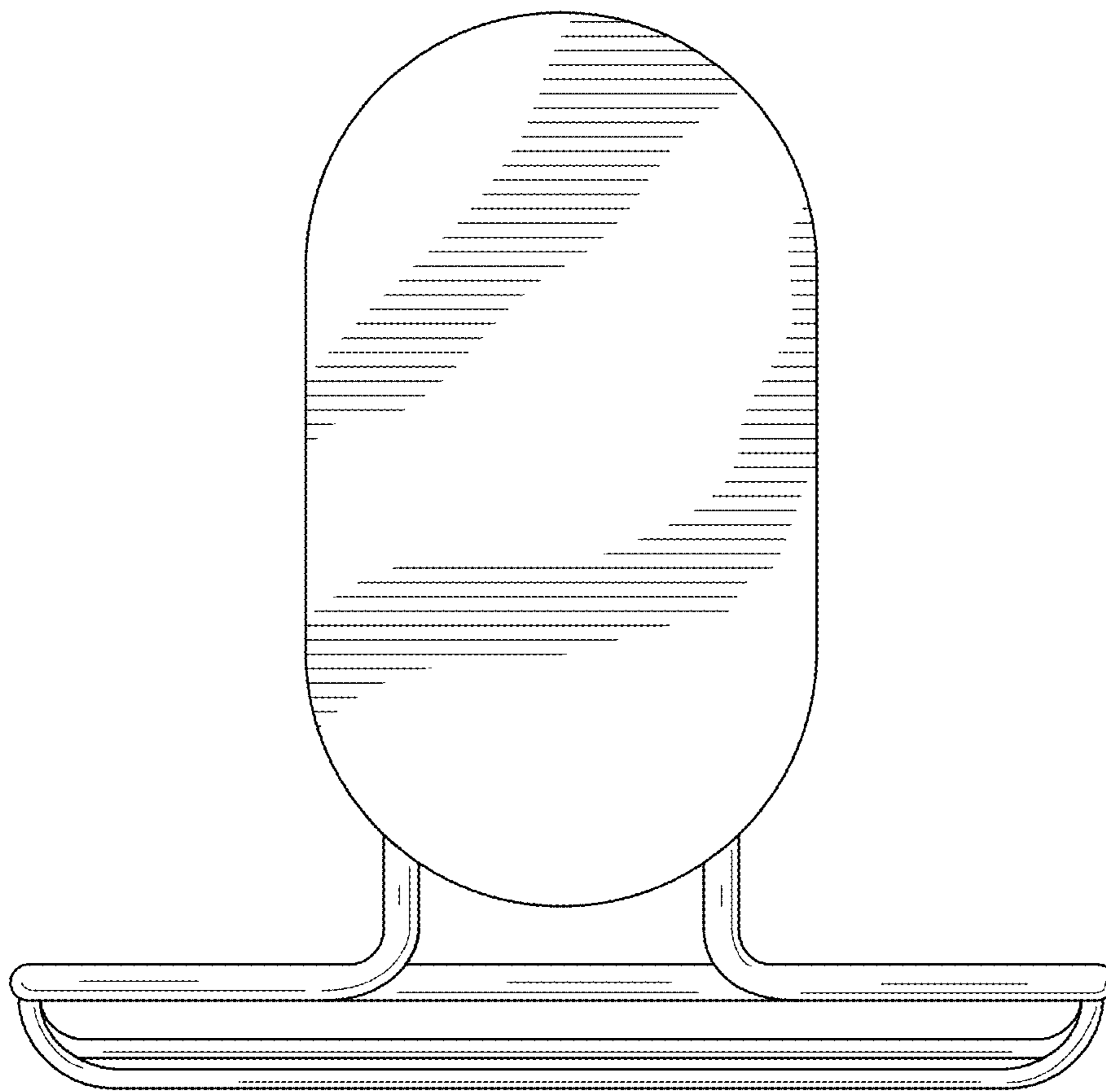
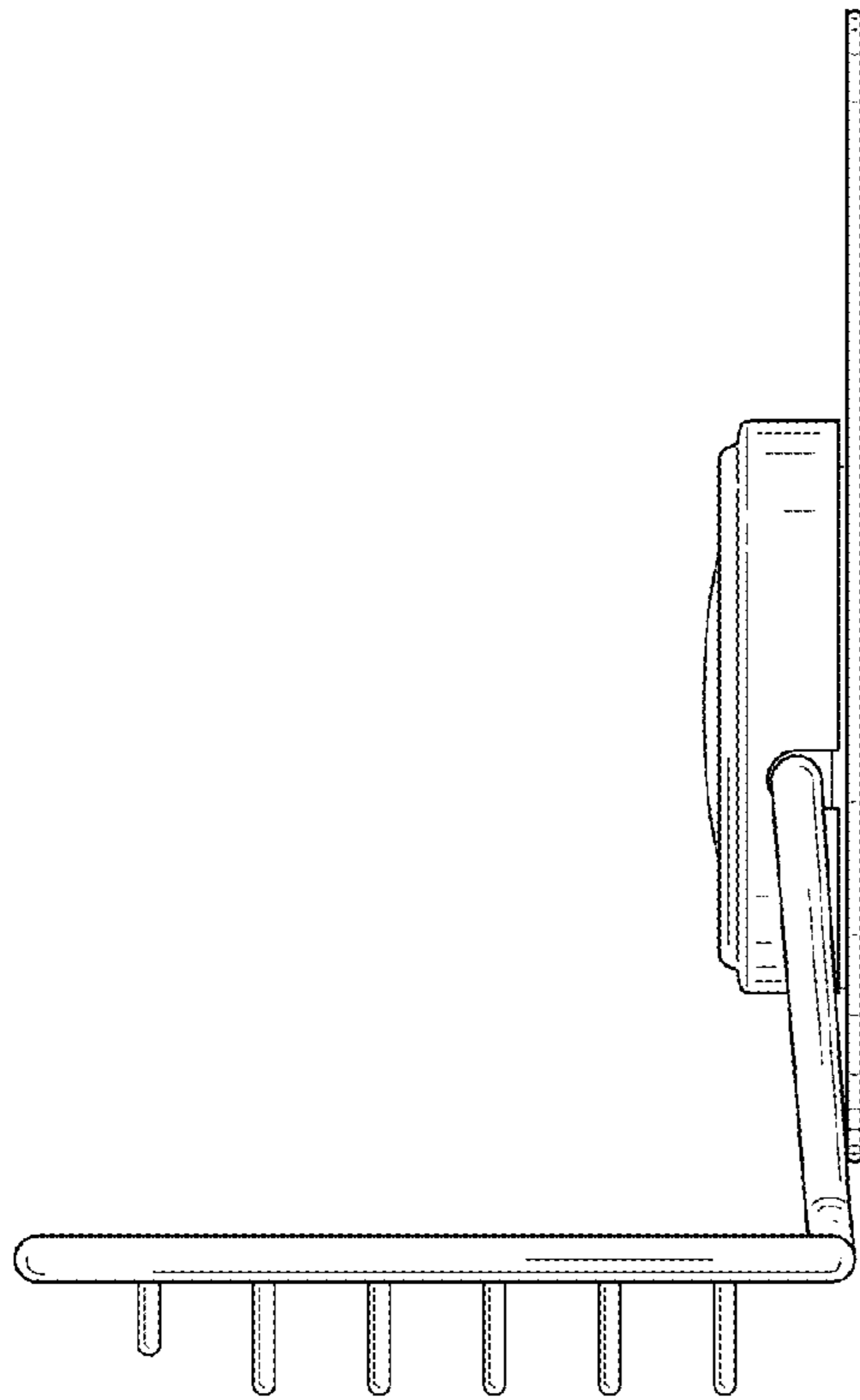


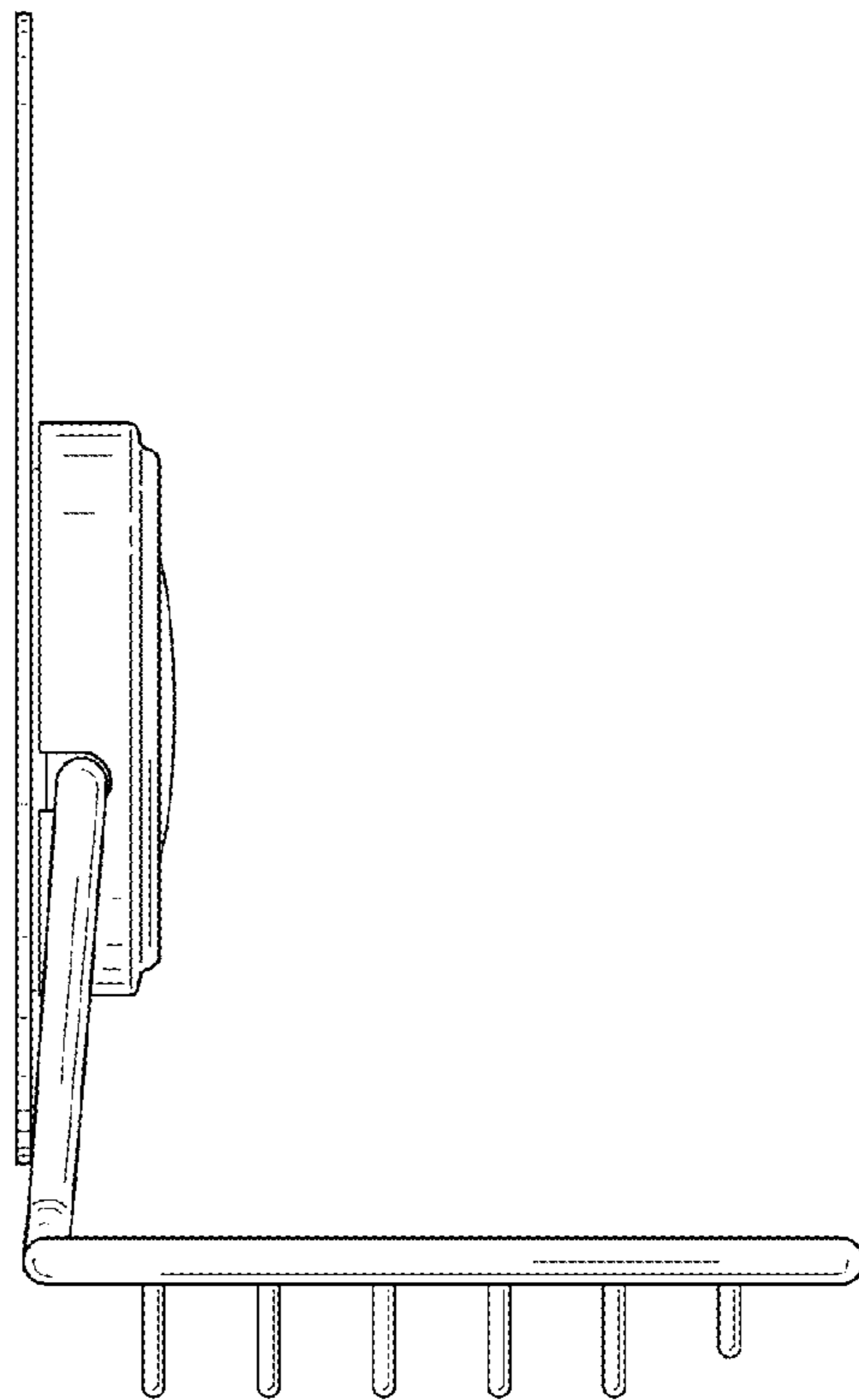
FIG. 2



**FIG. 3**



**FIG. 4**



**FIG. 5**

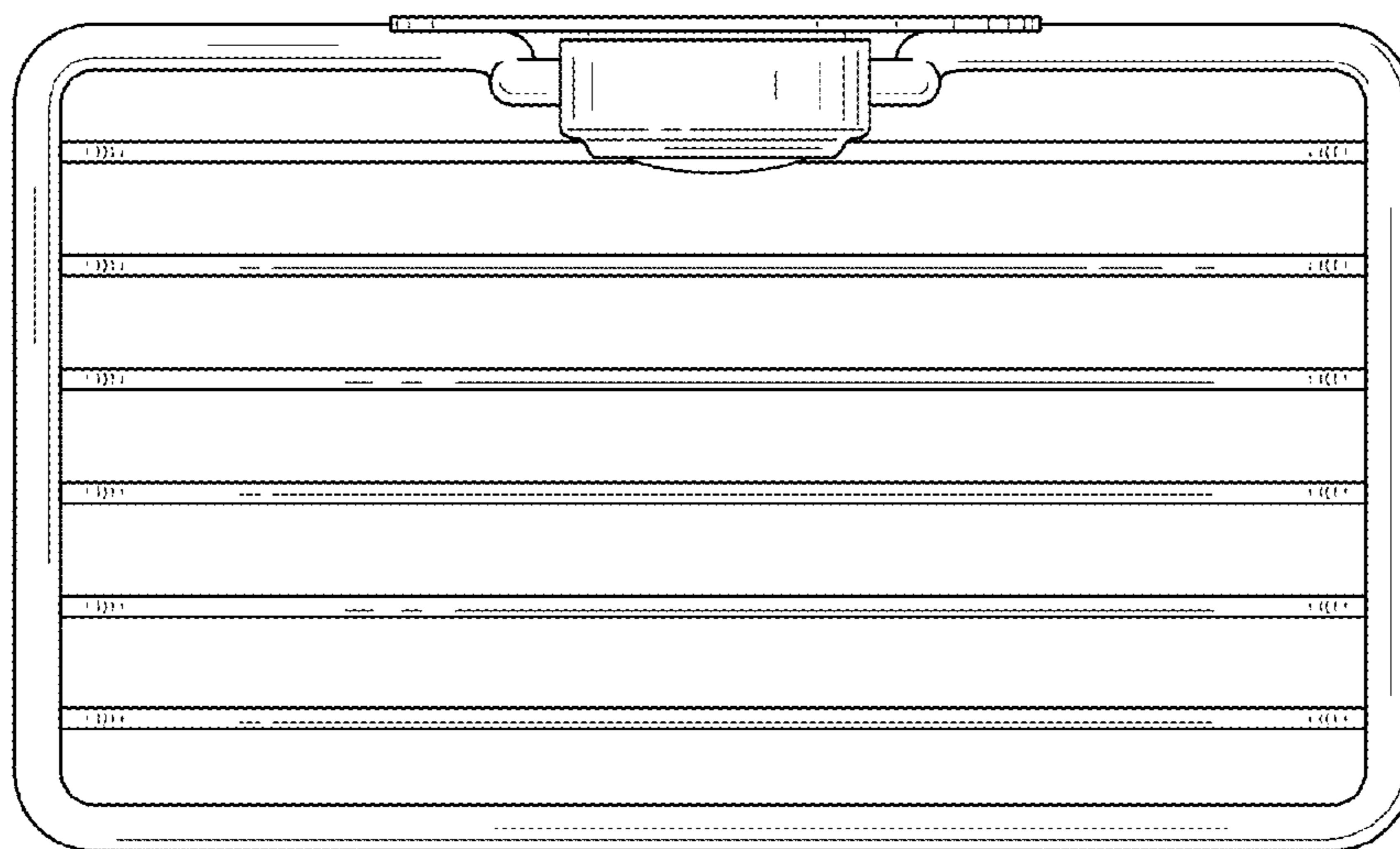


FIG. 6

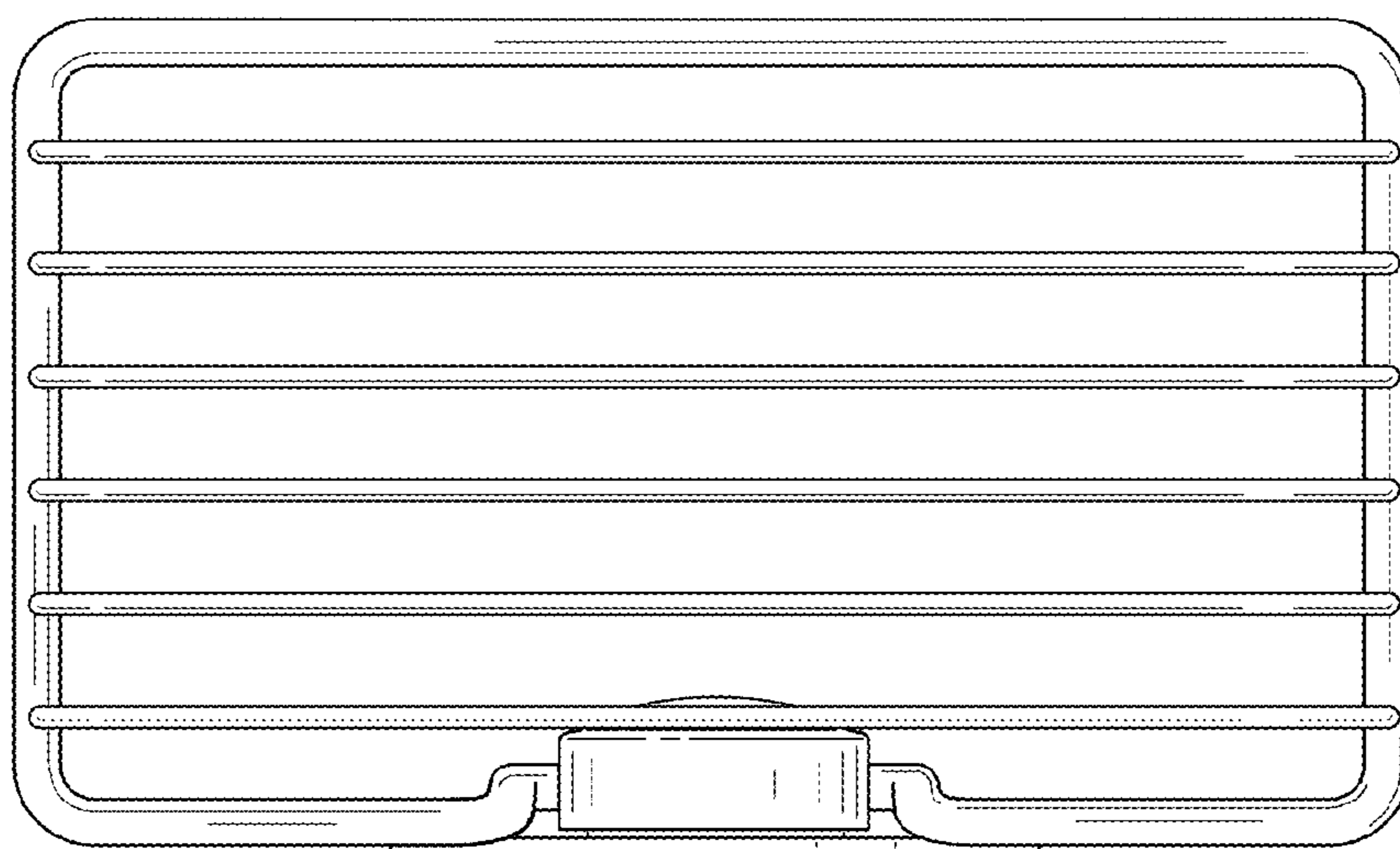


FIG. 7