



US00D717065S

(12) **United States Design Patent**  
**James**

(10) **Patent No.:** **US D717,065 S**

(45) **Date of Patent:** **\*\* Nov. 11, 2014**

- (54) **BED**
- (71) Applicant: **Standard Furniture Manufacturing Co., Inc.**, Bay Minette, AL (US)
- (72) Inventor: **Gary W James**, Dove Canyon, CA (US)
- (73) Assignee: **Standard Furniture Manufacturing Co., Inc.**, Bay Minette, AL (US)
- (\*\*) Term: **14 Years**
- (21) Appl. No.: **29/464,159**
- (22) Filed: **Aug. 13, 2013**
- (51) **LOC (10) Cl.** ..... **06-02**
- (52) **U.S. Cl.**  
USPC ..... **D6/393**
- (58) **Field of Classification Search**  
USPC ..... D6/382, 383, 384, 389, 393, 394, 718,  
D6/718.13, 718.14, 718.19, 718.2, 718.24,  
D6/718.22; 5/53.1, 279.1, 280, 281, 2.1  
See application file for complete search history.

- D524,074 S \* 7/2006 Mohundro ..... D6/393
- D542,050 S \* 5/2007 Domack et al. .... D6/393
- D662,724 S \* 7/2012 Kemppainen ..... D6/393

\* cited by examiner

*Primary Examiner* — Janice Seeger

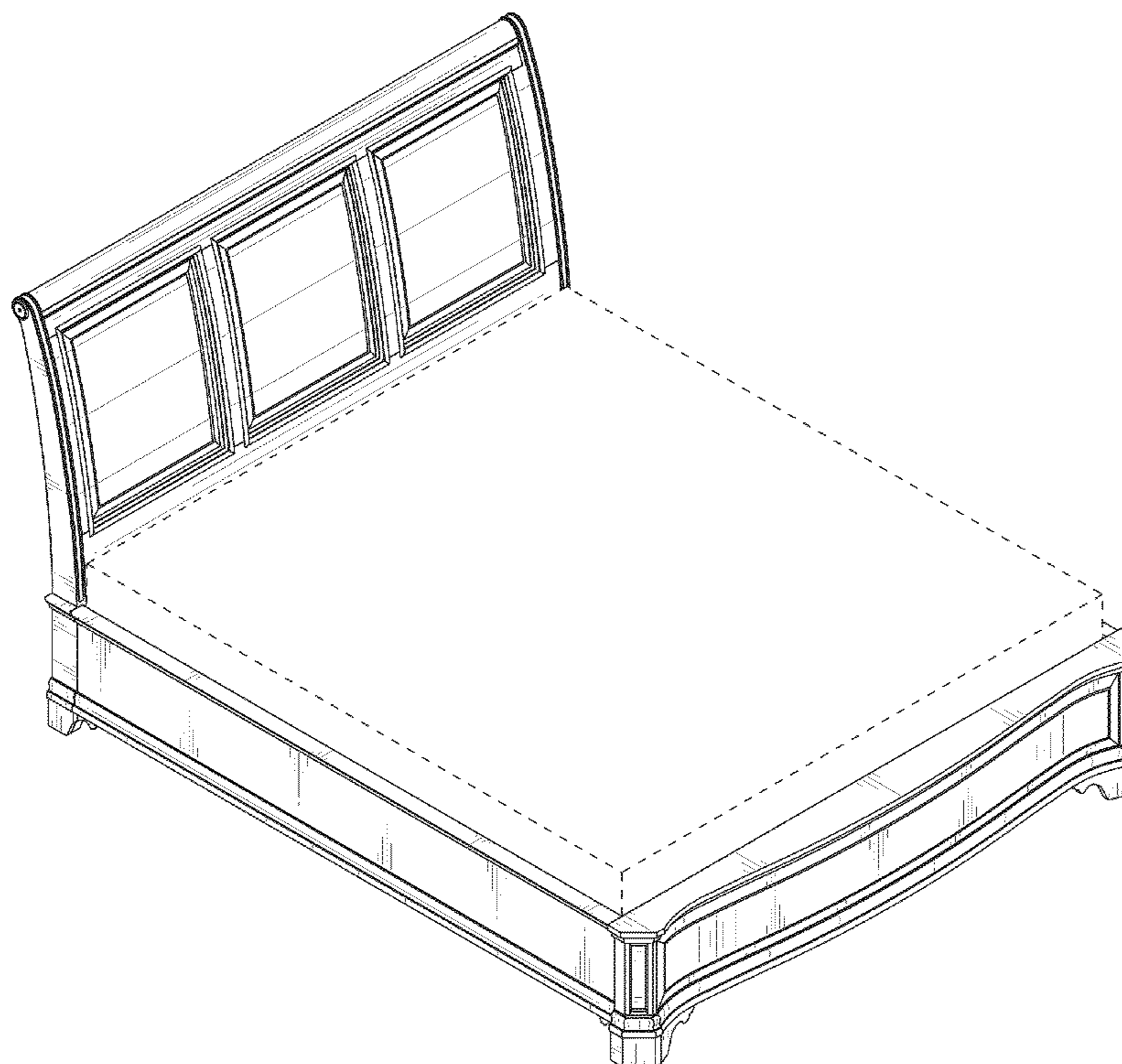
(57) **CLAIM**  
I claim the ornamental design for a bed, as shown and described.

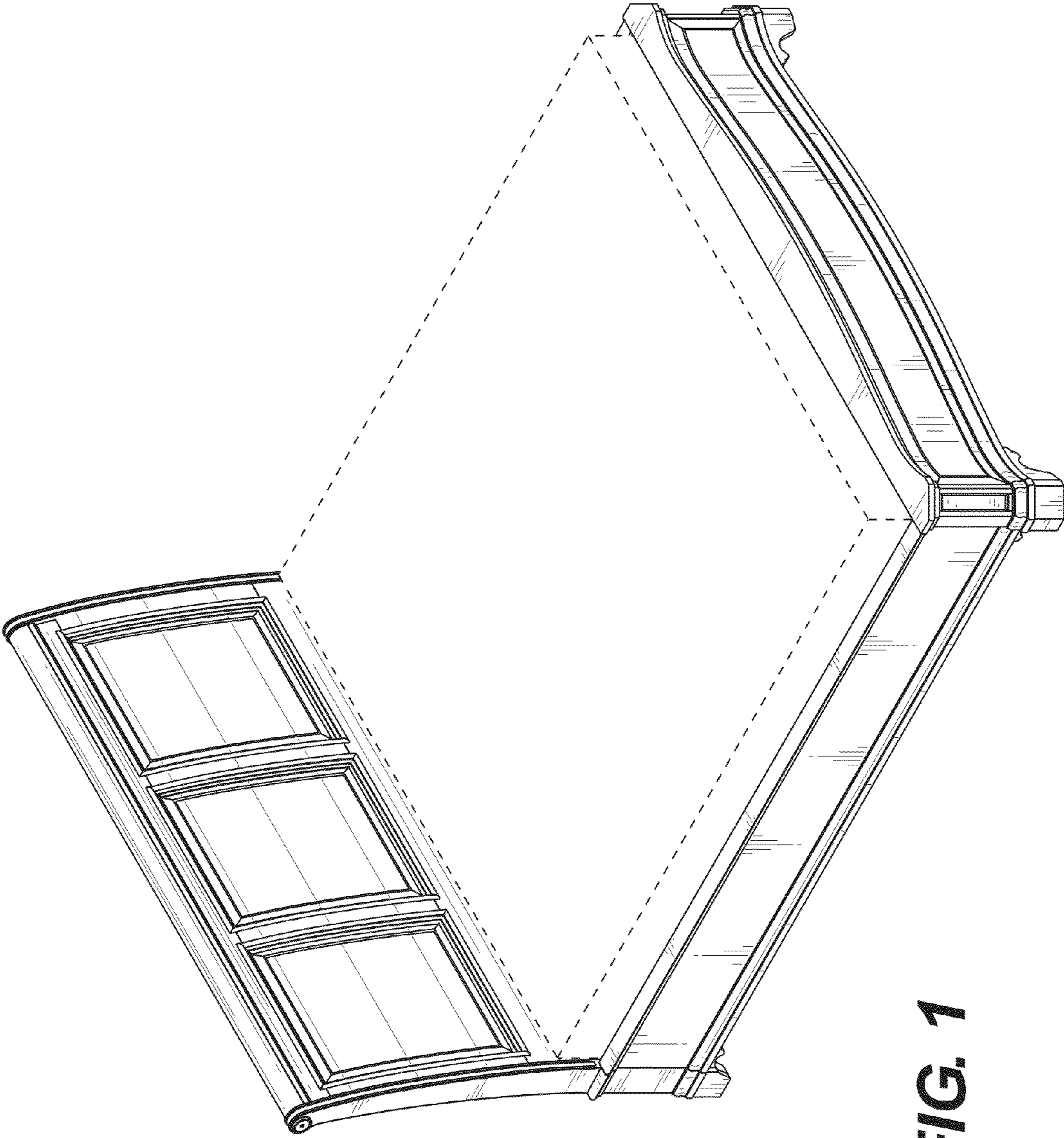
**DESCRIPTION**

FIG. 1 is a perspective view of a bed illustrating the claimed design and with a mattress shown thereon in phantom line; FIG. 2 is a perspective view of the design of the bed shown in FIG. 1 with the mattress removed; FIG. 3 is a front side view of the design of the bed shown in FIG. 1; FIG. 4 is a back side view of the design of the bed shown in FIG. 1; FIG. 5 is a right side view of the design of the bed shown in FIG. 1; FIG. 6 is a left side view of the design of the bed shown in FIG. 1; and, FIG. 7 is a top view of the design of the bed shown in FIG. 1. The bottom of the bed, not shown, forms no part of the claimed design. The broken lines in the drawings are for illustrative purposes only and form no part of the claimed design.

**1 Claim, 7 Drawing Sheets**

- (56) **References Cited**  
U.S. PATENT DOCUMENTS  
D503,295 S \* 3/2005 O'Hare ..... D6/393  
D512,244 S \* 12/2005 Prillaman et al. .... D6/393  
D514,843 S \* 2/2006 Vaaler ..... D6/393  
D516,339 S \* 3/2006 Mohundro ..... D6/393





**FIG. 1**

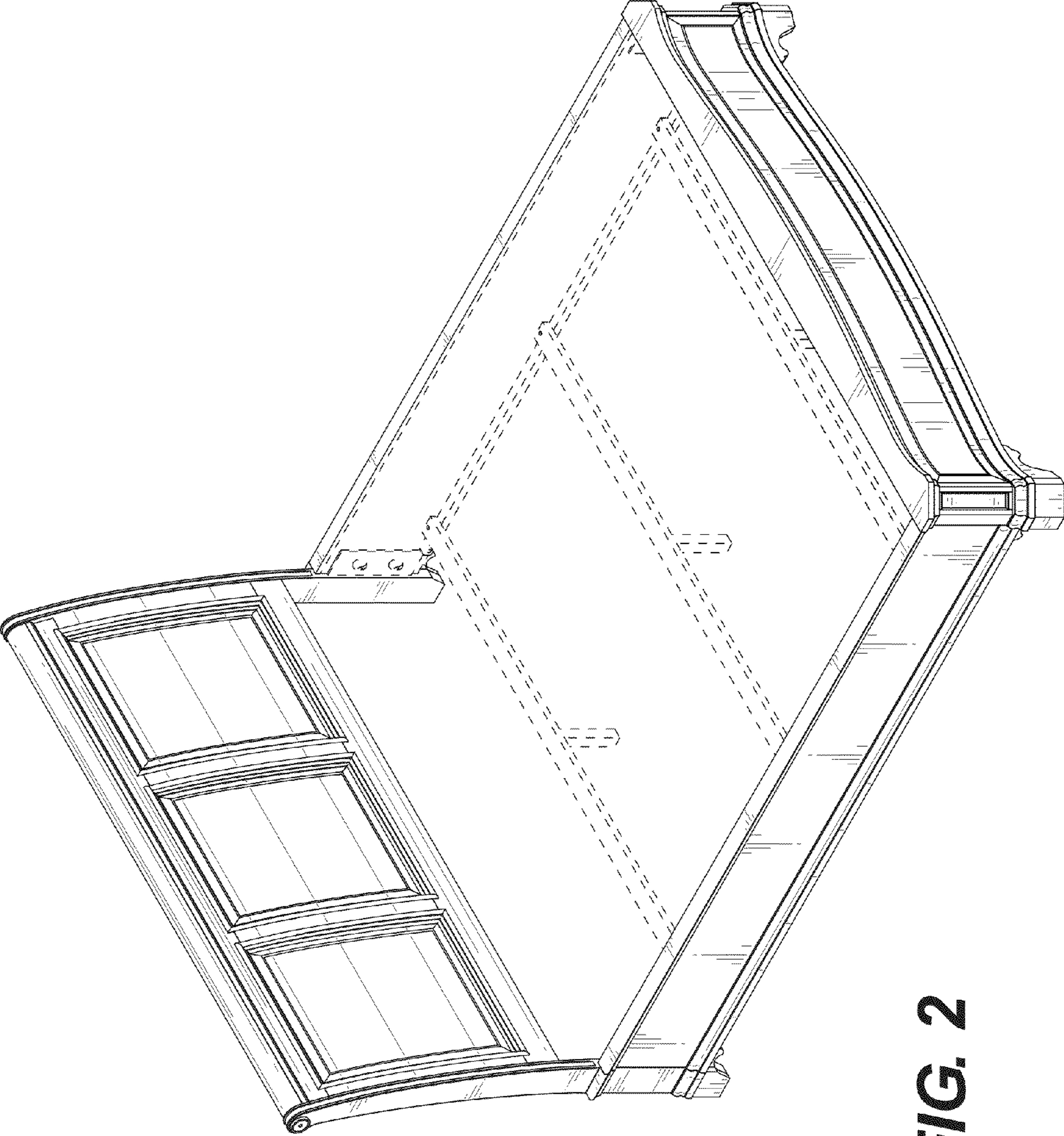
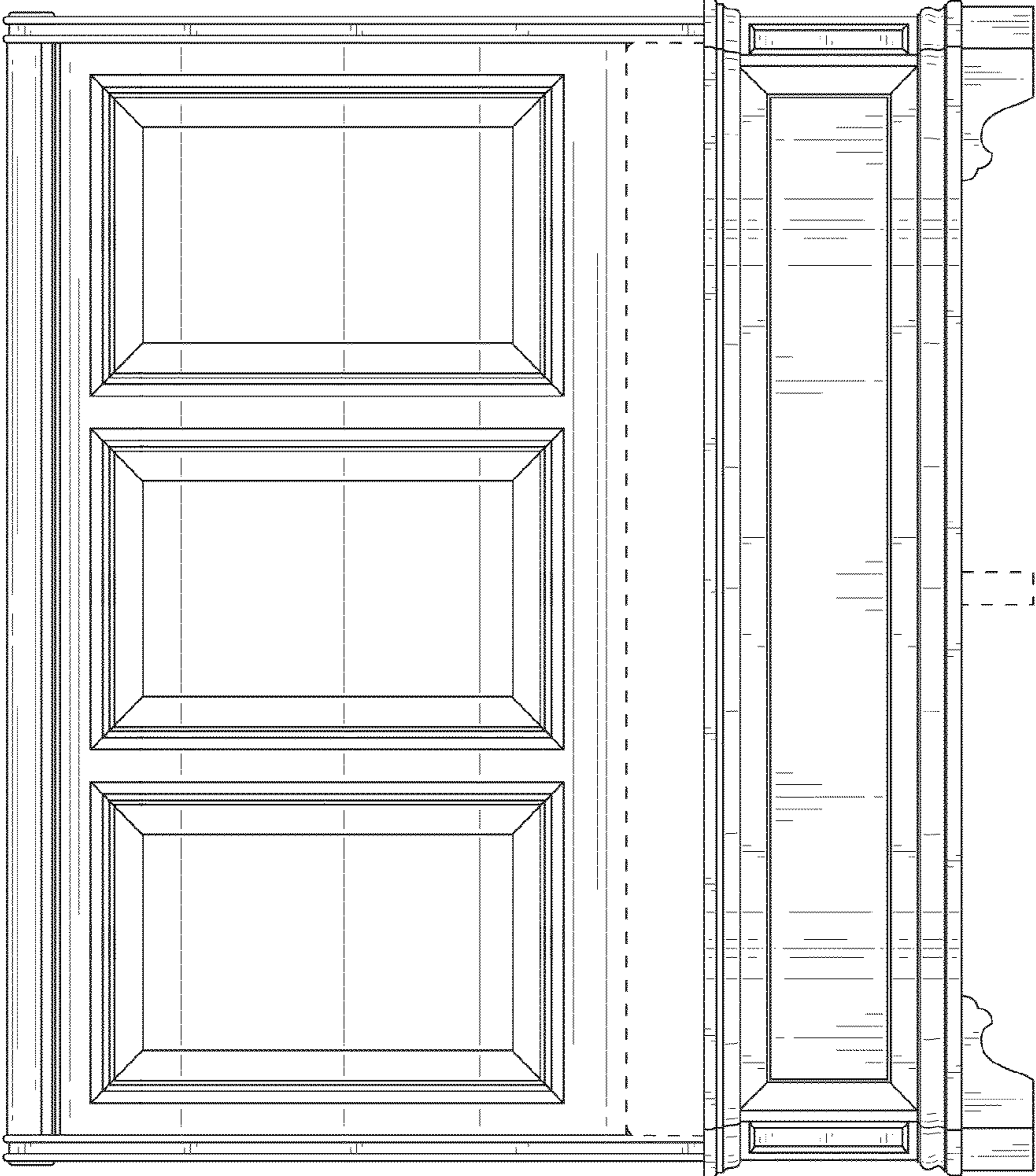
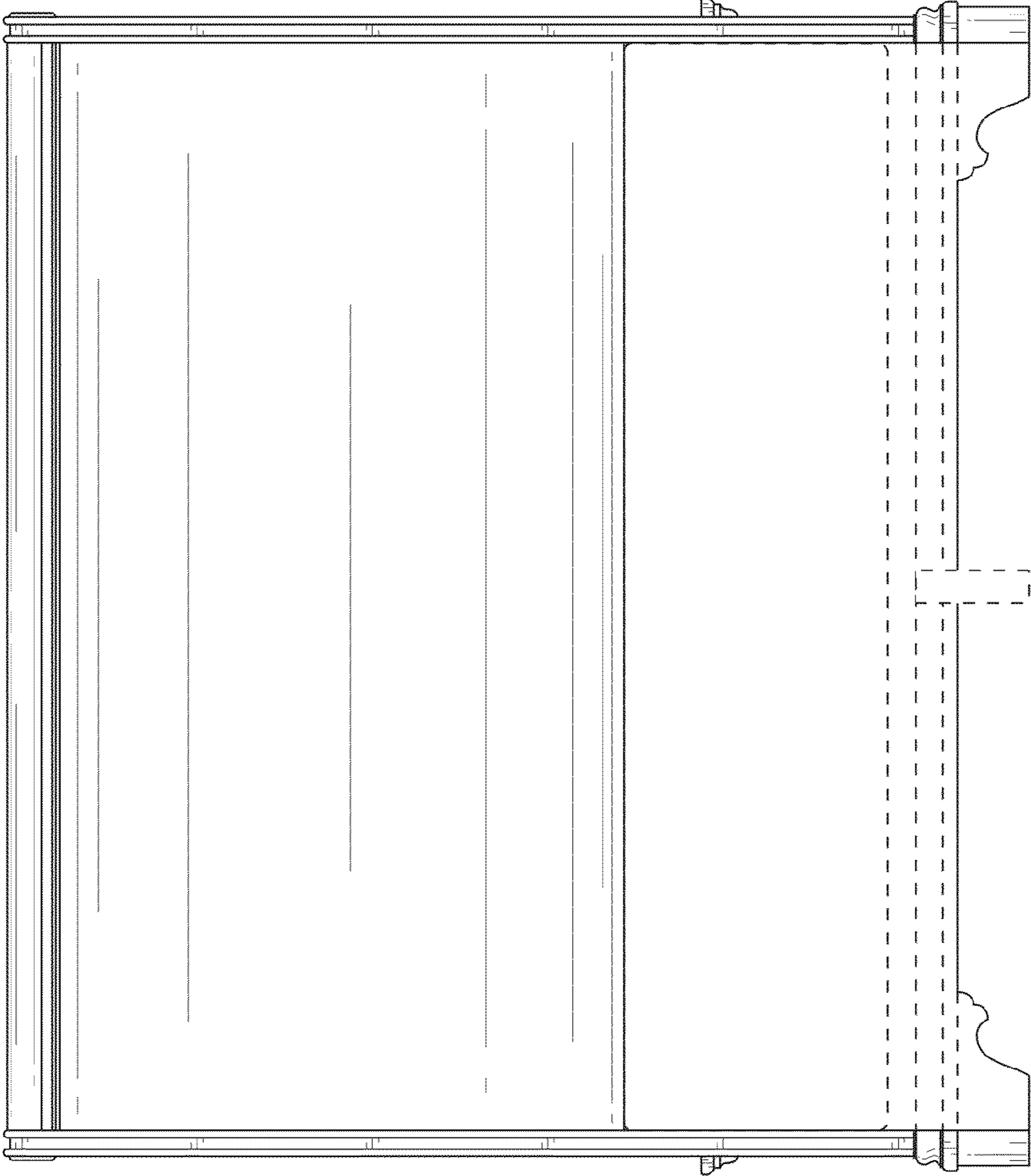


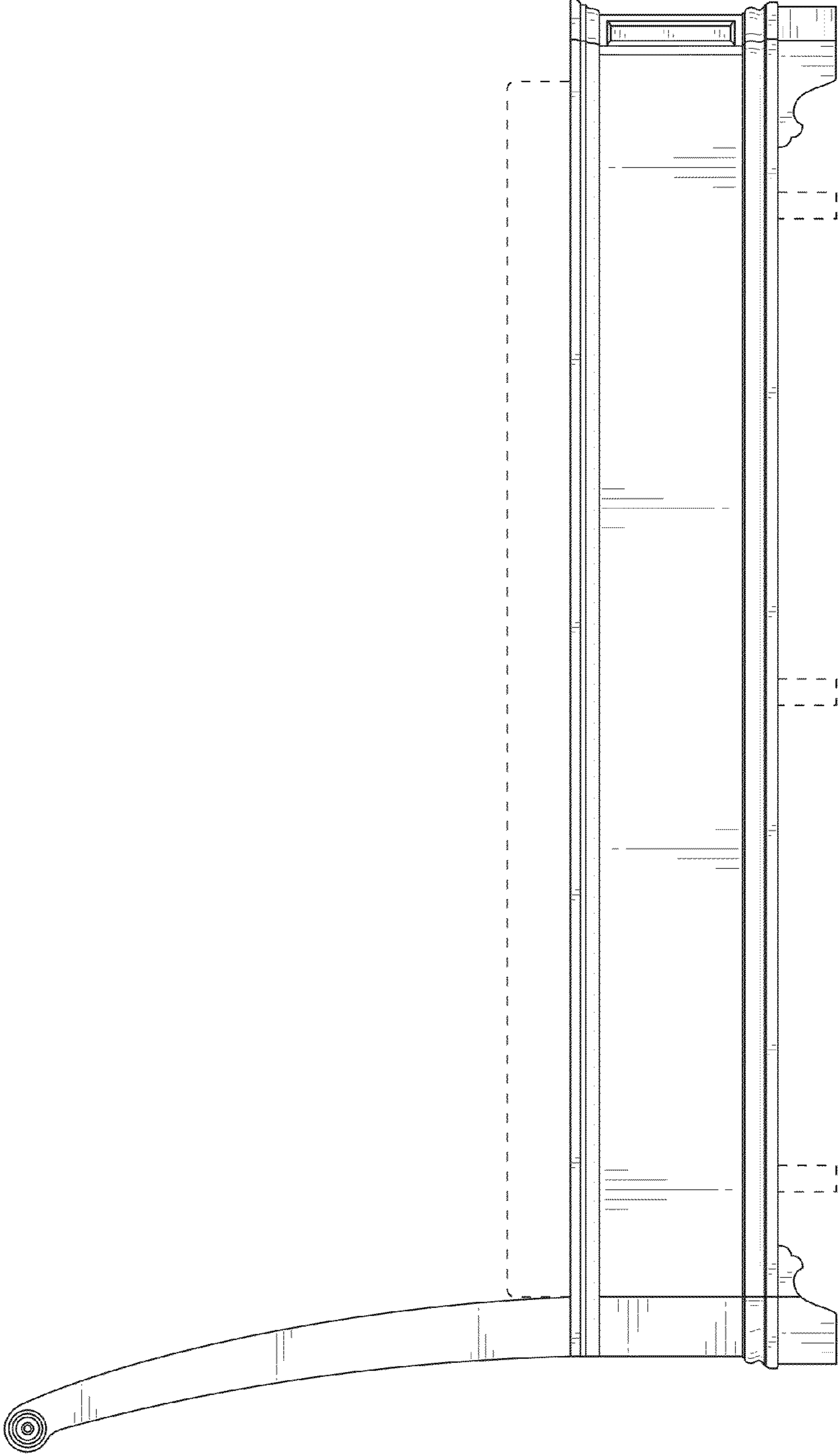
FIG. 2



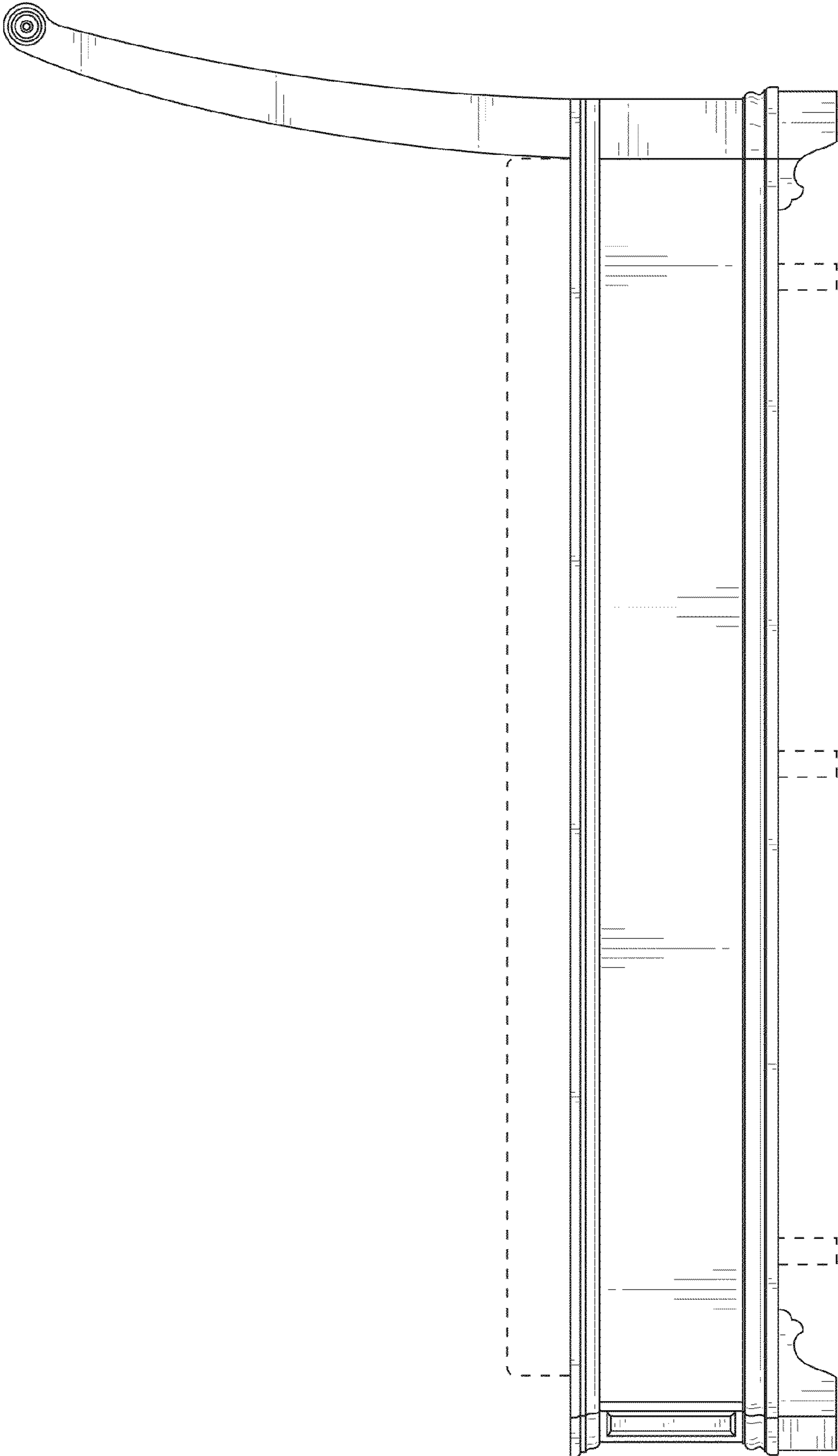
**FIG. 3**



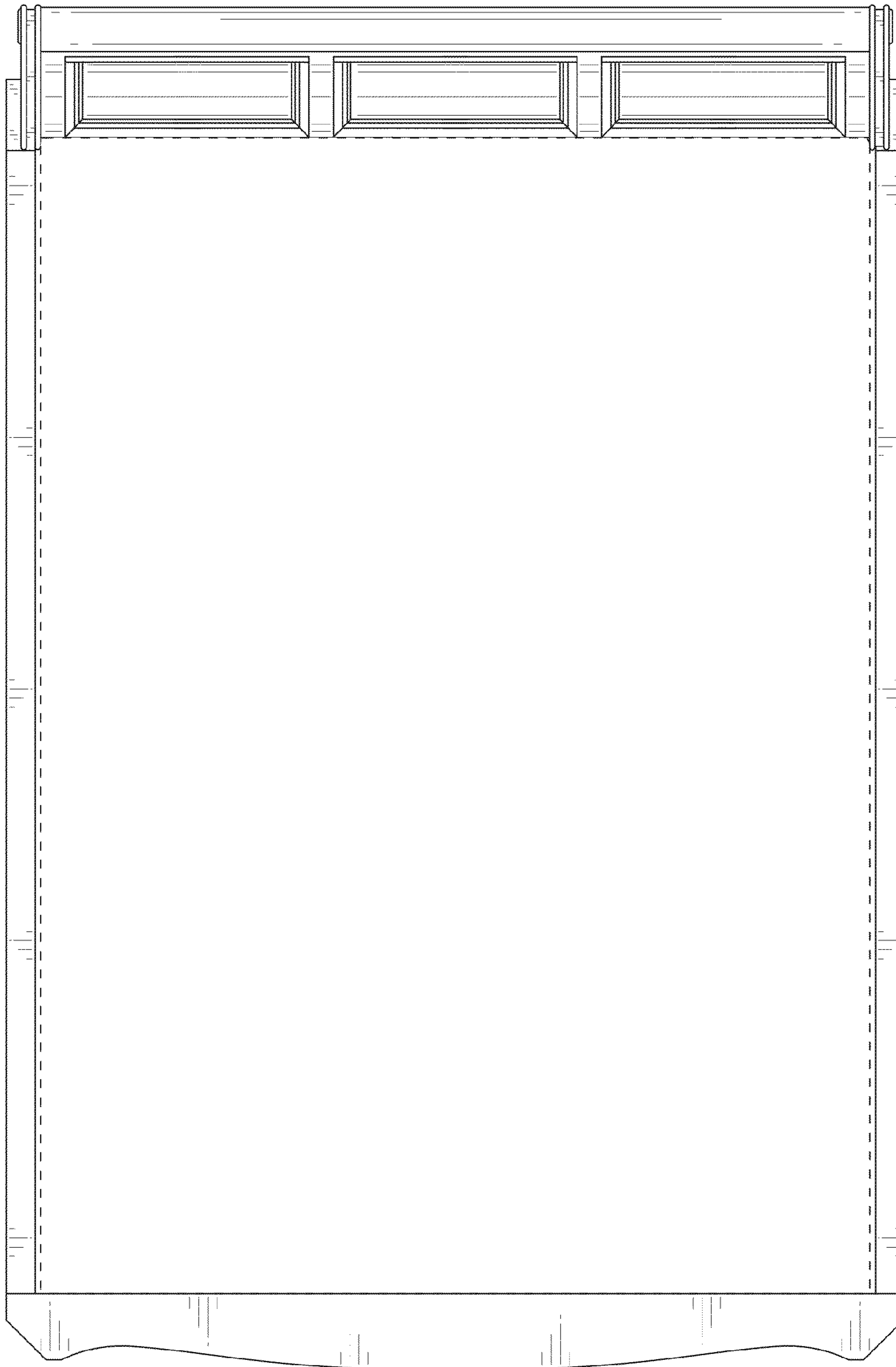
**FIG. 4**



**FIG. 5**



**FIG. 6**



**FIG. 7**