



US00D717062S

(12) **United States Design Patent**  
**Starck**

(10) **Patent No.:** **US D717,062 S**

(45) **Date of Patent:** **\*\* Nov. 11, 2014**

(54) **CHAIR**

(71) Applicant: **Philippe Starck**, Paris (FR)

(72) Inventor: **Philippe Starck**, Paris (FR)

(73) Assignee: **Philippe Starck**, Paris (FR)

(\*\*) Term: **14 Years**

(21) Appl. No.: **29/441,966**

(22) Filed: **Jan. 11, 2013**

(51) **LOC (10) Cl.** ..... **06-01**

(52) **U.S. Cl.**  
USPC ..... **D6/380**

(58) **Field of Classification Search**  
USPC ..... D6/334–336, 364, 365, 366, 371–373,  
D6/374, 375, 376, 379, 380, 716, 716.1,  
D6/716.2, 716.3, 716.4; 297/230.1, 230.2,  
297/239, 445.1, 446.1, 411.41, 411.45,  
297/450.1

See application file for complete search history.

(56) **References Cited**

**U.S. PATENT DOCUMENTS**

D183,416 S *	8/1958	Bellmann	.....	D6/375
D195,553 S *	7/1963	Isola	.....	D6/364
D584,901 S *	1/2009	Massaud	.....	D6/366
D585,656 S *	2/2009	Massaud	.....	D6/366
D645,672 S *	9/2011	Lievore et al.	.....	D6/366
D683,570 S *	6/2013	Kubryk	.....	D6/716
D688,484 S *	8/2013	Starck	.....	D6/375

\* cited by examiner

*Primary Examiner* — Mimosa De

(74) *Attorney, Agent, or Firm* — Blue Filament Law PLLC;  
Avery N. Goldstein

(57) **CLAIM**

The ornamental design for a chair, as shown and described.

**DESCRIPTION**

FIG. 1 is an elevated front perspective view of a chair, showing a first embodiment;

FIG. 2 is a front view of the chair depicted in FIG. 1;

FIG. 3 is a side view of the chair depicted in FIG. 1, where an opposing side view is a mirror image of that depicted in FIG. 3;

FIG. 4 is a back view of the chair depicted in FIG. 1;

FIG. 5 is a top view of the chair depicted in FIG. 1;

FIG. 6 is a bottom view of the chair depicted in FIG. 1;

FIG. 7 is an elevated front perspective view of the chair absent arms, showing a second embodiment;

FIG. 8 is a front view of the chair depicted in FIG. 7;

FIG. 9 is a side view of the chair depicted in FIG. 7, where an opposing side view is a mirror image of that depicted in FIG. 9;

FIG. 10 is a back view of the chair depicted in FIG. 7;

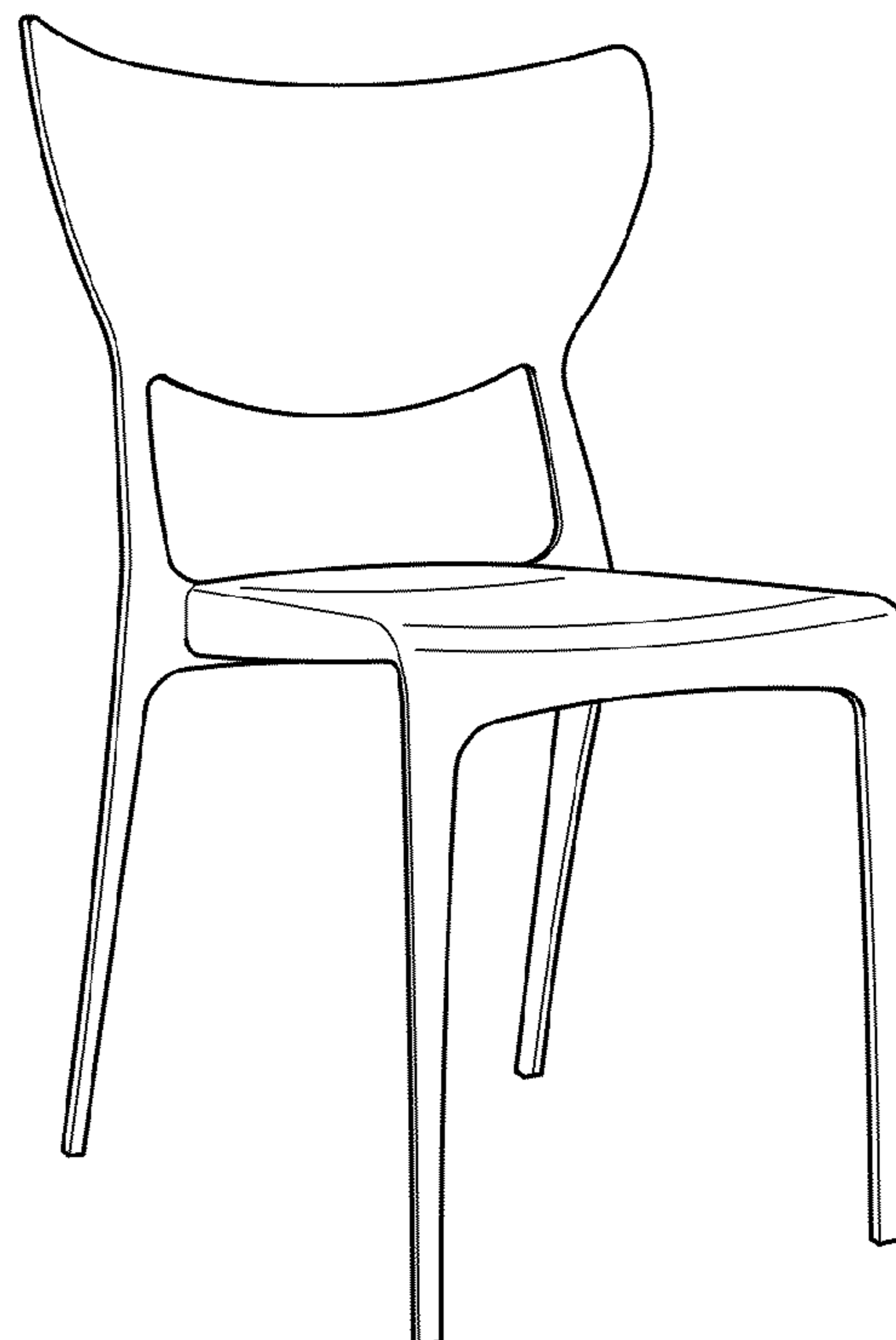
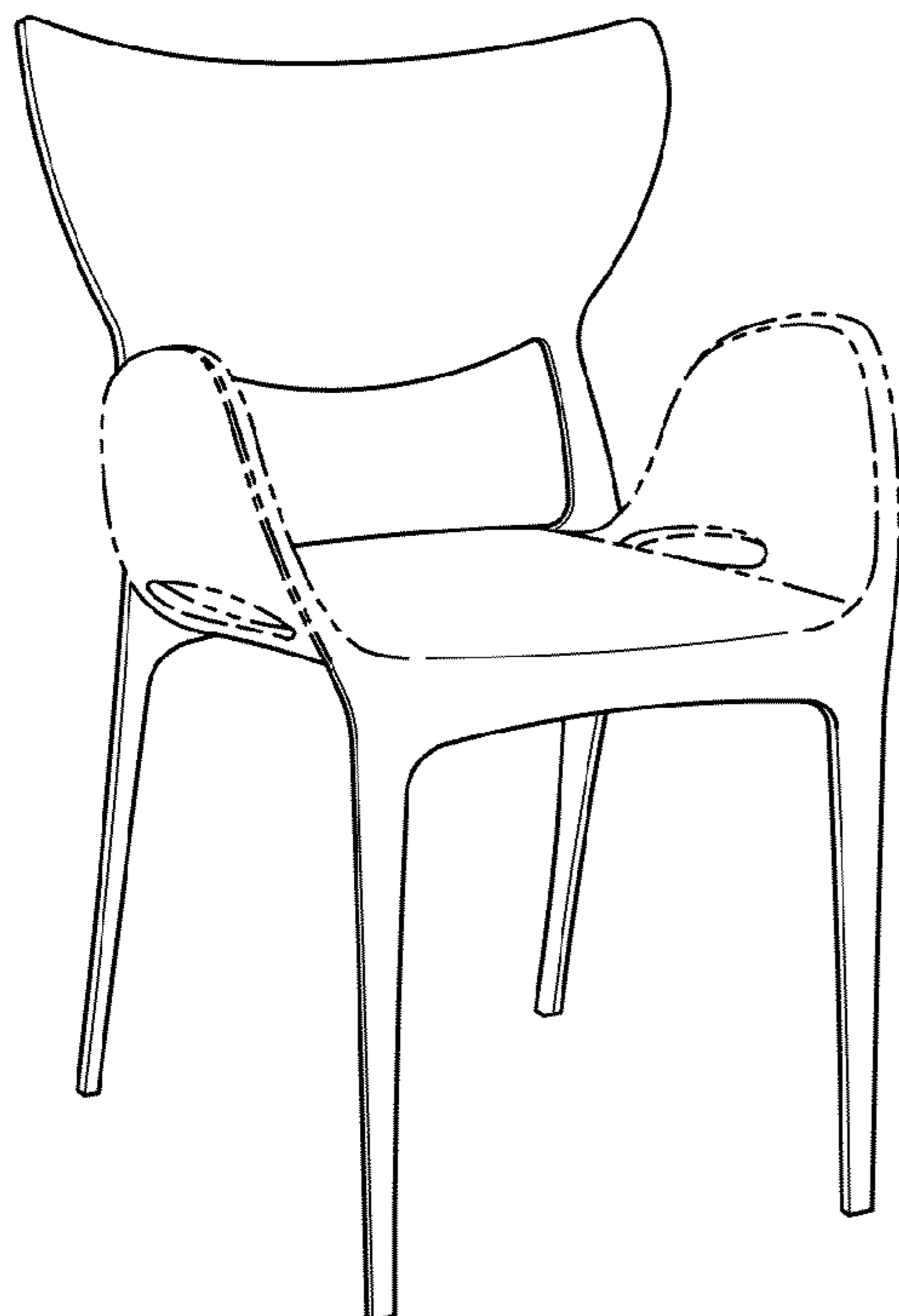
FIG. 11 is a top view of the chair depicted in FIG. 7;

FIG. 12 is a bottom view of the chair depicted in FIG. 7;

FIG. 13 is a rear perspective view of the chair depicted in FIG. 1; and,

FIG. 14 is an elevated rear perspective view of the chair depicted in FIG. 7.

**1 Claim, 4 Drawing Sheets**



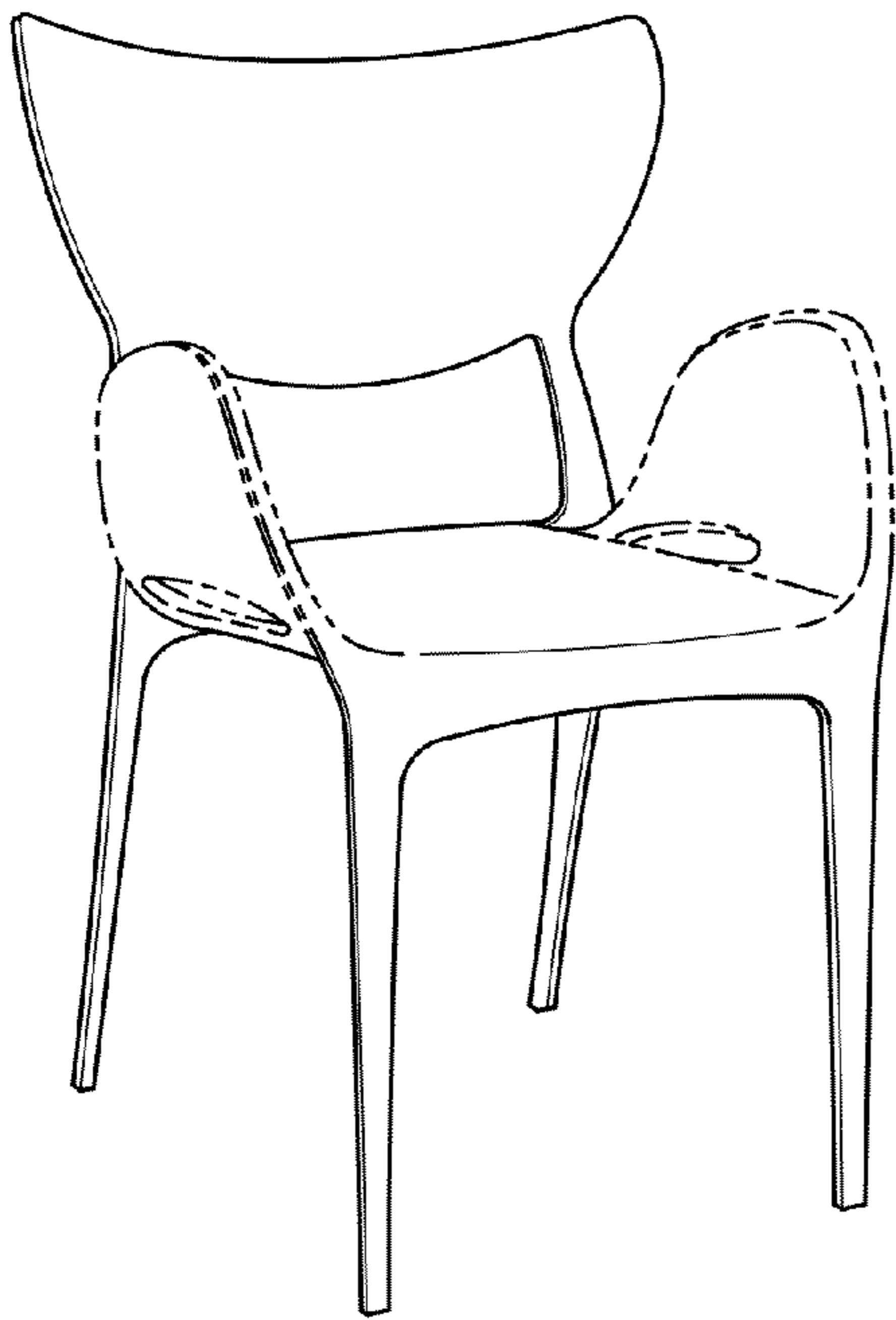


FIG. 1

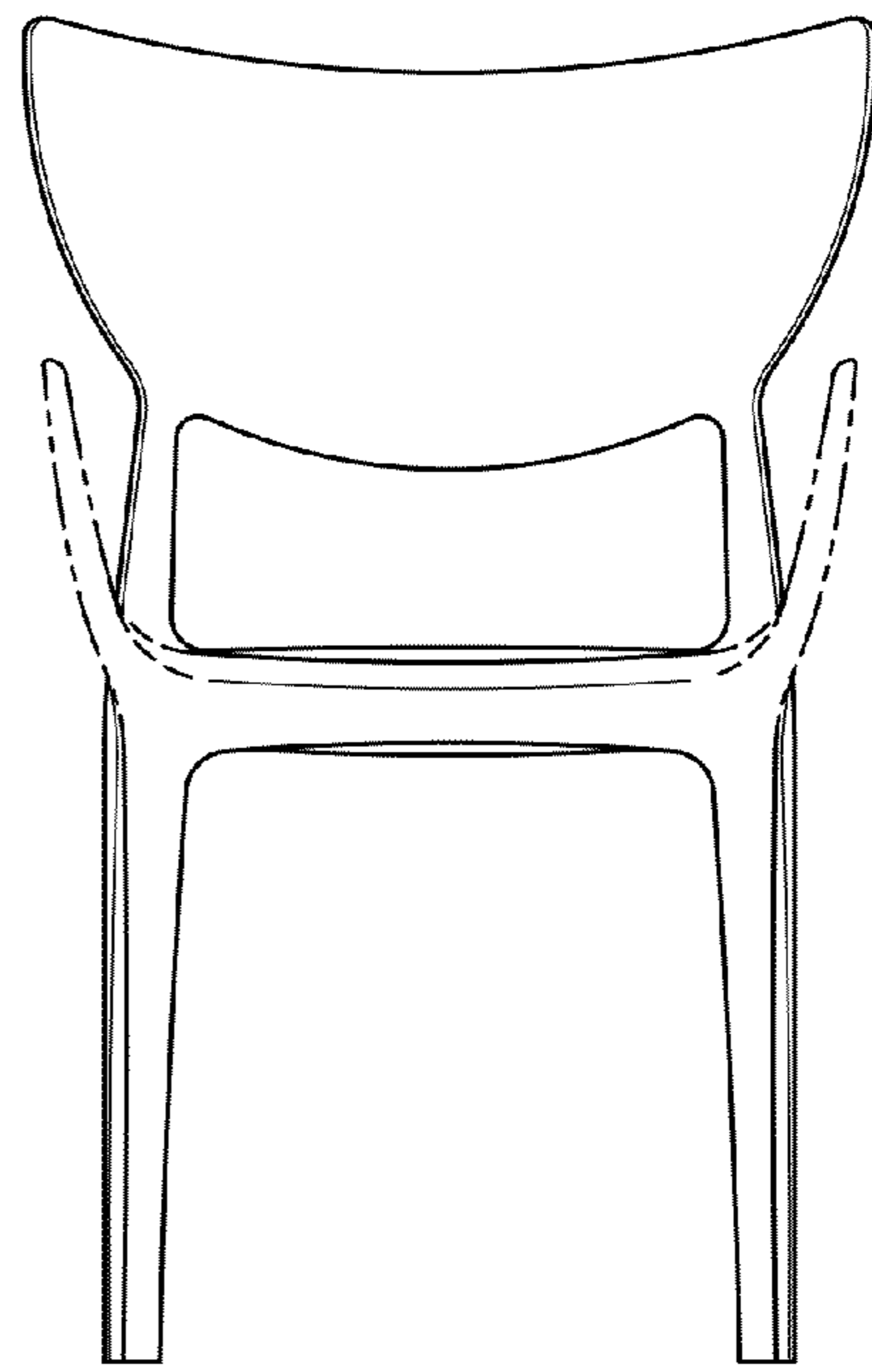


FIG. 2

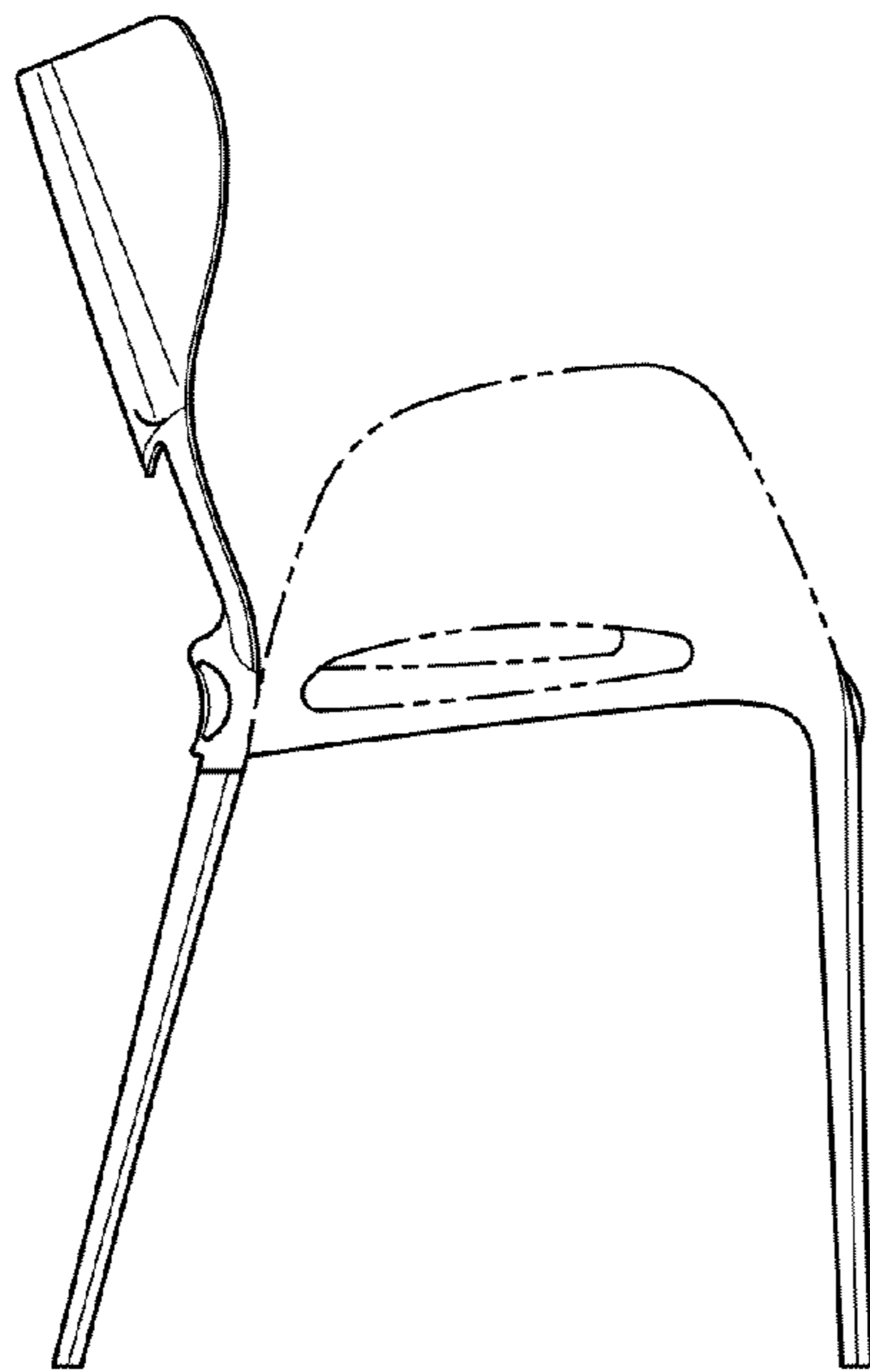


FIG. 3

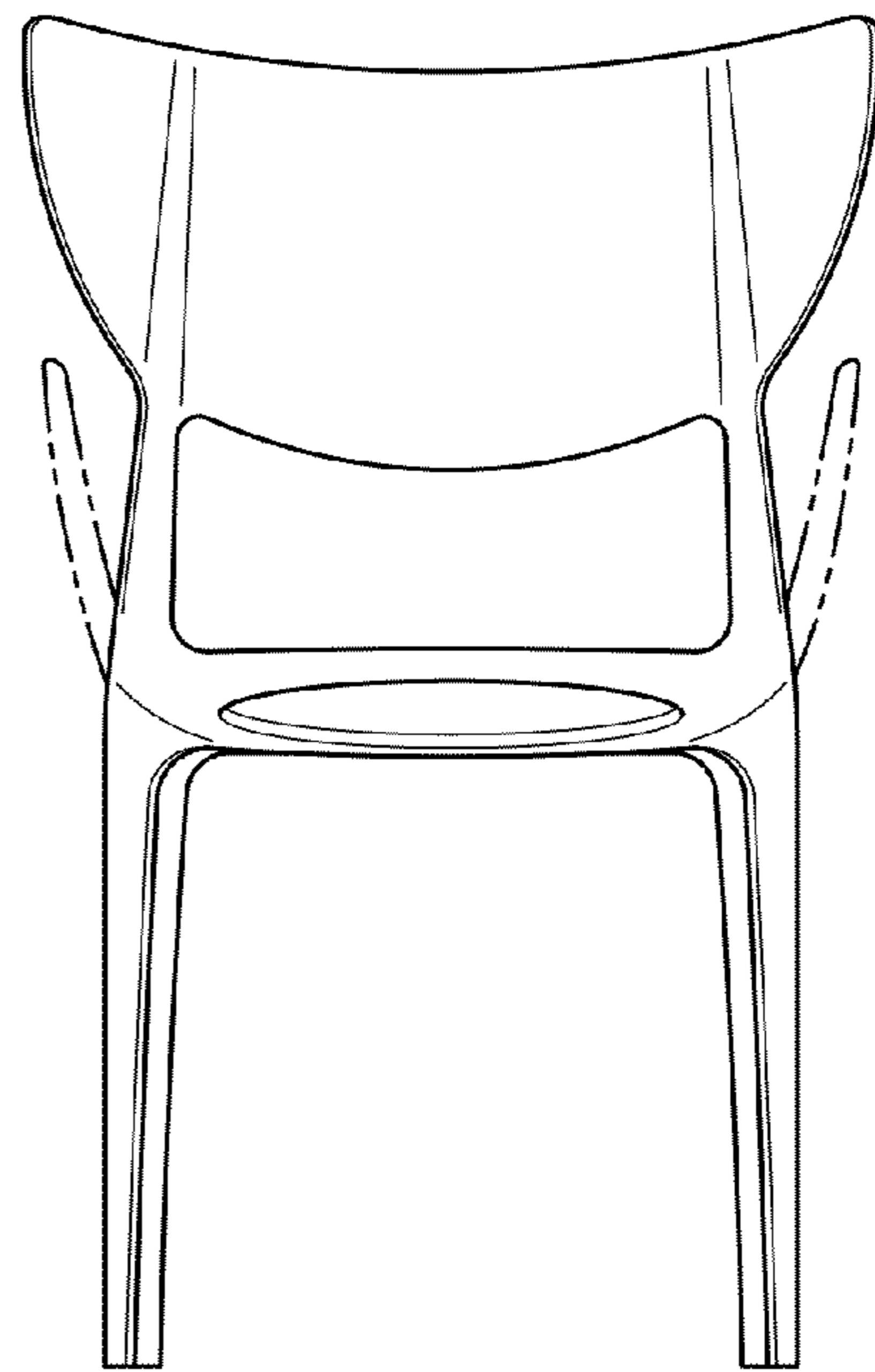


FIG. 4

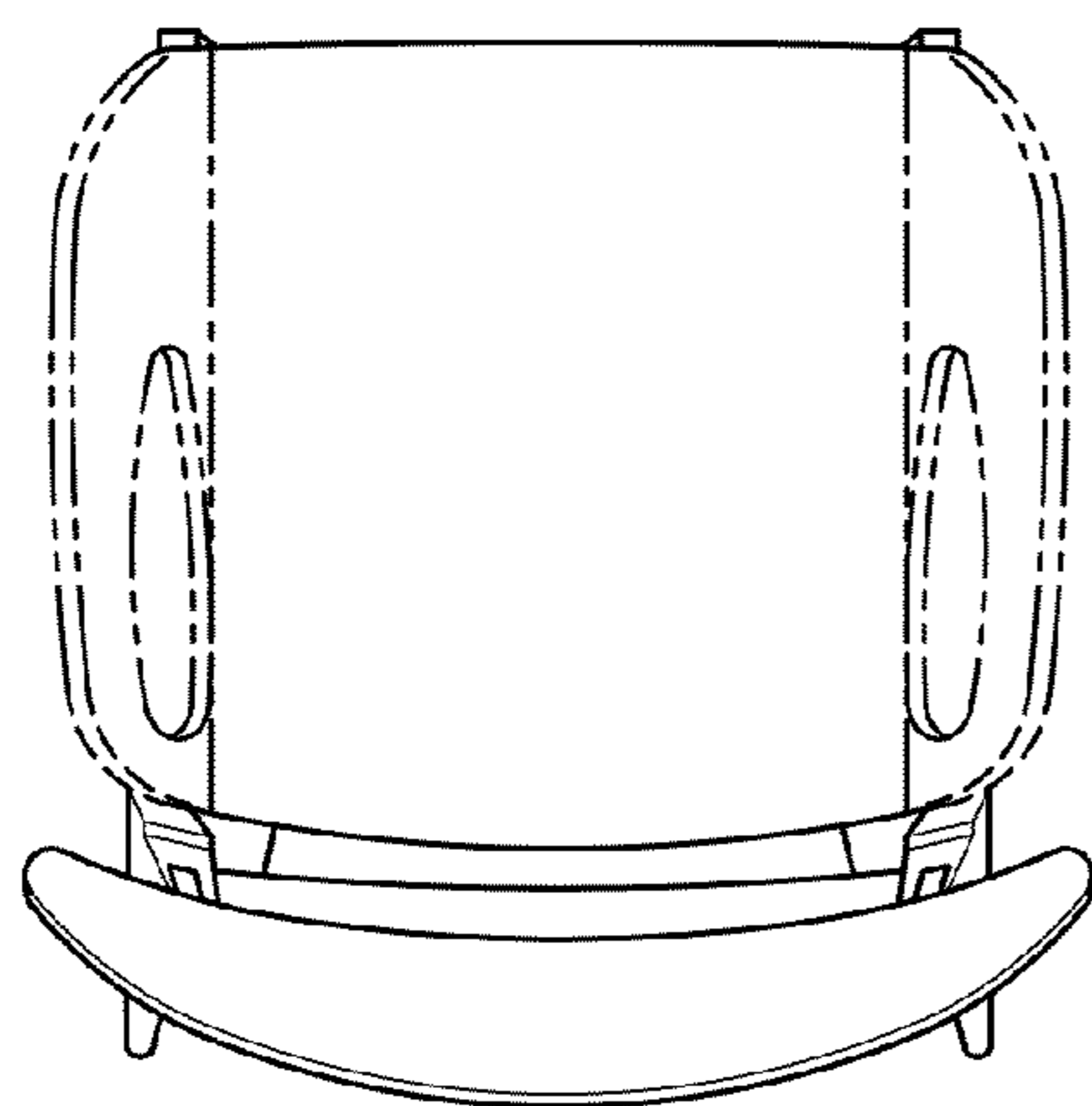


FIG. 5

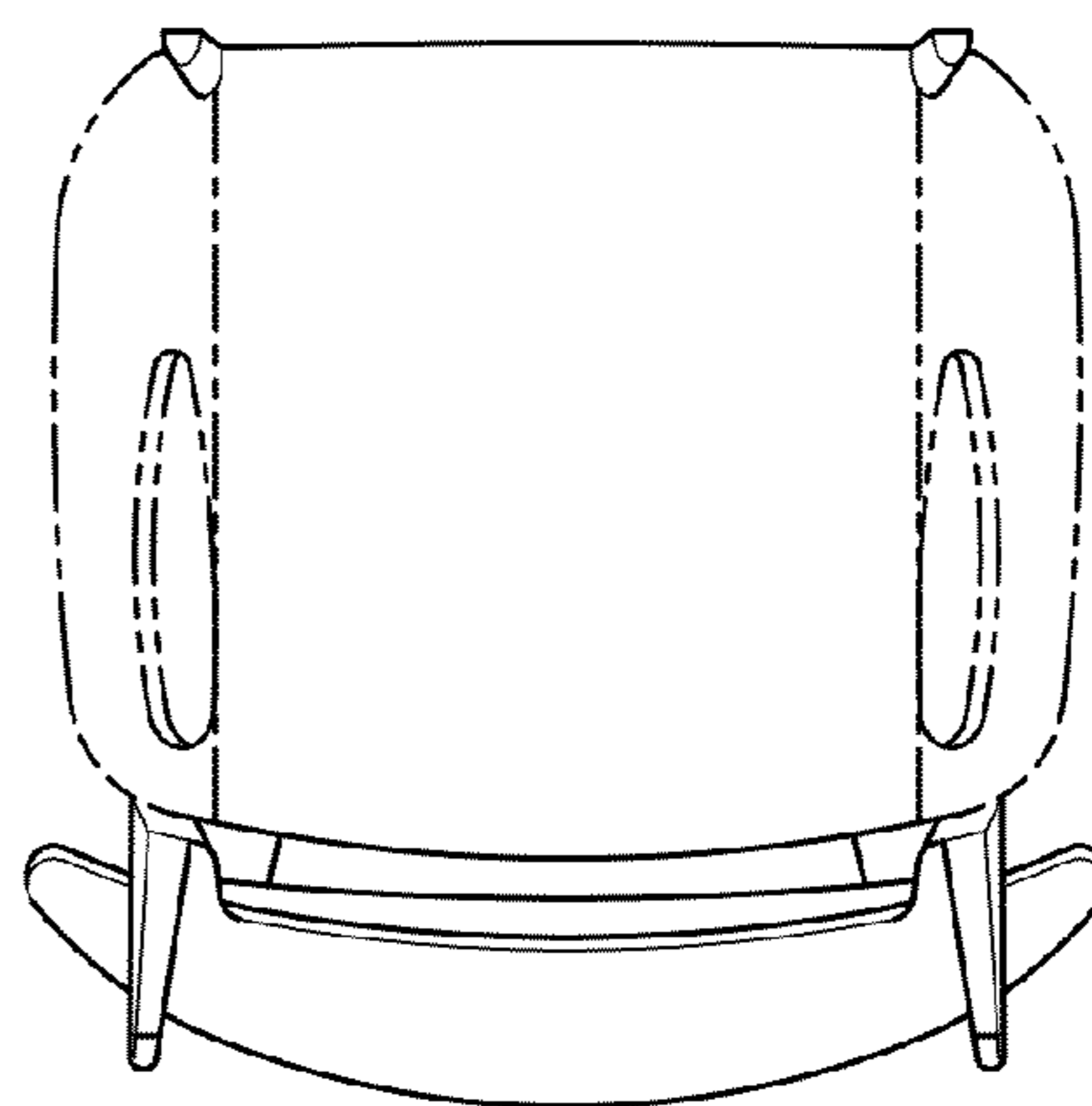


FIG. 6

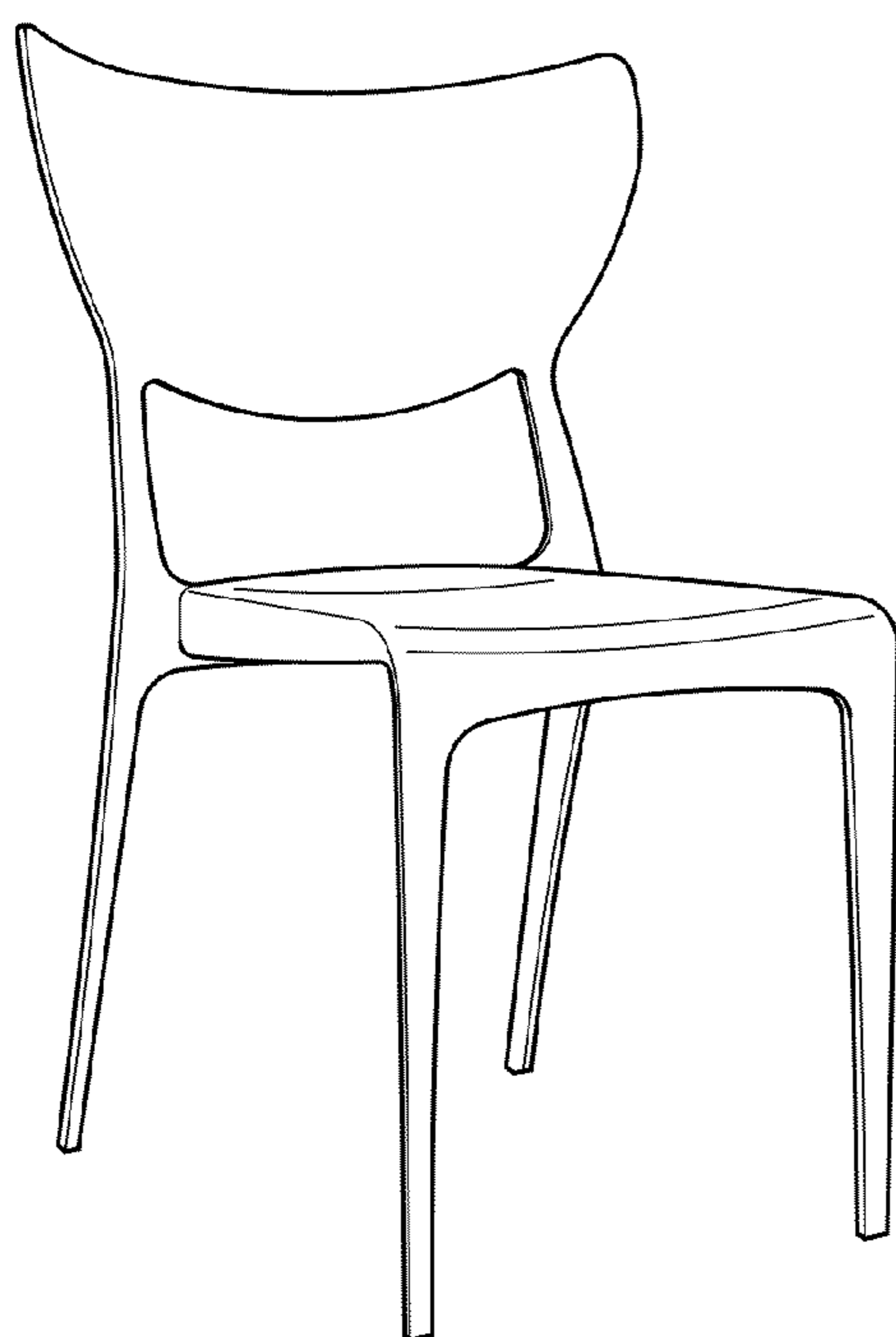


FIG. 7

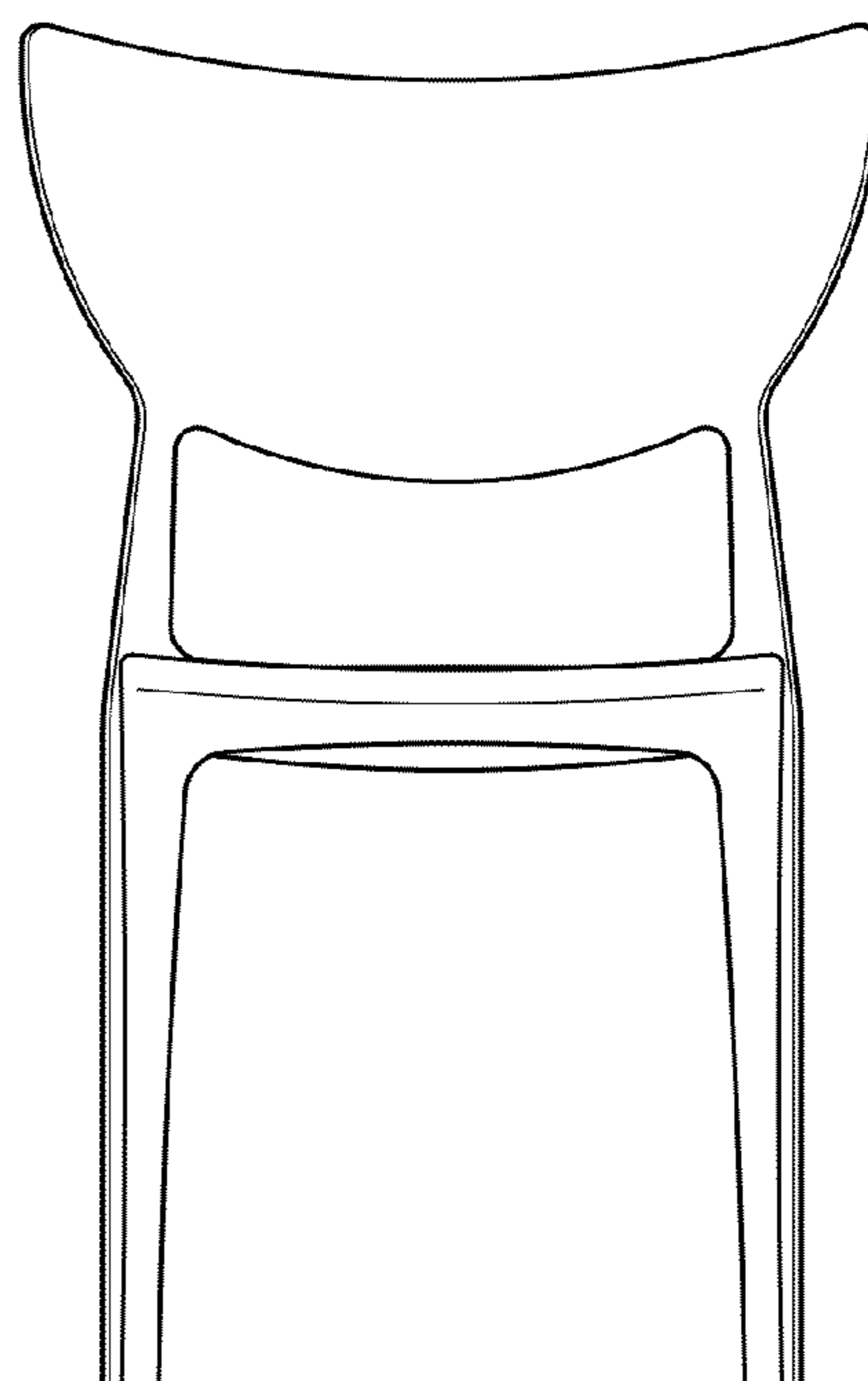


FIG. 8

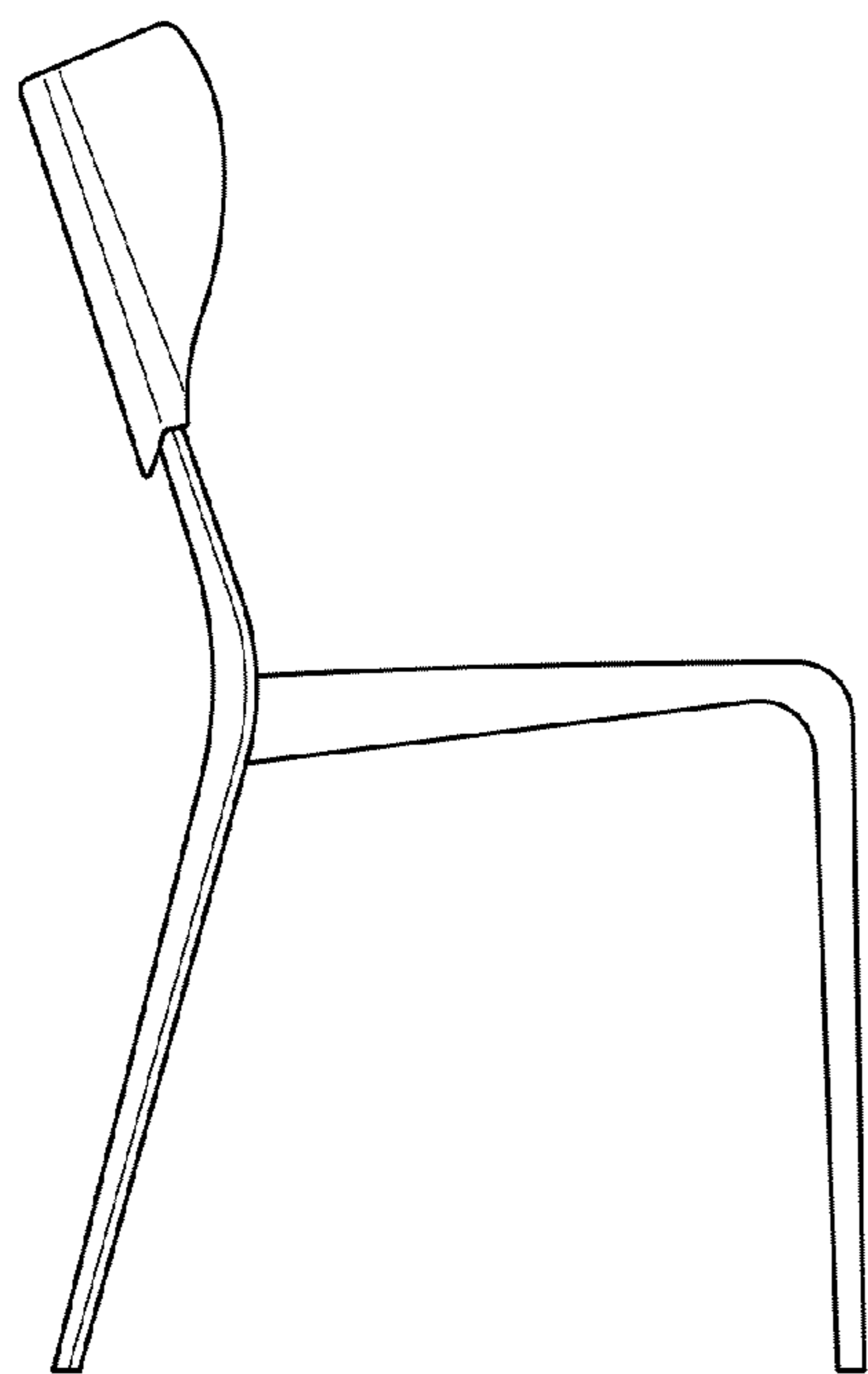


FIG. 9

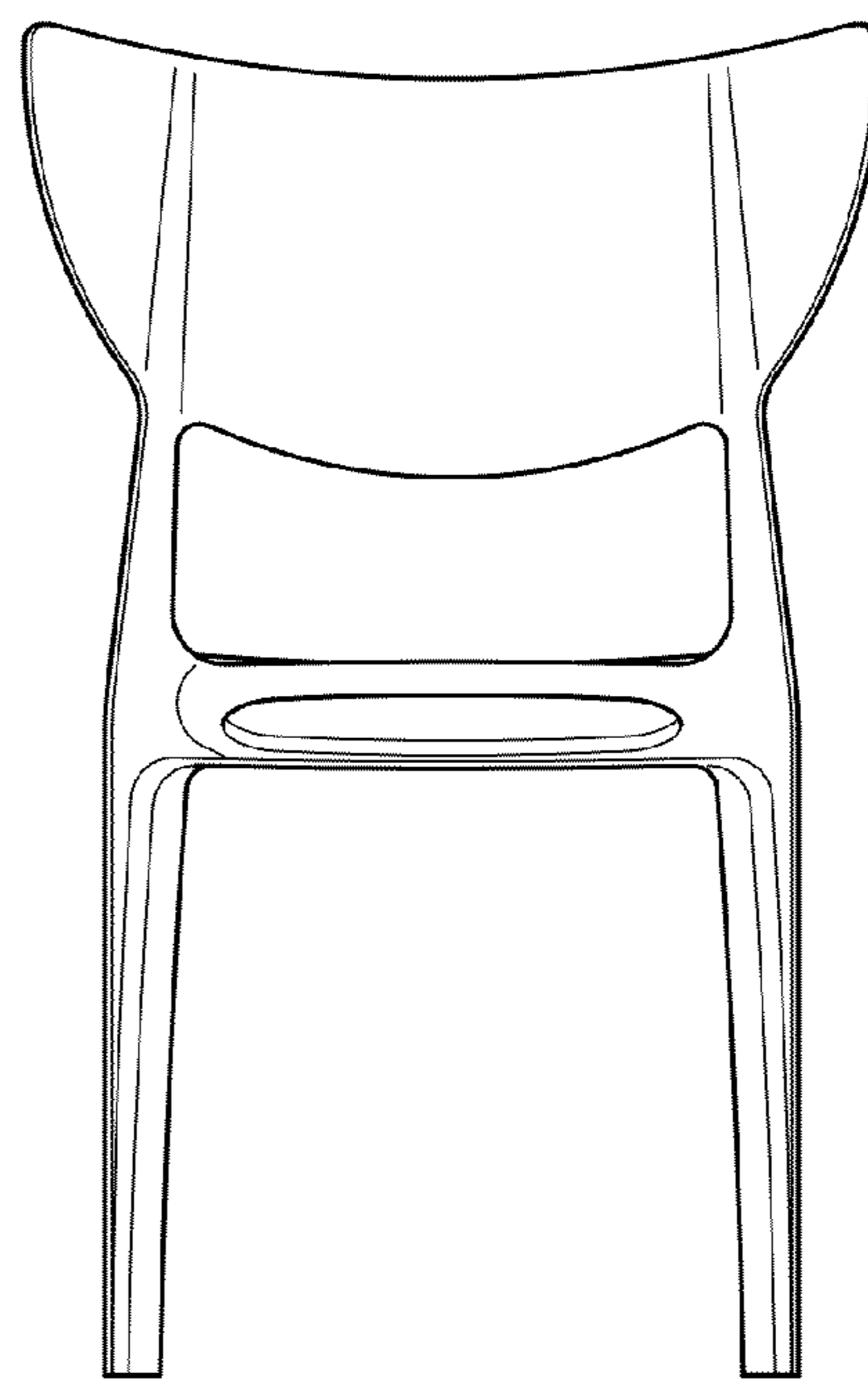


FIG. 10

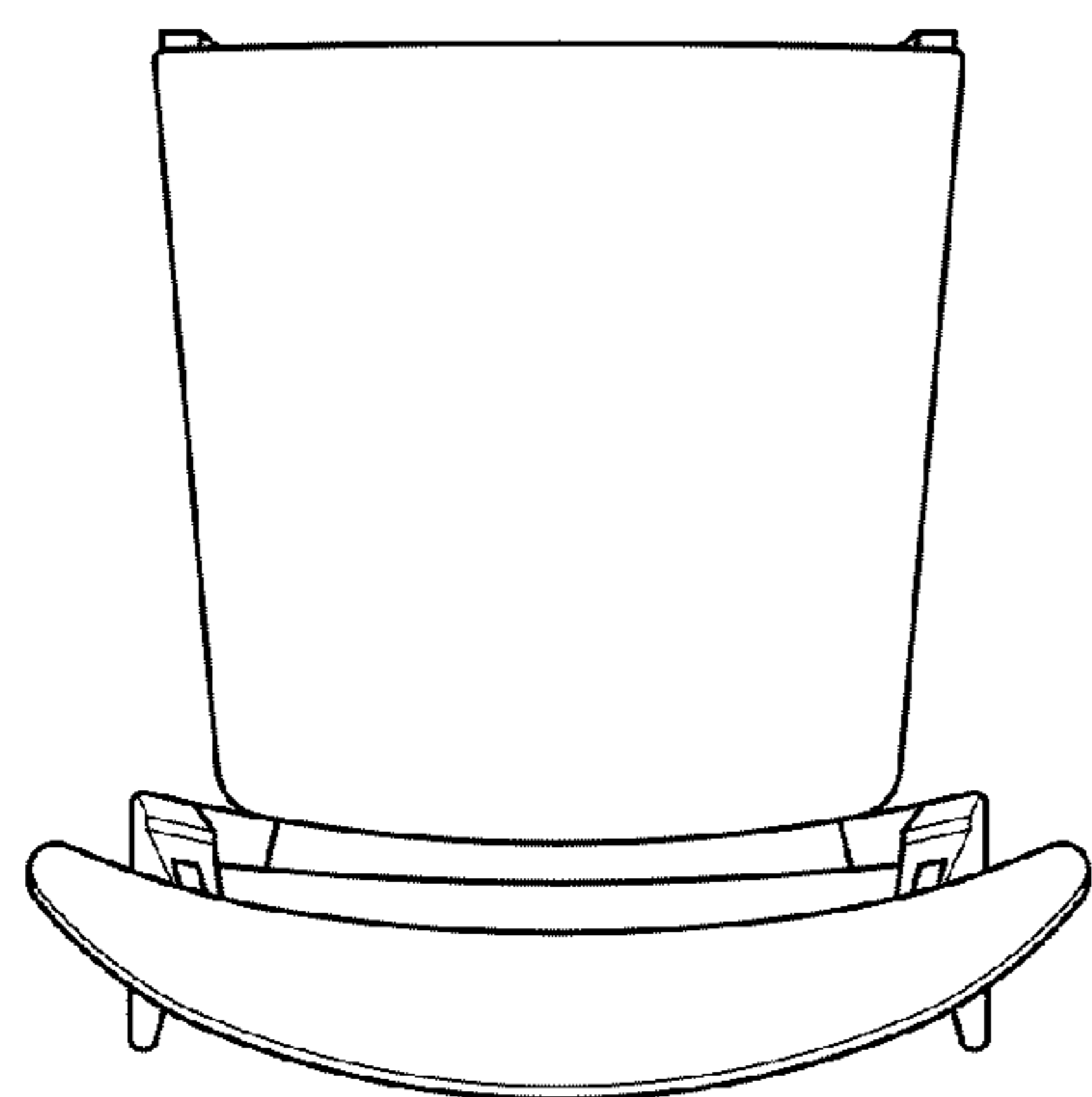


FIG. 11

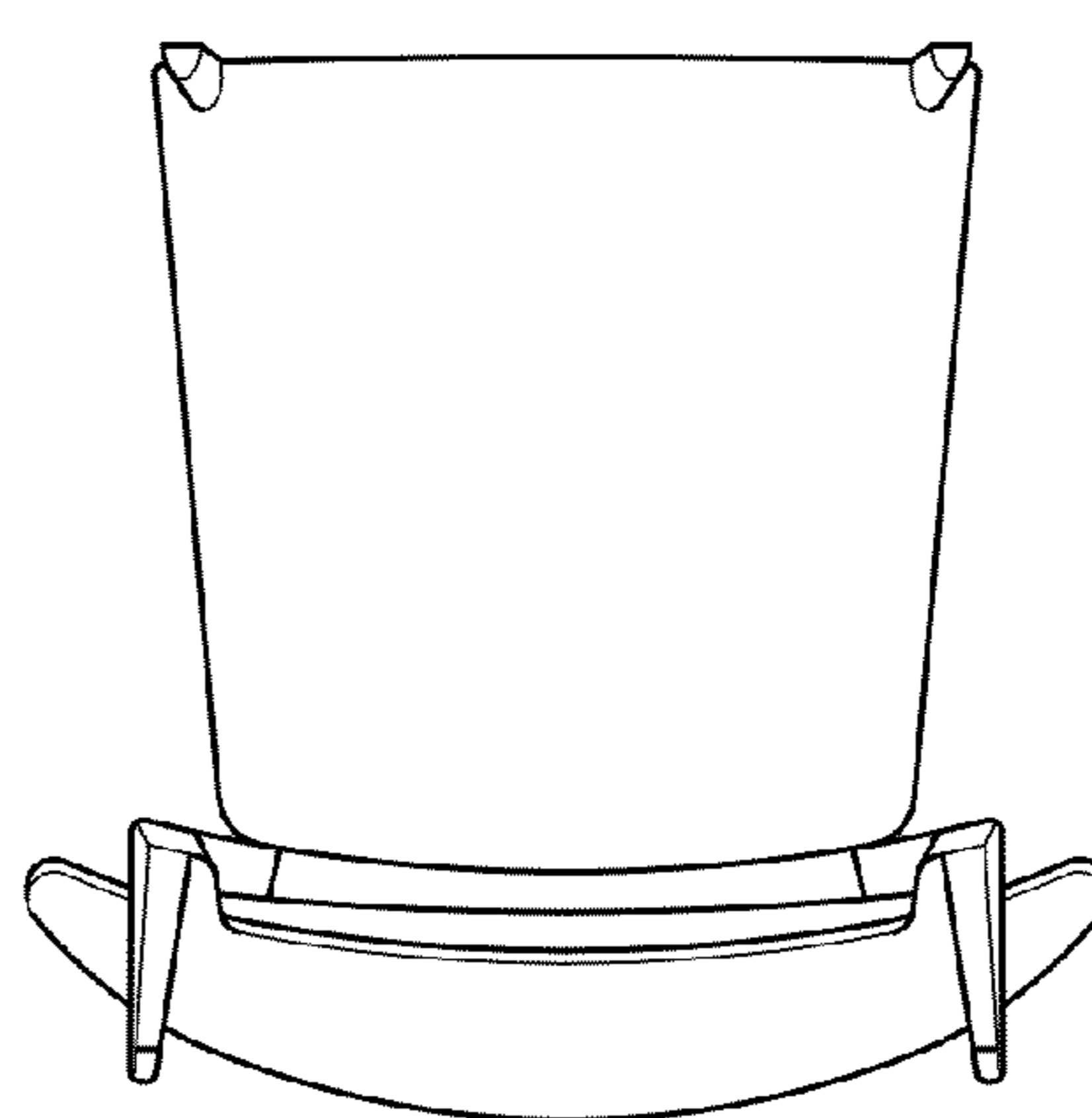
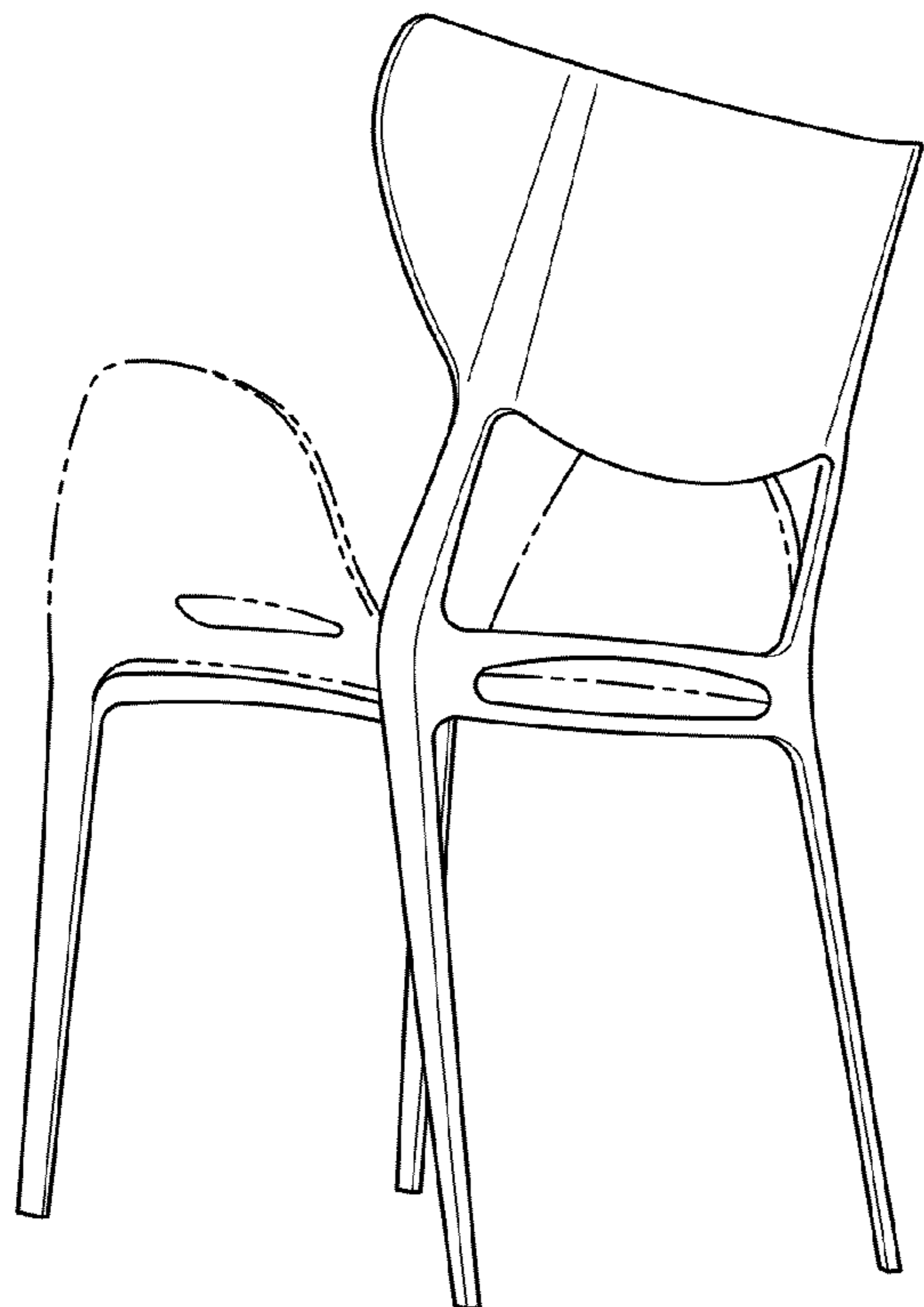
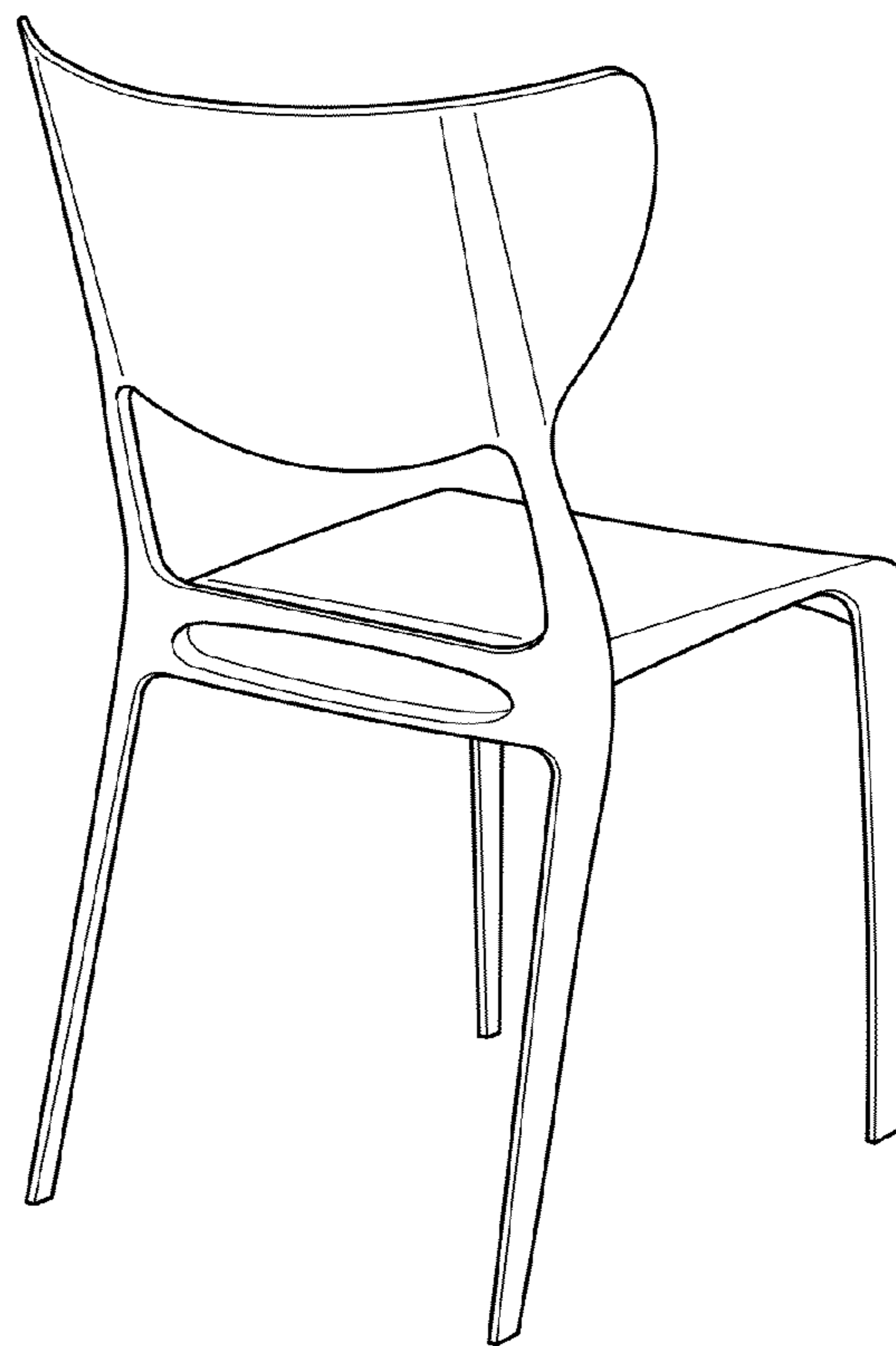


FIG. 12



**FIG. 13**



**FIG. 14**