



US00D717058S

(12) **United States Design Patent**
Prokofiev et al.

(10) **Patent No.:** **US D717,058 S**

(45) **Date of Patent:** **** Nov. 11, 2014**

(54) **CHAIR**

(71) Applicants: **Vadim Prokofiev**, Kfar Saba (IL); **Nisim Eliyahu**, Holon (IL)

(72) Inventors: **Vadim Prokofiev**, Kfar Saba (IL); **Nisim Eliyahu**, Holon (IL)

(73) Assignee: **Keter Plastic Ltd.**, Herzelia (IL)

(**) Term: **14 Years**

(21) Appl. No.: **29/481,807**

(22) Filed: **Feb. 11, 2014**

(51) **LOC (10) Cl.** **06-01**

(52) **U.S. Cl.**
USPC **D6/370**

(58) **Field of Classification Search**
CPC A47C 3/04; A47C 4/02; A47C 4/03;
A47C 5/06; A47C 5/12; A47C 7/16; A47C
7/22
USPC D6/334–336, 368, 370, 374, 379, 380,
D6/716, 716.1, 716.2, 716.3, 716.4;
297/239, 445.1, 446.1, 411.42, 411.43,
297/452.14, 452.63

See application file for complete search history.

(56) **References Cited**

U.S. PATENT DOCUMENTS

D334,299 S * 3/1993 Embree D6/379
D384,511 S * 10/1997 Gresens D6/370
D413,452 S * 9/1999 Rhienen D6/370

D509,970 S * 9/2005 Adams D6/368
7,401,854 B2 * 7/2008 Adams A47C 3/04
D607,223 S * 1/2010 Adams et al. D6/370
D660,040 S * 5/2012 Bogdan et al. D6/370
8,333,430 B2 * 12/2012 Adams et al. A47C 3/04
D677,069 S * 3/2013 Adams, IV D6/370

* cited by examiner

Primary Examiner — Mimoso De

(74) *Attorney, Agent, or Firm* — Eitan, Mehulal & Sadot

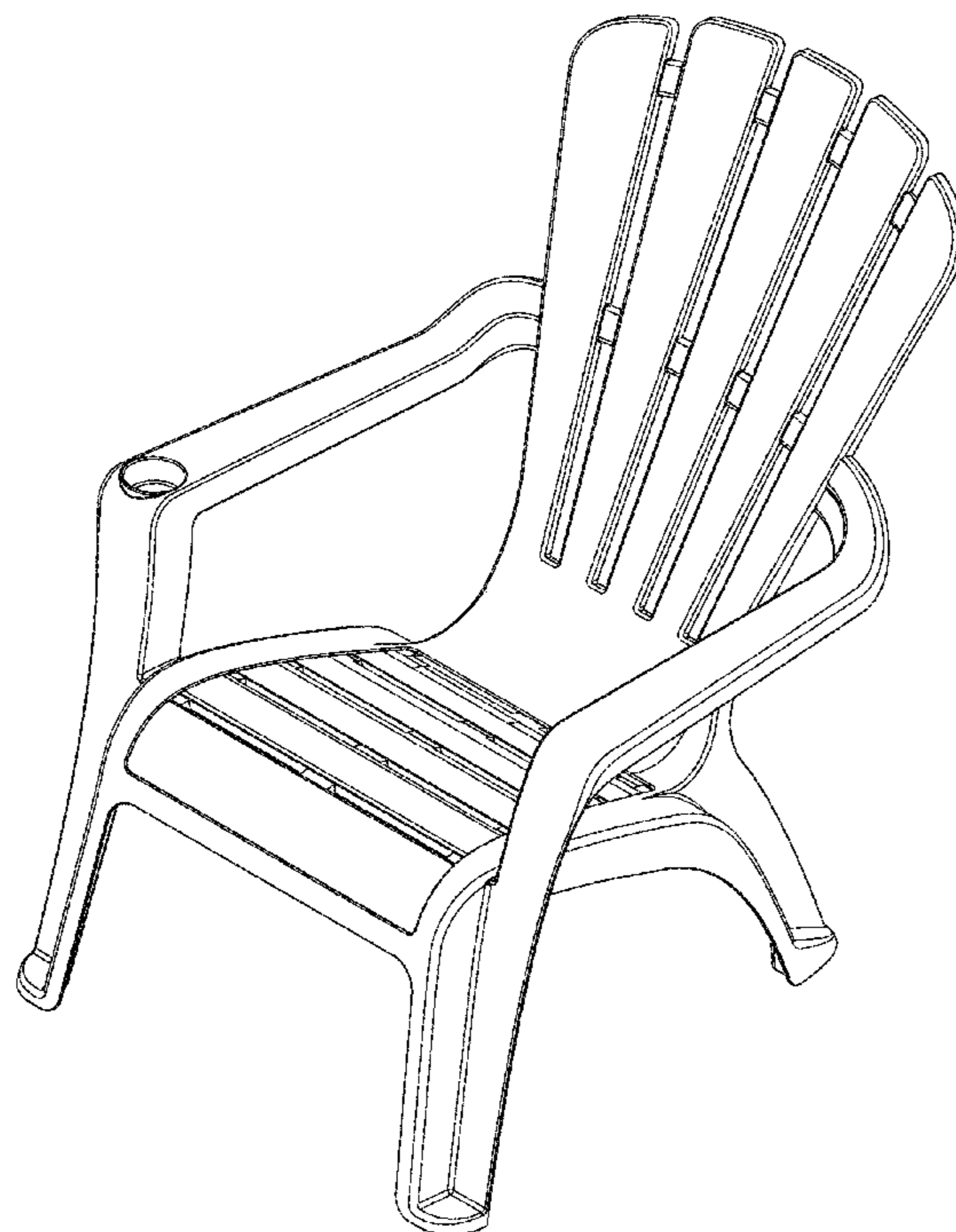
(57) **CLAIM**

The ornamental design for a chair, as shown and described.

DESCRIPTION

FIG. 1 is a first perspective view of the chair;
FIG. 2 is a second perspective view of the chair;
FIG. 3 is a right side view of the chair;
FIG. 4 is a left side view of the chair;
FIG. 5 is a front side view of the chair;
FIG. 6 is a back side view of the chair;
FIG. 7 is a top side view of the chair;
FIG. 8 is a bottom side view of the chair;
FIG. 9 is a first perspective view showing an enlarged portion of the chair having a cup-holder integrated in an armrest of the chair;
FIG. 10 is a second perspective view showing an enlarged portion of the chair having the integrated cup-holder;
FIG. 11 is a third perspective view showing an enlarged portion of the chair having the integrated cup-holder; and,
FIG. 12 is a side view showing an enlarged portion of the chair having the integrated cup-holder.

1 Claim, 12 Drawing Sheets



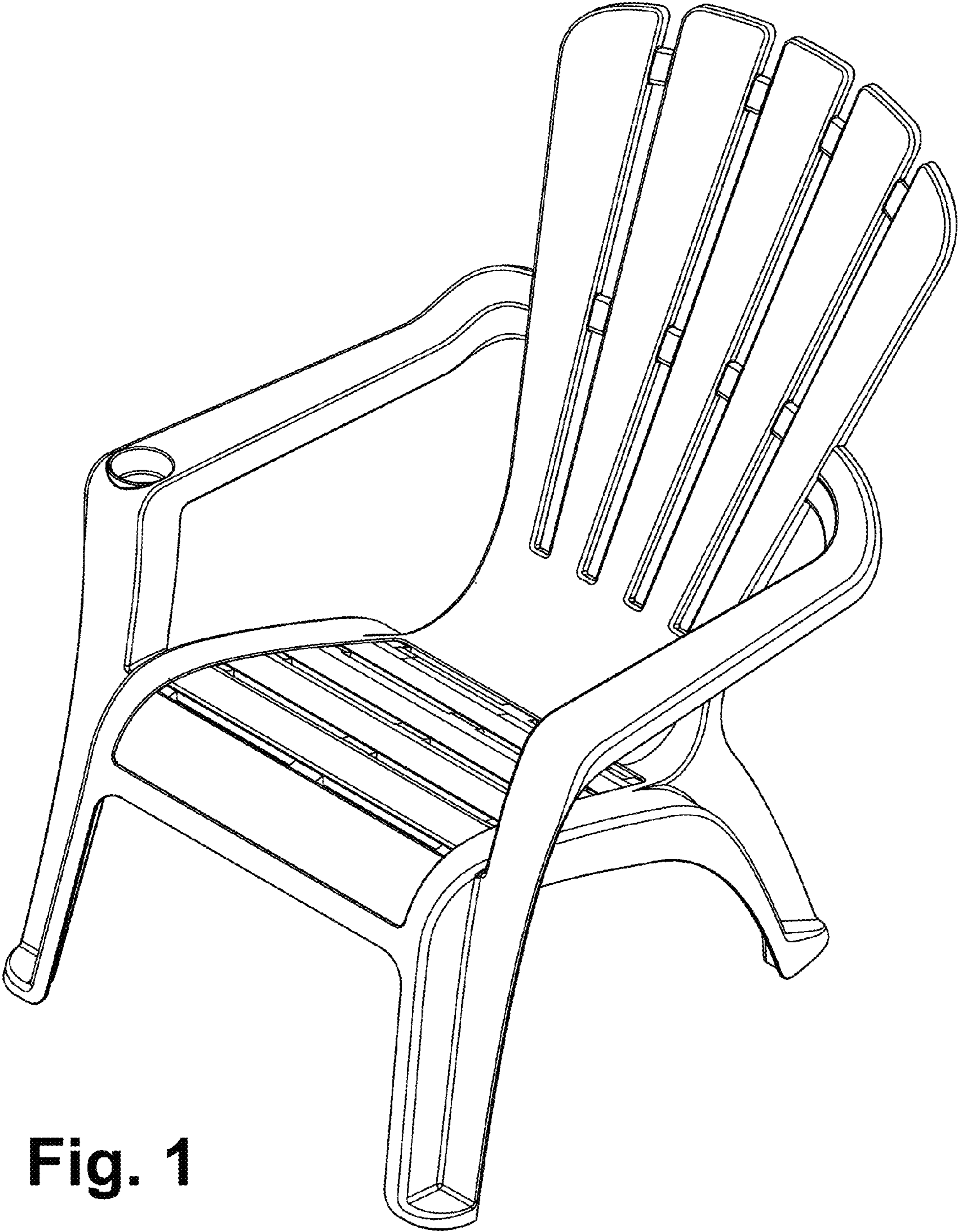


Fig. 1

Fig. 2

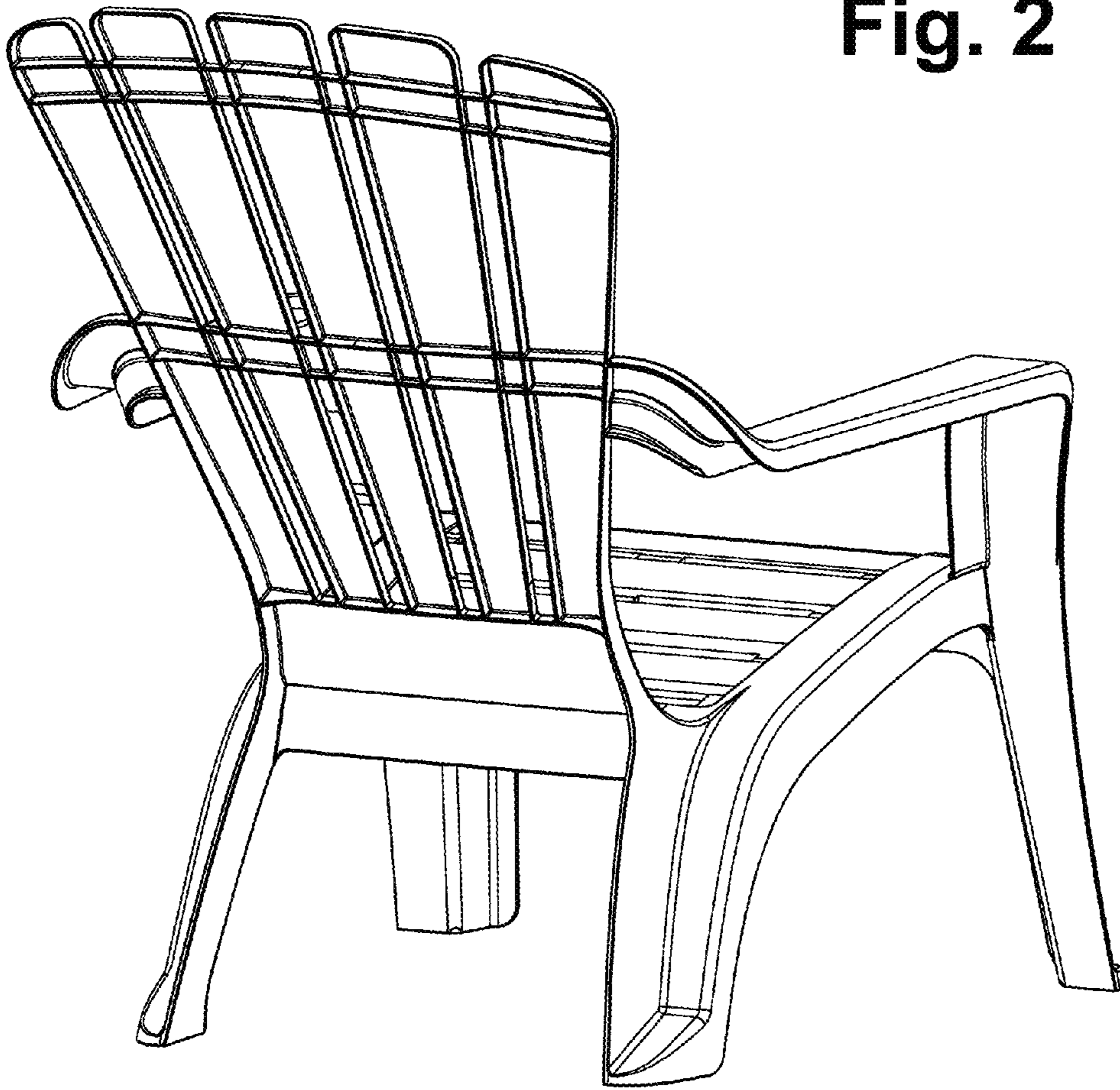


Fig. 3

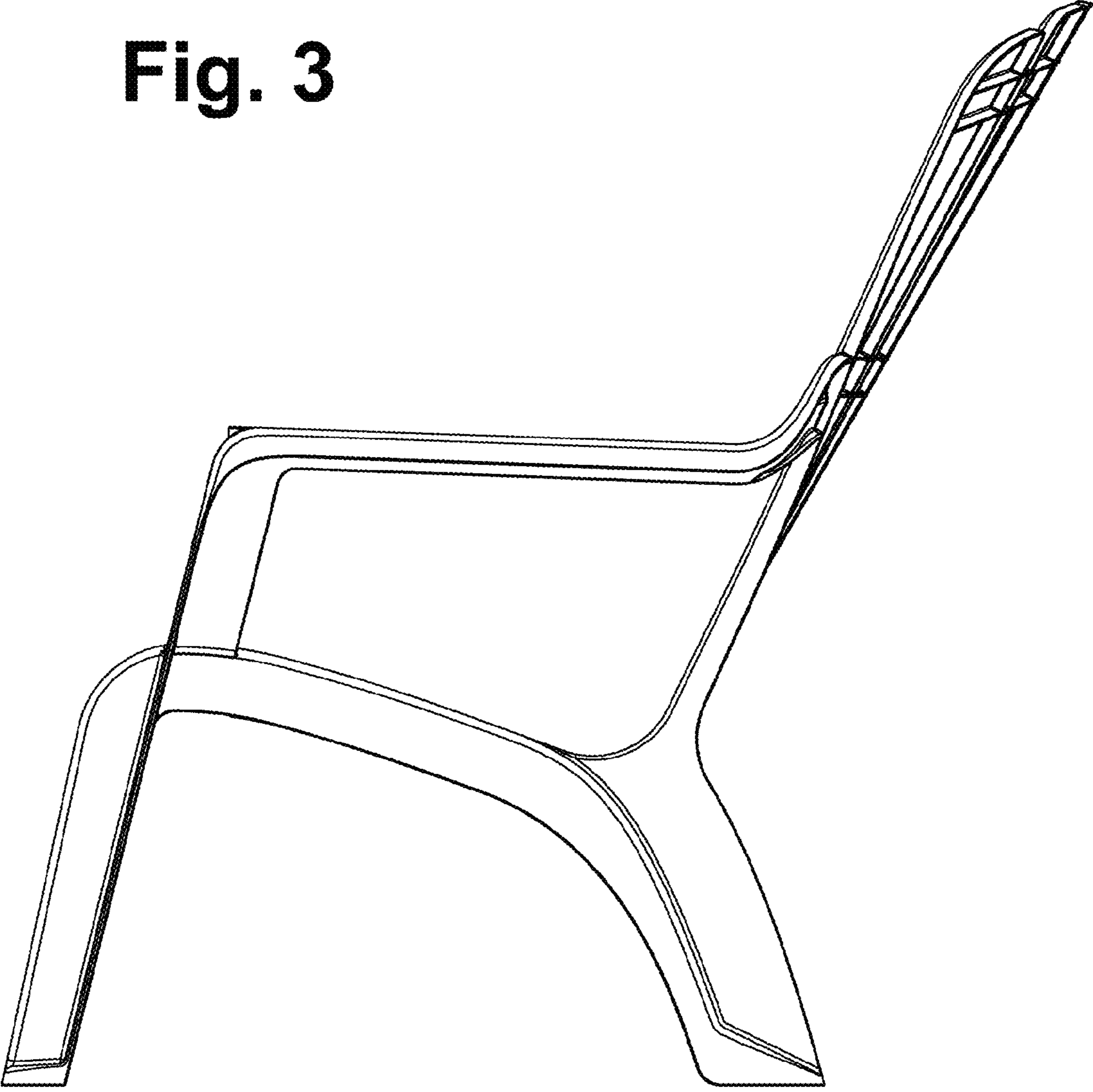
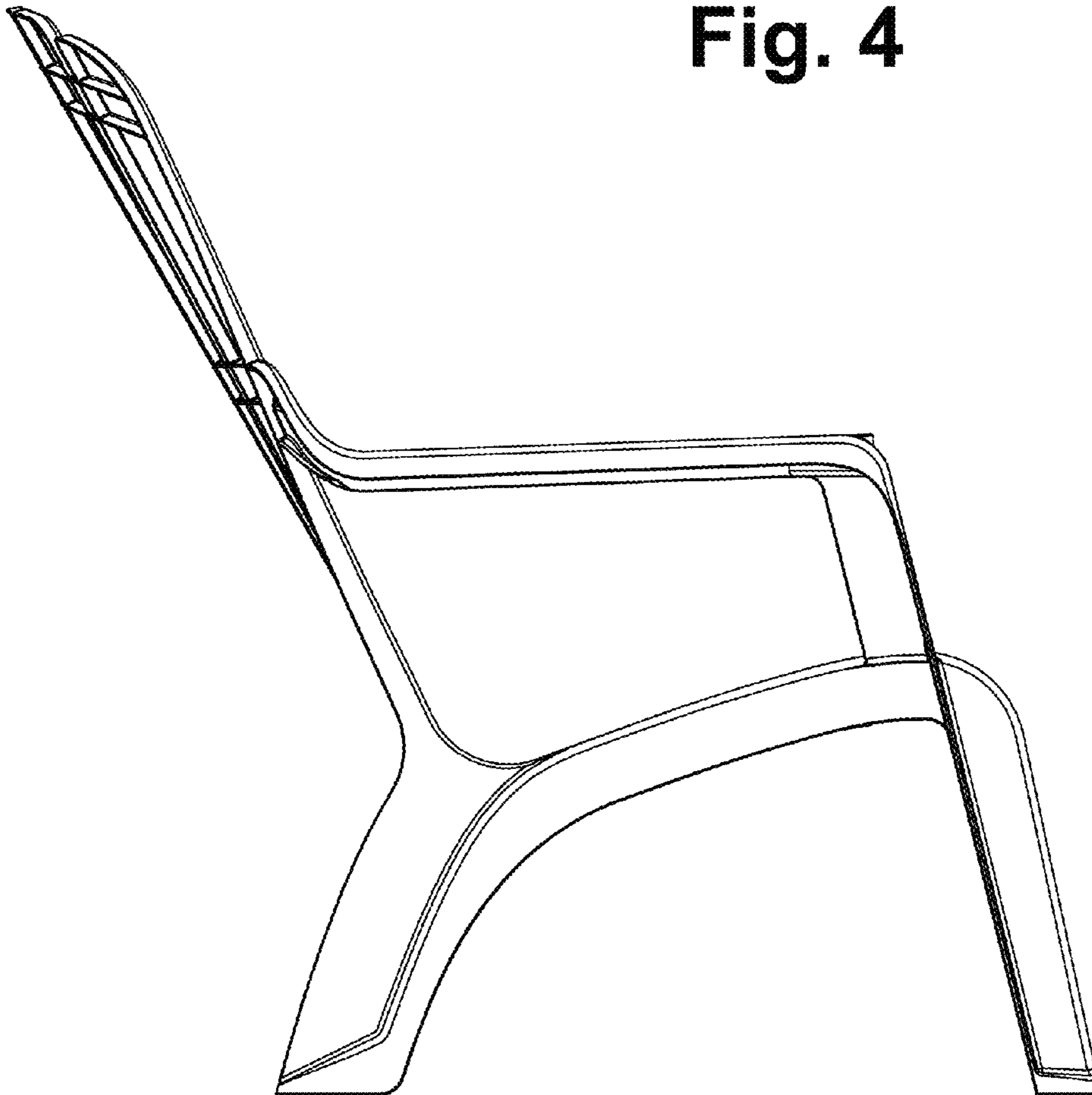


Fig. 4



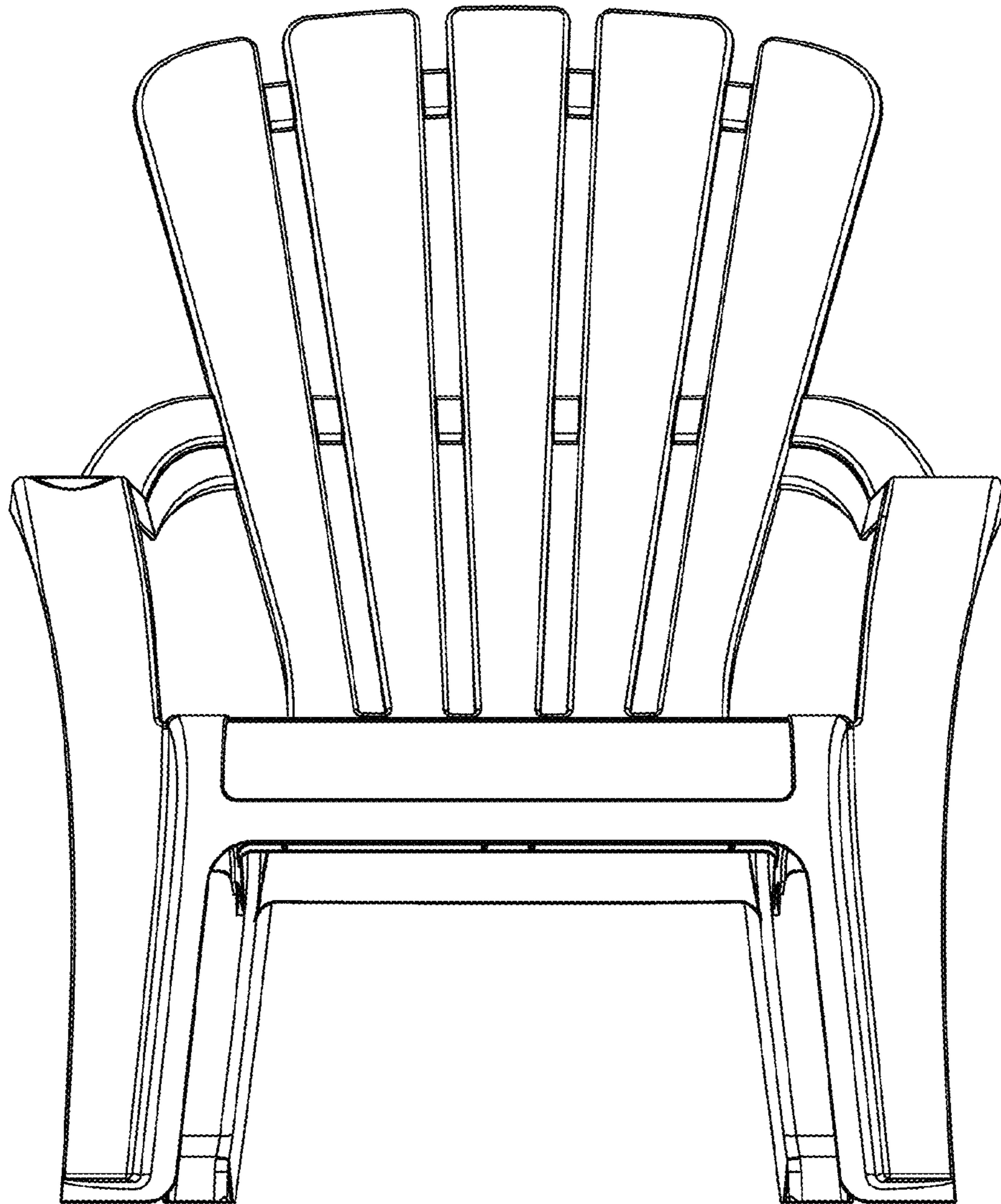


Fig. 5

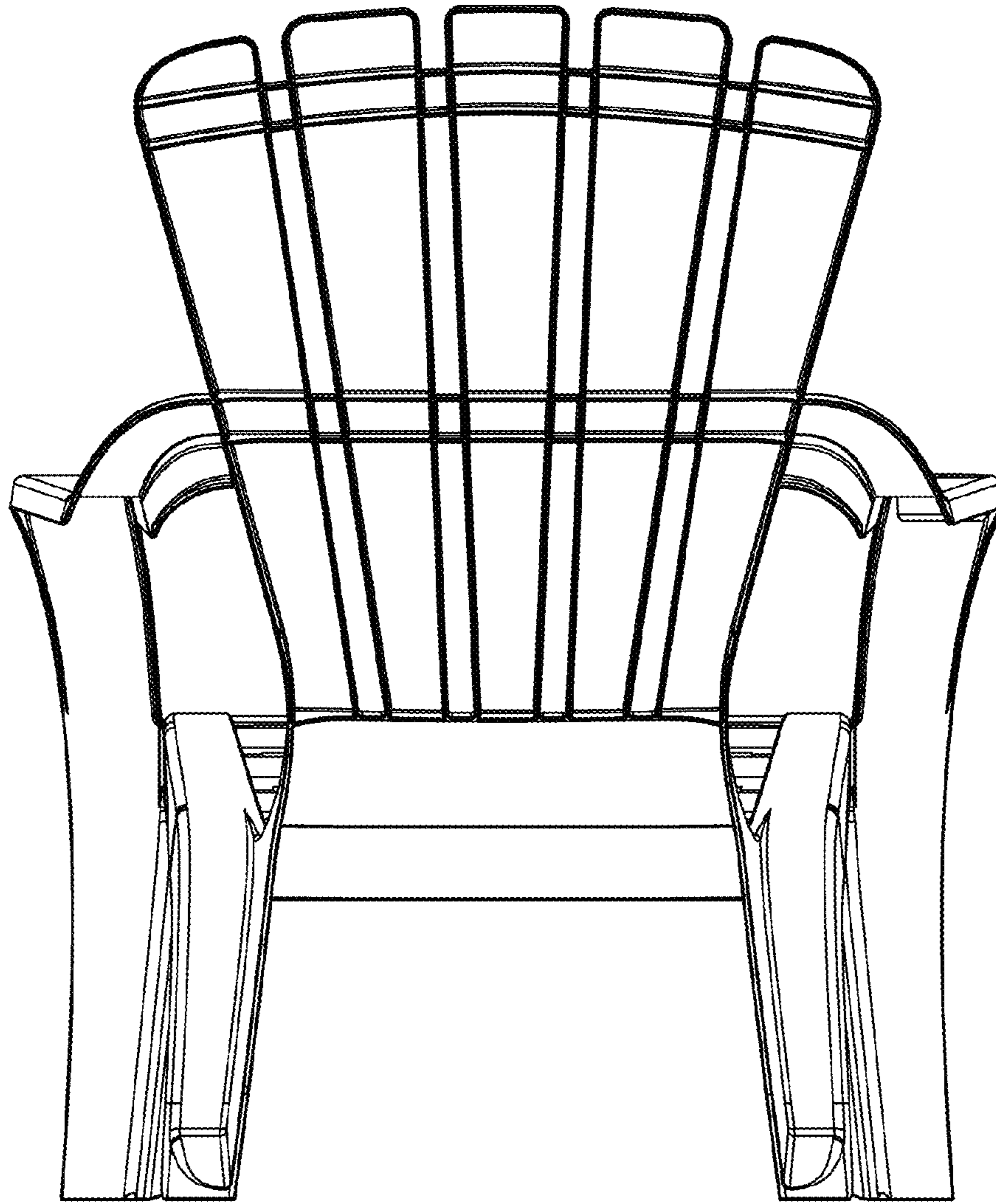


Fig. 6

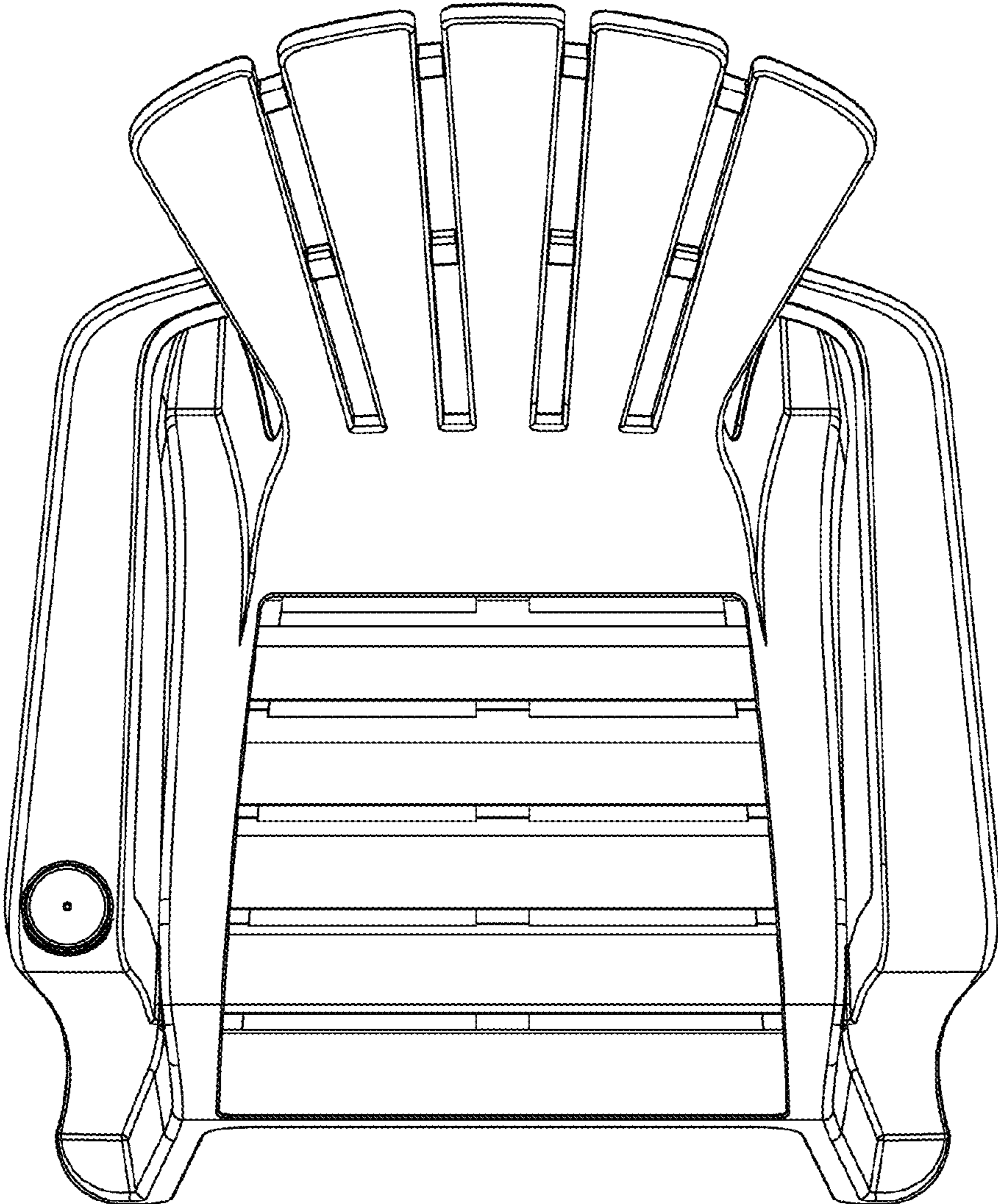


Fig. 7

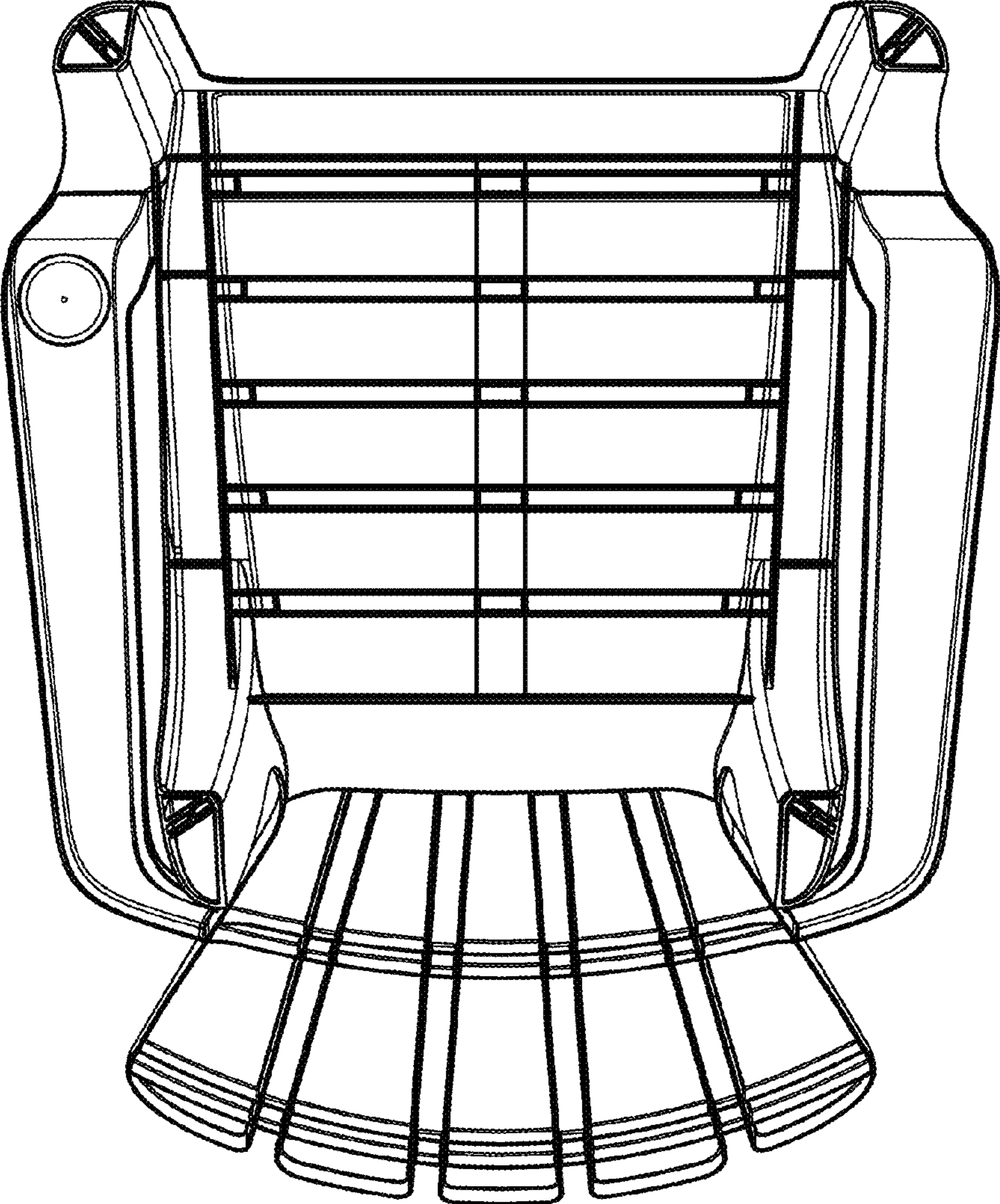


Fig. 8

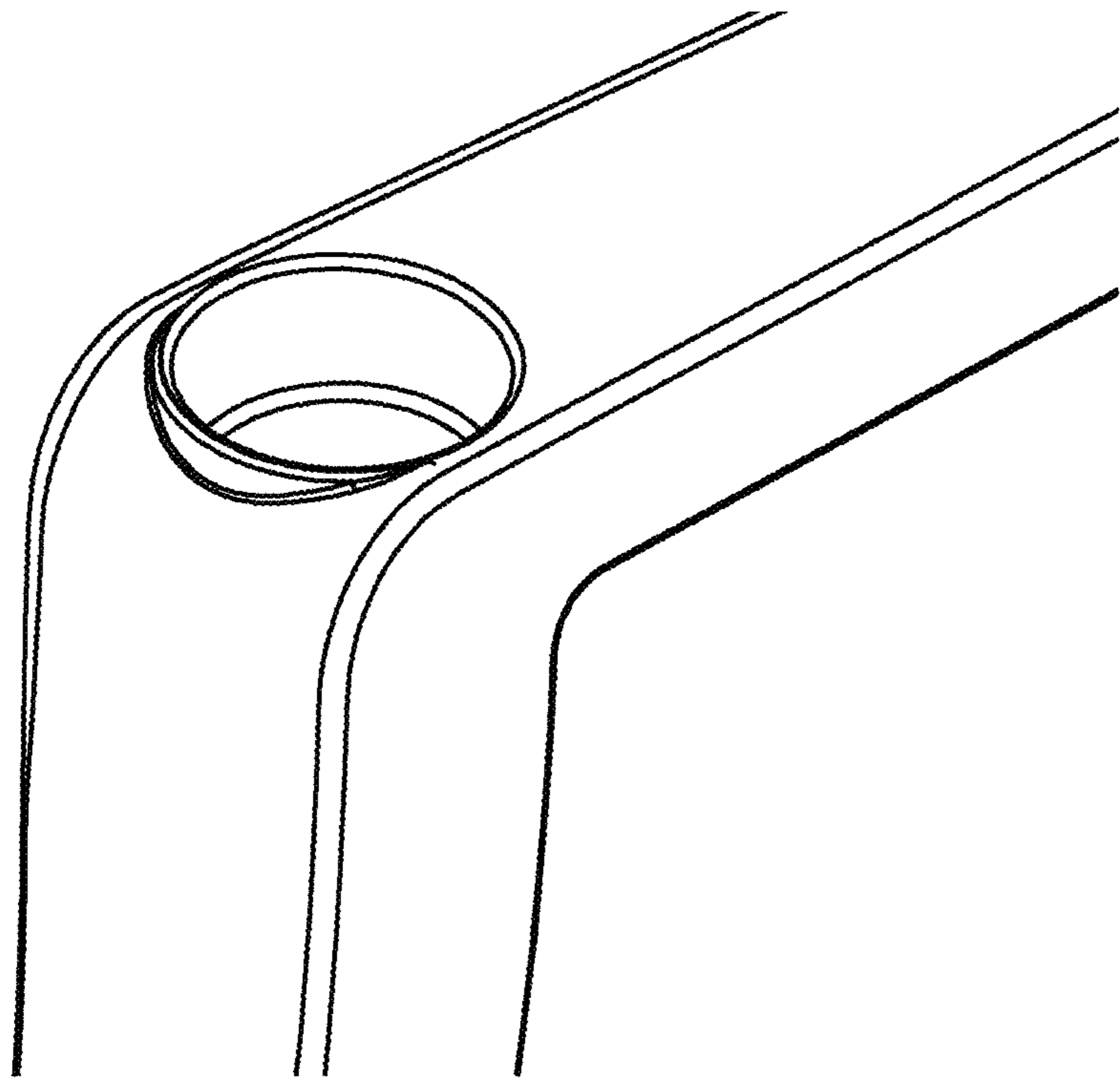


Fig. 9

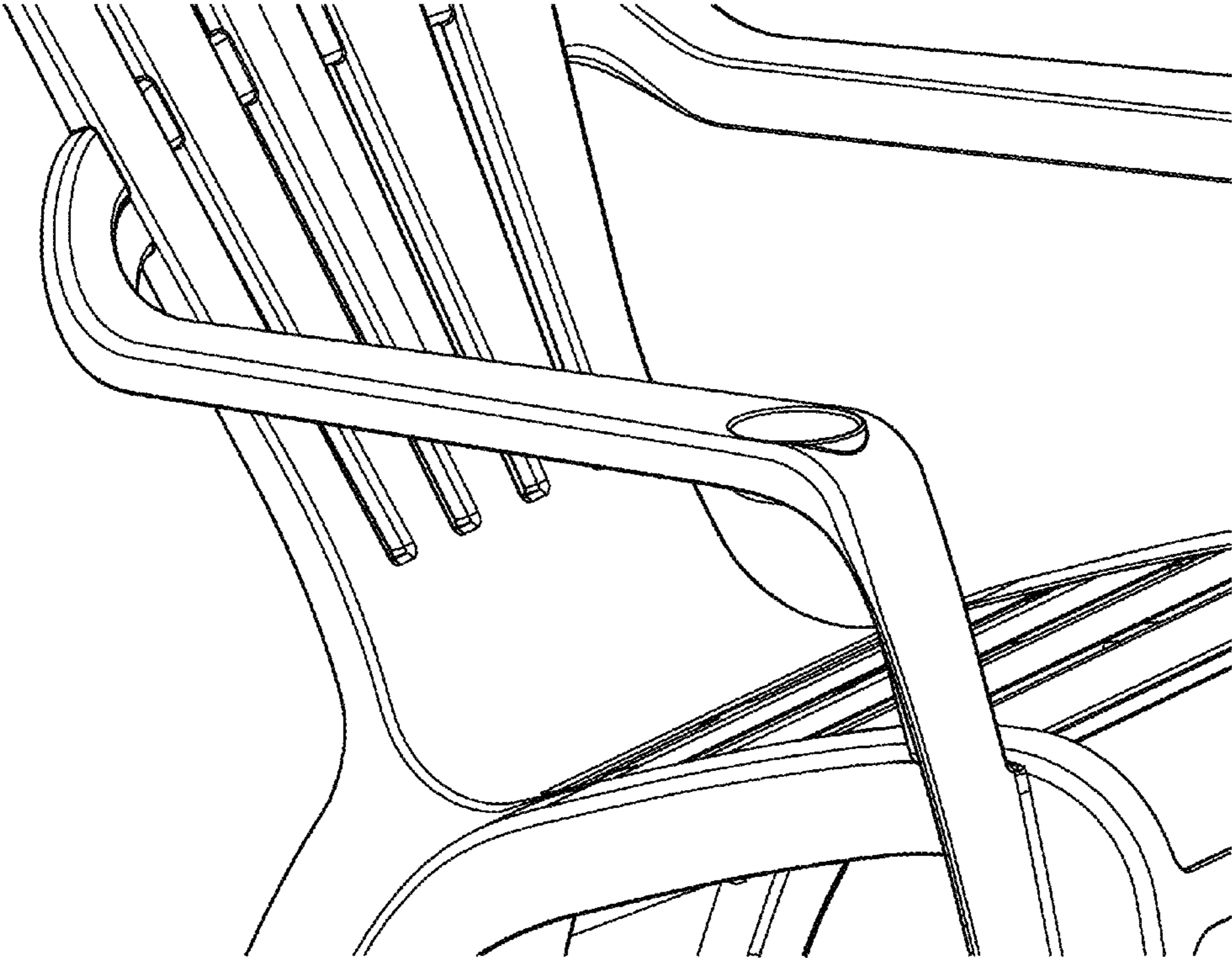


Fig. 10

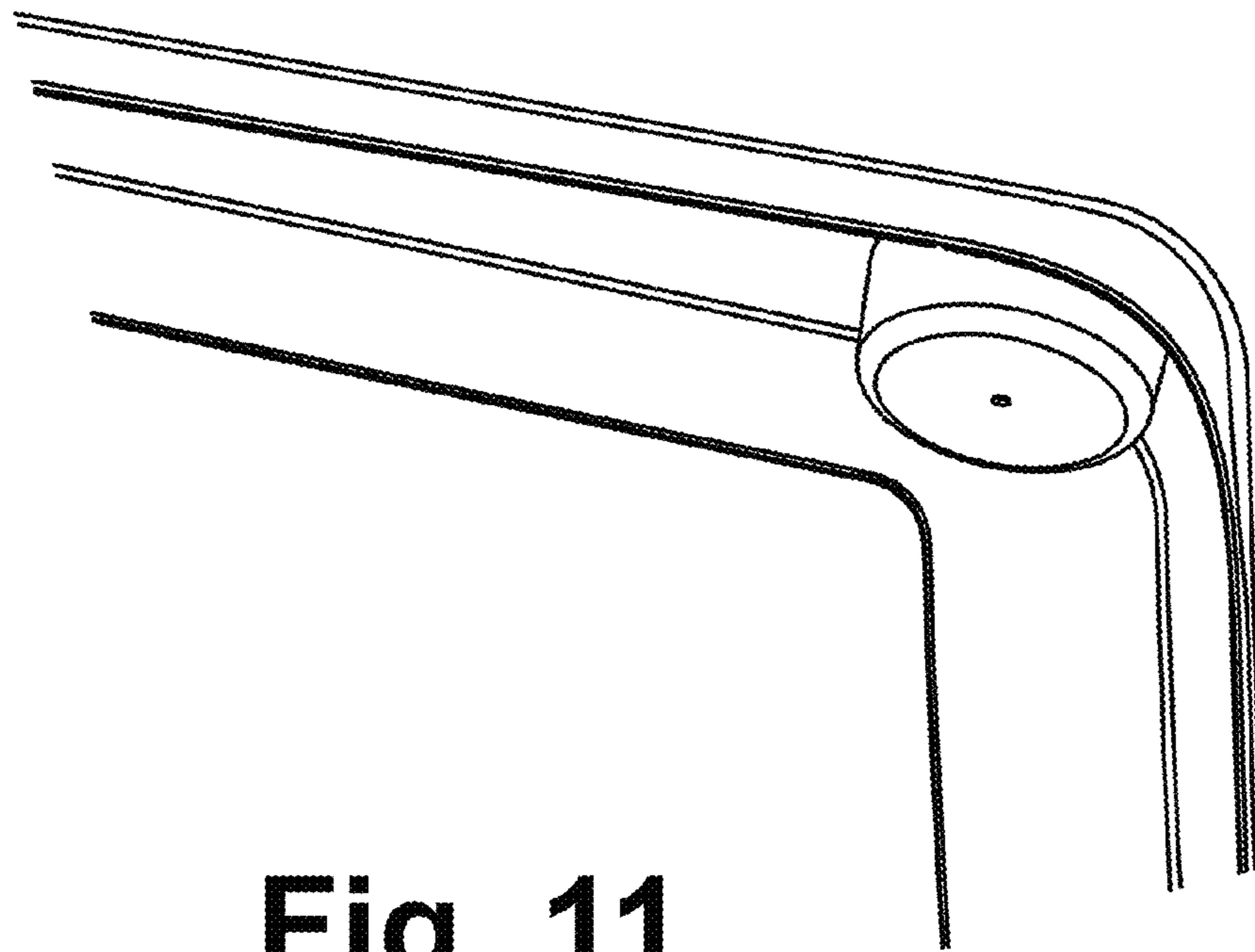


Fig. 11

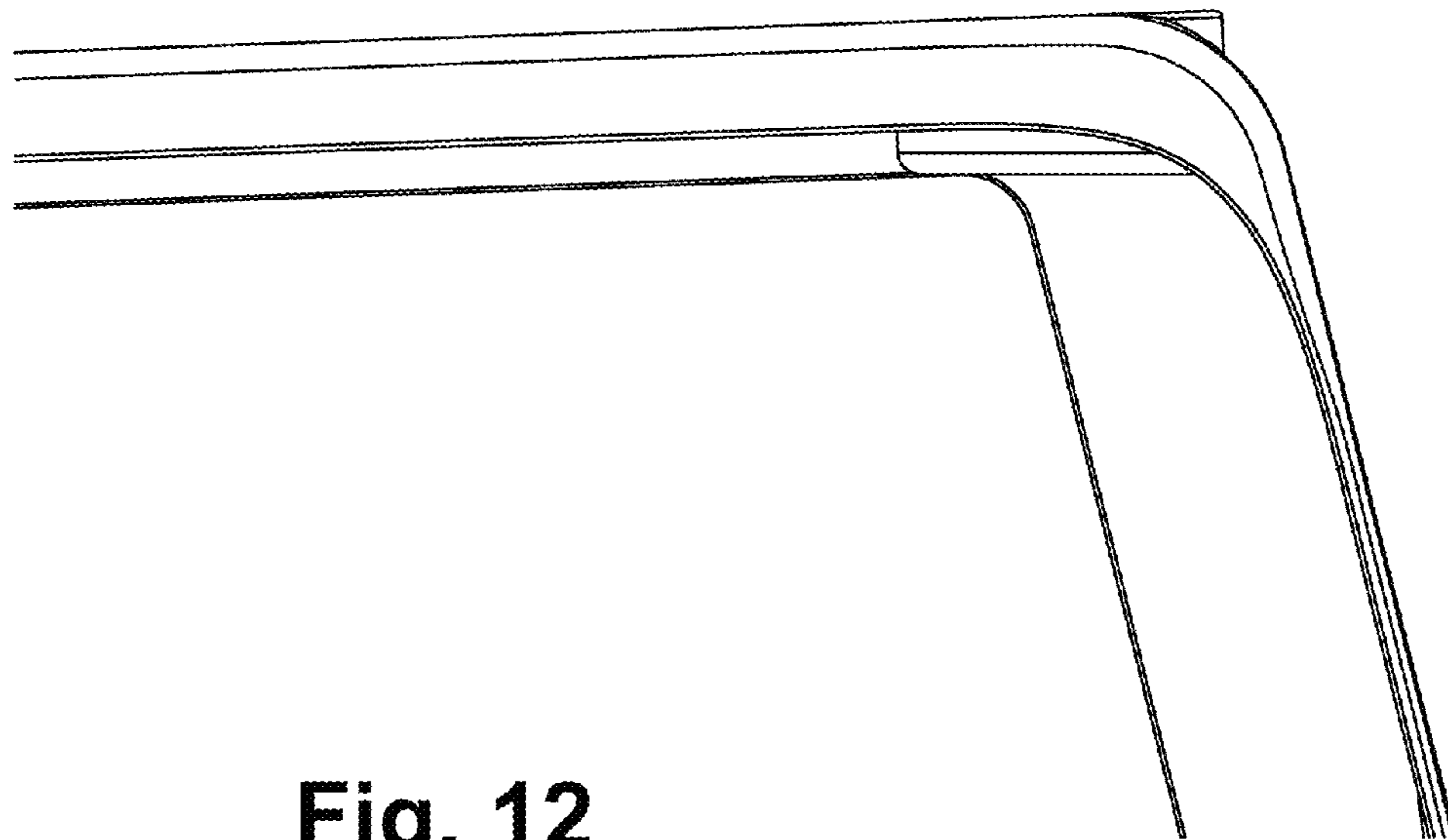


Fig. 12