



US00D717057S

(12) **United States Design Patent**
Inestroza

(10) **Patent No.:** **US D717,057 S**

(45) **Date of Patent:** **** Nov. 11, 2014**

(54) **BACK SUPPORT**

(71) Applicant: **Marlon Inestroza**, San Francisco, CA
(US)

(72) Inventor: **Marlon Inestroza**, San Francisco, CA
(US)

(**) Term: **14 Years**

(21) Appl. No.: **29/453,448**

(22) Filed: **Apr. 29, 2013**

(51) **LOC (10) Cl.** **06-01**

(52) **U.S. Cl.**

USPC **D6/368**

(58) **Field of Classification Search**

CPC A47C 4/52; A47C 16/005; A47C 1/146;
A47C 20/027

USPC D6/334-336, 368, 374, 375, 379, 380,
D6/716, 716.1, 716.2, 716.3, 716.4;
297/17, 112, 350, 377; 5/633, 656

See application file for complete search history.

(56) **References Cited**

U.S. PATENT DOCUMENTS

| | | | | | |
|-----------|-----|---------|--------|-------|-------------|
| 1,659,093 | A * | 2/1928 | Gaskin | | A47C 16/005 |
| 2,828,808 | A * | 4/1958 | Hilton | | A47C 1/146 |
| D190,806 | S * | 7/1961 | Emery | | D6/368 |
| 3,041,637 | A * | 7/1962 | Emery | | A47C 20/027 |
| 3,121,884 | A * | 2/1964 | Emery | | A47C 1/146 |
| 3,276,817 | A * | 10/1966 | Marple | | A47C 1/146 |
| D244,336 | S * | 5/1977 | Stein | | D6/368 |

| | | | | | |
|-----------|------|---------|------------------|-------|-------------|
| 4,363,517 | A * | 12/1982 | Scott | | A47C 16/005 |
| 4,654,907 | A * | 4/1987 | Haugaard | | A47C 4/52 |
| 4,869,553 | A * | 9/1989 | Powell | | A47C 1/146 |
| 5,020,854 | A * | 6/1991 | Powell | | A47C 1/146 |
| D337,000 | S * | 7/1993 | Williams | | D6/368 |
| D371,250 | S * | 7/1996 | Herman | | D6/368 |
| 5,882,079 | A * | 3/1999 | Yang | | A47C 1/146 |
| D430,747 | S * | 9/2000 | Hill | | D6/368 |
| 6,250,712 | B1 * | 6/2001 | Livington et al. | | A47C 4/52 |

* cited by examiner

Primary Examiner — Mimosa De

(74) *Attorney, Agent, or Firm* — Antero & Tormey LLP;
Peter Tormey

(57) **CLAIM**

The ornamental design for a back support, as shown and described.

DESCRIPTION

FIG. 1 is a front perspective view

FIG. 2 is a rear view

FIG. 3 is a front view

FIG. 4 is a left side view

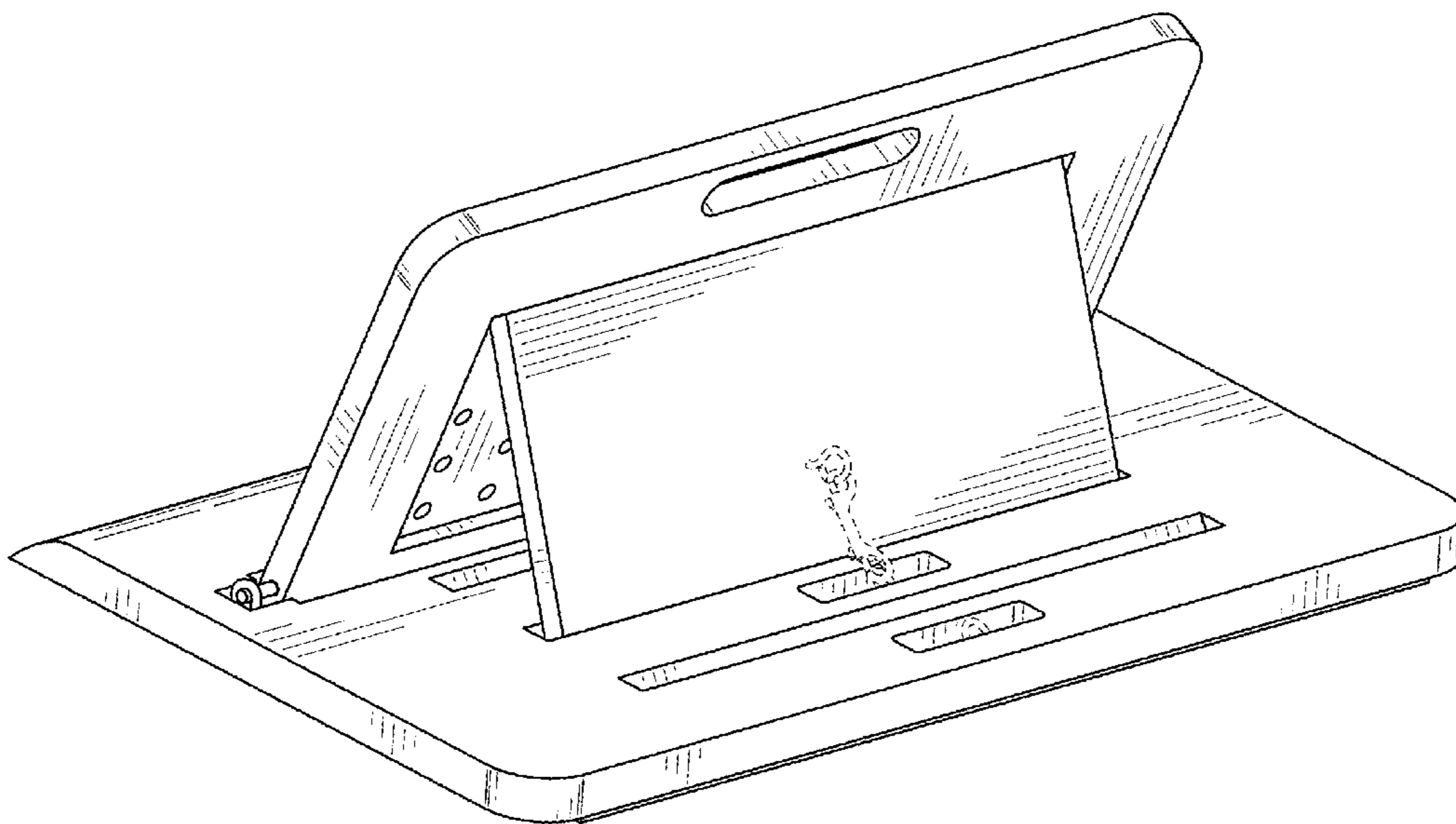
FIG. 5 is a right side view

FIG. 6 is a top view; and,

FIG. 7 is a bottom view.

The broken lines shown are included for the purpose of illustrating environmental structure and form no part of the claimed design.

1 Claim, 4 Drawing Sheets



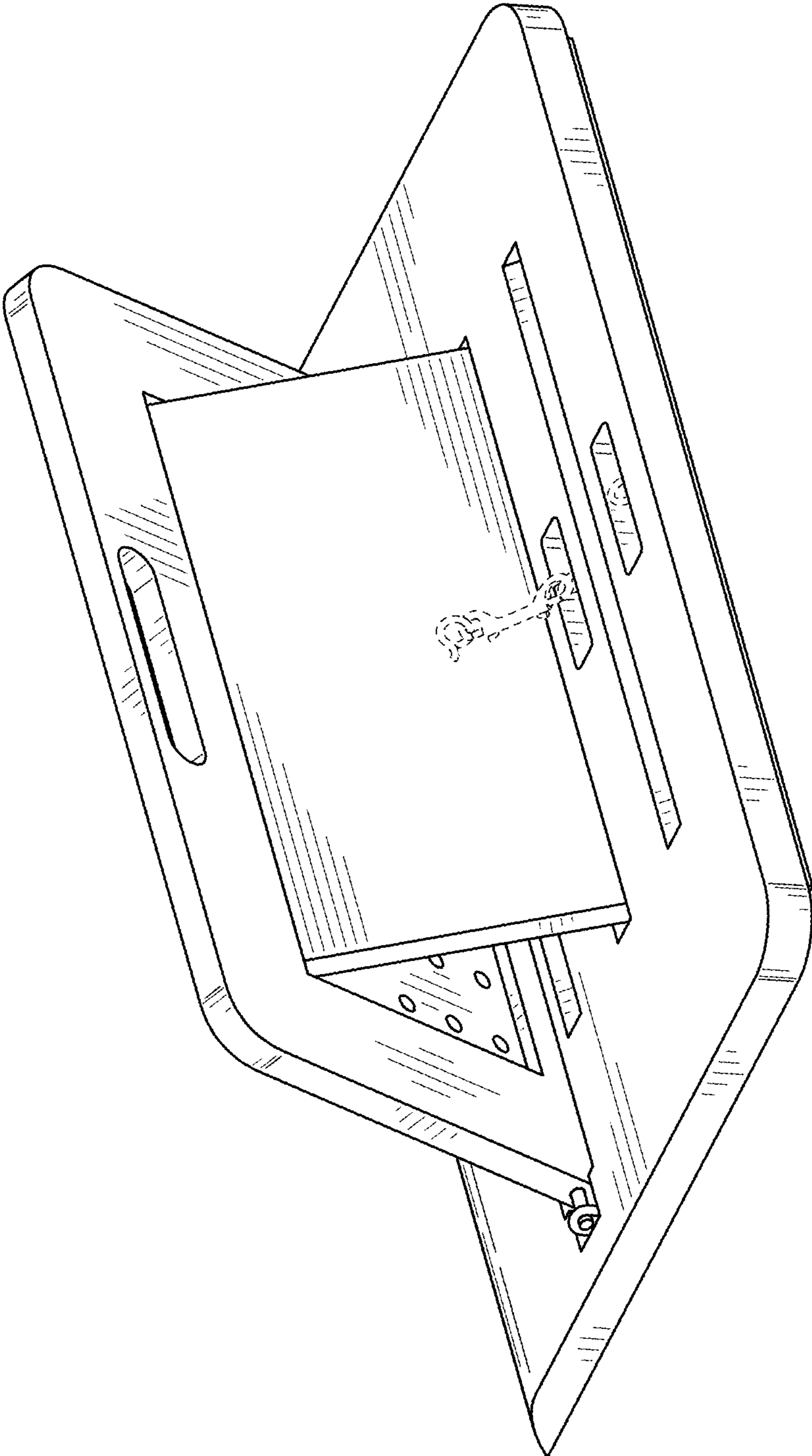


FIG. 1

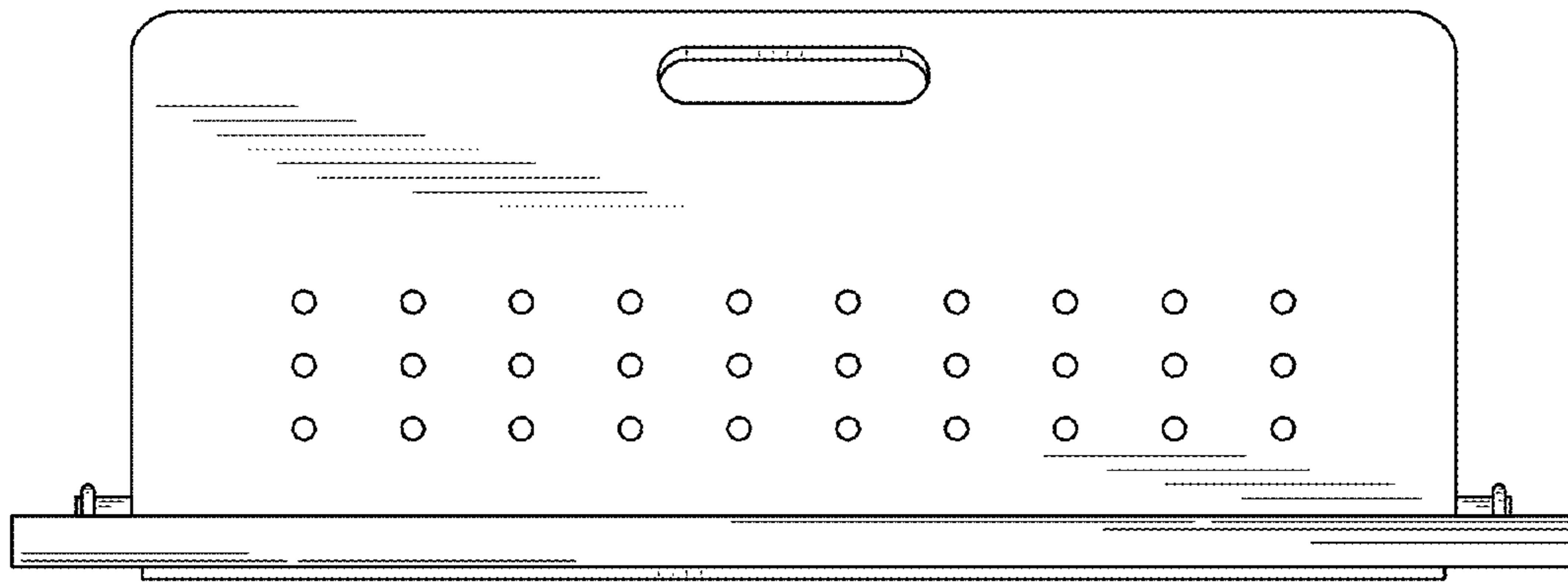


FIG. 2

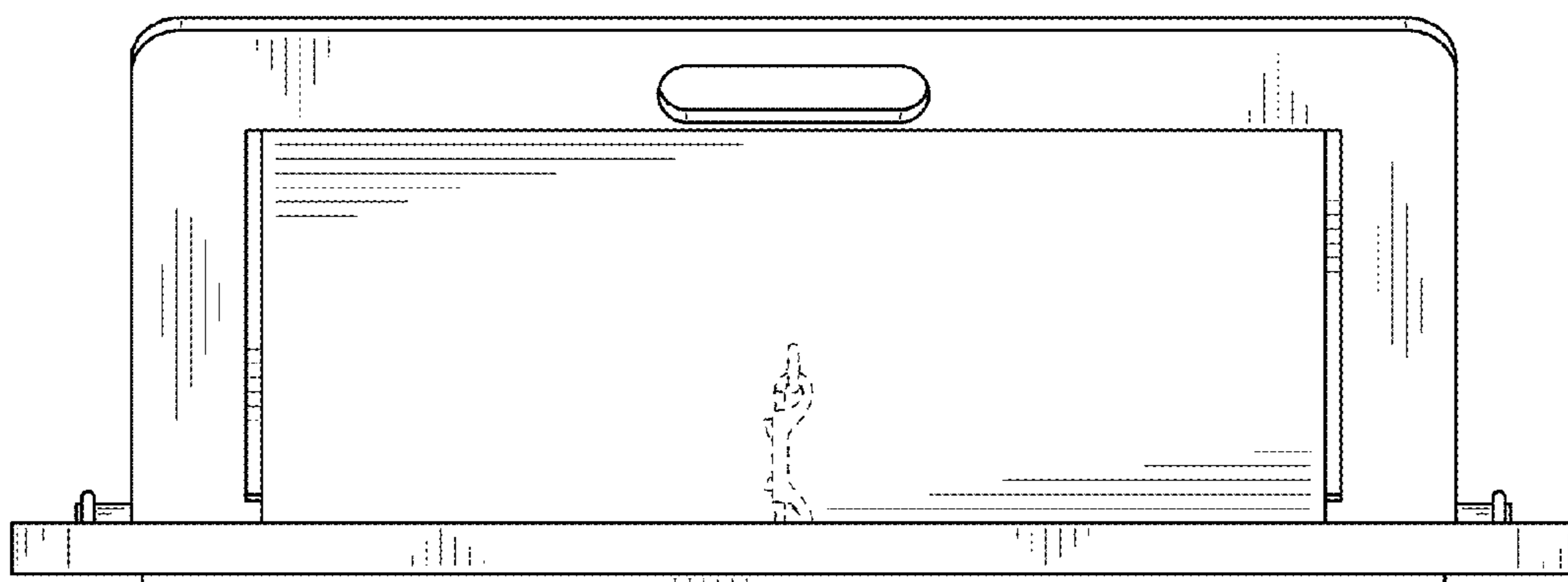


FIG. 3

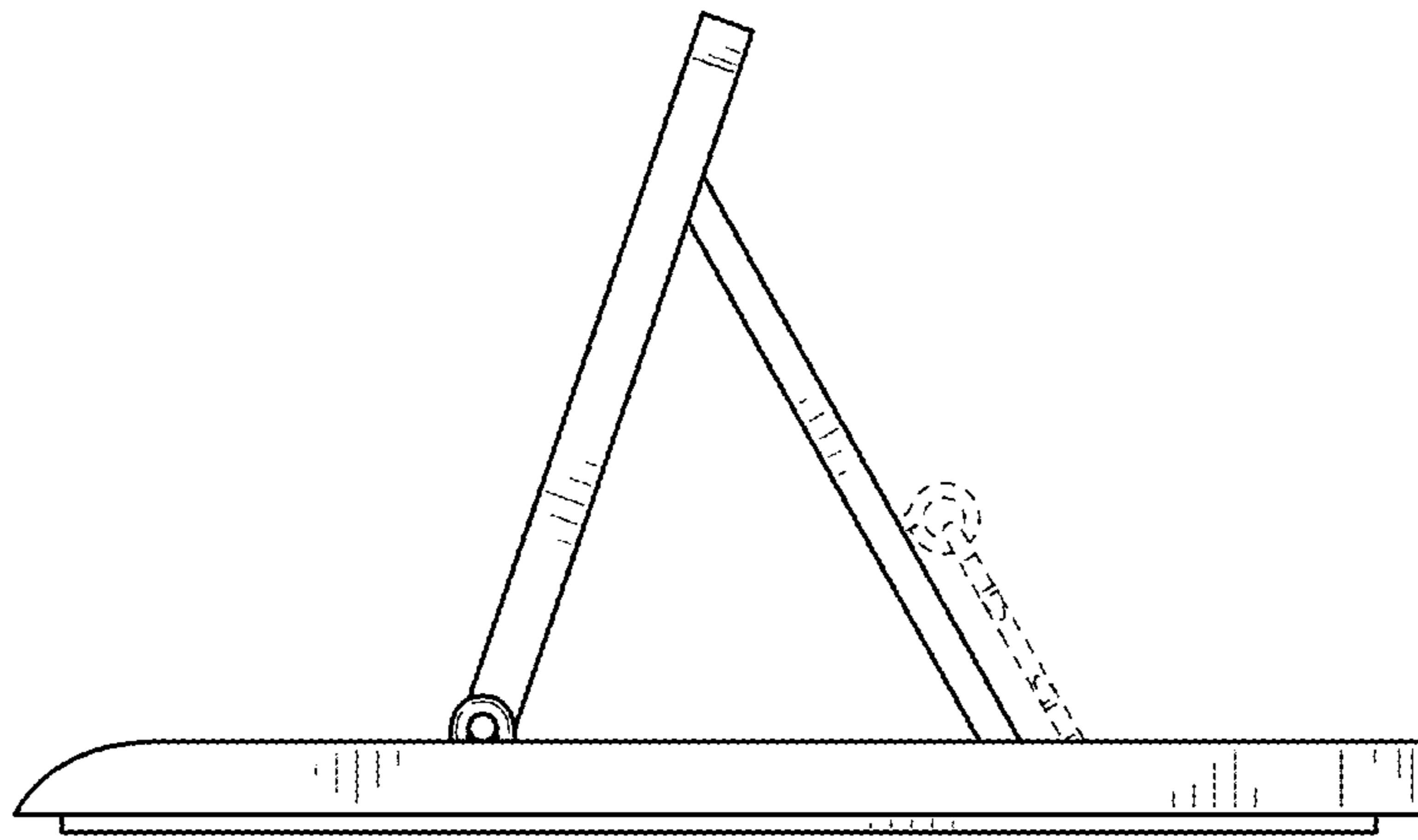


FIG. 4

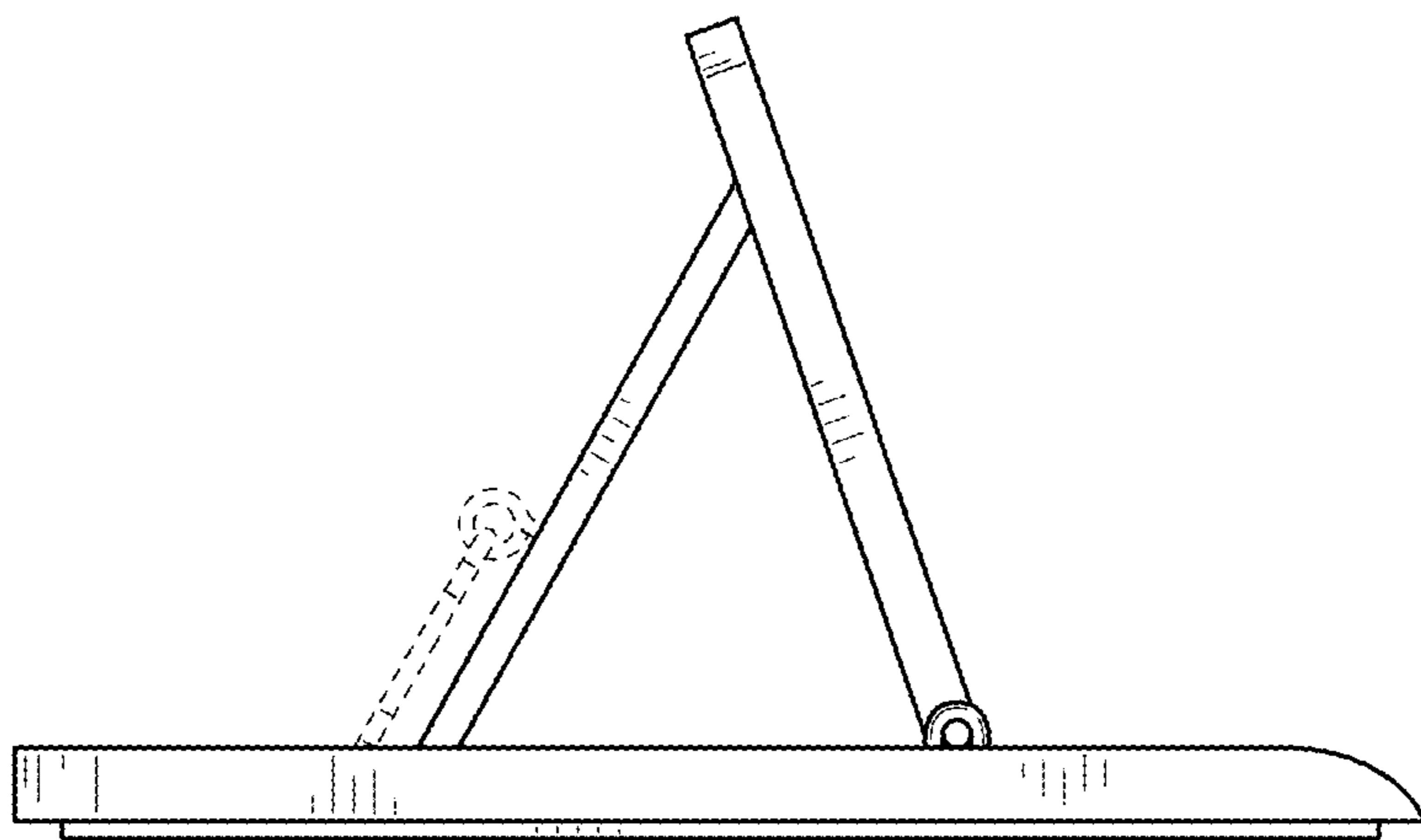


FIG. 5

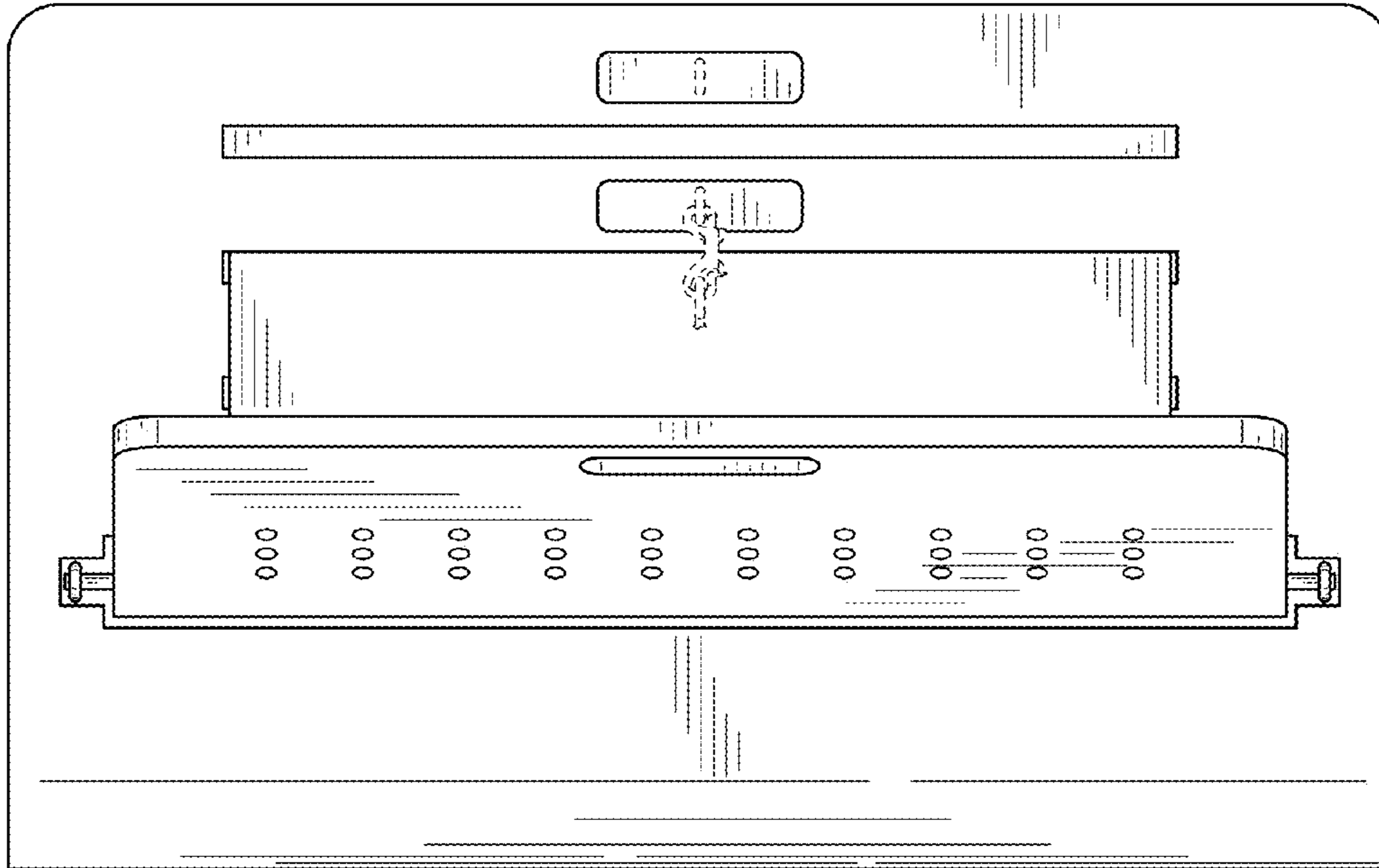


FIG. 6

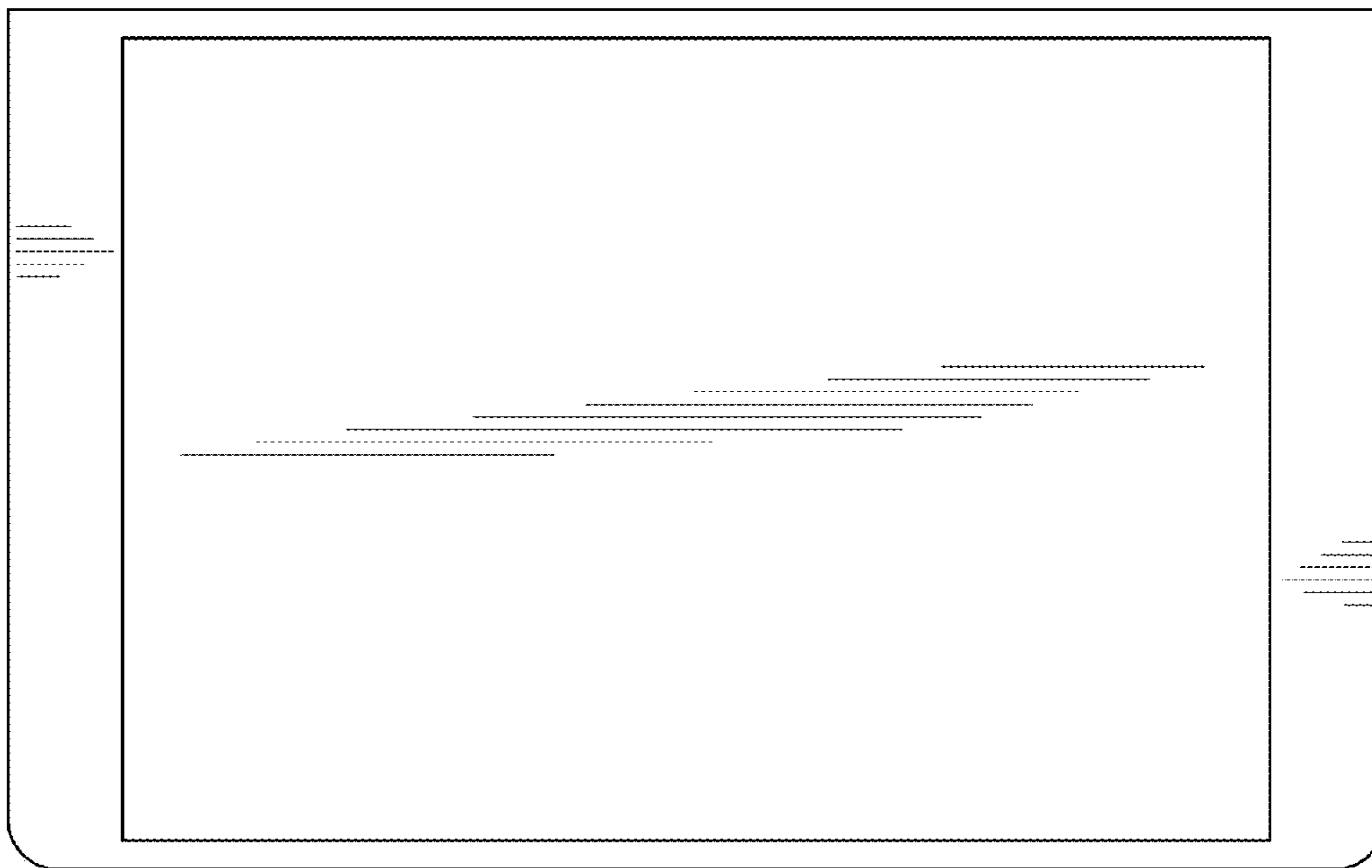


FIG. 7