



US00D717056S

(12) **United States Design Patent**
Adjaye

(10) **Patent No.:** **US D717,056 S**

(45) **Date of Patent:** **** Nov. 11, 2014**

(54) **CHAIR**

(71) Applicant: **Knoll, Inc.**, East Greenville, PA (US)

(72) Inventor: **David Adjaye**, London (GB)

(73) Assignee: **Knoll, Inc.**, East Greenville, PA (US)

(**) Term: **14 Years**

(21) Appl. No.: **29/456,631**

(22) Filed: **May 31, 2013**

(51) **LOC (10) Cl.** **06-01**

(52) **U.S. Cl.**
USPC **D6/364**

(58) **Field of Classification Search**
CPC A47C 27/086; A47C 4/028; A47C 3/16;
A47C 4/54
USPC D6/334-336, 364, 365, 374, 375, 377,
D6/716, 716.1, 716.2, 716.3, 716.4;
5/655.3, 655.4; 297/451.4, 452.17
See application file for complete search history.

(56) **References Cited**

U.S. PATENT DOCUMENTS

D222,538 S * 11/1971 Bernard D6/364
D222,745 S * 12/1971 Bernard D6/364

D227,835 S * 7/1973 Kuhlmann D6/364
D237,916 S * 12/1975 Mleinik D6/368
D244,164 S * 5/1977 Haynes, Sr. D6/377
D248,701 S * 8/1978 Haynes, Sr. D6/377
4,421,356 A * 12/1983 Singer A47C 4/028
D493,964 S * 8/2004 Low D6/377
D549,471 S * 8/2007 Bauchet D6/375
D549,971 S * 9/2007 Jourdan D6/375
D646,496 S * 10/2011 Fukasawa D6/364
D670,508 S * 11/2012 Barber D6/364
8,336,964 B2 * 12/2012 Cho A47C 27/086

* cited by examiner

Primary Examiner — Mimosa De

(74) *Attorney, Agent, or Firm* — Buchanan Ingersoll & Rooney PC

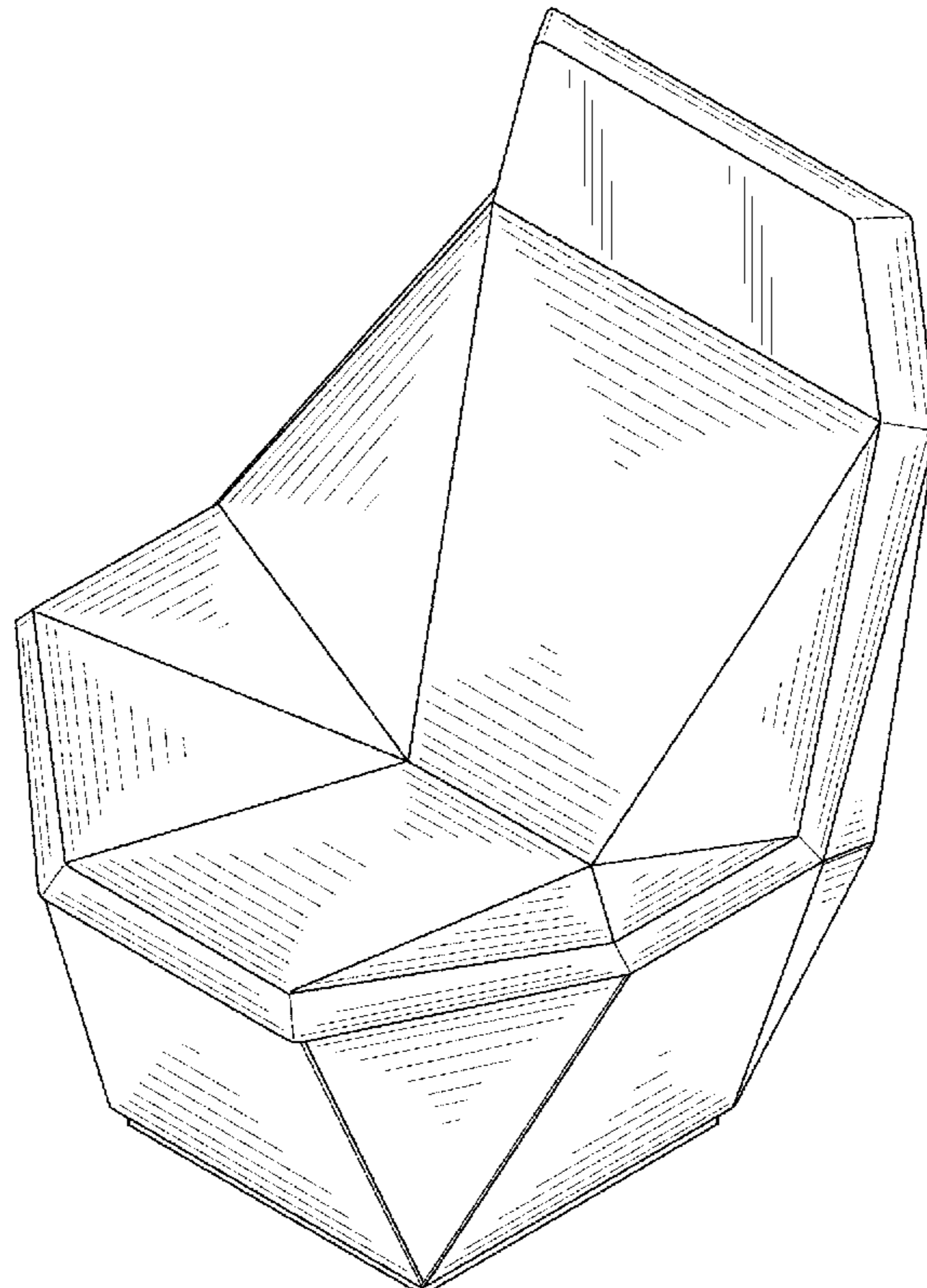
(57) **CLAIM**

The ornamental design for a chair, as shown and described.

DESCRIPTION

FIG. 1 is a perspective view of a chair showing my new design;
FIG. 2 is a front elevational view thereof;
FIG. 3 is a rear elevational view thereof;
FIG. 4 is a top plan view thereof;
FIG. 5 is a bottom plan view thereof;
FIG. 6 is a left side elevational view thereof; and,
FIG. 7 is a right side elevational view thereof.

1 Claim, 6 Drawing Sheets



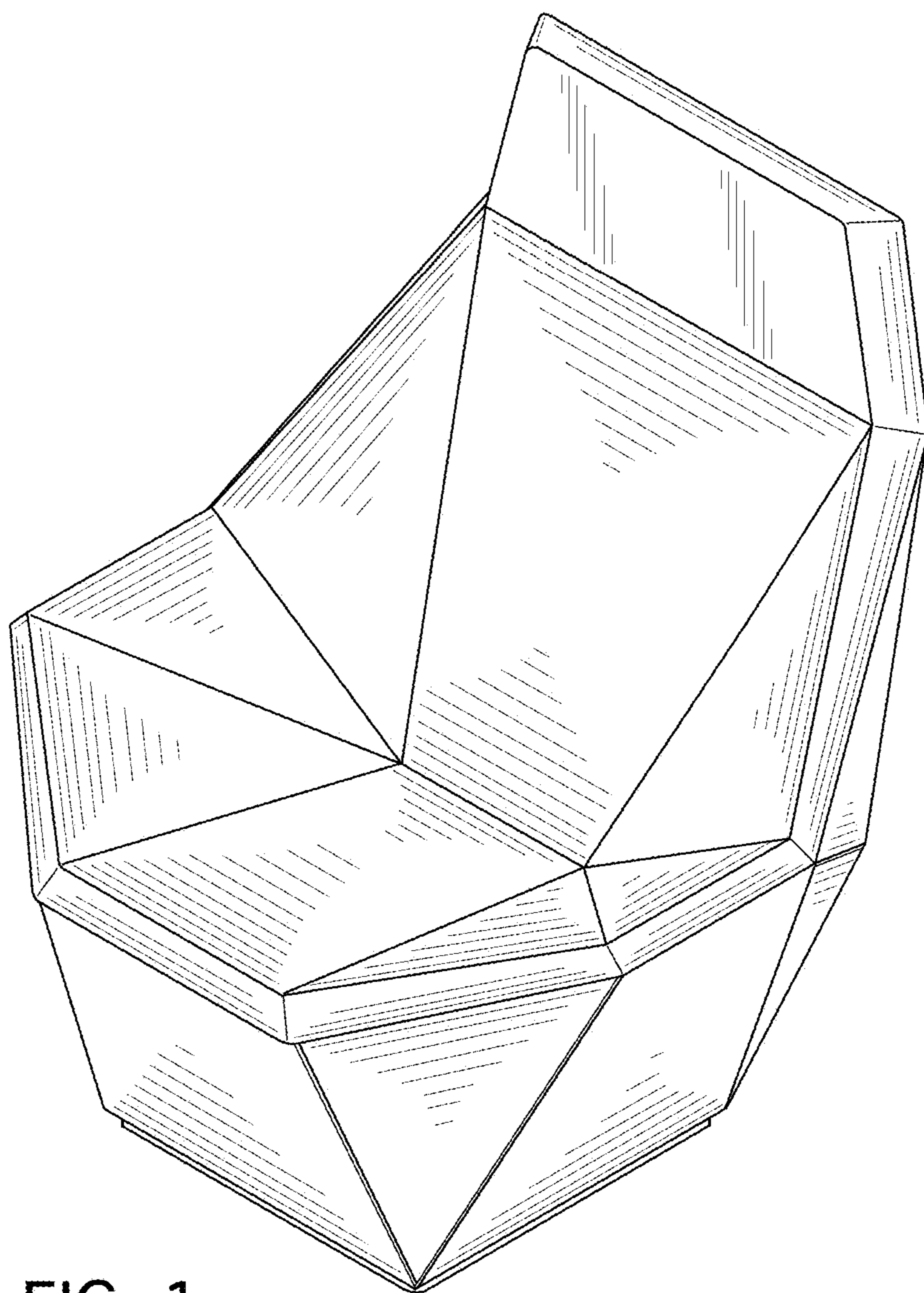


FIG. 1

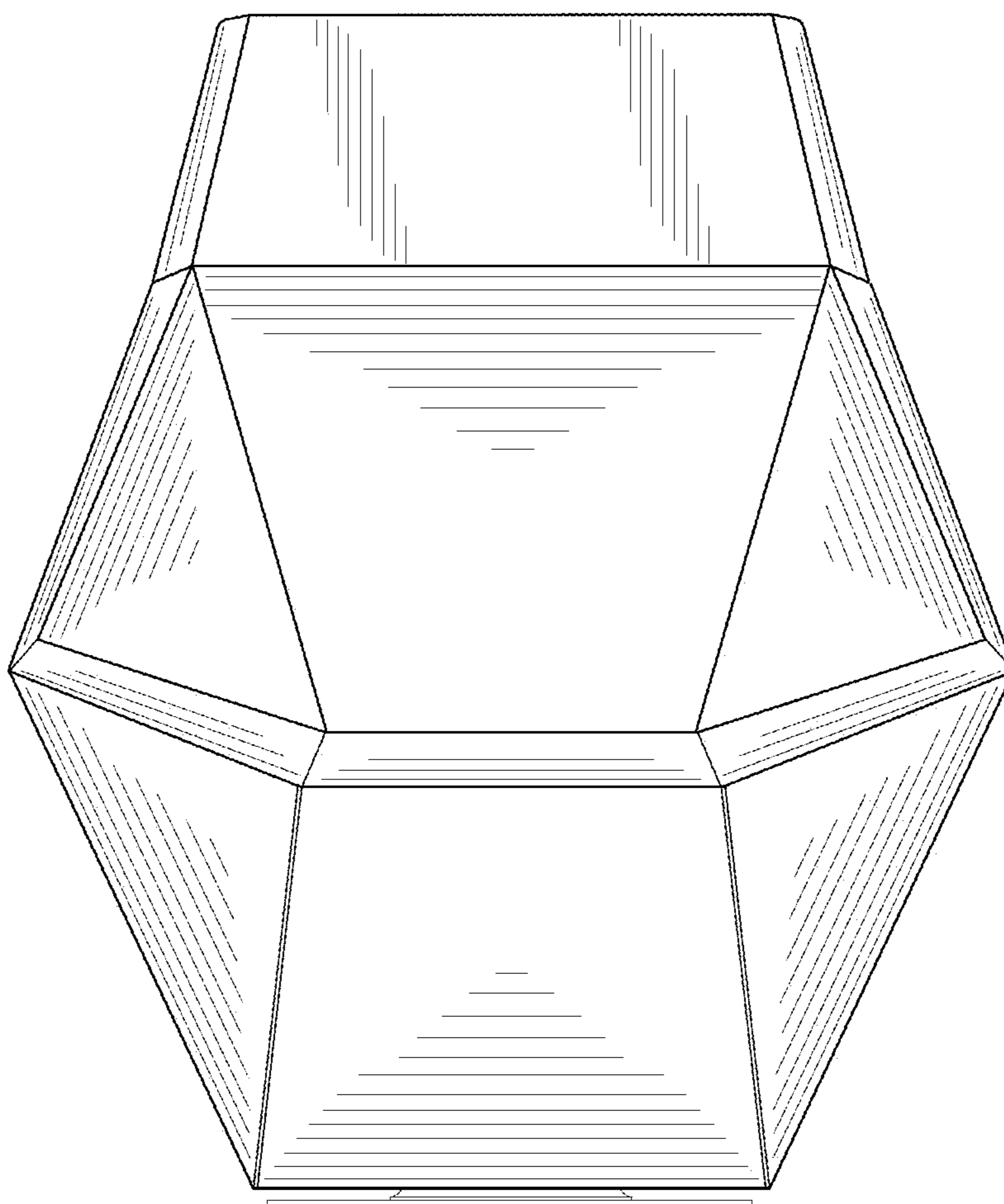


FIG. 2

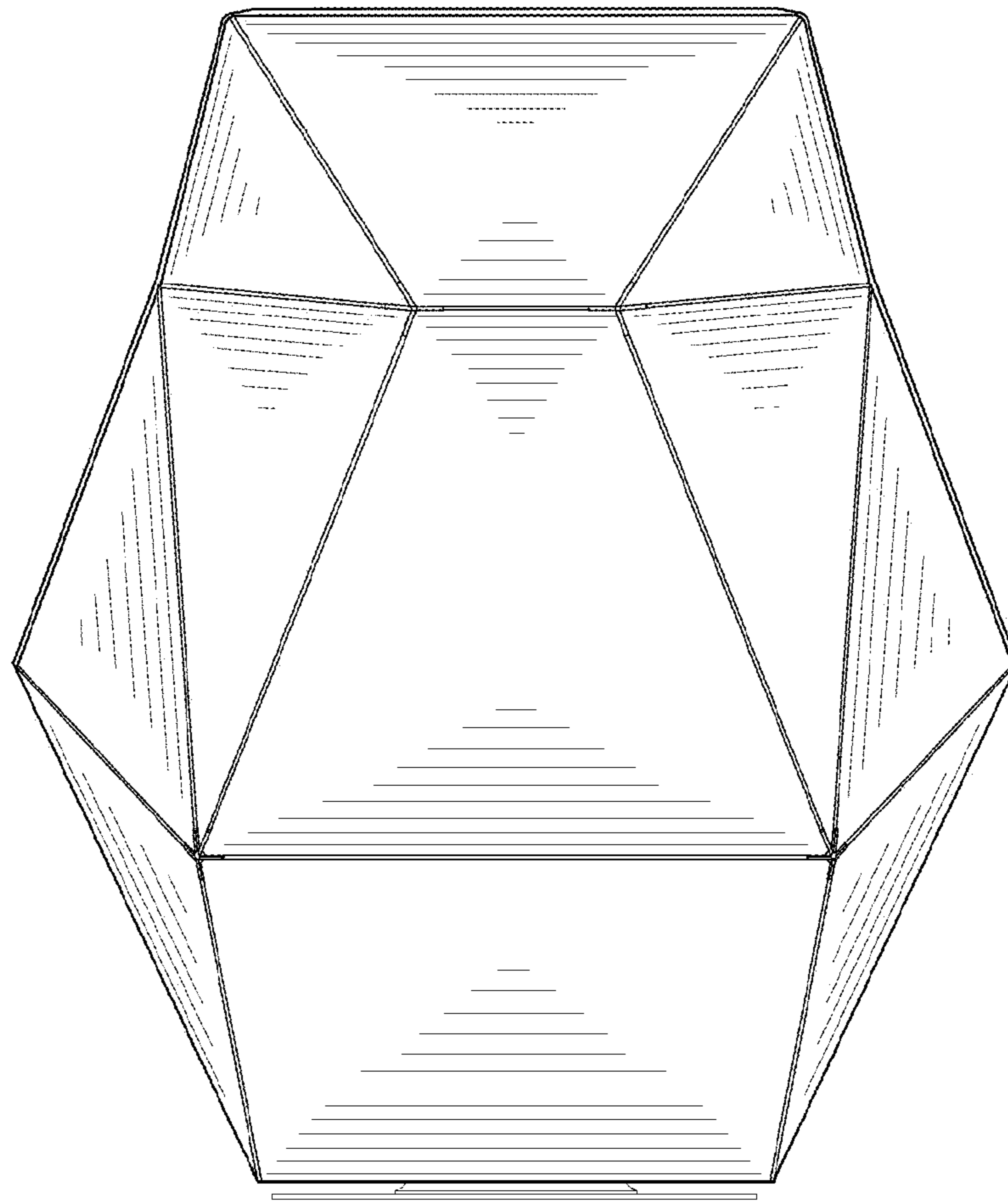


FIG. 3

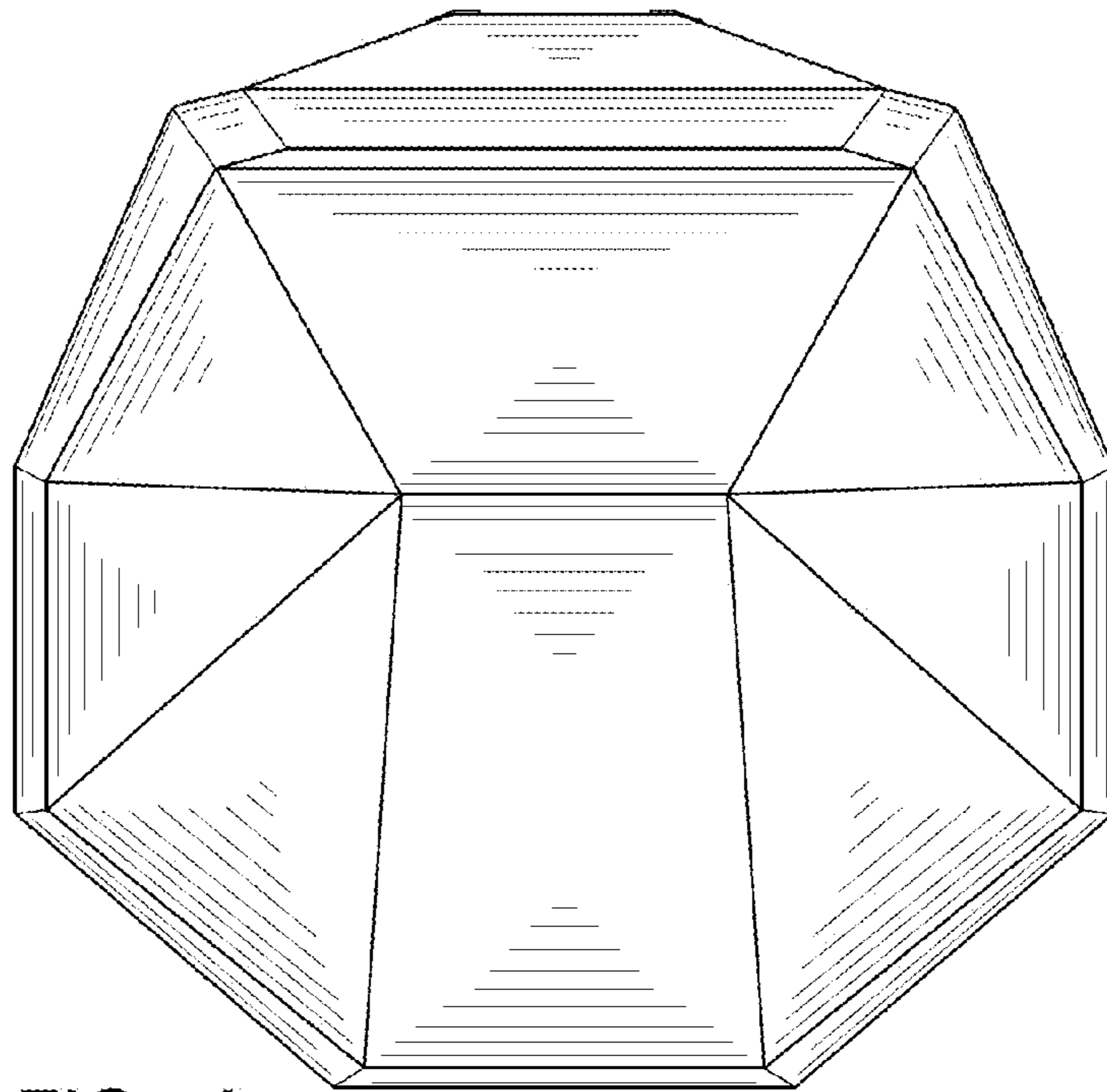


FIG. 4

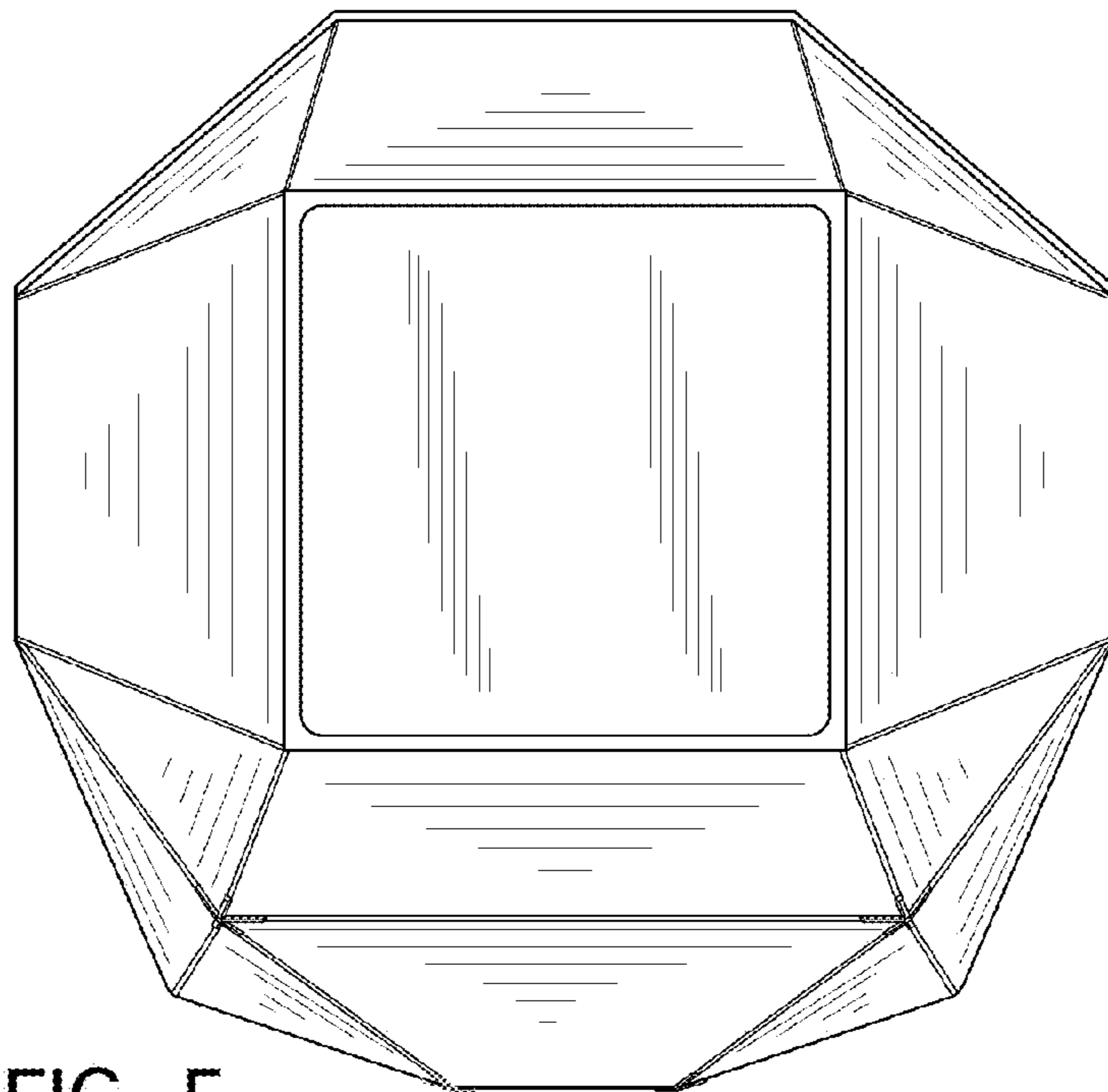


FIG. 5

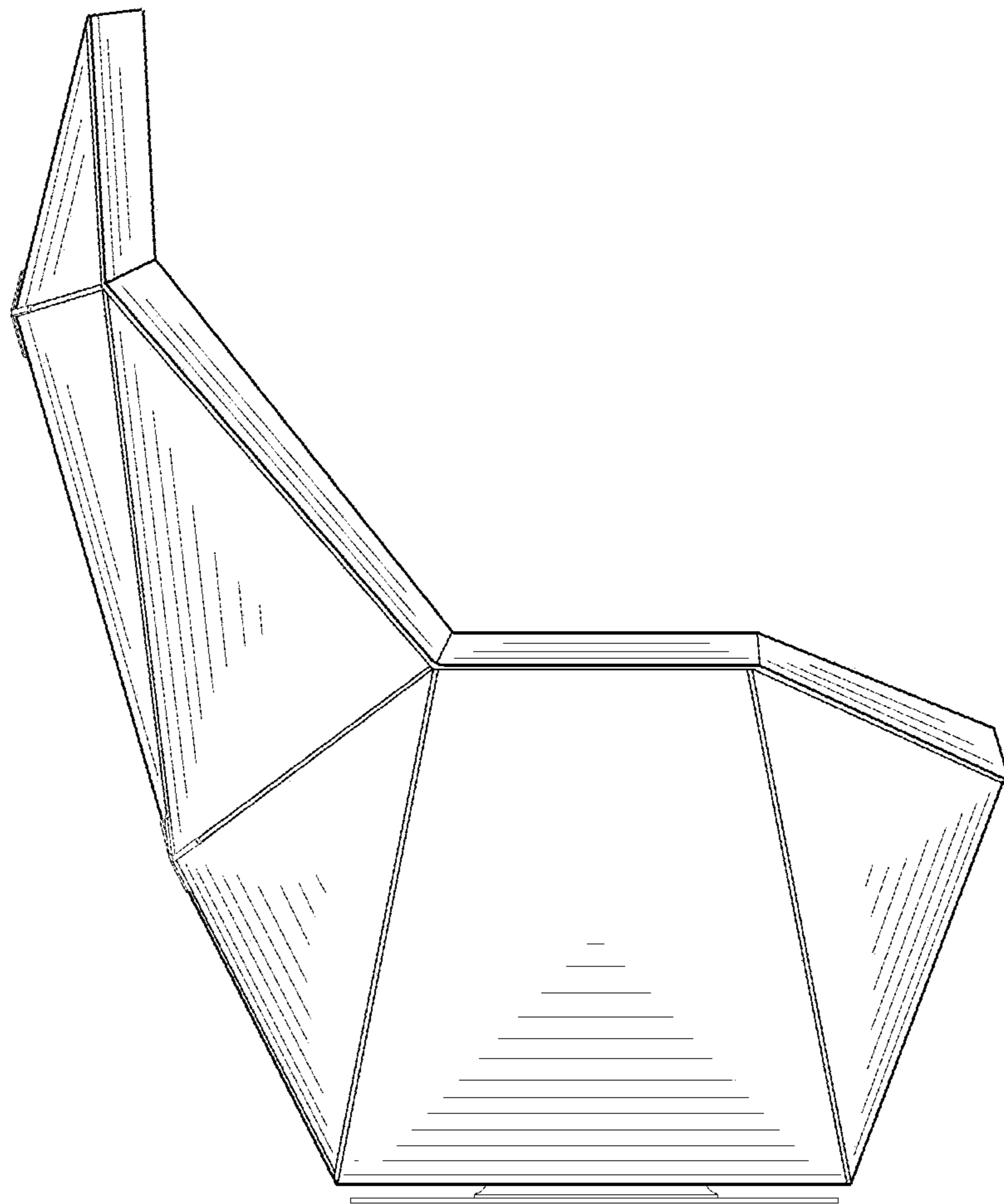


FIG. 6

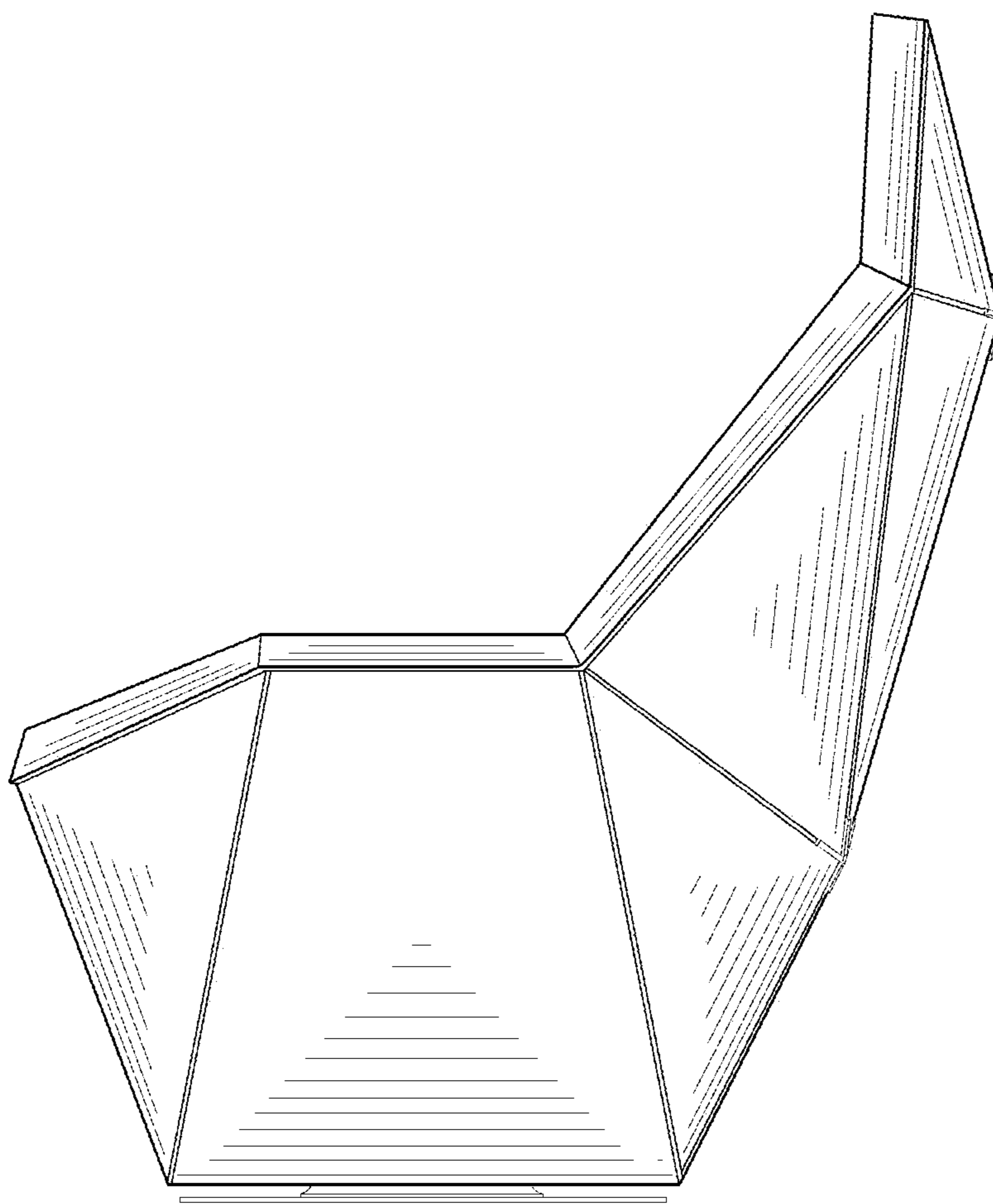


FIG. 7