



US00D717052S

(12) **United States Design Patent**
Franco

(10) **Patent No.:** **US D717,052 S**
(45) **Date of Patent:** **** Nov. 11, 2014**

(54) **LENTICULAR PANEL**

(71) Applicant: **Abraham Franco**, North Miami, FL
(US)

(72) Inventor: **Abraham Franco**, North Miami, FL
(US)

(**) Term: **14 Years**

(21) Appl. No.: **29/483,075**

(22) Filed: **Feb. 25, 2014**

(51) **LOC (10) Cl.** **05-06**

(52) **U.S. Cl.**
USPC **D5/64**

(58) **Field of Classification Search**
USPC D5/4, 6, 8, 11, 16, 19, 43, 44, 46, 47,
D5/48, 53, 56, 57, 60-64, 66, 99; D6/602,
D6/612, 613, 617; D19/1, 5; D25/138;
2/900; 15/208; 28/143, 150, 160, 163;
112/401, 416, 439; 428/15, 32, 66.5,
428/85, 91, 151, 152, 153, 187, 190, 542.2,
428/542.6; 442/408; D32/41

See application file for complete search history.

(56) **References Cited**

U.S. PATENT DOCUMENTS

D38,567 S *	5/1907	Sackman	D5/49
D110,350 S *	7/1938	Dunn et al.	D5/59
D122,657 S *	9/1940	Bixer	D5/61
D156,638 S *	12/1949	Lifshutz et al.	D32/49
4,000,342 A *	12/1976	Rochelle et al.	428/88
D250,200 S *	11/1978	Glaubinger	D19/1
D305,439 S *	1/1990	Spendier	D19/1
D398,639 S *	9/1998	Merrick	D19/1
6,620,485 B1 *	9/2003	Benson et al.	428/156
D481,501 S *	10/2003	Richter	D32/41
D543,670 S *	5/2007	Swinderman	D32/46
D559,550 S *	1/2008	Saitoh	D5/27
D587,909 S *	3/2009	Carlson	D5/63

D620,148 S *	7/2010	Rhee	D25/138
D668,063 S *	10/2012	Franco	D5/64
D668,064 S *	10/2012	Franco	D5/64

* cited by examiner

Primary Examiner — Karen S Acker

(74) *Attorney, Agent, or Firm* — Malloy & Malloy, P.L.

(57) **CLAIM**

The ornamental design for a lenticular panel, as shown and described.

DESCRIPTION

FIG. 1 is a view of the first embodiment of the lenticular panel placed in a right perspective position to the view shown in FIG. 3;

FIG. 2 is a view of the first embodiment of the lenticular panel placed in a left perspective position to the view shown in FIG. 3;

FIG. 3 is a top plan view of the first embodiment of a lenticular panel;

FIG. 4 is a left edge view thereof;

FIG. 5 is a rear edge view thereof;

FIG. 6 is a right edge view thereof;

FIG. 7 is a front edge view thereof;

FIG. 8 is a bottom view thereof;

FIG. 9 is a view of the second embodiment of the lenticular panel placed in a right perspective position to the view shown in FIG. 11;

FIG. 10 is a view the second embodiment of the lenticular panel placed in a left perspective position to the view shown in FIG. 11;

FIG. 11 is a top plan view of the second embodiment of the lenticular panel;

FIG. 12 is a left edge view thereof;

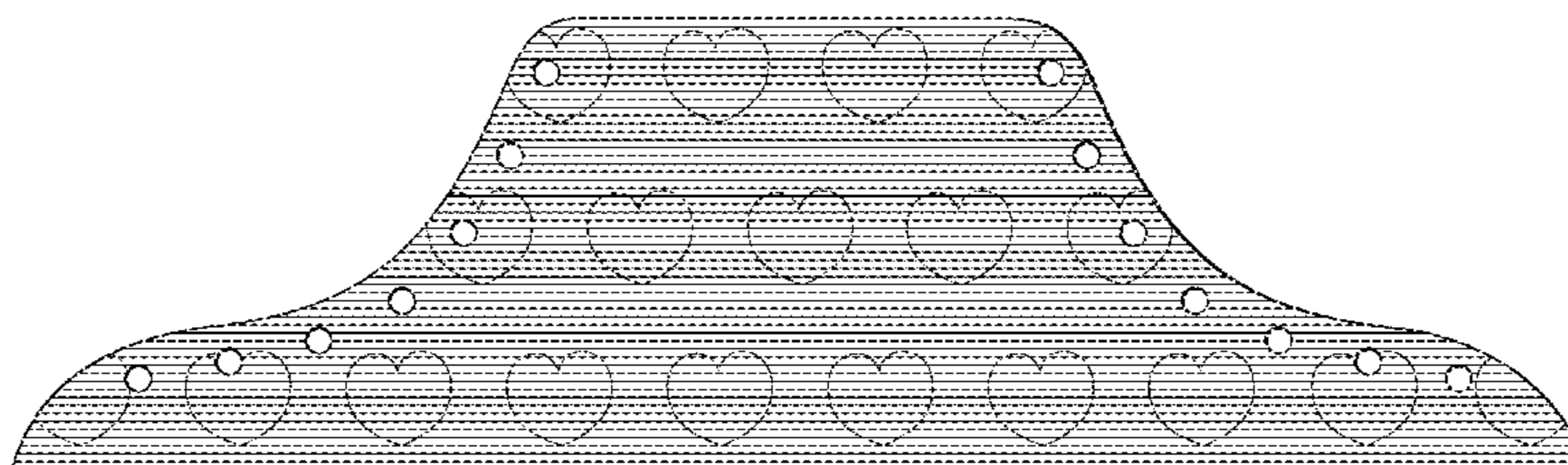
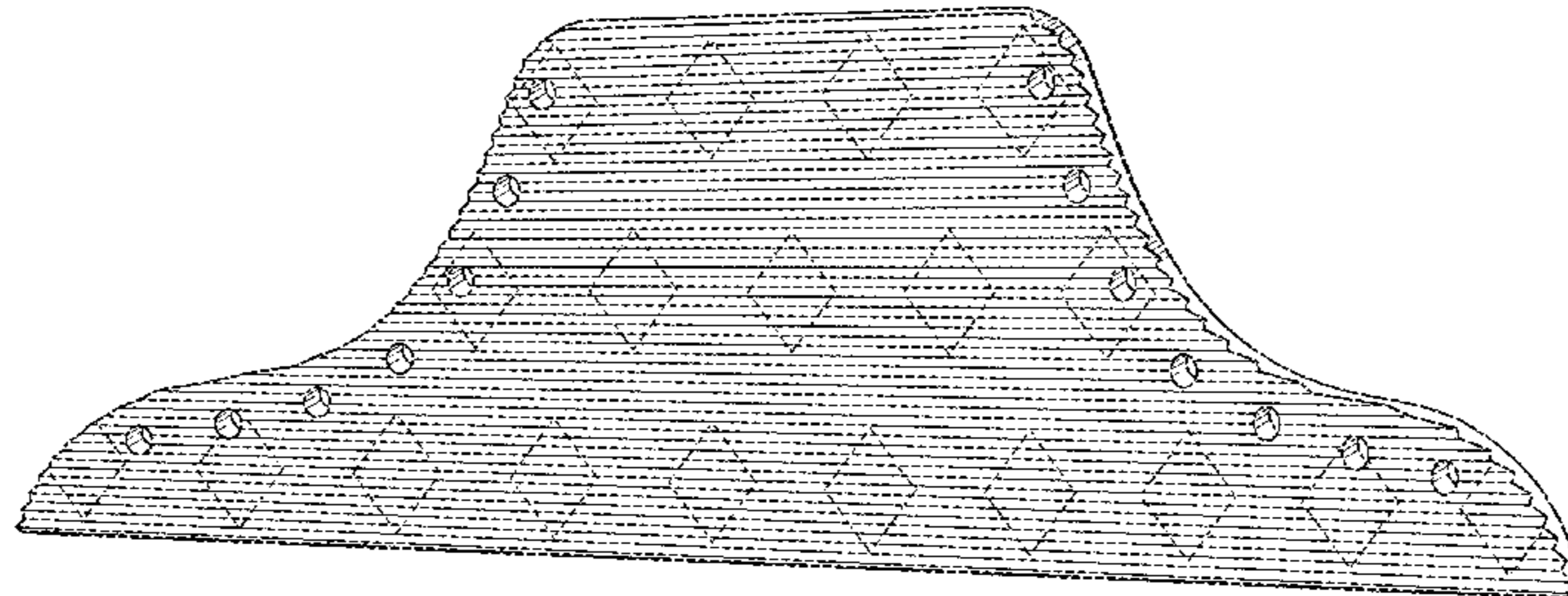
FIG. 13 is a rear edge view thereof;

FIG. 14 is a right edge view thereof;

FIG. 15 is a front edge view thereof; and,

FIG. 16 is a bottom view thereof.

1 Claim, 10 Drawing Sheets



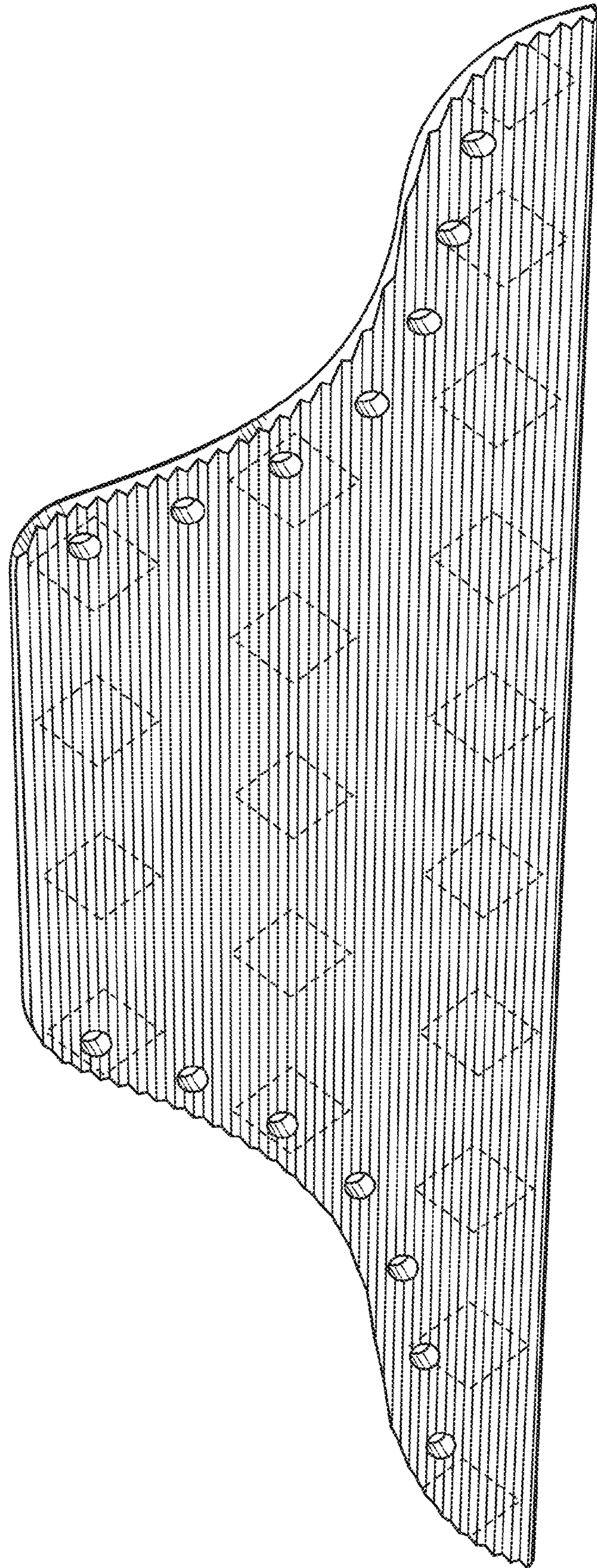


FIG. 1

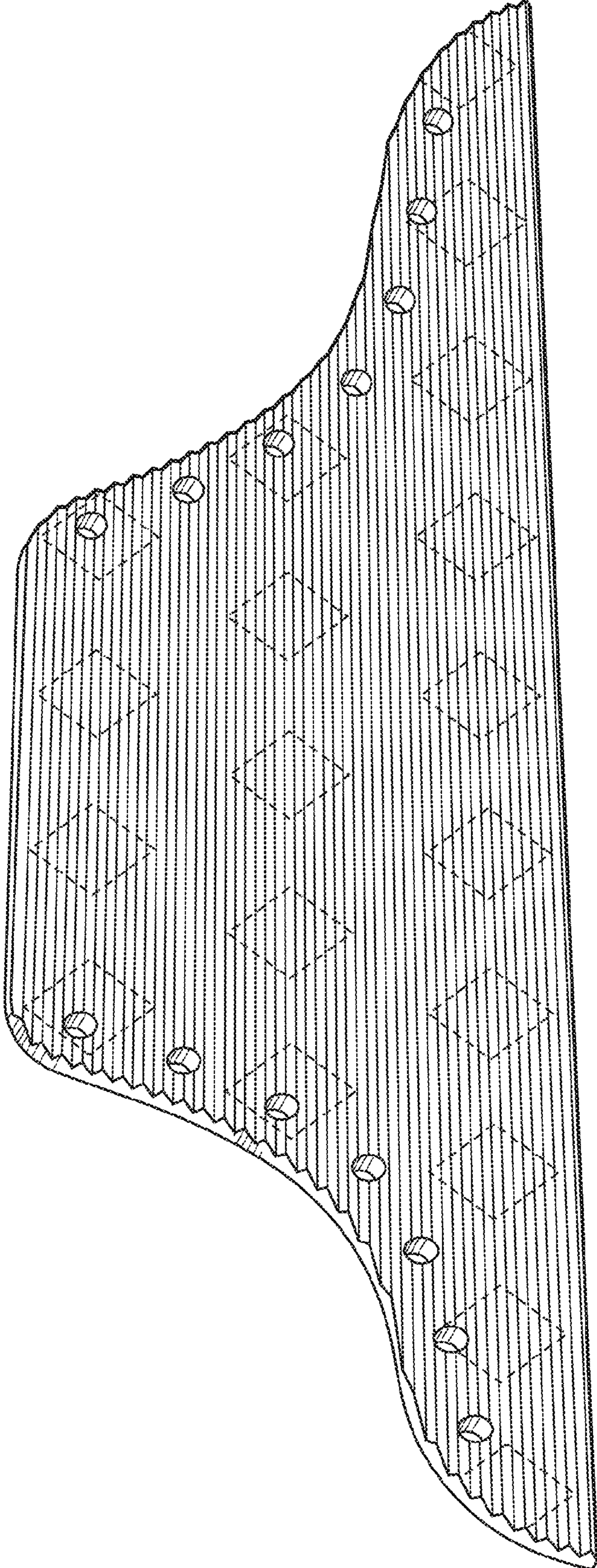


FIG. 2

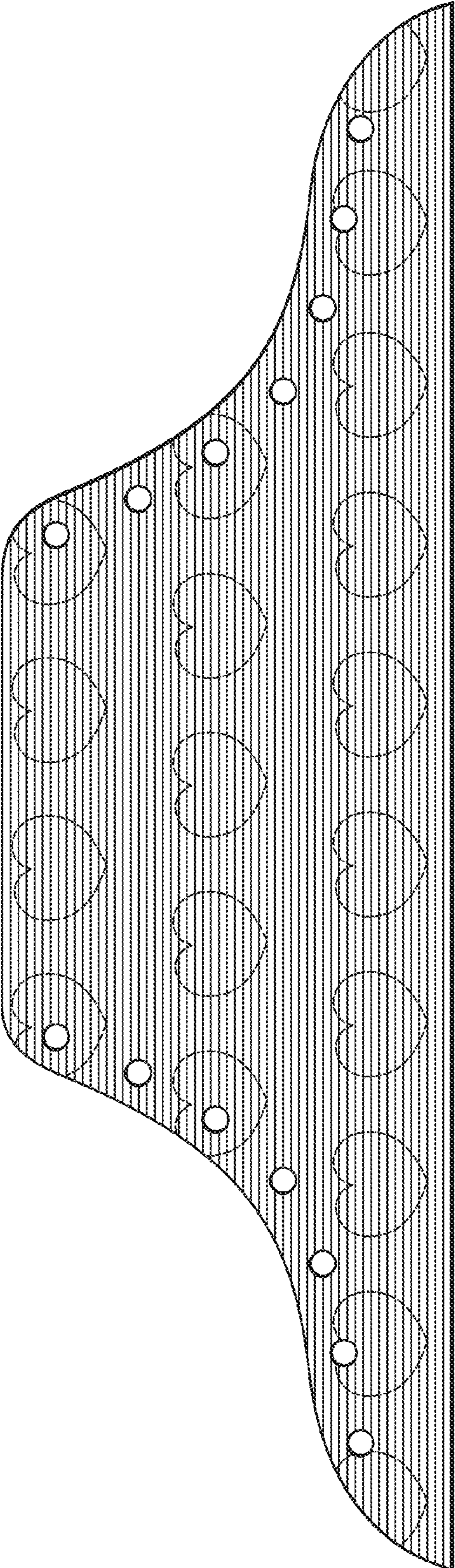


FIG. 3



FIG. 4 FIG. 6



FIG. 5



FIG. 7

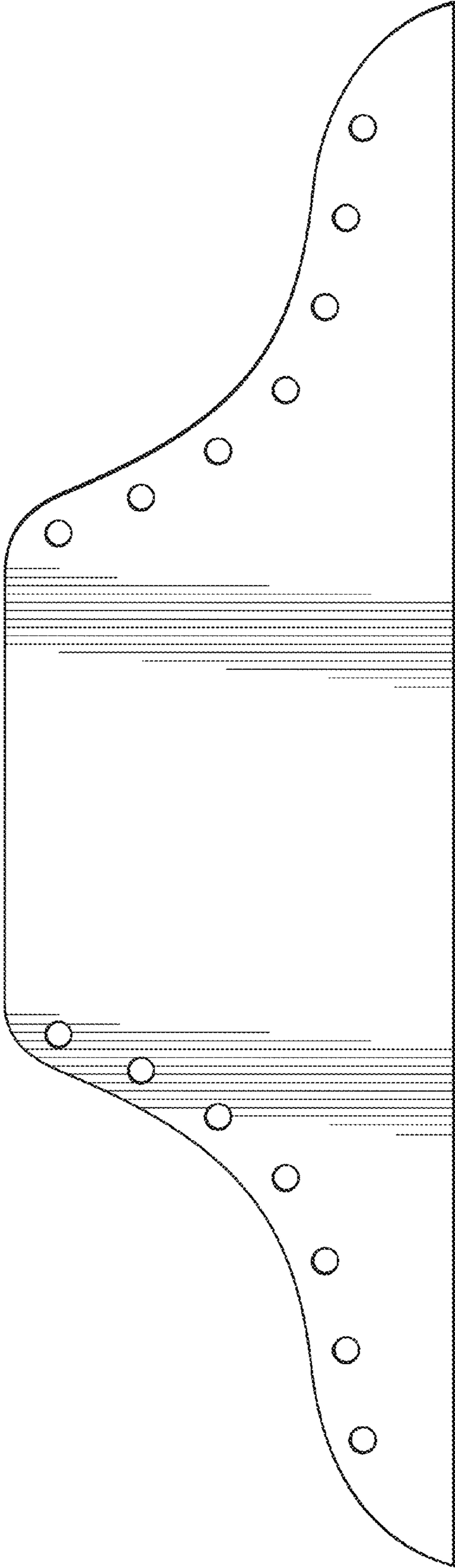


FIG. 8

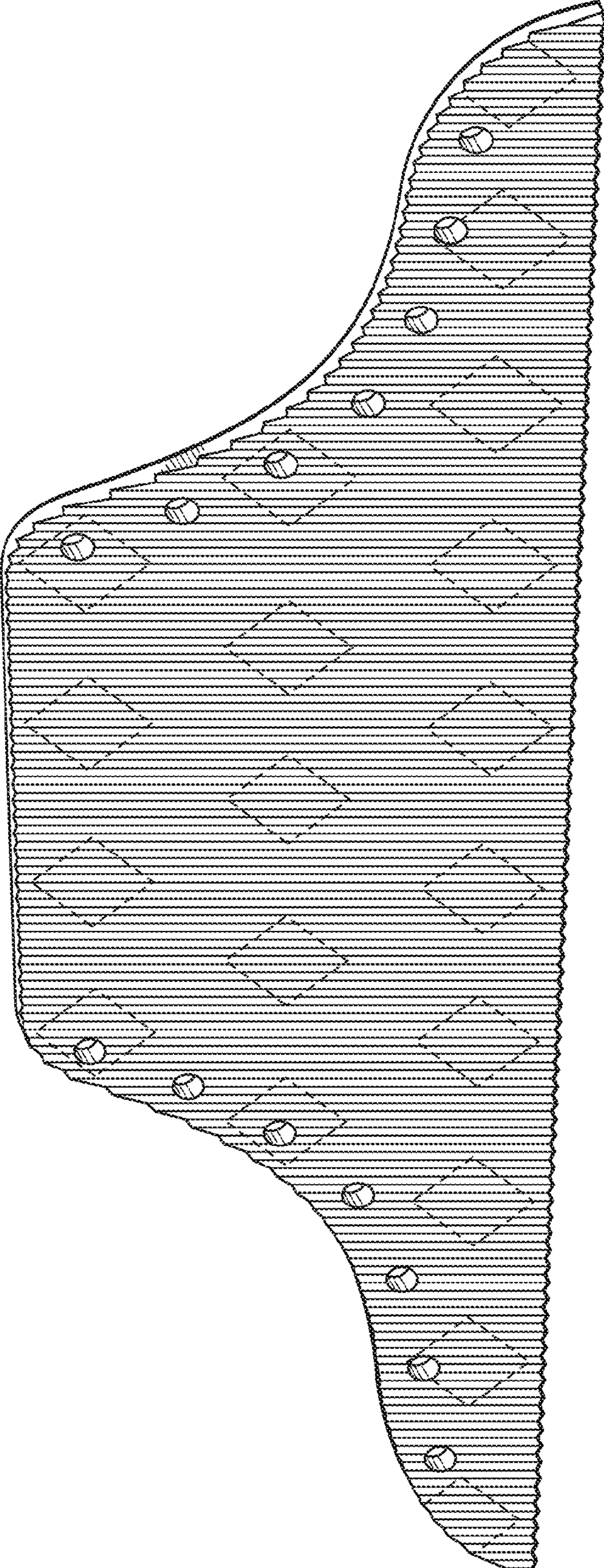


FIG. 9

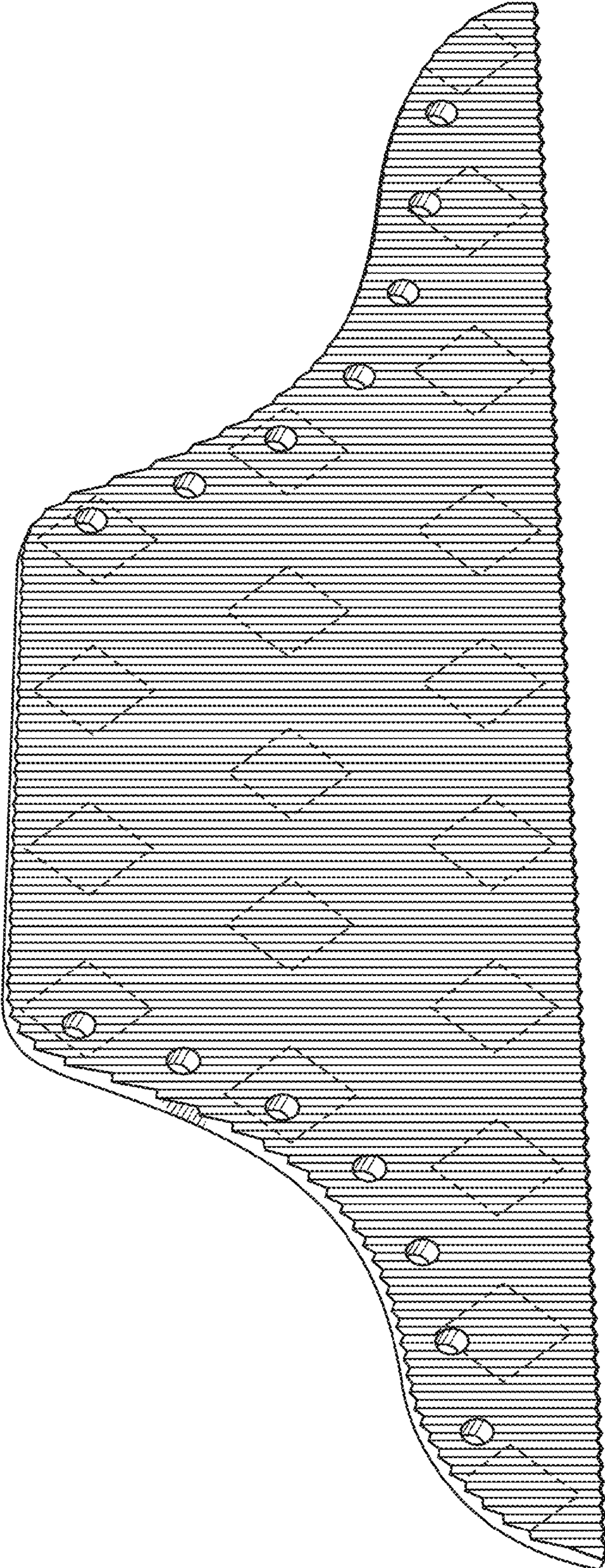


FIG. 10

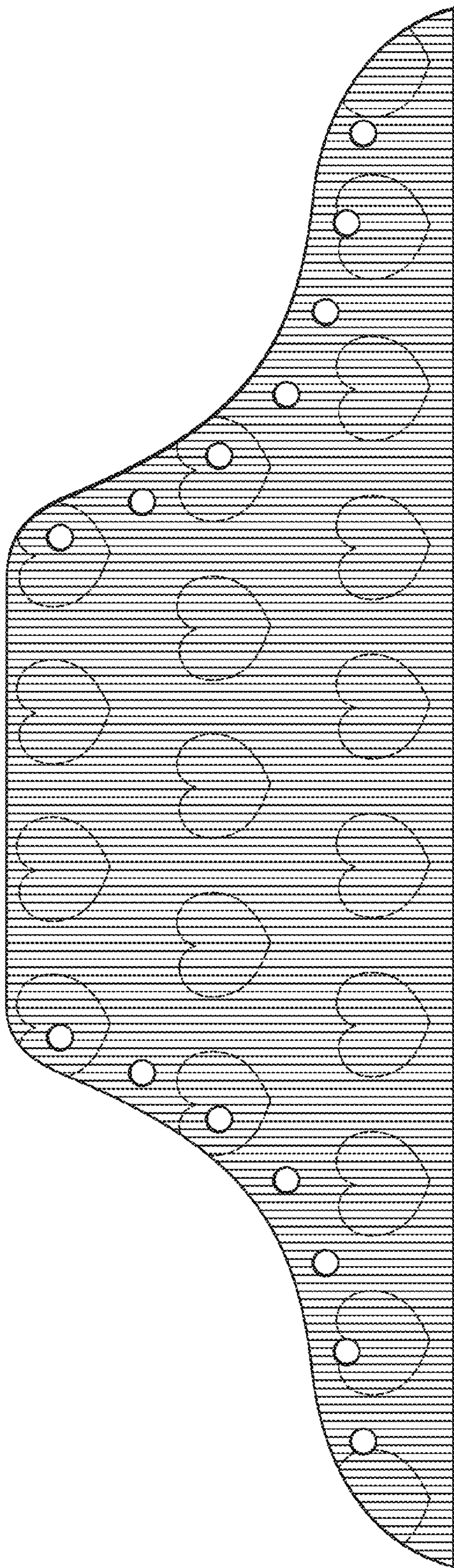


FIG. 11



FIG. 12 FIG. 14



FIG. 13



FIG. 15

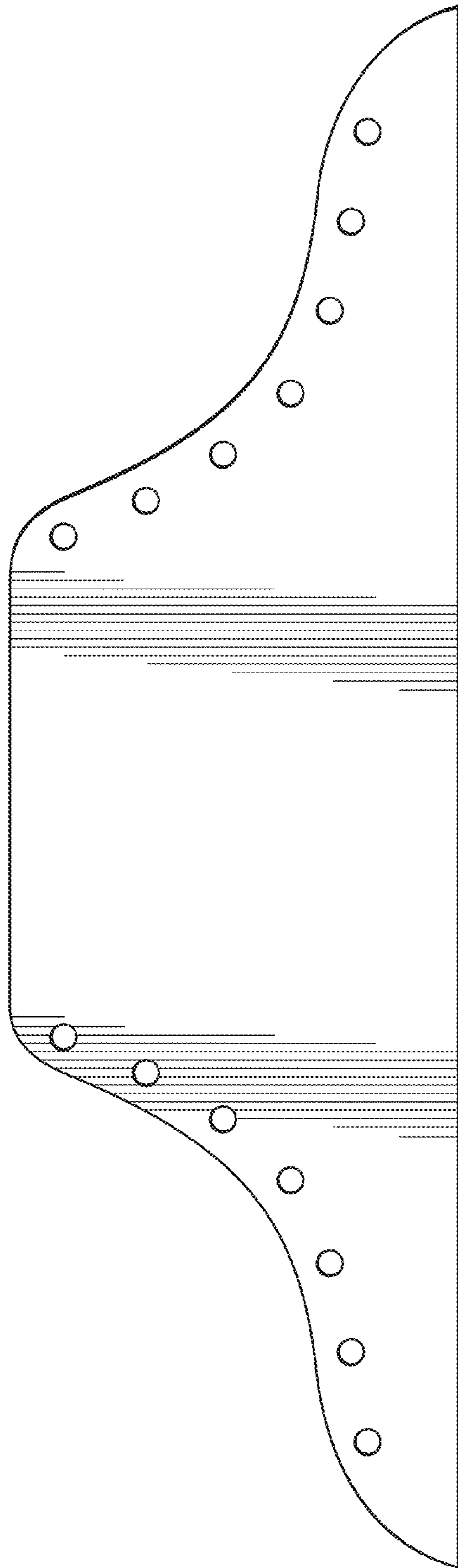


FIG. 16