



US00D717047S

(12) **United States Design Patent**
Shitrit et al.

(10) **Patent No.:** **US D717,047 S**

(45) **Date of Patent:** **** Nov. 11, 2014**

(54) **TOOL BOX**

(71) Applicant: **The Stanley Works Israel Ltd.**, Rosh Ha' Ayin (IL)

(72) Inventors: **Elad Hay Shitrit**, Tel Aviv (IL); **Omri Lifshitz**, Tel-Aviv (IL)

(73) Assignee: **The Stanley Works Isreal Ltd.**, Rosh Ha' Ayin (IL)

(**) Term: **14 Years**

(21) Appl. No.: **29/443,222**

(22) Filed: **Jan. 15, 2013**

(51) **LOC (10) Cl.** **03-01**

(52) **U.S. Cl.**
USPC **D3/276; D3/905**

(58) **Field of Classification Search**

CPC . B25H 3/02-3/028; B25H 3/00; B25H 3/003;
B25H 3/006

USPC D3/273, 276, 279-284, 288, 291, 292,
D3/293, 294, 295, 297, 905; 206/372-379;
220/4.01

See application file for complete search history.

(56) **References Cited**

U.S. PATENT DOCUMENTS

D639,054 S *	6/2011	Fraiman et al.	D3/276
D649,350 S *	11/2011	Shitrit	D3/281
D672,555 S *	12/2012	Shitrit	D3/281
2012/0080432 A1 *	4/2012	Bensman et al.	220/324

* cited by examiner

Primary Examiner — Jennifer Rivard

(74) *Attorney, Agent, or Firm* — Gabriel A. Haboubi

(57) **CLAIM**

The ornamental design for a tool box, as shown and described.

DESCRIPTION

FIG. 1 is a left front perspective view of our new design.

FIG. 2 is a left side view thereof.

FIG. 3 is a right side view thereof.

FIG. 4 is a front view thereof.

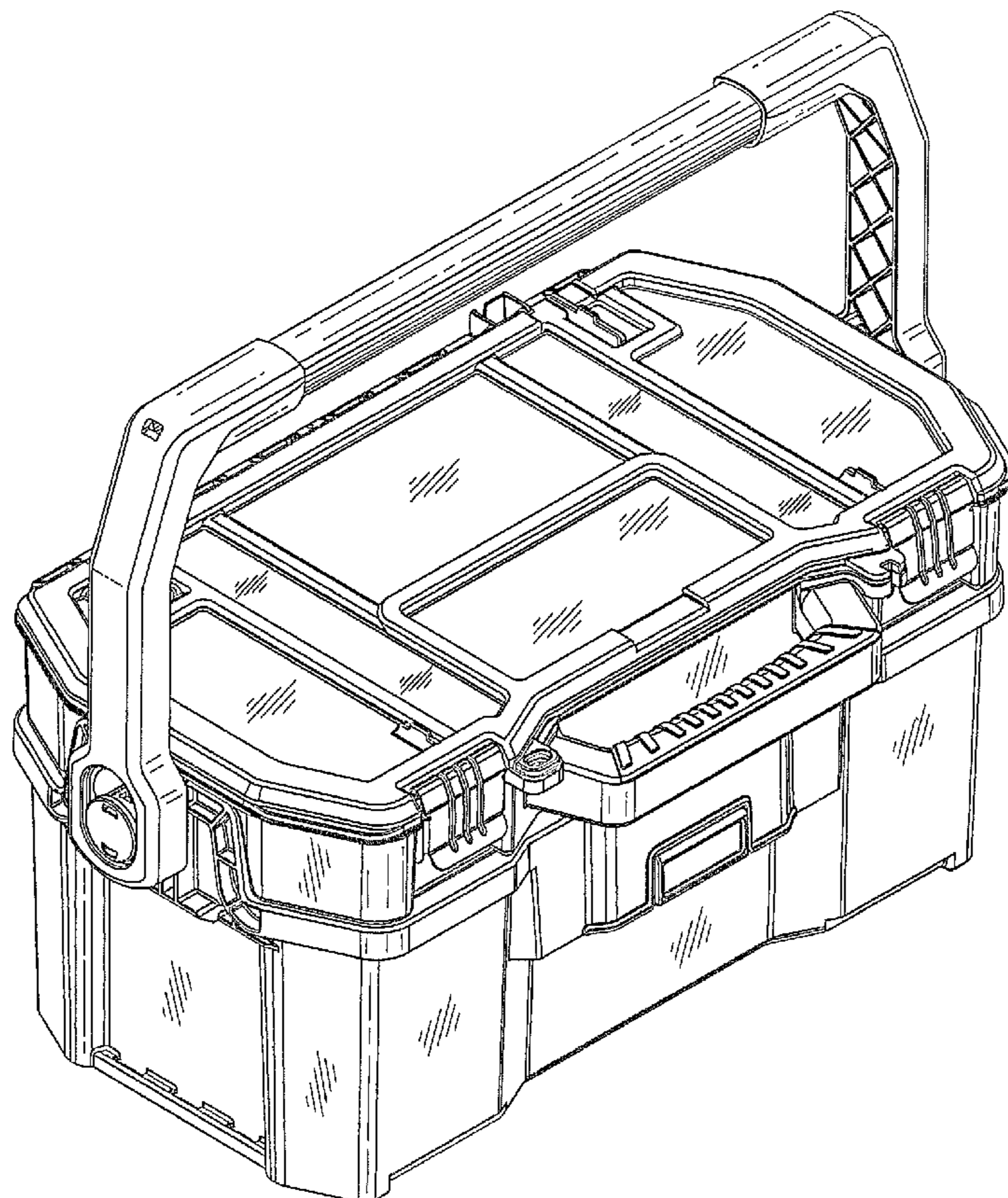
FIG. 5 is a rear side view thereof.

FIG. 6 is a top view thereof; and,

FIG. 7 is a bottom view thereof.

The broken lines illustrate portions of the tool box and form no part of the claimed design.

1 Claim, 7 Drawing Sheets



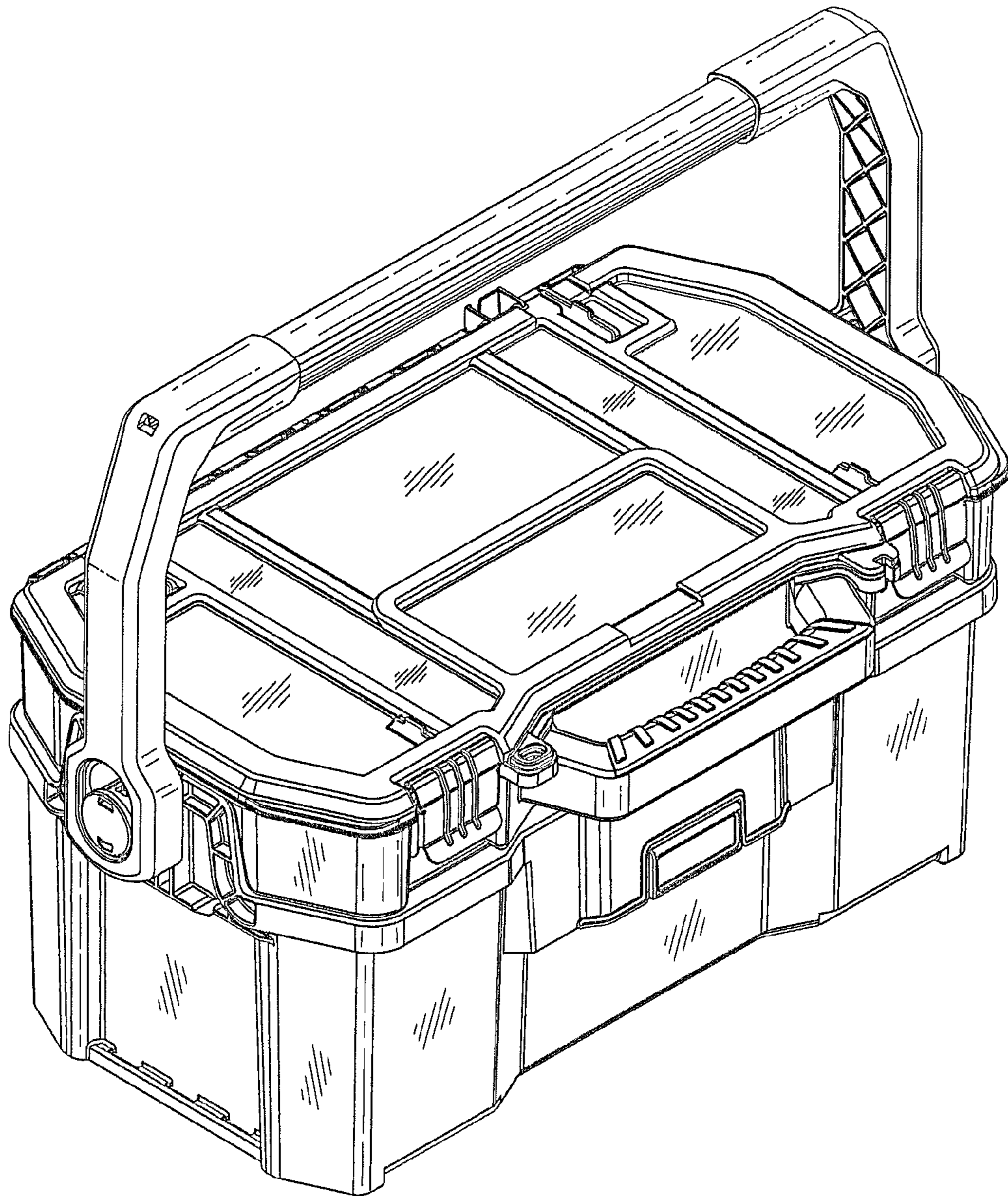


FIG.1

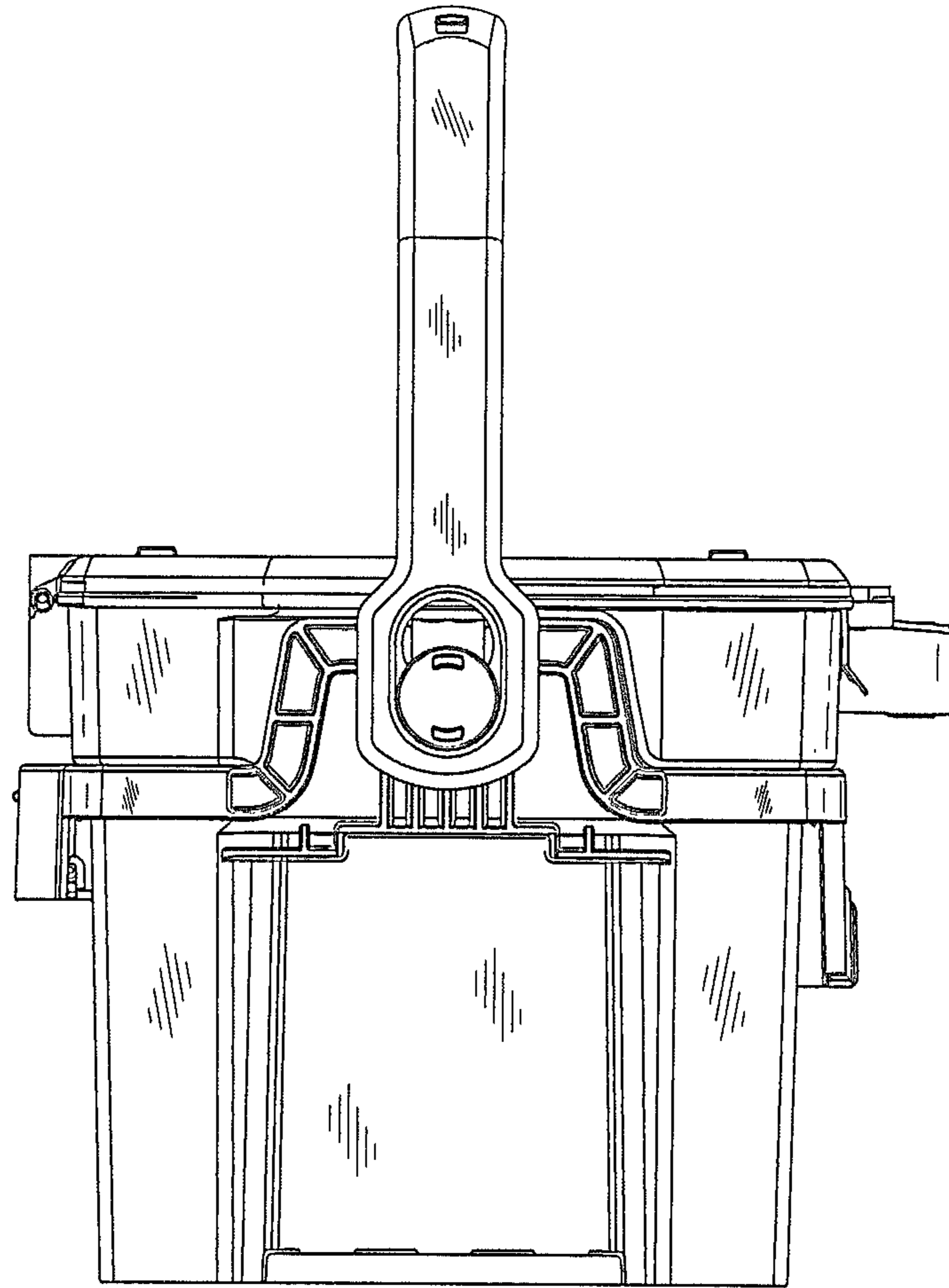


FIG.2

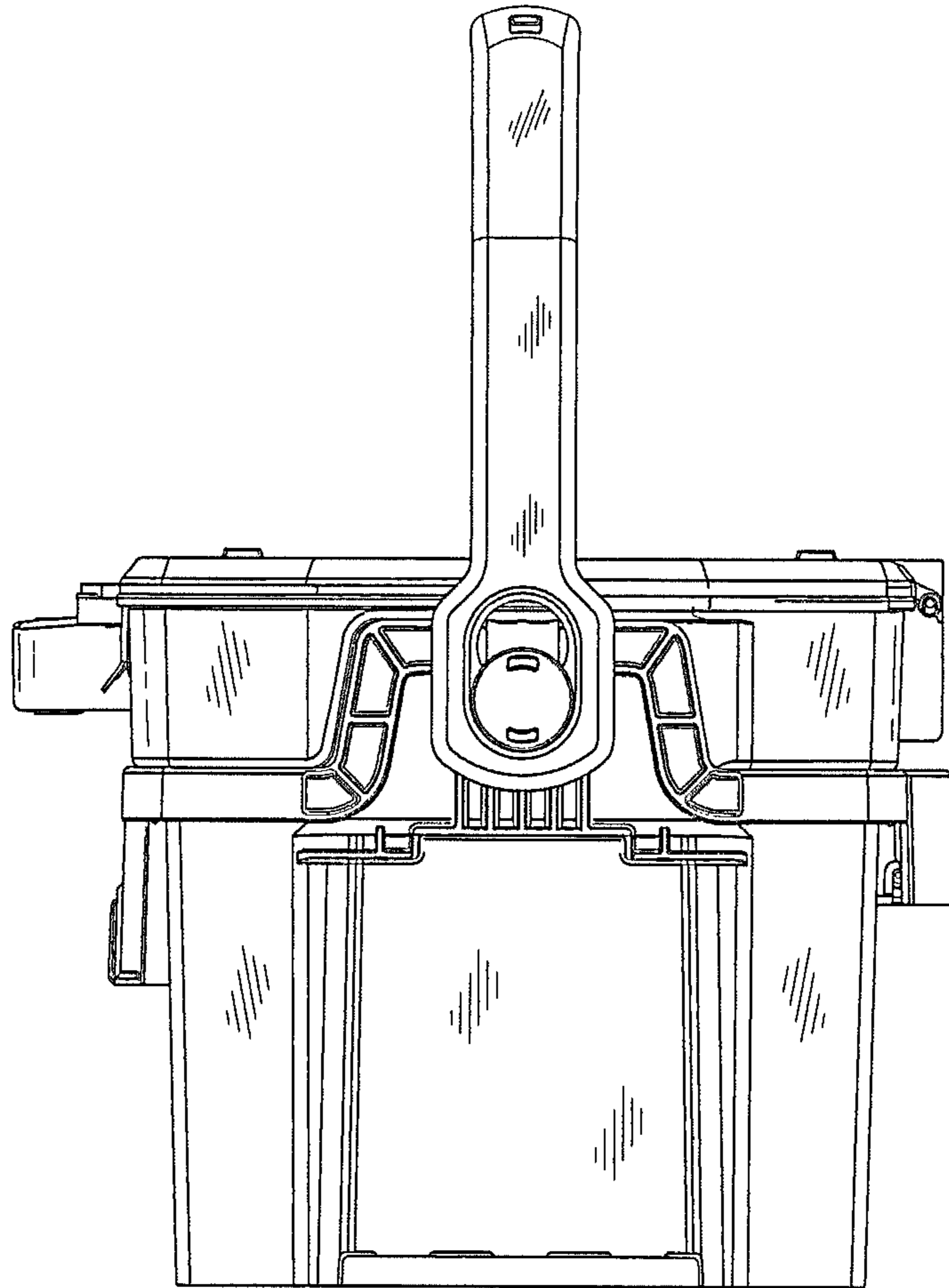


FIG.3

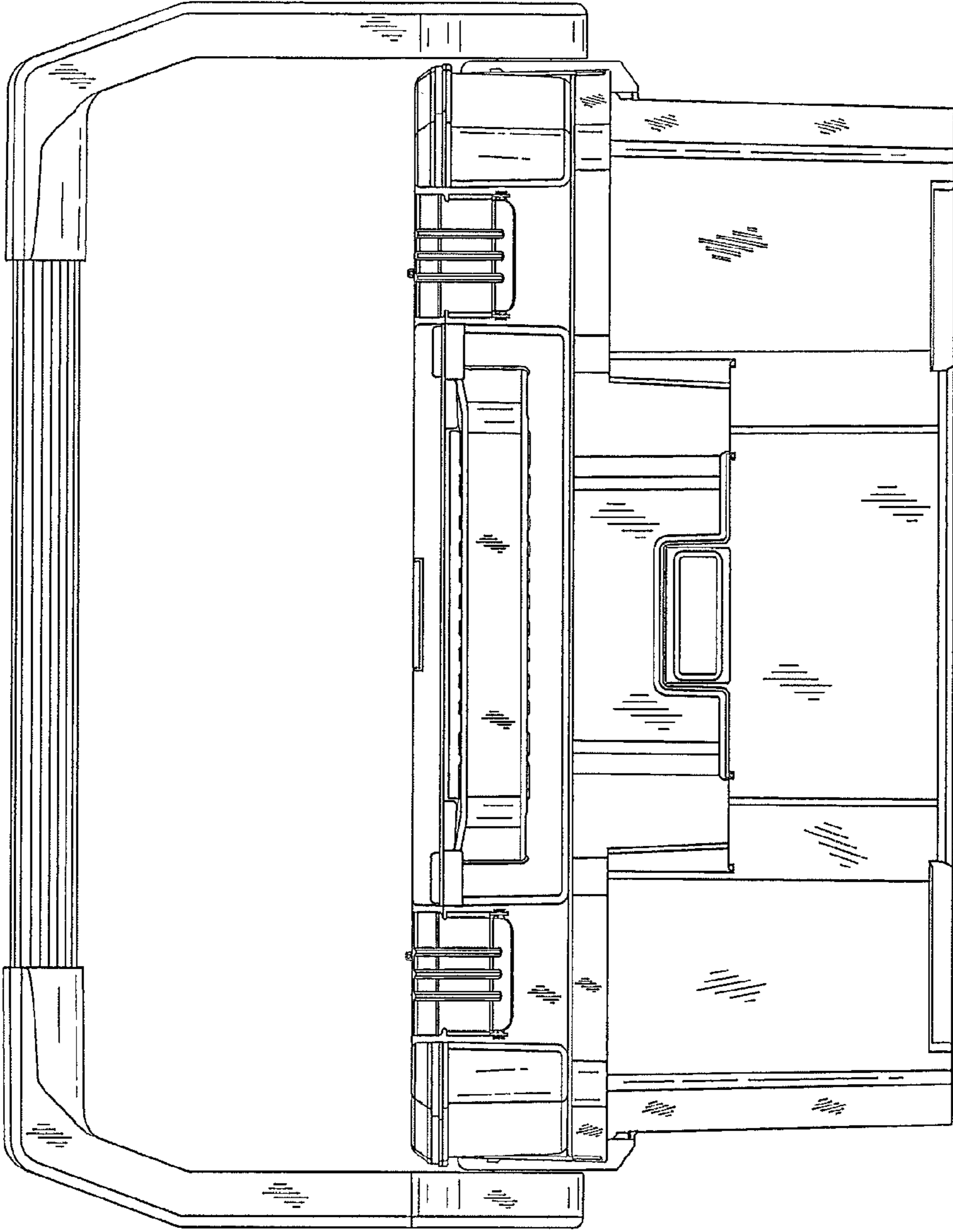


FIG.4

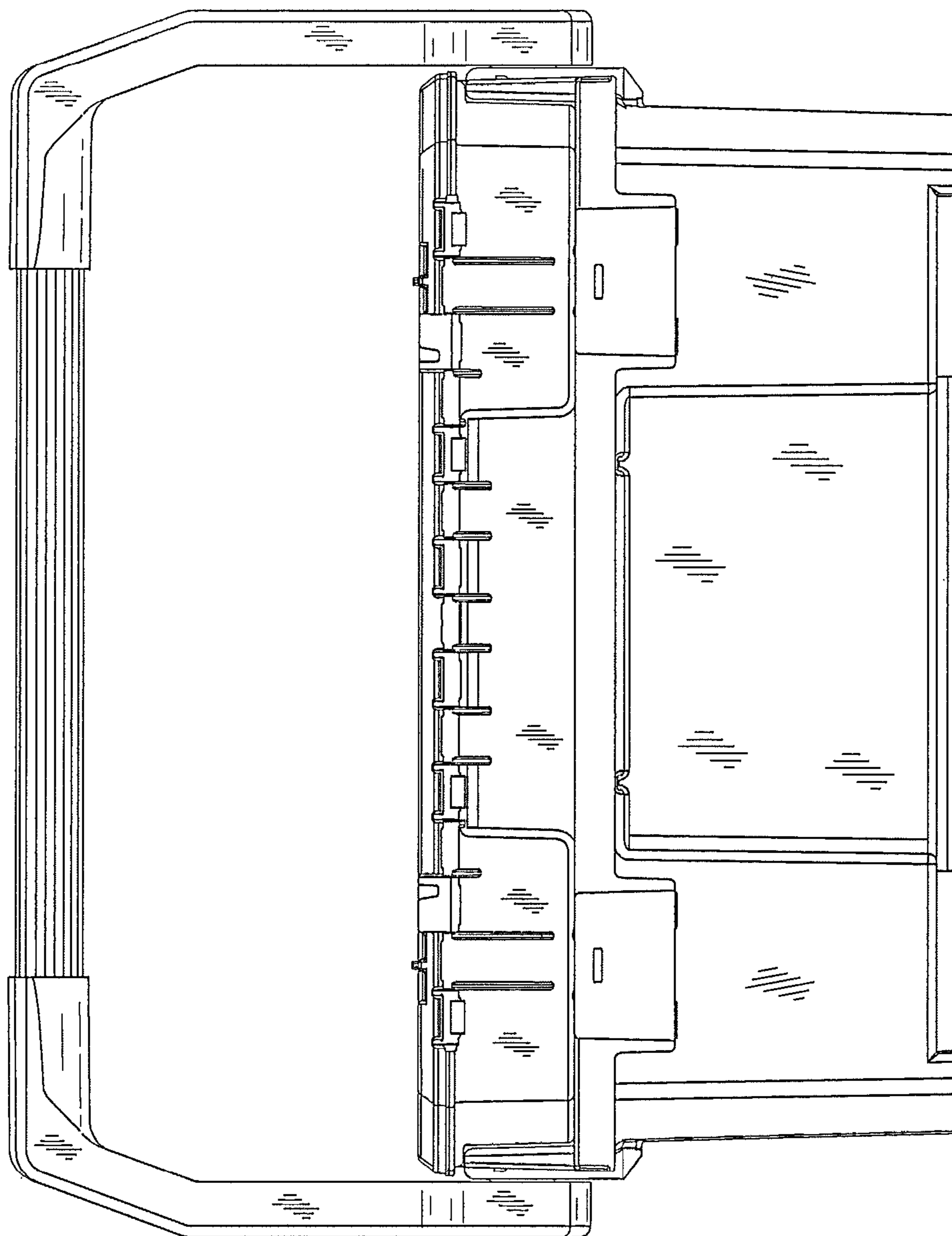


FIG.5

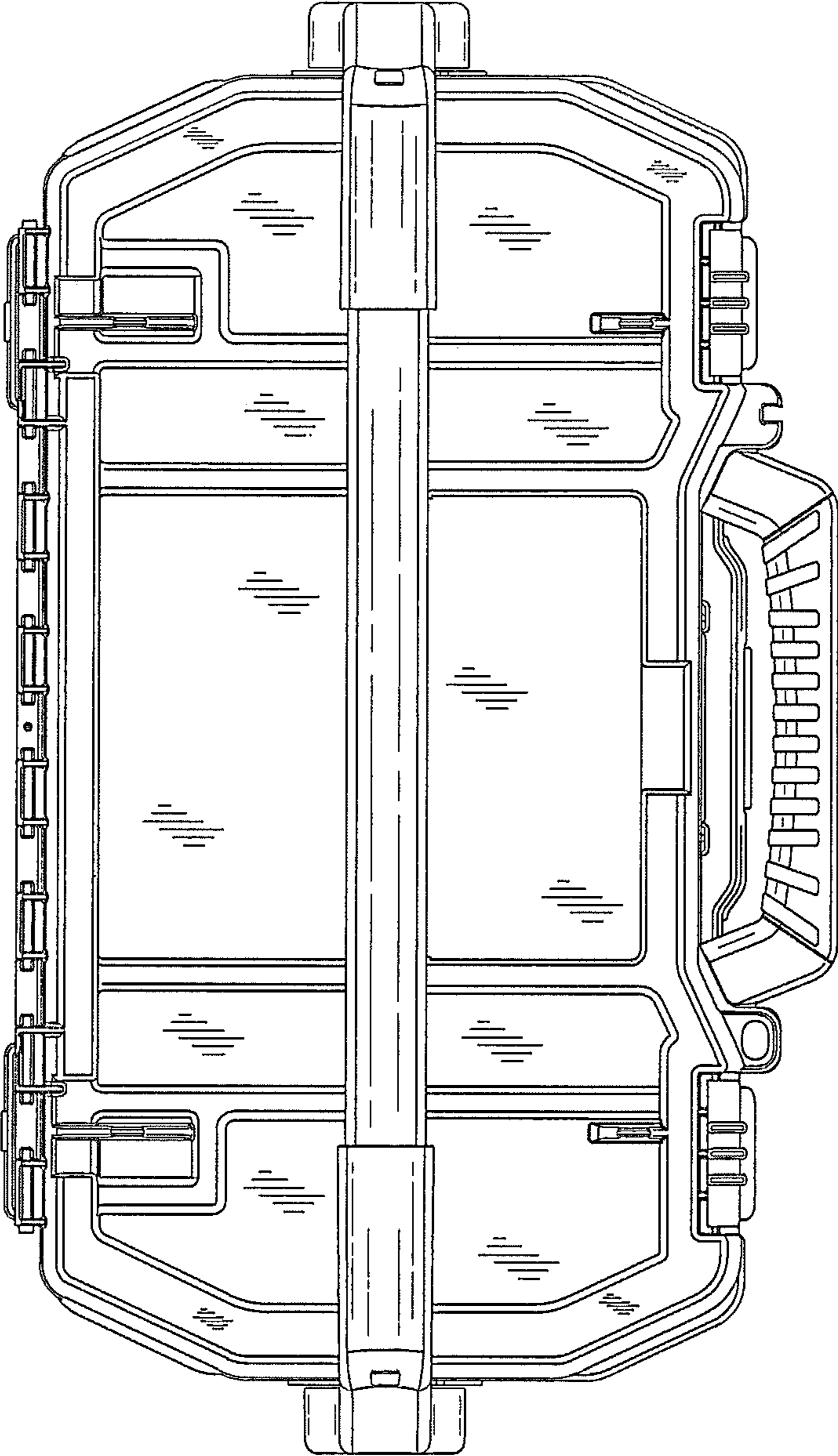


FIG.6

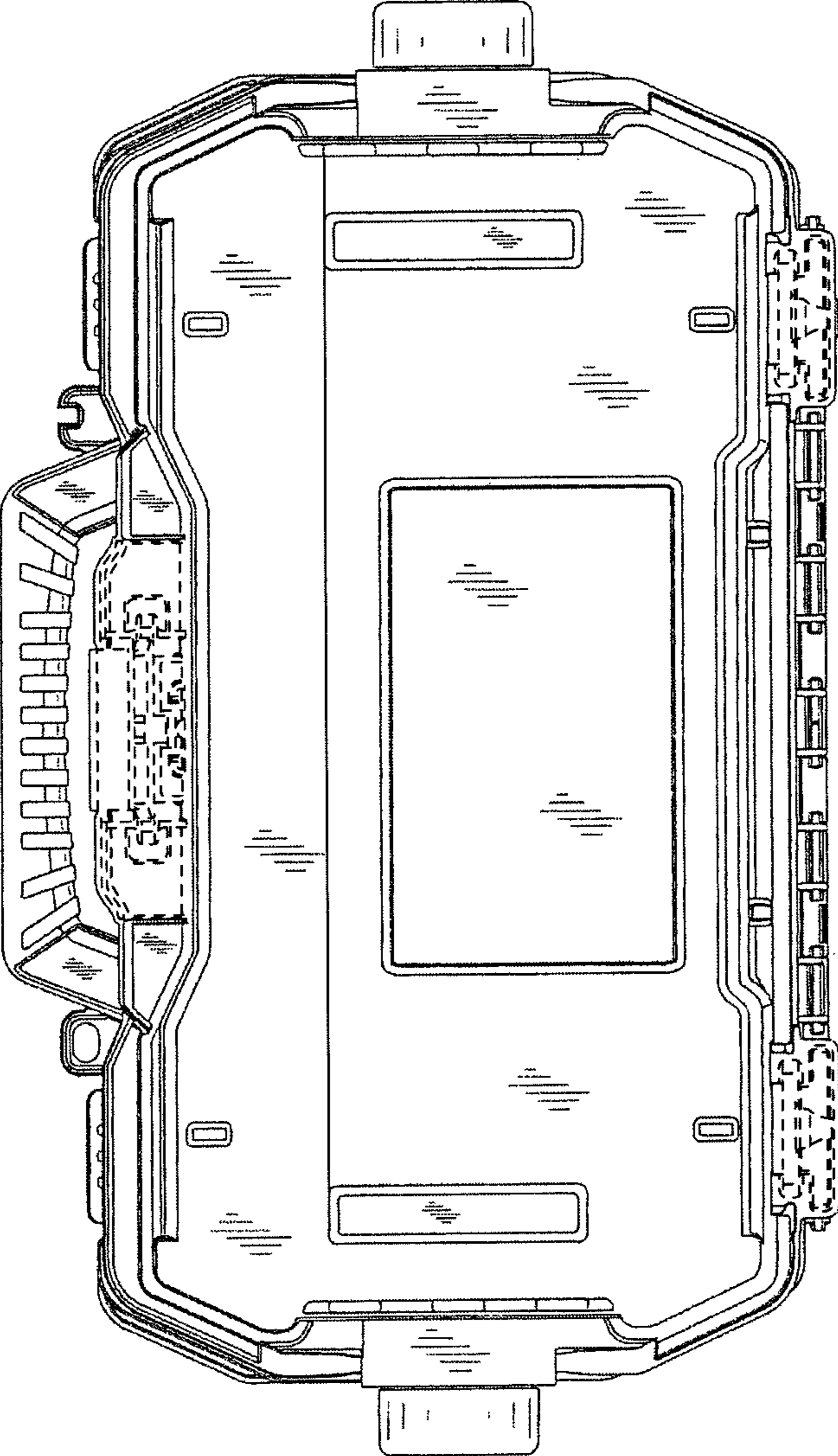


FIG.7