



US00D717040S

(12) **United States Design Patent**
Swartzel et al.

(10) **Patent No.:** **US D717,040 S**

(45) **Date of Patent:** **** Nov. 11, 2014**

(54) **UTILITY TOTE**

(71) Applicants: **Elizabeth Ann Swartzel**, Columbus, OH (US); **Katherine Lynn Lindamond**, New Albany, OH (US)

(72) Inventors: **Elizabeth Ann Swartzel**, Columbus, OH (US); **Katherine Lynn Lindamond**, New Albany, OH (US)

(73) Assignee: **Thirty-One Gifts LLC**, Columbus, OH (US)

(**) Term: **14 Years**

(21) Appl. No.: **29/466,841**

(22) Filed: **Sep. 12, 2013**

(51) **LOC (10) Cl.** **03-01**

(52) **U.S. Cl.**

USPC **D3/232**

(58) **Field of Classification Search**

CPC A45C 1/024; A45C 3/06

USPC D3/232-233, 240-243, 245-246; 150/100, 103-110, 113-114, 117-119

See application file for complete search history.

(56) **References Cited**

U.S. PATENT DOCUMENTS

D596,396 S * 7/2009 McCoy et al. D3/232
D630,013 S * 1/2011 Yu D3/232

D630,844 S * 1/2011 Wang et al. D3/232
D630,845 S * 1/2011 Guichot D3/232
D632,074 S * 2/2011 Chan et al. D3/232
D641,157 S * 7/2011 Steele D3/232
D641,549 S * 7/2011 Caldwell D3/232
D670,906 S * 11/2012 Du D3/243
D688,449 S * 8/2013 Schinasi D3/232

* cited by examiner

Primary Examiner — Holly Baynham

(74) *Attorney, Agent, or Firm* — Porter, Wright, Morris & Arthur, LLP

(57) **CLAIM**

The ornamental design for a utility tote, as shown and described.

DESCRIPTION

FIG. 1 is a front perspective view of a utility tote according to our new design;

FIG. 2 is a rear view thereof;

FIG. 3 is a front view thereof;

FIG. 4 is a top view thereof;

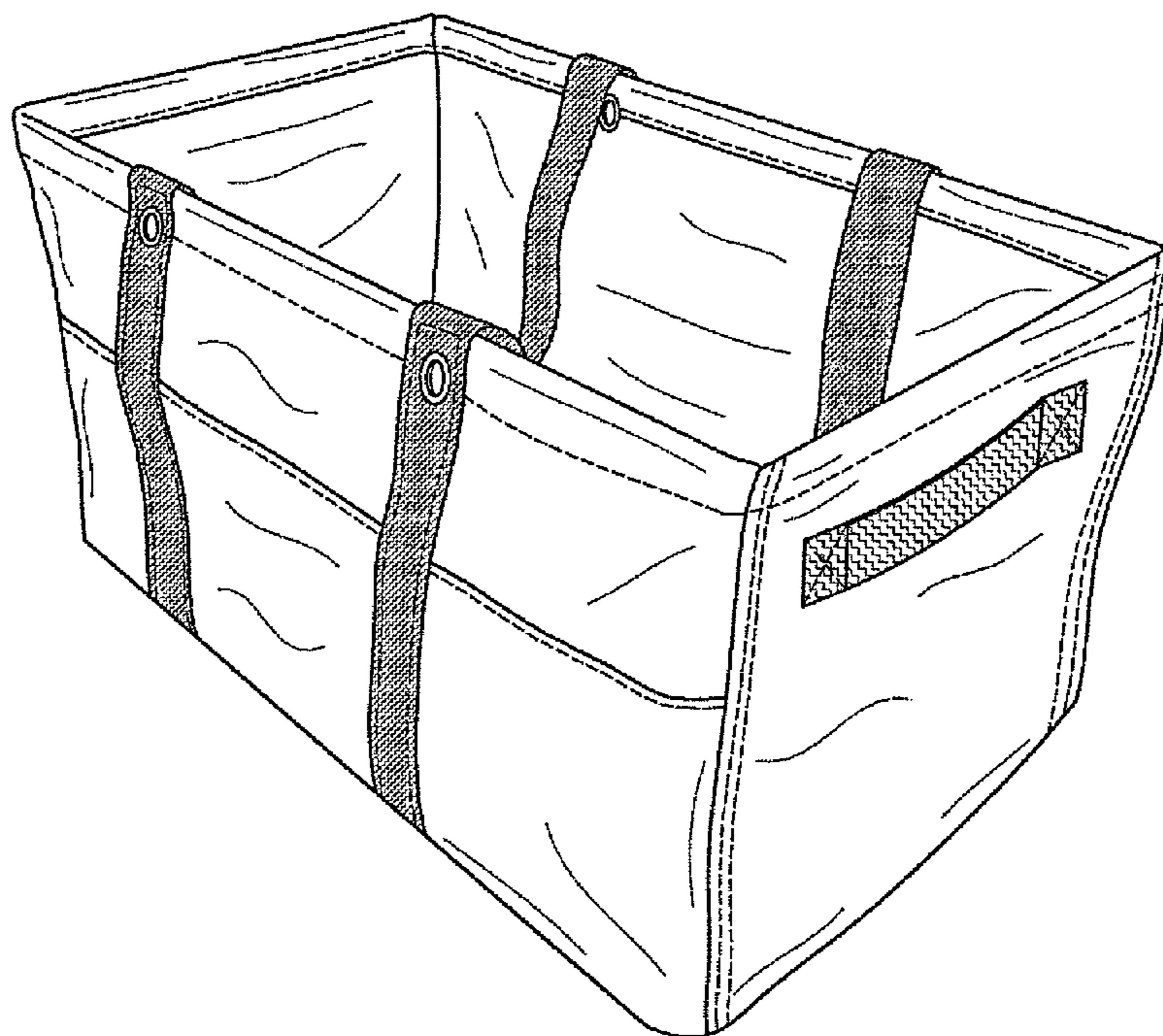
FIG. 5 is a bottom view thereof;

FIG. 6 is a right side view thereof; and,

FIG. 7 is a left side view thereof.

The broken lines in the figures indicate stitching and form a part of the claimed design.

1 Claim, 4 Drawing Sheets



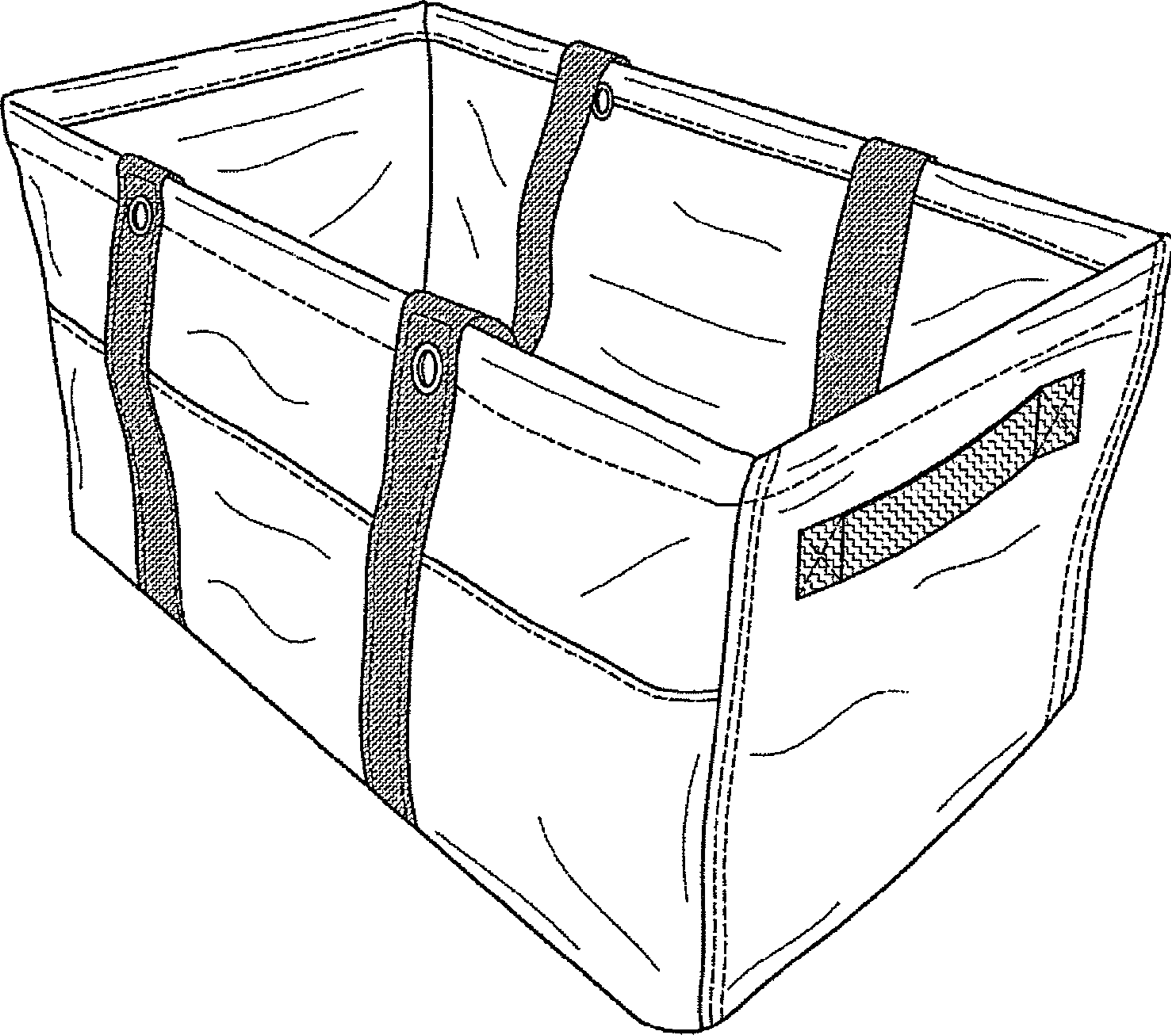


FIG. 1

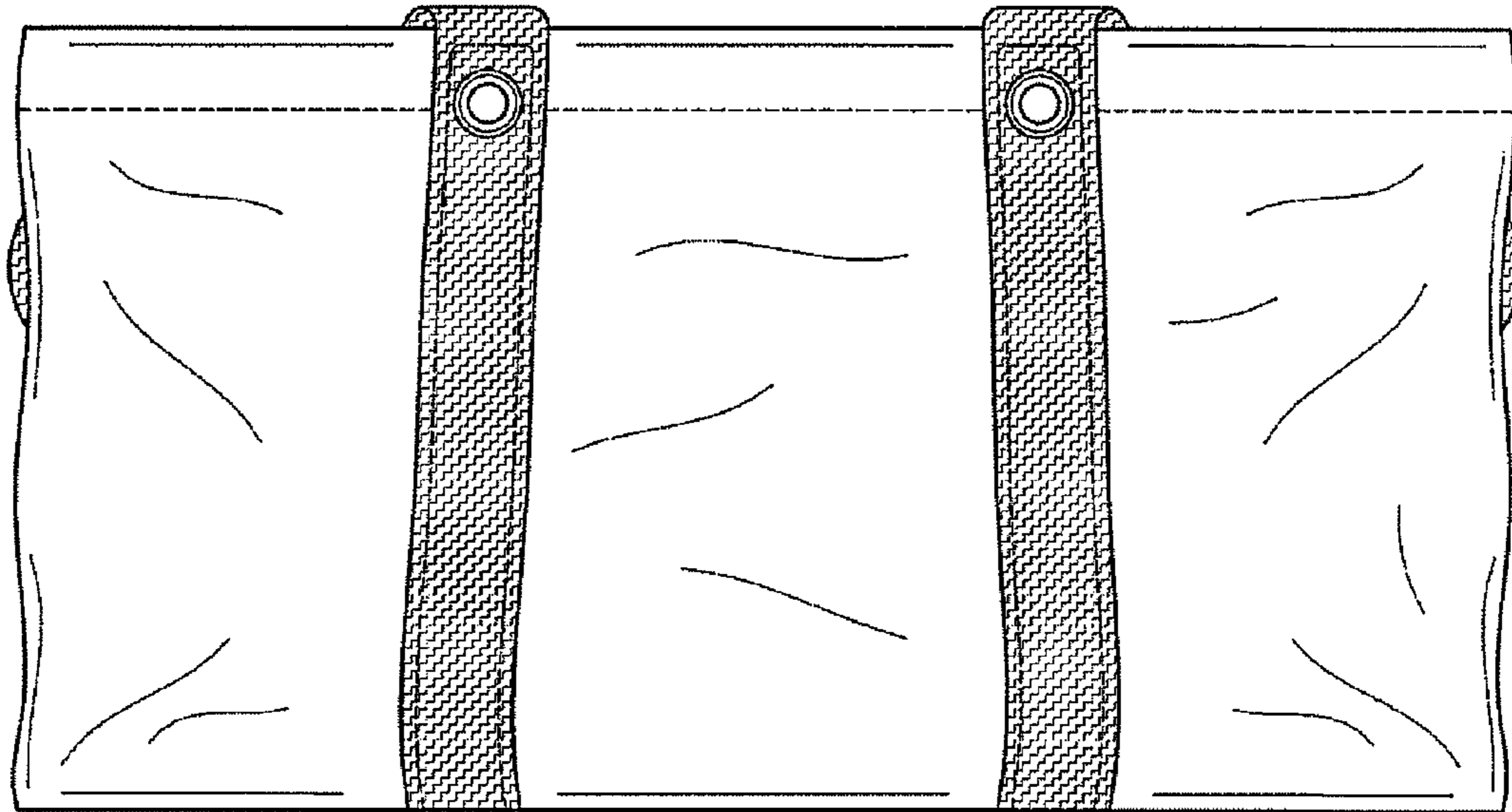


FIG. 2

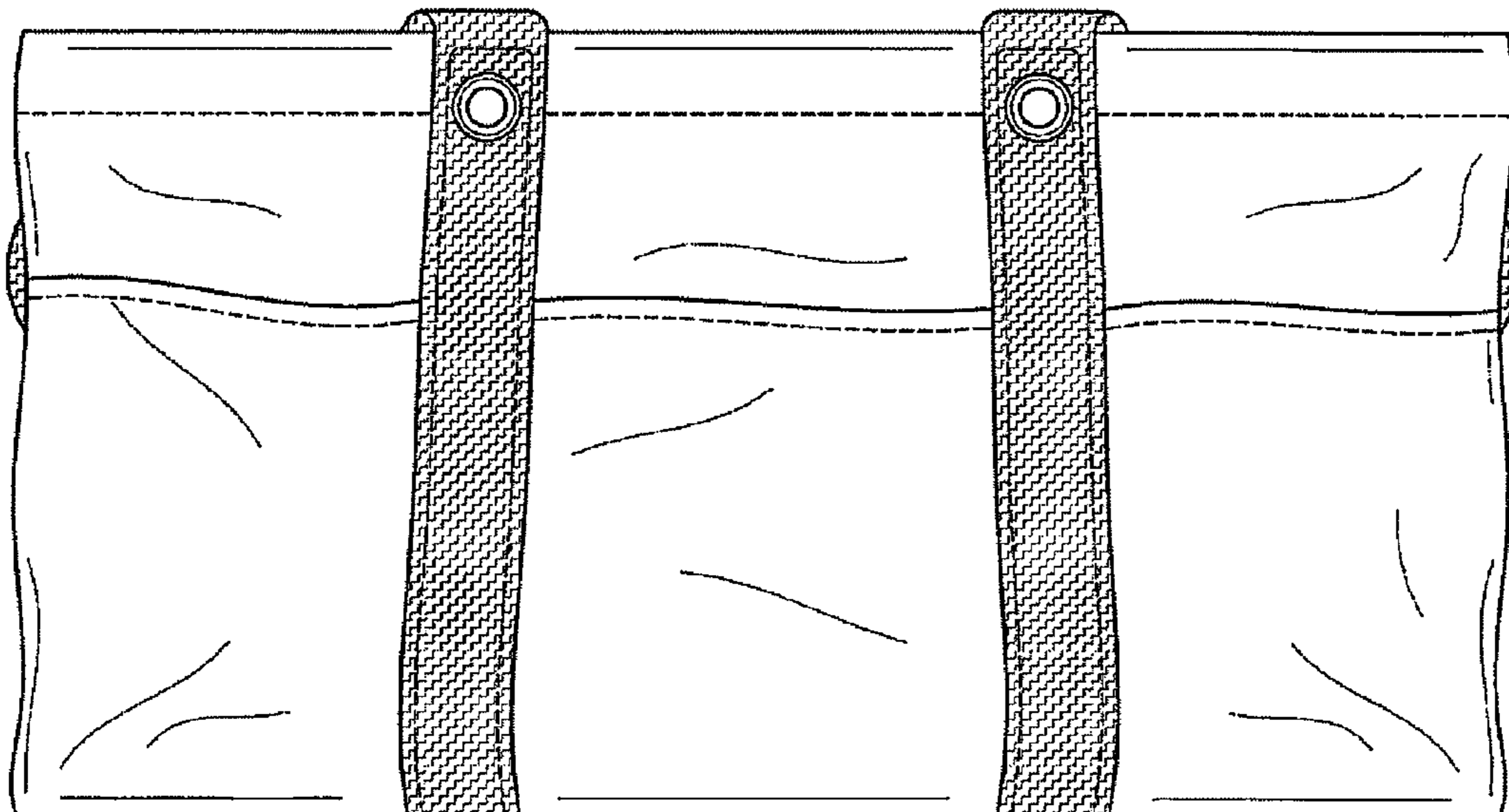


FIG. 3

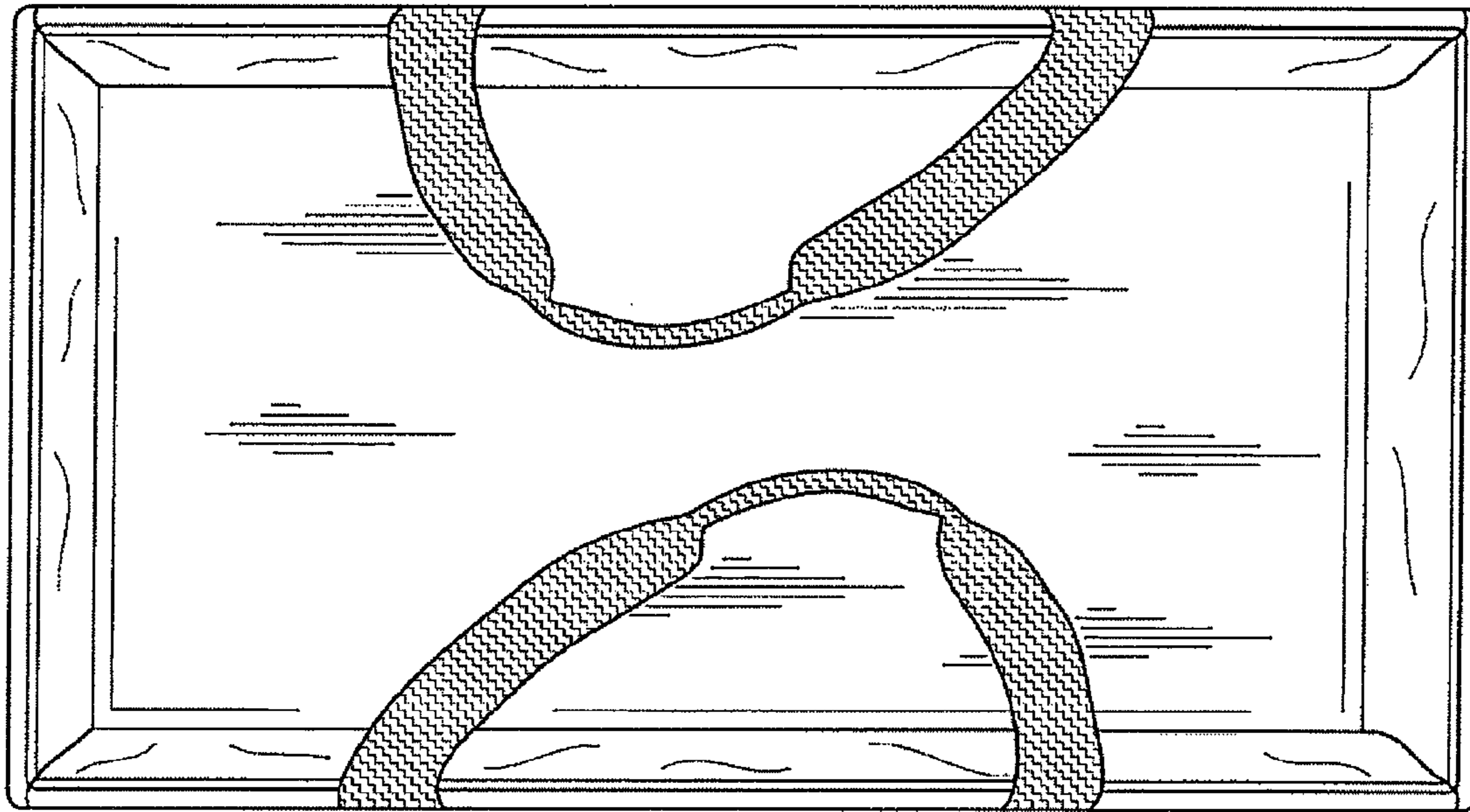


FIG. 4

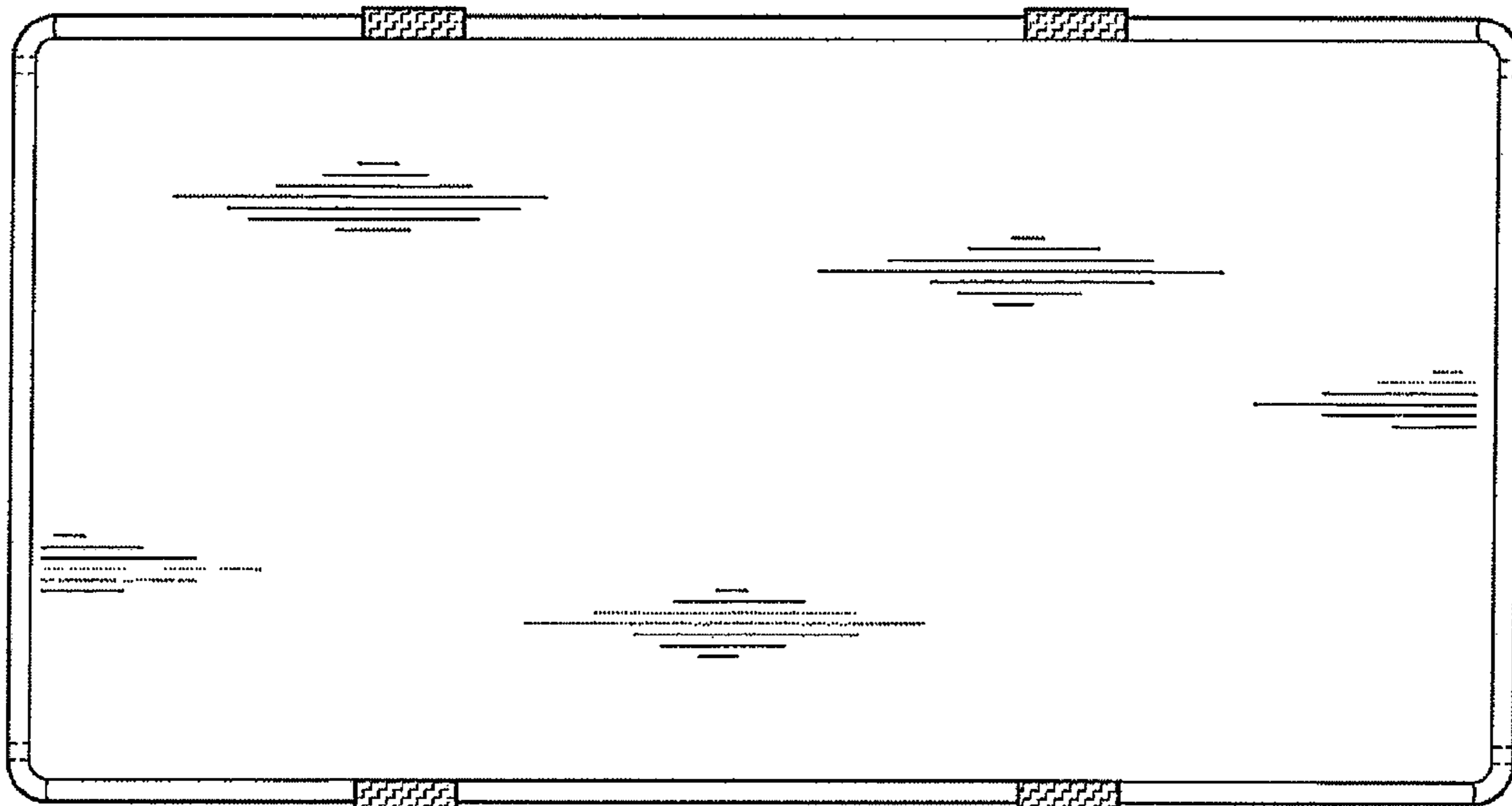


FIG. 5

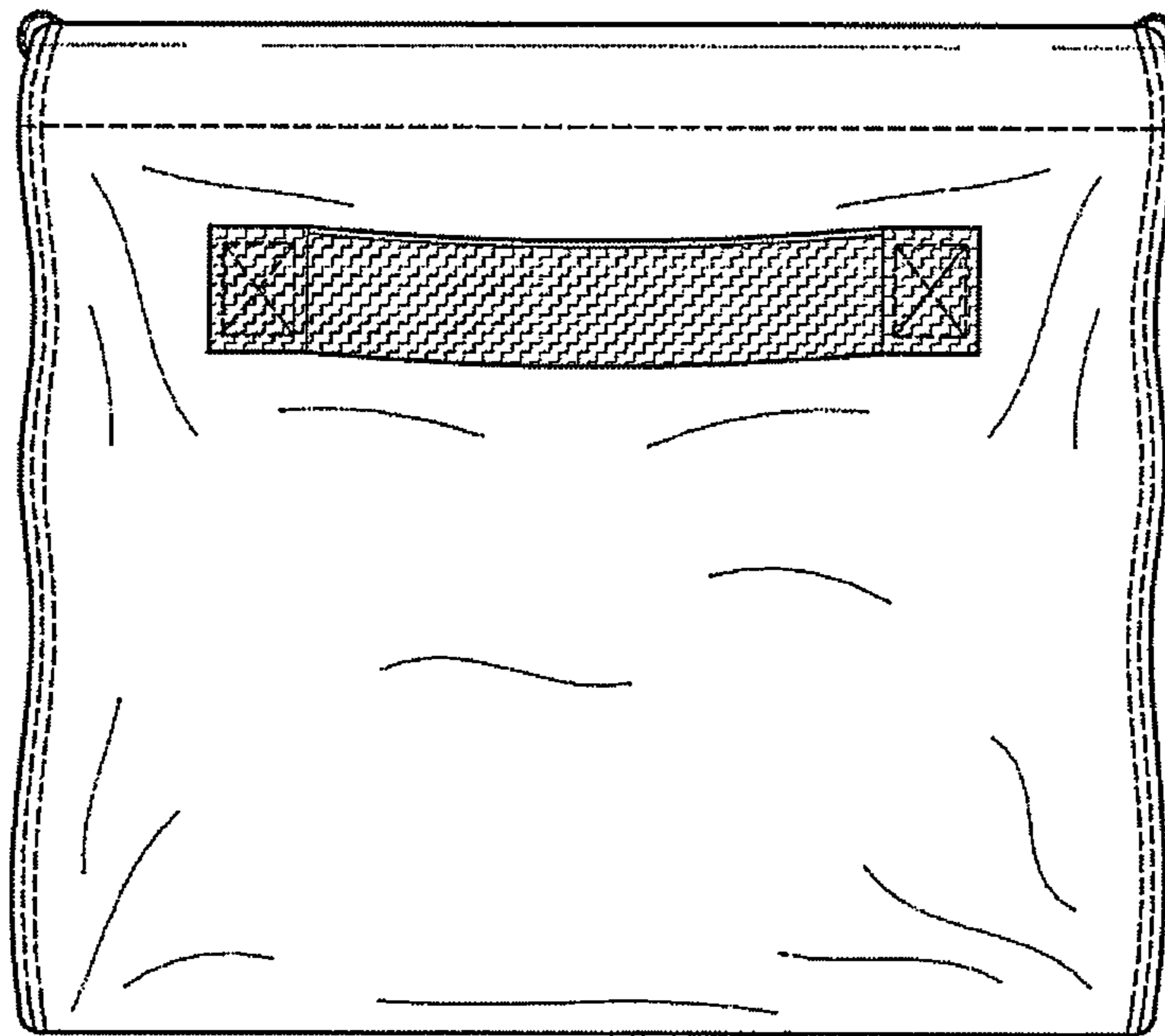


FIG. 6

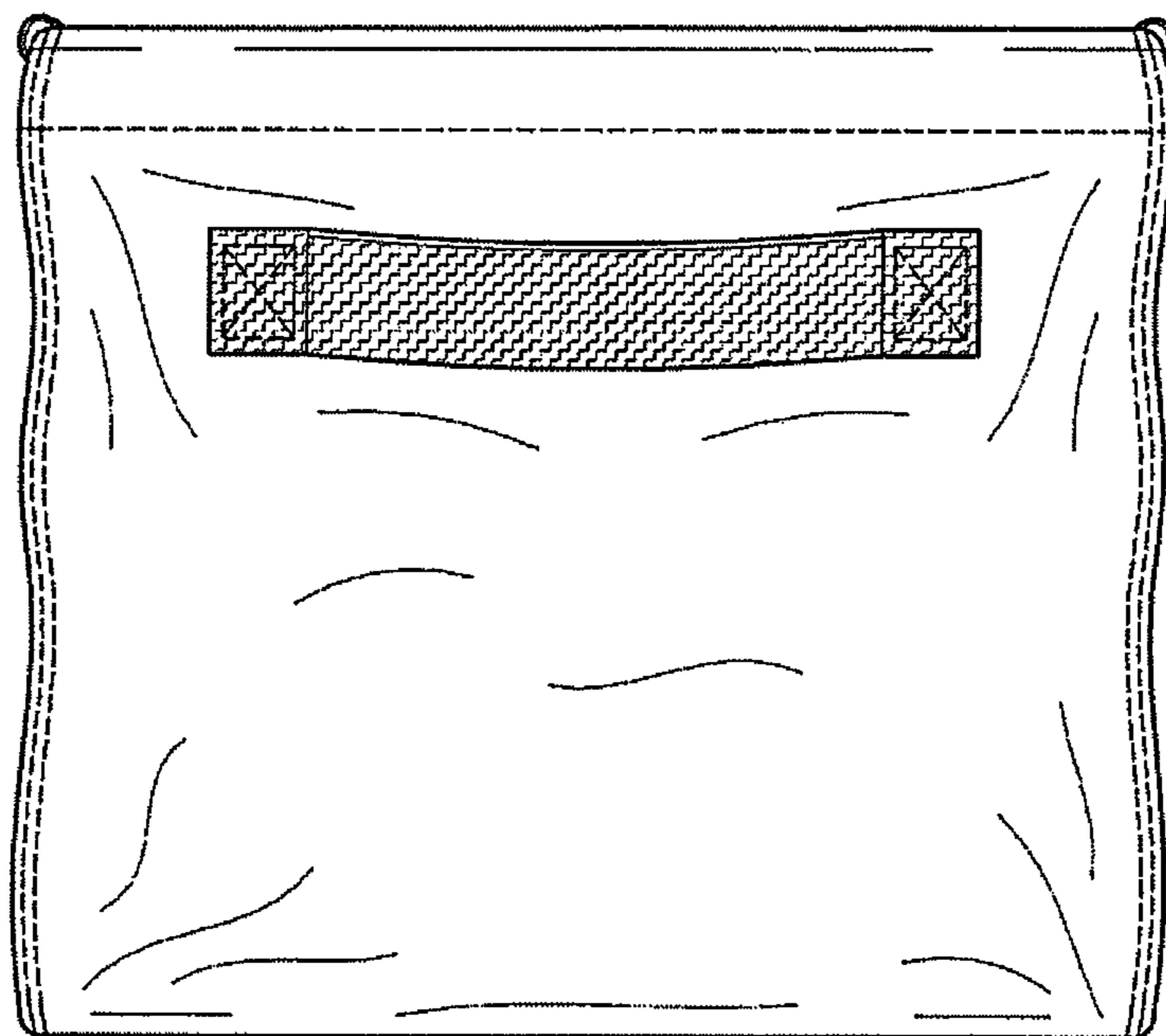


FIG. 7