



US00D717038S

(12) **United States Design Patent**  
**Lee**

(10) **Patent No.:** **US D717,038 S**

(45) **Date of Patent:** **\*\* Nov. 11, 2014**

(54) **PILL BOX**

(71) Applicant: **Ming-Kun Lee**, Taipei (TW)

(72) Inventor: **Ming-Kun Lee**, Taipei (TW)

(\*\*) Term: **14 Years**

(21) Appl. No.: **29/469,036**

(22) Filed: **Dec. 2, 2013**

(51) **LOC (10) Cl.** ..... **03-01**

(52) **U.S. Cl.**  
USPC ..... **D3/203.3**

(58) **Field of Classification Search**  
USPC ..... D3/201–205; D9/731–736;  
206/532–540; D24/226  
See application file for complete search history.

(56) **References Cited**

**U.S. PATENT DOCUMENTS**

4,164,301	A *	8/1979	Thayer	.....	206/534
4,261,468	A *	4/1981	Krebs	.....	206/538
5,782,359	A *	7/1998	McAllister et al.	.....	206/538

D451,666	S *	12/2001	Zastrow	.....	D3/203.3
D458,016	S *	6/2002	Christianson	.....	D3/203.4
D473,786	S *	4/2003	Chue	.....	D3/203.4
7,128,213	B2 *	10/2006	Tung et al.	.....	206/538
D563,095	S *	3/2008	Sabbag	.....	D3/203.3
D570,595	S *	6/2008	Chue	.....	D3/203.3
D663,113	S *	7/2012	Simms	.....	D3/203.3

\* cited by examiner

*Primary Examiner* — Catheri Oliver-Garcia

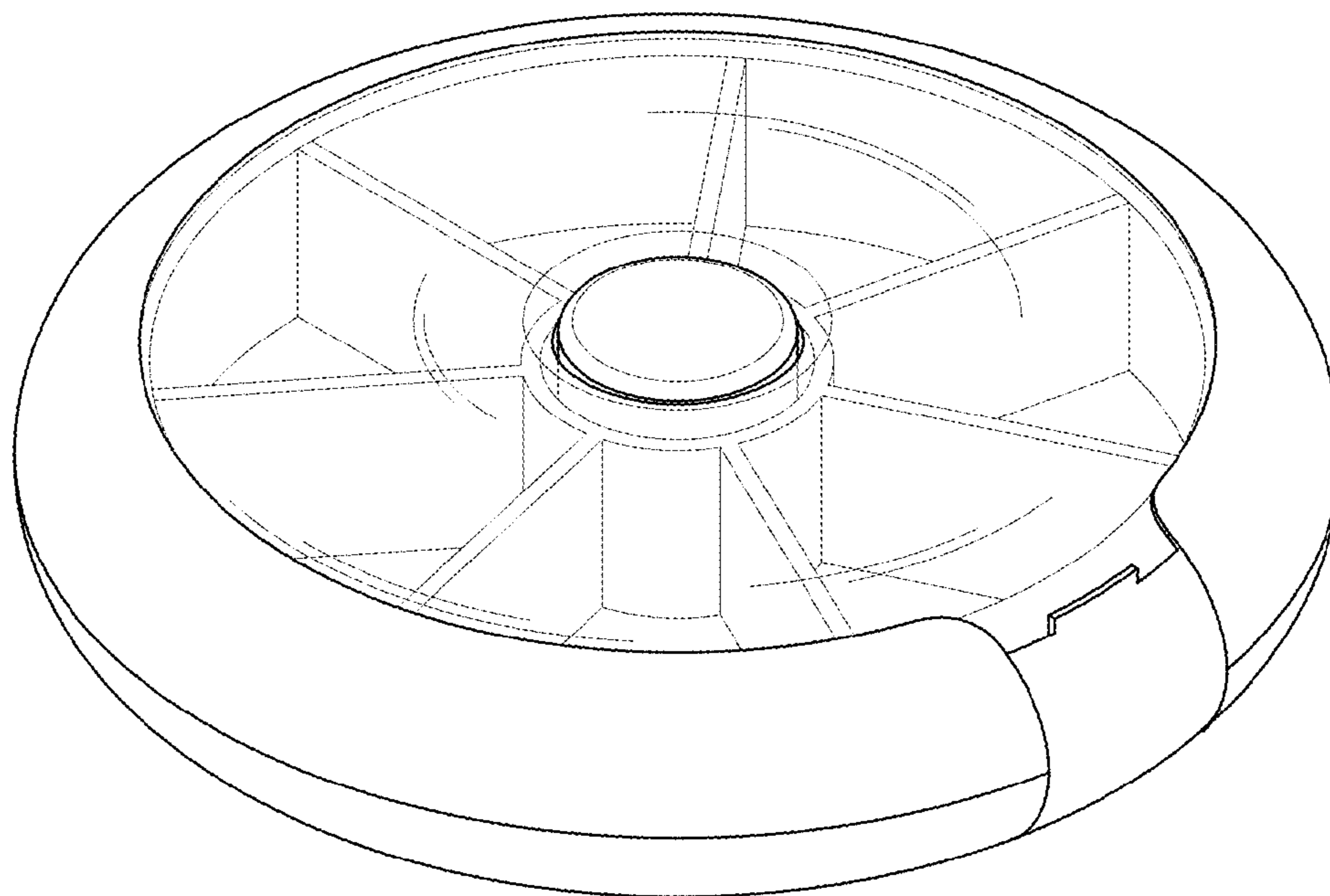
(57) **CLAIM**

The ornamental design for a pill box, as shown and described.

**DESCRIPTION**

FIG. 1 is a perspective view of a pill box showing my new design;  
FIG. 2 is a right side view thereof;  
FIG. 3 is a left side view thereof;  
FIG. 4 is a front elevational view thereof;  
FIG. 5 is a rear elevational view thereof;  
FIG. 6 is a top plan view thereof; and,  
FIG. 7 is a bottom plan view thereof.

**1 Claim, 7 Drawing Sheets**



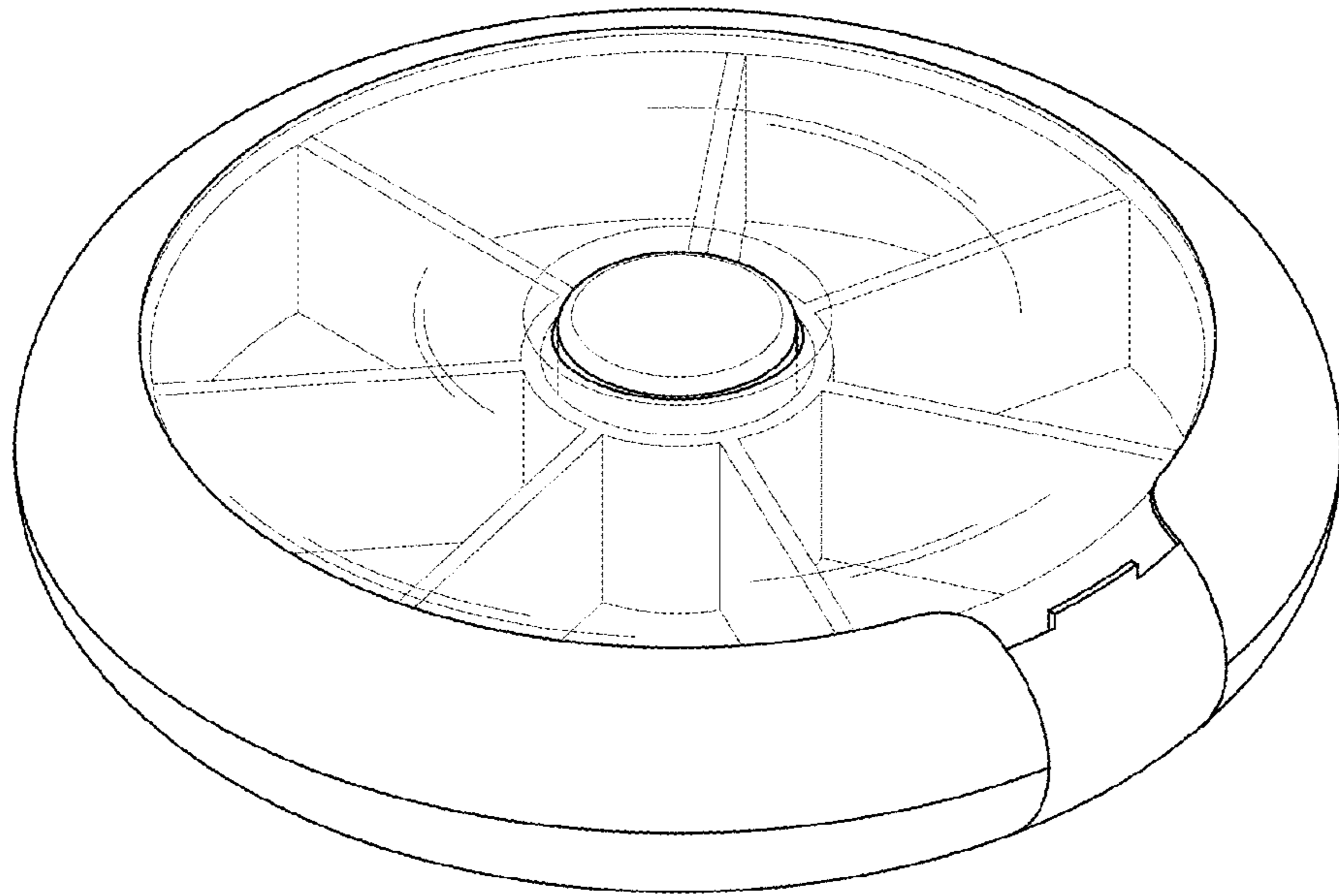


FIG. 1

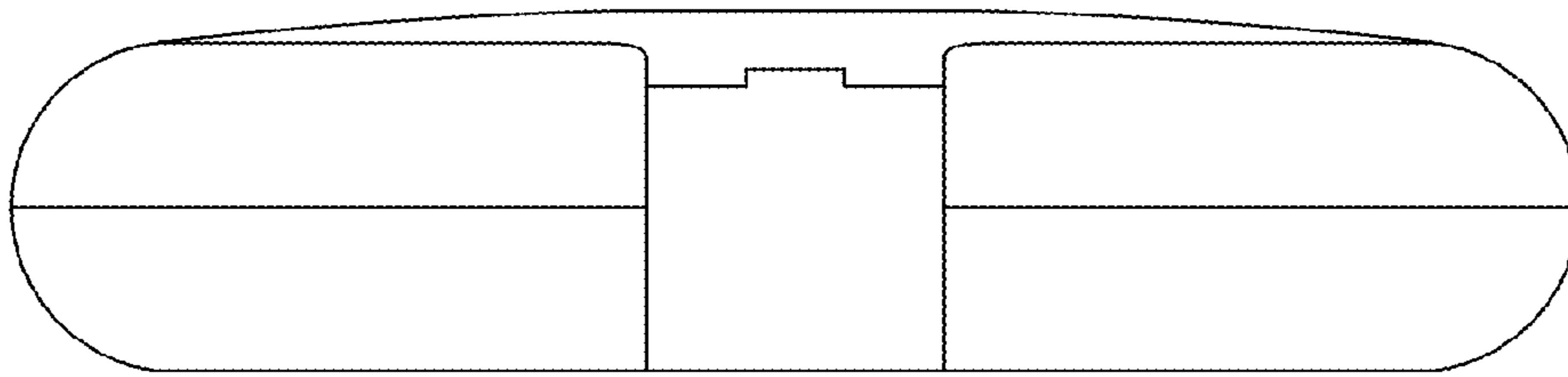


FIG. 2

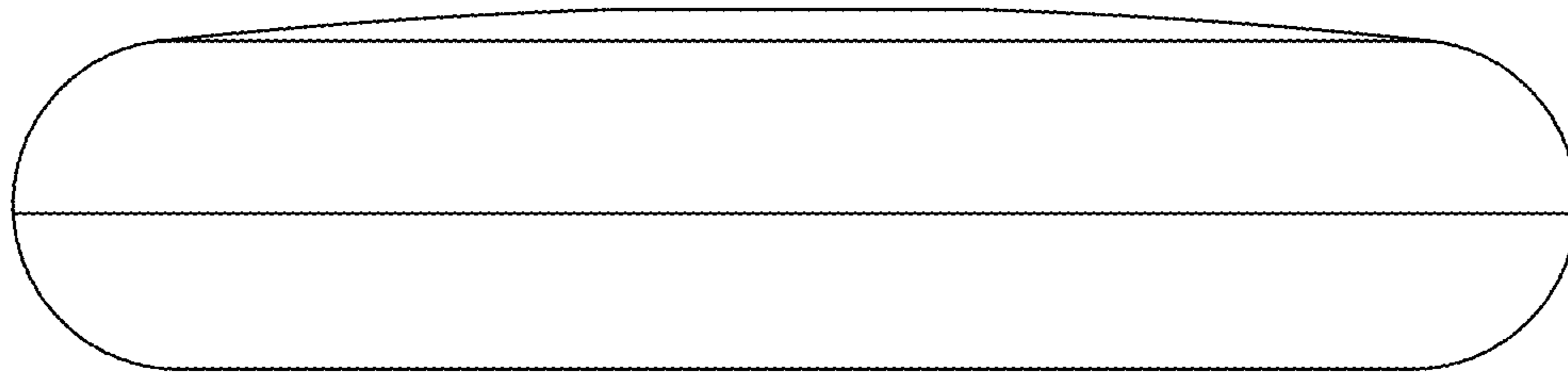


FIG. 3

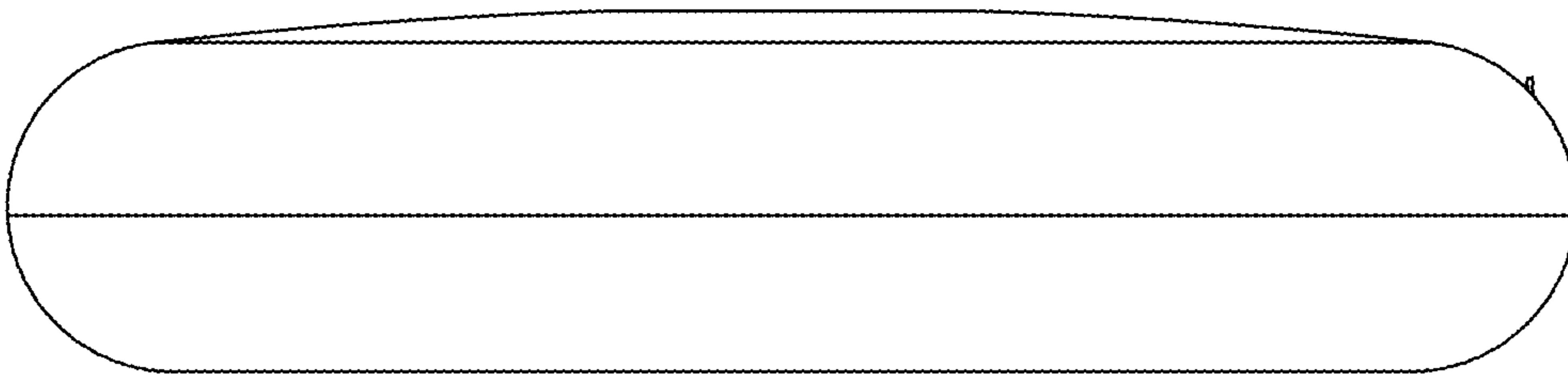


FIG. 4

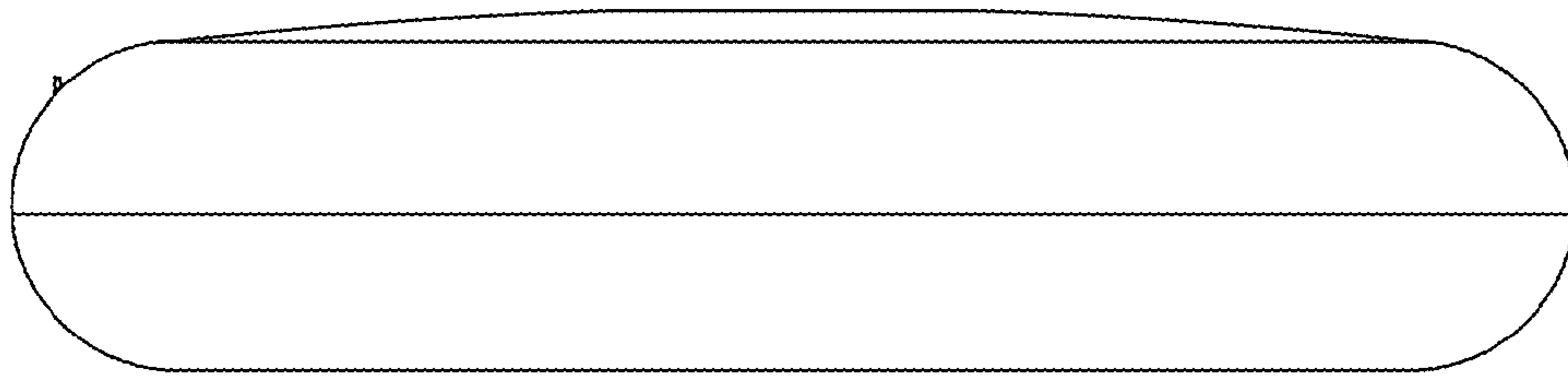


FIG. 5

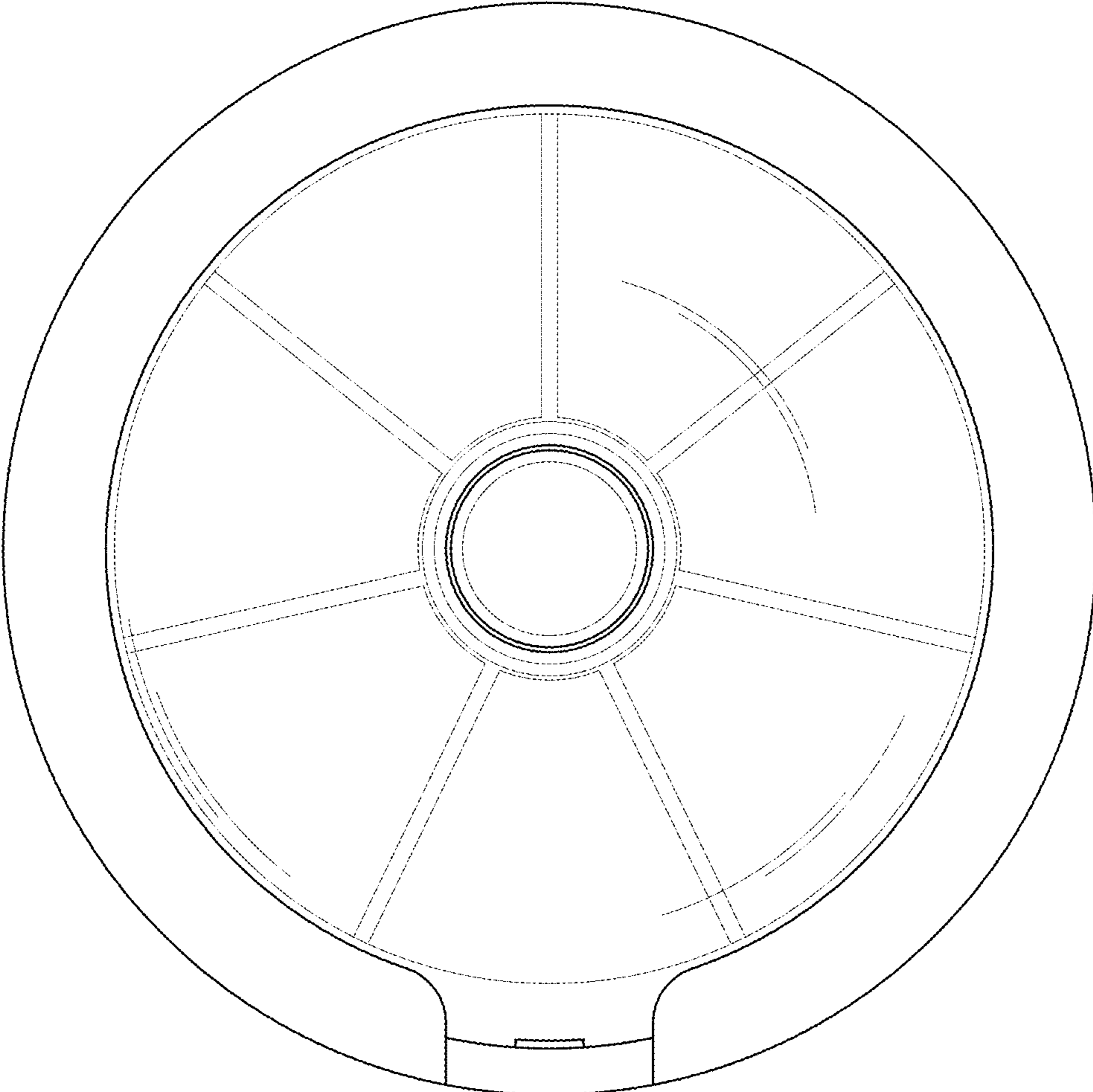


FIG. 6

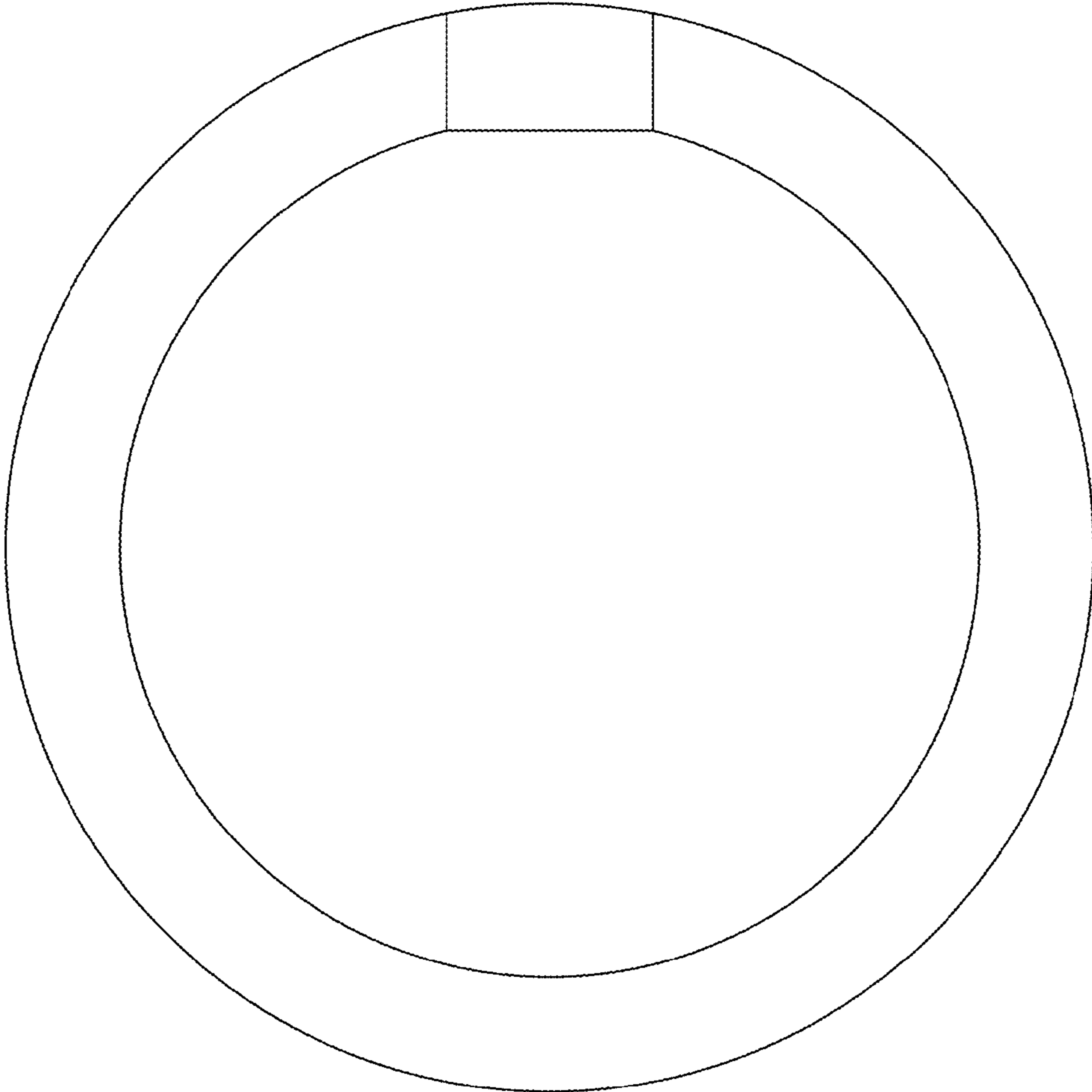


FIG. 7