



US00D717023S

(12) **United States Design Patent**
Fisher et al.

(10) **Patent No.:** **US D717,023 S**

(45) **Date of Patent:** **** Nov. 11, 2014**

- (54) **HOCKEY SKATE LACES CAP**
- (71) Applicants: **Garrett Brooks-Pearson Fisher**,
Cambridge (CA); **Mark Addison Fisher**,
Cambridge (CA)
- (72) Inventors: **Garrett Brooks-Pearson Fisher**,
Cambridge (CA); **Mark Addison Fisher**,
Cambridge (CA)
- (73) Assignee: **JJM Manufacturing Ltd.**, Mississauga,
Ontario (CA)
- (**) Term: **14 Years**

D90,101 S *	6/1933	Campbell	D2/882
D117,873 S *	11/1939	Simon	D2/887
D132,916 S *	6/1942	Simon	D2/888
D155,444 S *	10/1949	Noped	D2/876
D295,446 S *	4/1988	Lundell et al.	D24/189
D297,584 S *	9/1988	Lenox et al.	D2/866
D343,274 S *	1/1994	Paterek	D2/871
6,170,086 B1 *	1/2001	Lee	2/195.3
D538,011 S *	3/2007	Yan	D2/882
D600,891 S *	9/2009	Fountain	
D625,082 S *	10/2010	Jones	D2/882
D638,613 S *	5/2011	Romo	D2/889
7,962,971 B1 *	6/2011	Spence	2/209.11
D641,961 S *	7/2011	Kim	
D664,330 S *	7/2012	Wiggins	D2/888
2002/0095715 A1 *	7/2002	Hong	2/209.11
2003/0233696 A1 *	12/2003	Lee	2/195.2

- (21) Appl. No.: **29/463,906**
- (22) Filed: **Apr. 2, 2014**
- (51) **LOC (10) Cl.** **02-03**
- (52) **U.S. Cl.**
USPC **D2/882**
- (58) **Field of Classification Search**
CPC A42B 1/006; A42B 1/02
USPC D2/865, 866, 878, 879, 880, 881, 882,
D2/883, 884, 886, 888, 891, 893, 894,
D2/895; D24/110.3, 110.4; 2/171, 183,
2/175.1, 175.3, 175.7, 195.1, 195.2,
2/195.3, 195.4, 195.7, 200.1, 209.11,
2/209.12, 209.13, 209.3, 209.4, 209.7;
128/207.11
See application file for complete search history.

- (56) **References Cited**
U.S. PATENT DOCUMENTS
D19,354 S * 10/1889 Frank D2/880
446,762 A * 2/1891 Tuch 2/181
D45,076 S * 12/1913 Schwenke D2/880

OTHER PUBLICATIONS

Winter, 2012, Pink give away cap having hockey laces.
<http://www.wrigleyvillesports.com/Chicago-Blackhawks-Skate-Lacer-Snapback-Adjustable-Cap>.

* cited by examiner

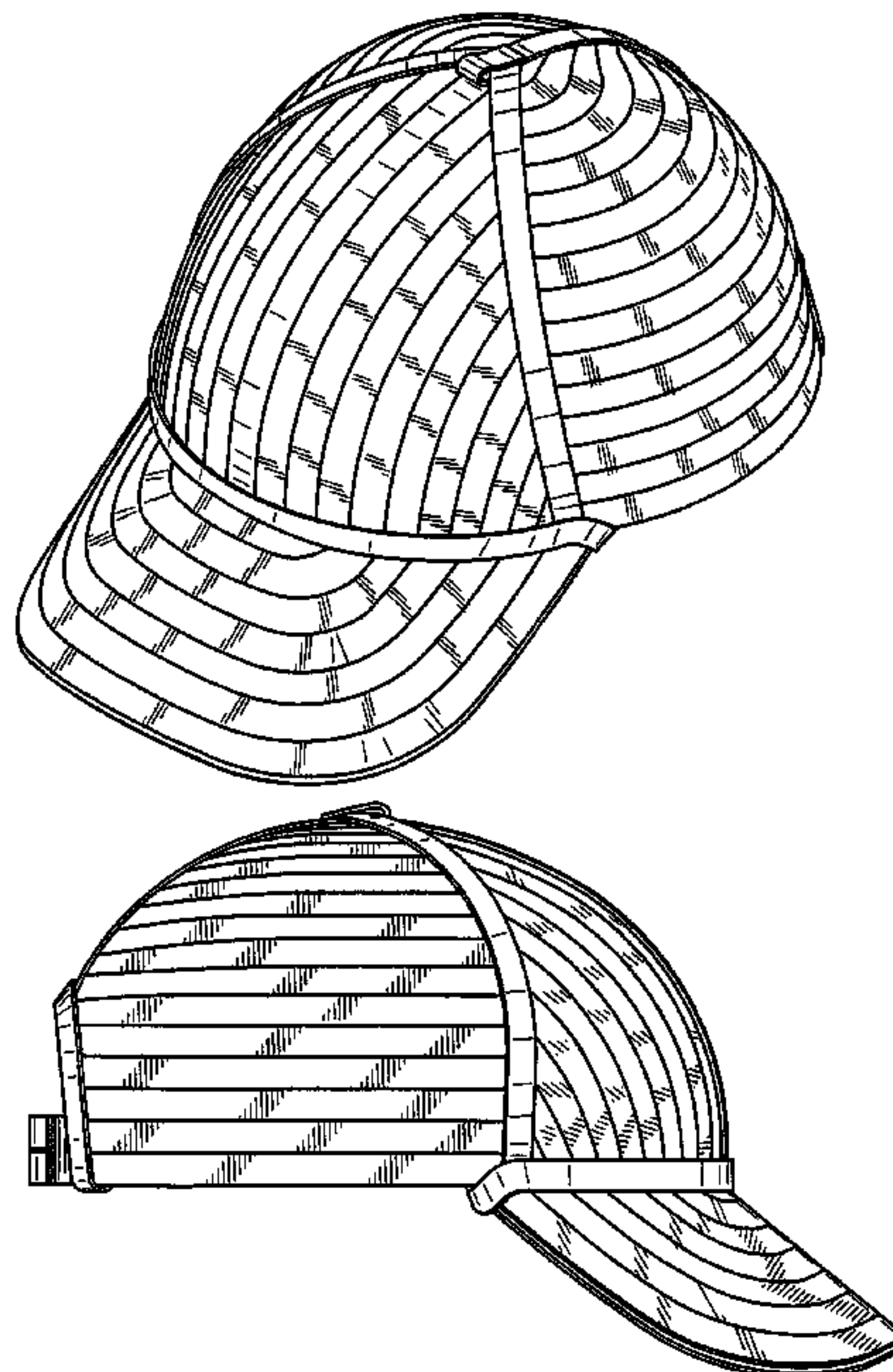
Primary Examiner — Karen E Eldridge Powers

(57) **CLAIM**
We claim the ornamental design for a hockey skate laces cap, as shown and described.

DESCRIPTION

FIG. 1 is a top perspective view of a hockey skate laces cap showing our new design;
FIG. 2 is a top plan view thereof;
FIG. 3 is a front elevational view thereof;
FIG. 4 is a rear elevational view thereof;
FIG. 5 is a right side view thereof; and,
FIG. 6 is a left side view thereof.

1 Claim, 4 Drawing Sheets



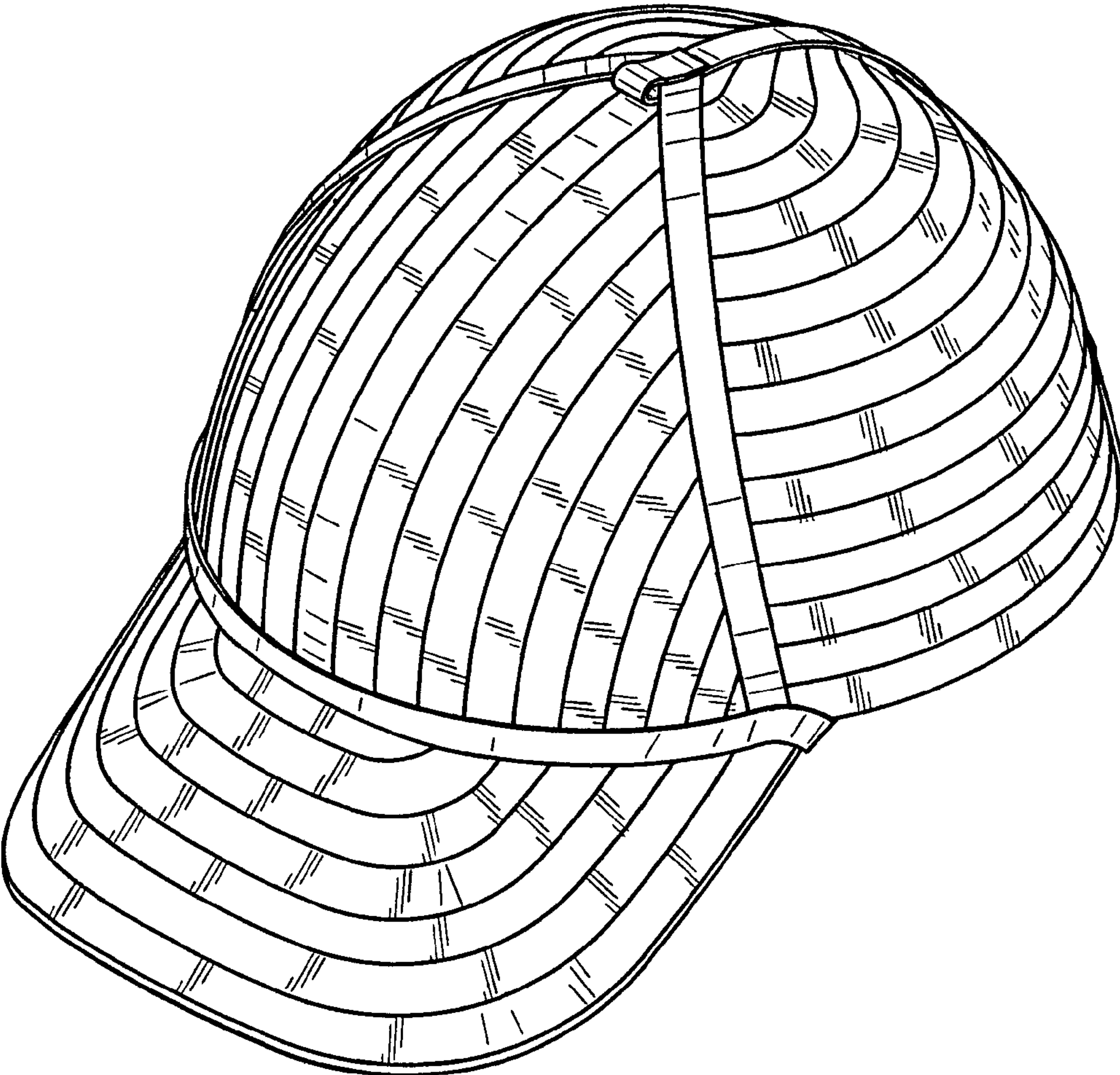


FIG. 1

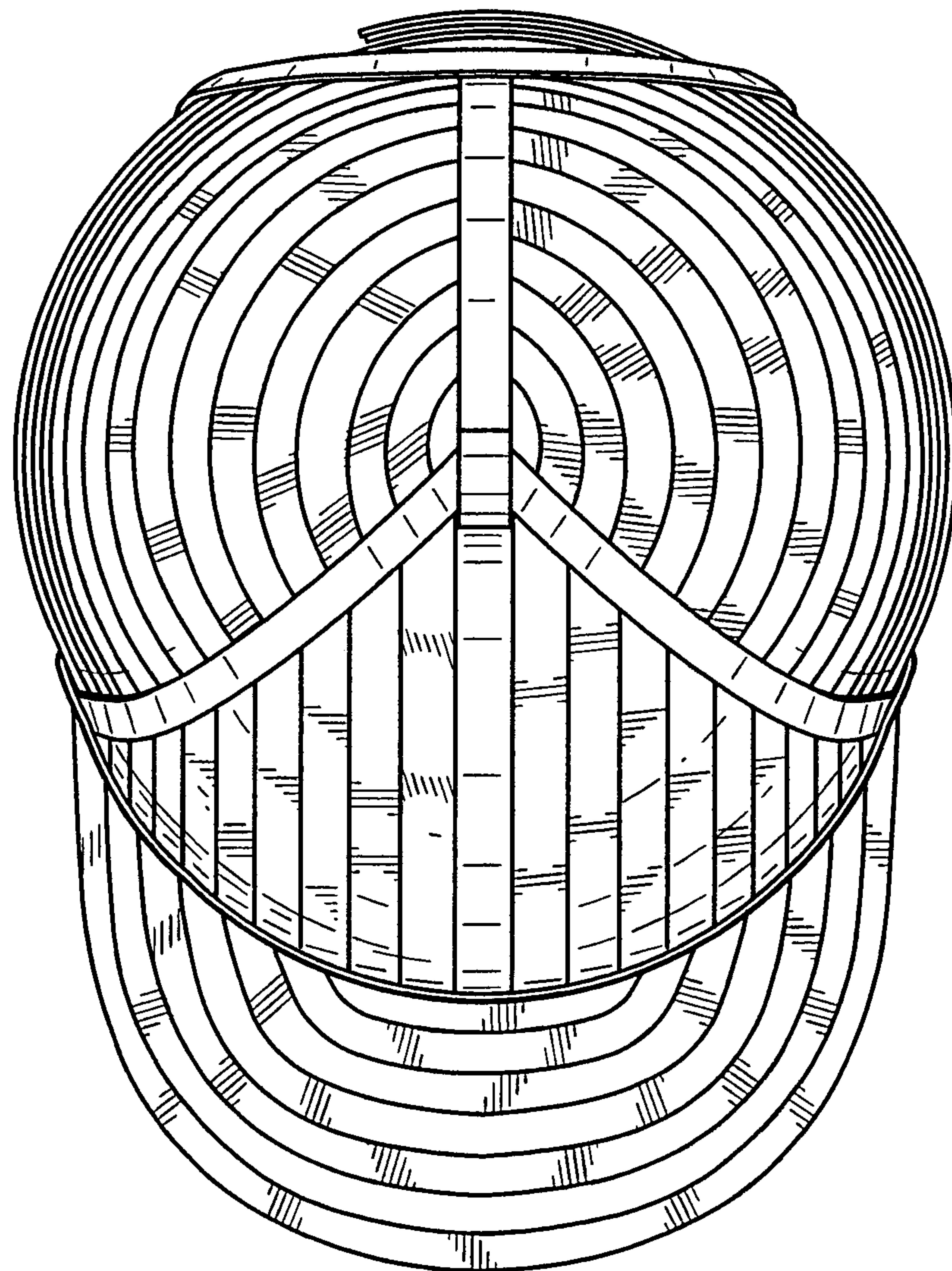


FIG. 2

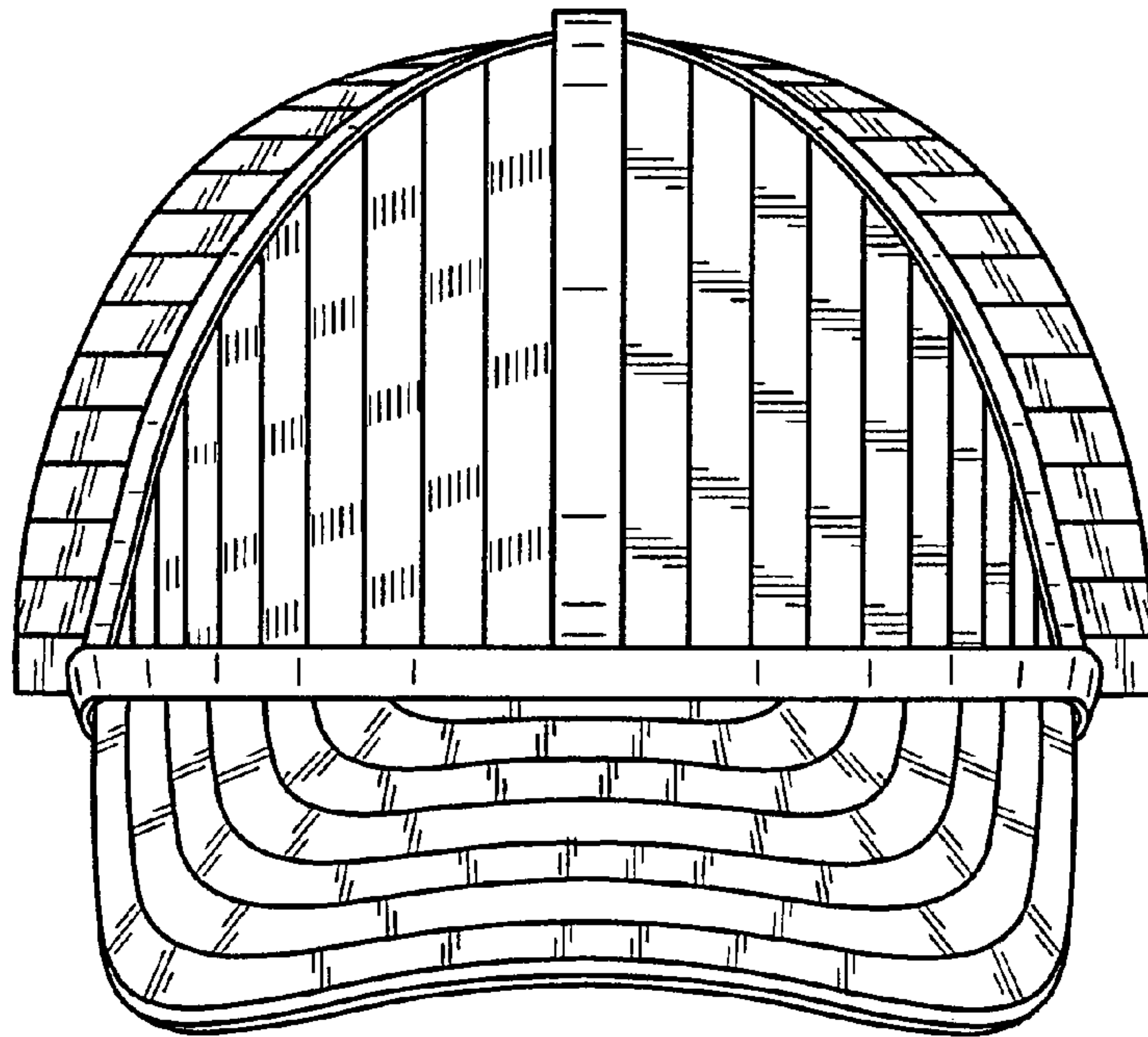


FIG. 3

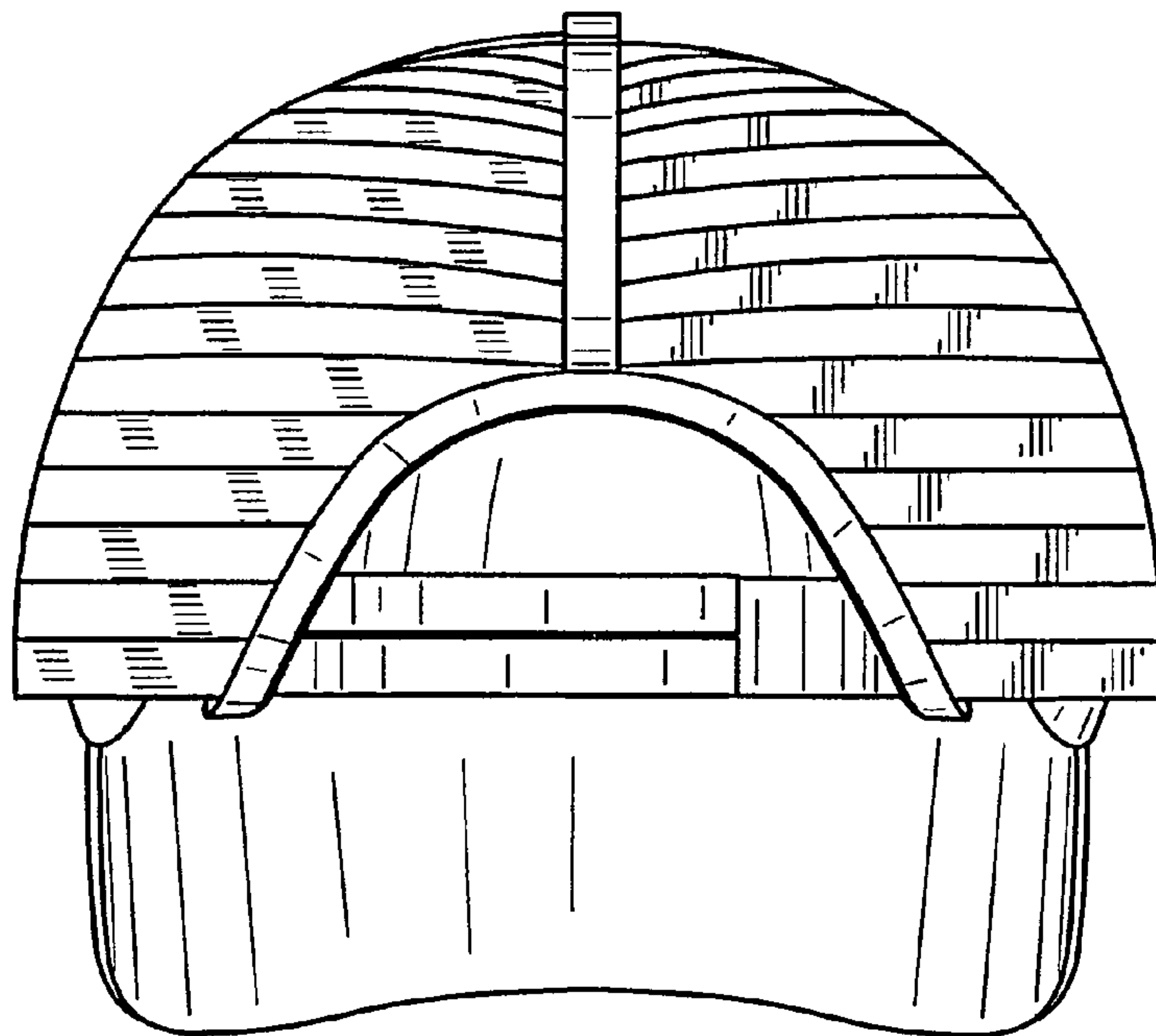


FIG. 4

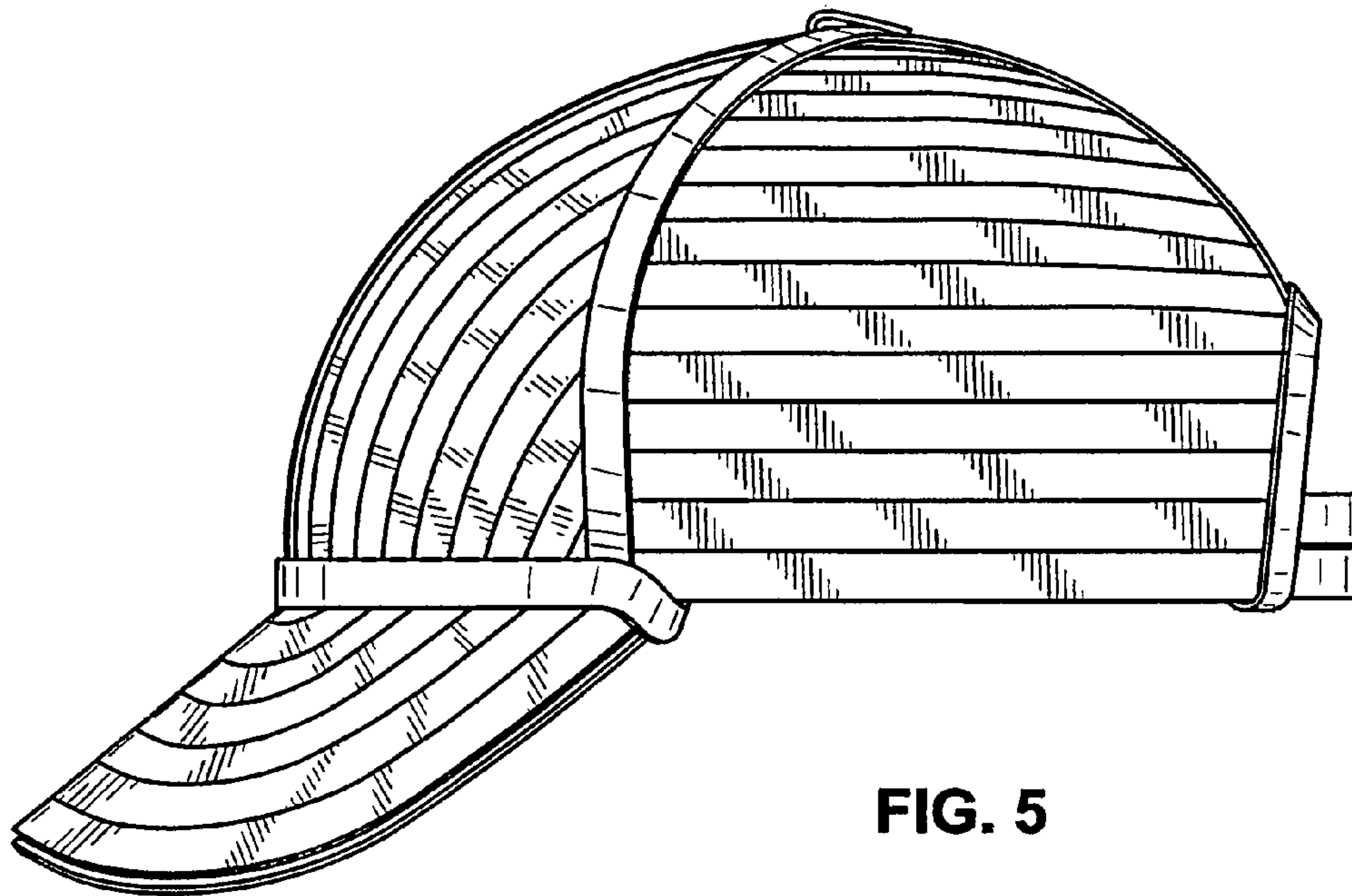


FIG. 5

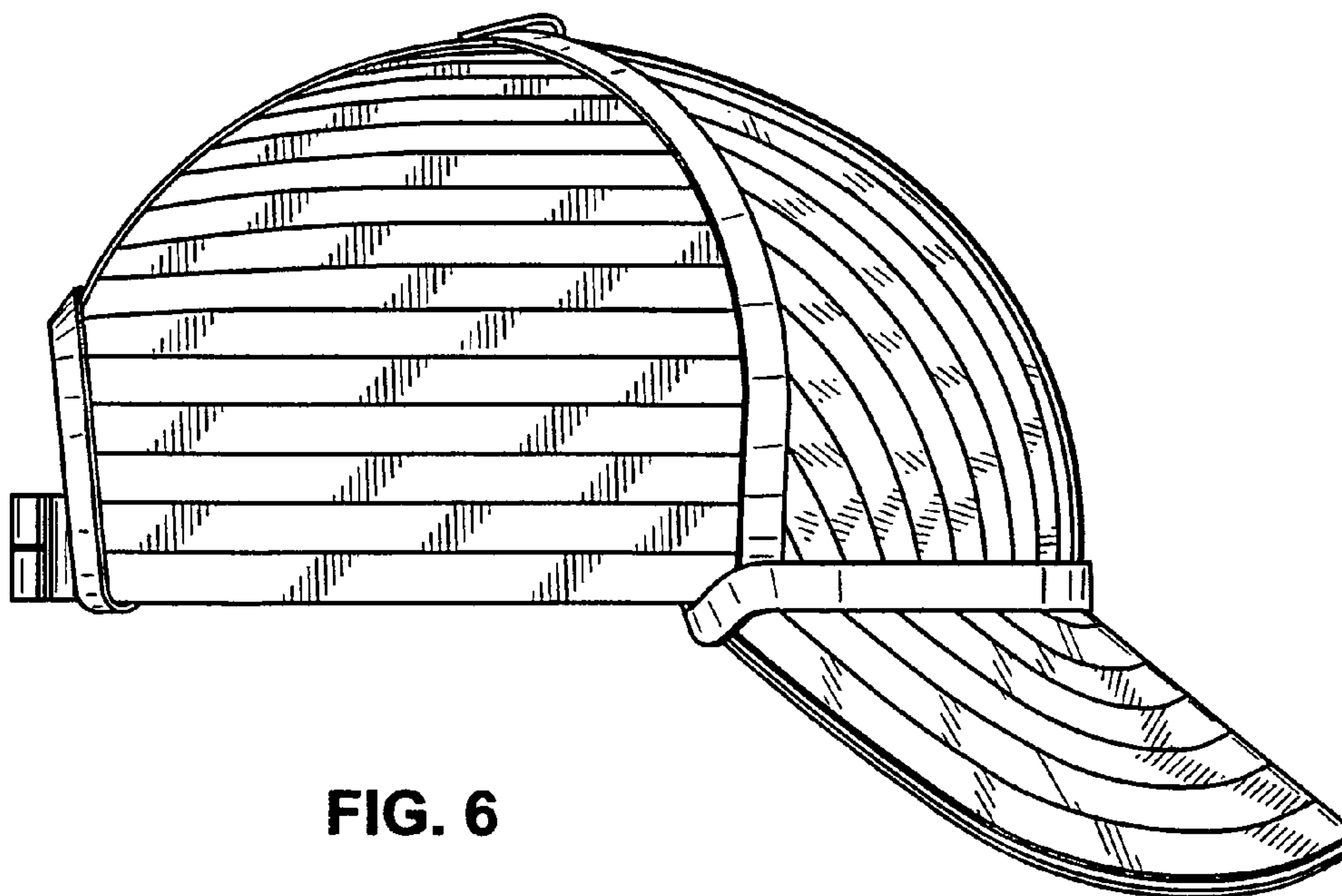


FIG. 6