



US00D717020S

(12) **United States Design Patent**  
**Hernon**

(10) **Patent No.:** **US D717,020 S**  
(45) **Date of Patent:** **\*\* Nov. 11, 2014**

(54) **BIB**

- (71) Applicant: **Jennifer Hernon**, Bellevue, WA (US)
- (72) Inventor: **Jennifer Hernon**, Bellevue, WA (US)
- (\*\*) Term: **14 Years**
- (21) Appl. No.: **29/476,171**
- (22) Filed: **Dec. 11, 2013**
- (51) **LOC (10) Cl.** ..... **02-02**
- (52) **U.S. Cl.**  
USPC ..... **D2/861**
- (58) **Field of Classification Search**  
USPC ..... D2/860-864, 501, 823, 600, 602, 604;  
2/46, 48, 49.1-51  
See application file for complete search history.

(56) **References Cited**

U.S. PATENT DOCUMENTS

2,900,640	A *	8/1959	Haydu	.....	2/49.1
5,079,777	A	1/1992	Fowler		
5,666,665	A *	9/1997	Morgado	.....	2/49.1
D394,936	S *	6/1998	Oetken	.....	D2/864
D403,489	S *	1/1999	Cameron	.....	D2/864
5,991,919	A	11/1999	Baggetto		
D424,786	S *	5/2000	Williams et al.	.....	D2/728
6,237,150	B1 *	5/2001	Lucas	.....	2/49.1
6,799,330	B1 *	10/2004	Lansdell	.....	2/49.4
6,836,900	B1 *	1/2005	Fus, Sr.	.....	2/52
6,859,938	B1 *	3/2005	Niski et al.	.....	2/49.1
D635,742	S	4/2011	Thompson		
D667,610	S	9/2012	Levitas		
D702,925	S *	4/2014	Kashierski	.....	D2/861
2007/0271678	A1	11/2007	Schwartzman		
2009/0044307	A1 *	2/2009	Johnson	.....	2/49.1
2009/0188016	A1 *	7/2009	Arthur-Mensah et al.	.....	2/49.4

FOREIGN PATENT DOCUMENTS

JP 2005068619 A \* 3/2005 ..... A41B 13/10  
WO WO 03015545 A2 \* 2/2003

\* cited by examiner

*Primary Examiner* — Rashida Johnson

(74) *Attorney, Agent, or Firm* — Dean A. Craine; Marisa C. Whitaker

(57) **CLAIM**

The ornamental design for a bib, as shown and described.

**DESCRIPTION**

FIG. 1 is a top perspective view of a bib, showing the first embodiment of my new design; the bib having a narrow perimeter edge;

FIG. 2 is a top plan view of the invention.

FIG. 3 is a bottom plan view of the invention.

FIG. 4 is a left side elevational view of the invention.

FIG. 5 is a right side elevational view of the invention.

FIG. 6 is a rear elevational view of the invention.

FIG. 7 is a front elevational view of the invention.

FIG. 8 is an enlarged, partial, top perspective of the invention showing the perimeter edge.

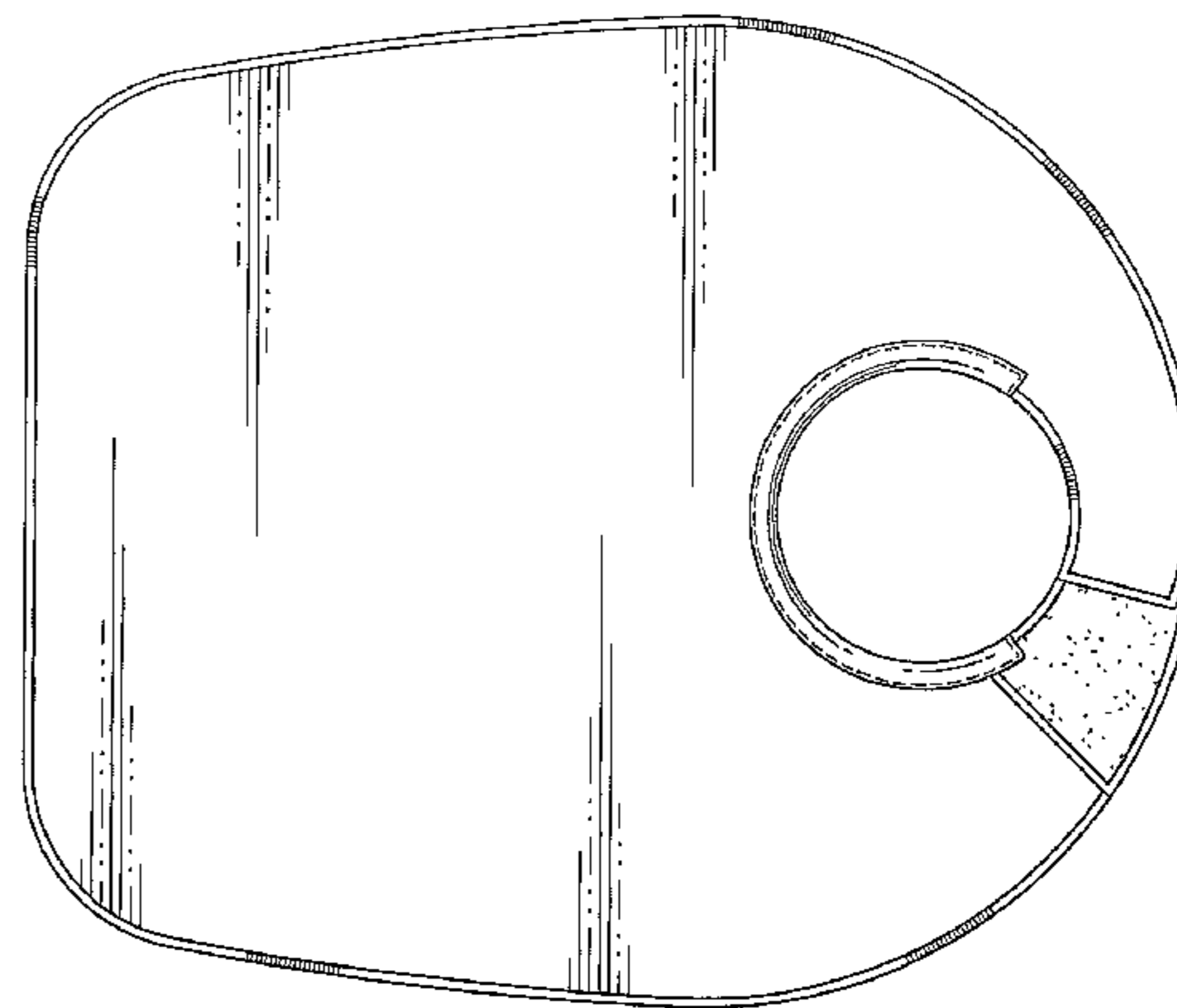
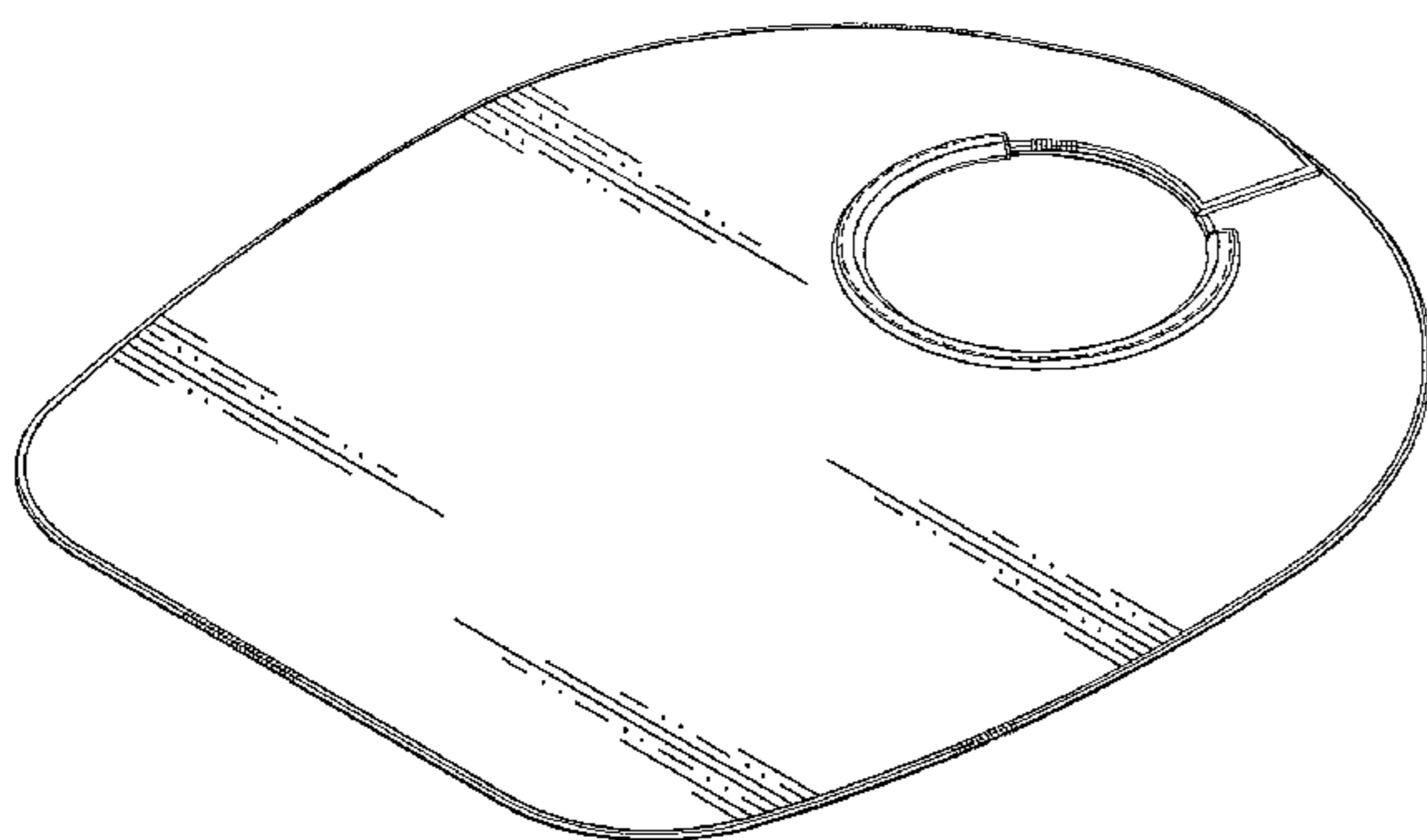
FIG. 9 is an enlarged partial, top perspective of the invention showing a wide perimeter edge around the lower area of neck opening and narrow edge along the perimeter edge of the neck strap.

FIG. 10 is a top plan of a second embodiment of the bib with a wide perimeter edge; and,

FIG. 11 is a bottom plan view of the invention shown in FIG. 10.

The broken lines represent the portions of the bib, which form no part of the claimed design.

**1 Claim, 4 Drawing Sheets**



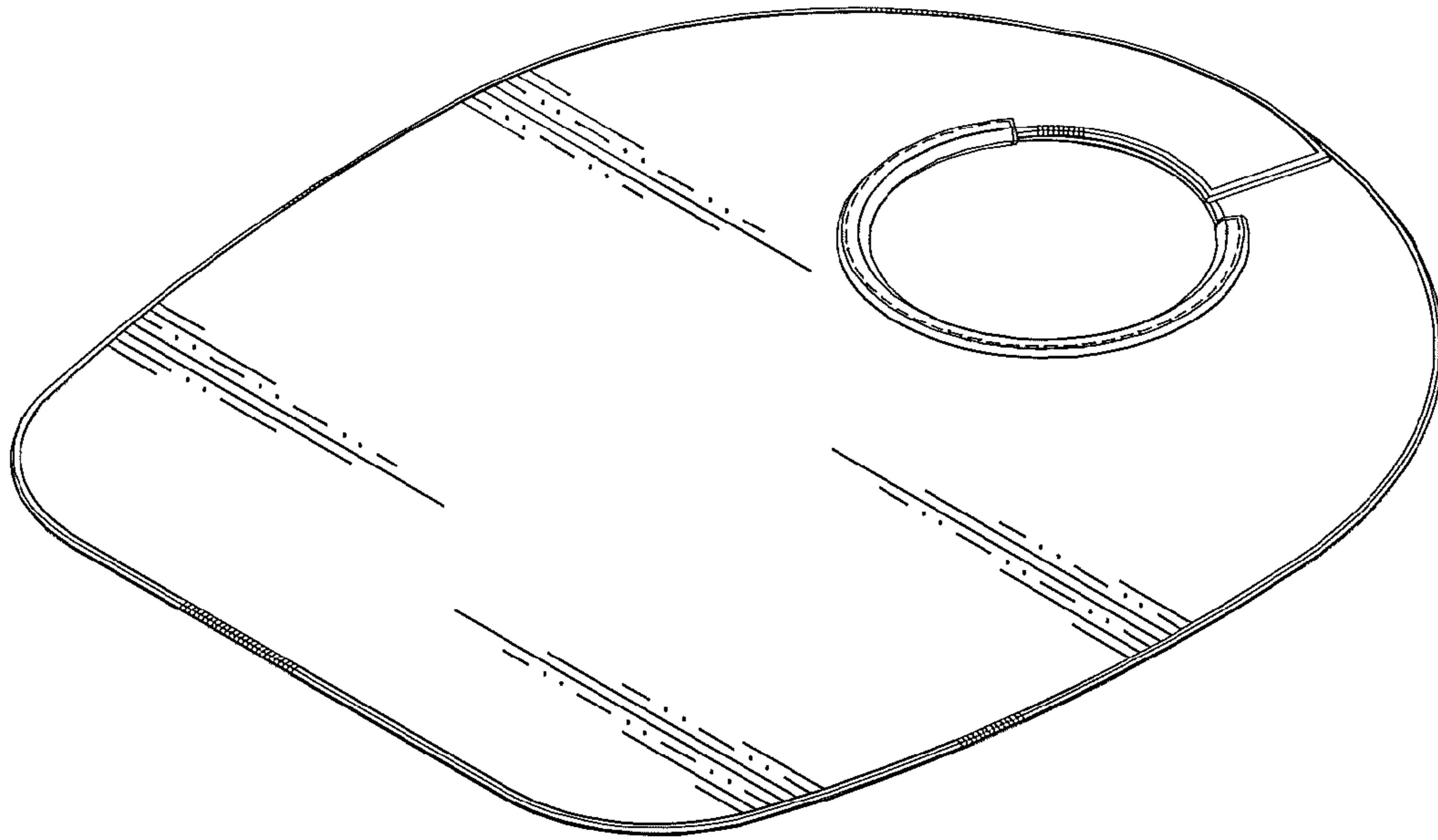


Fig. 1

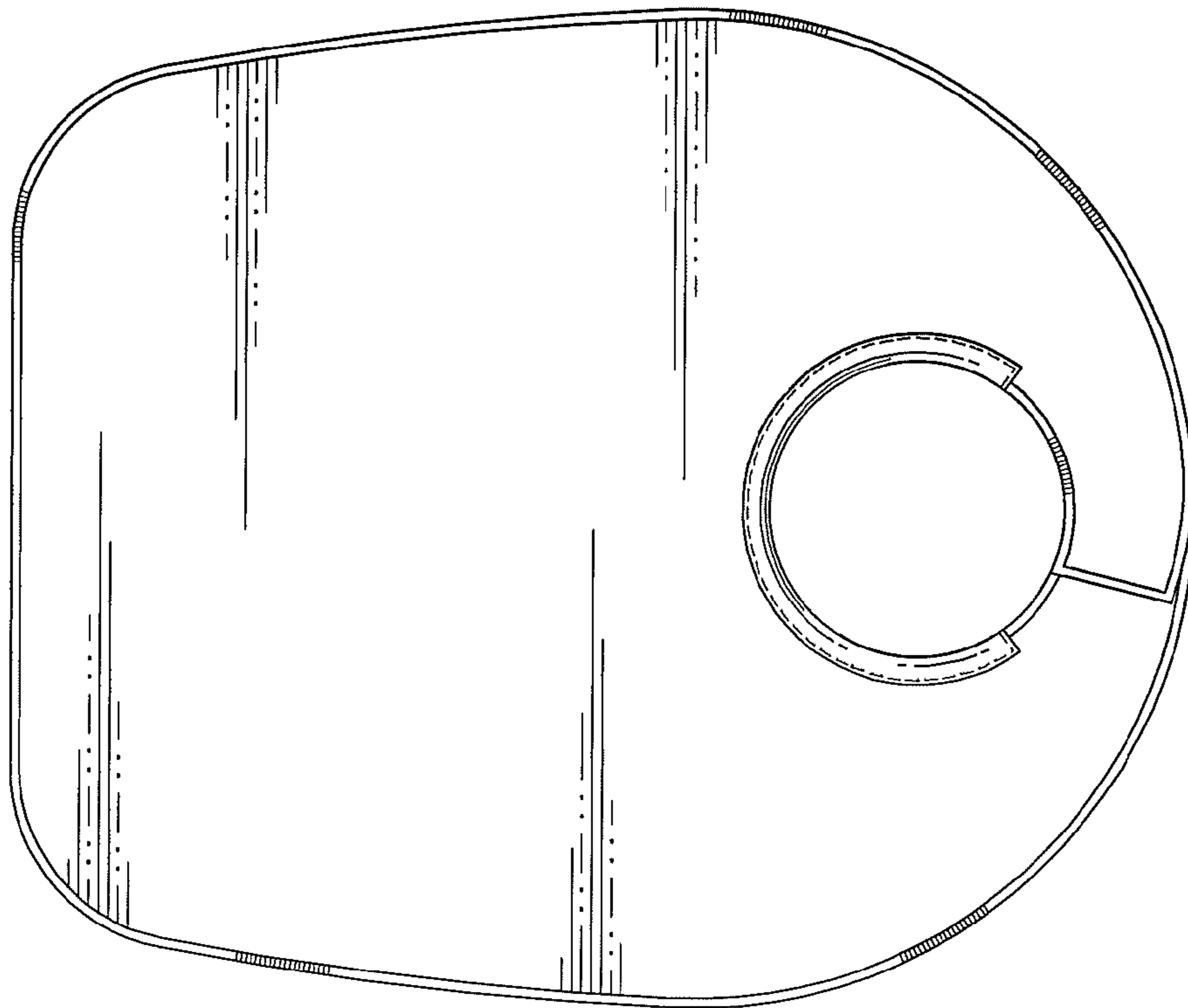


Fig. 2

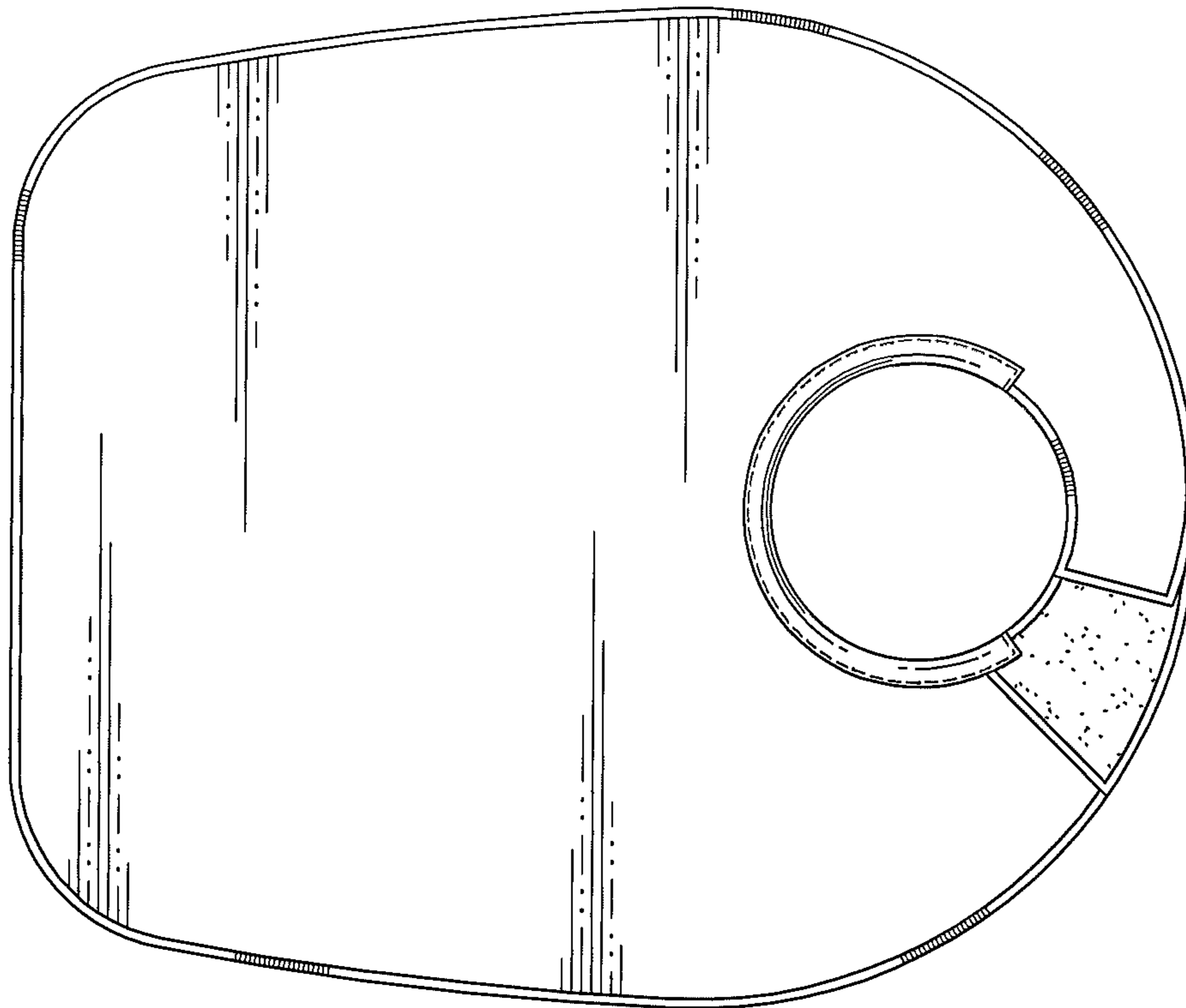


Fig. 3

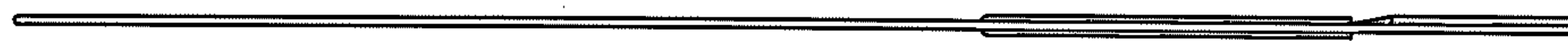


Fig. 4



Fig. 5

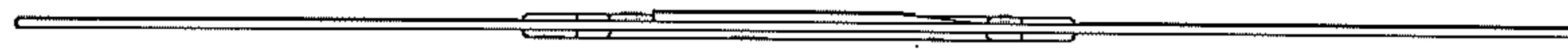


Fig. 6

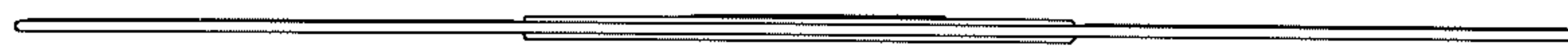


Fig. 7

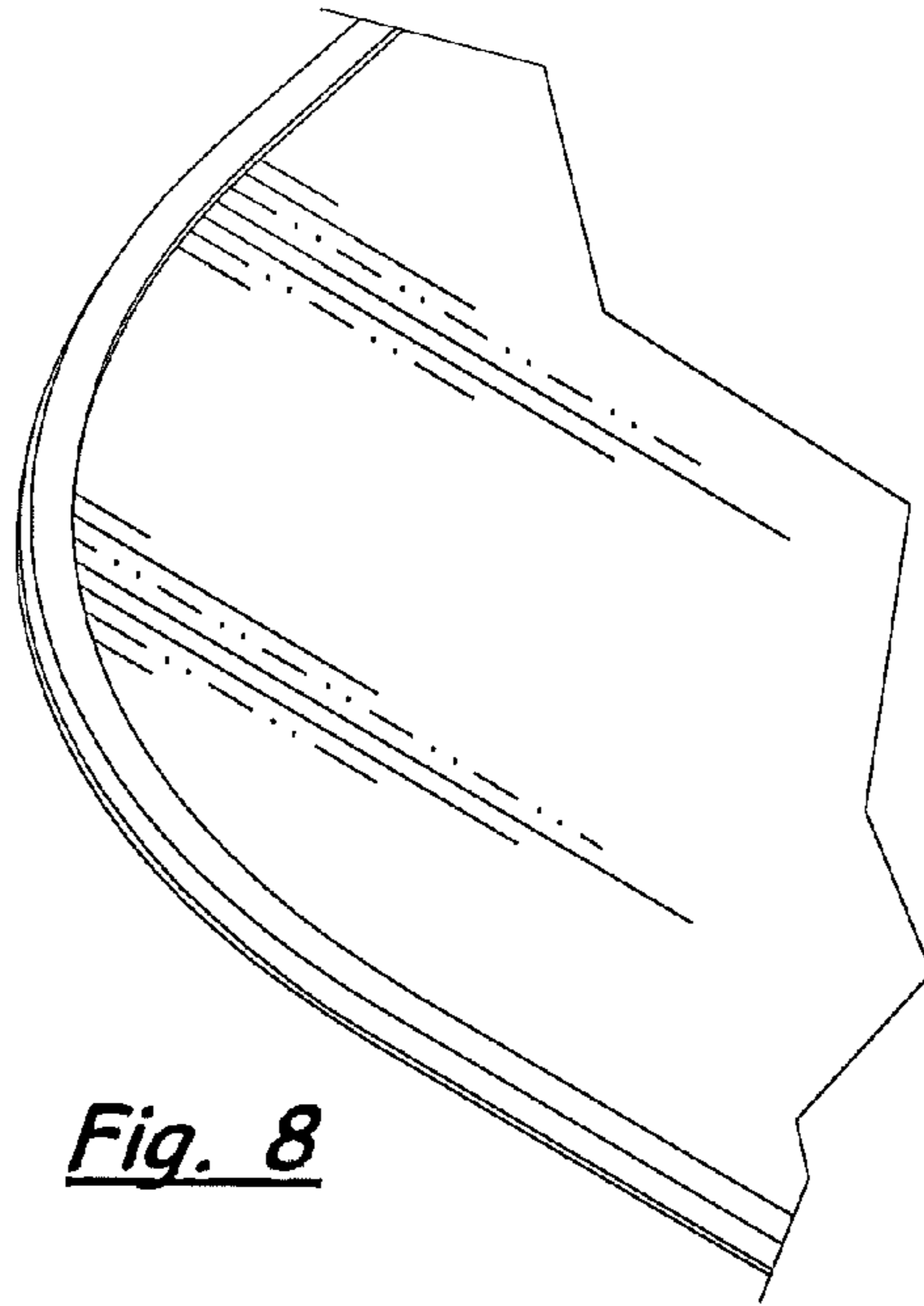


Fig. 8

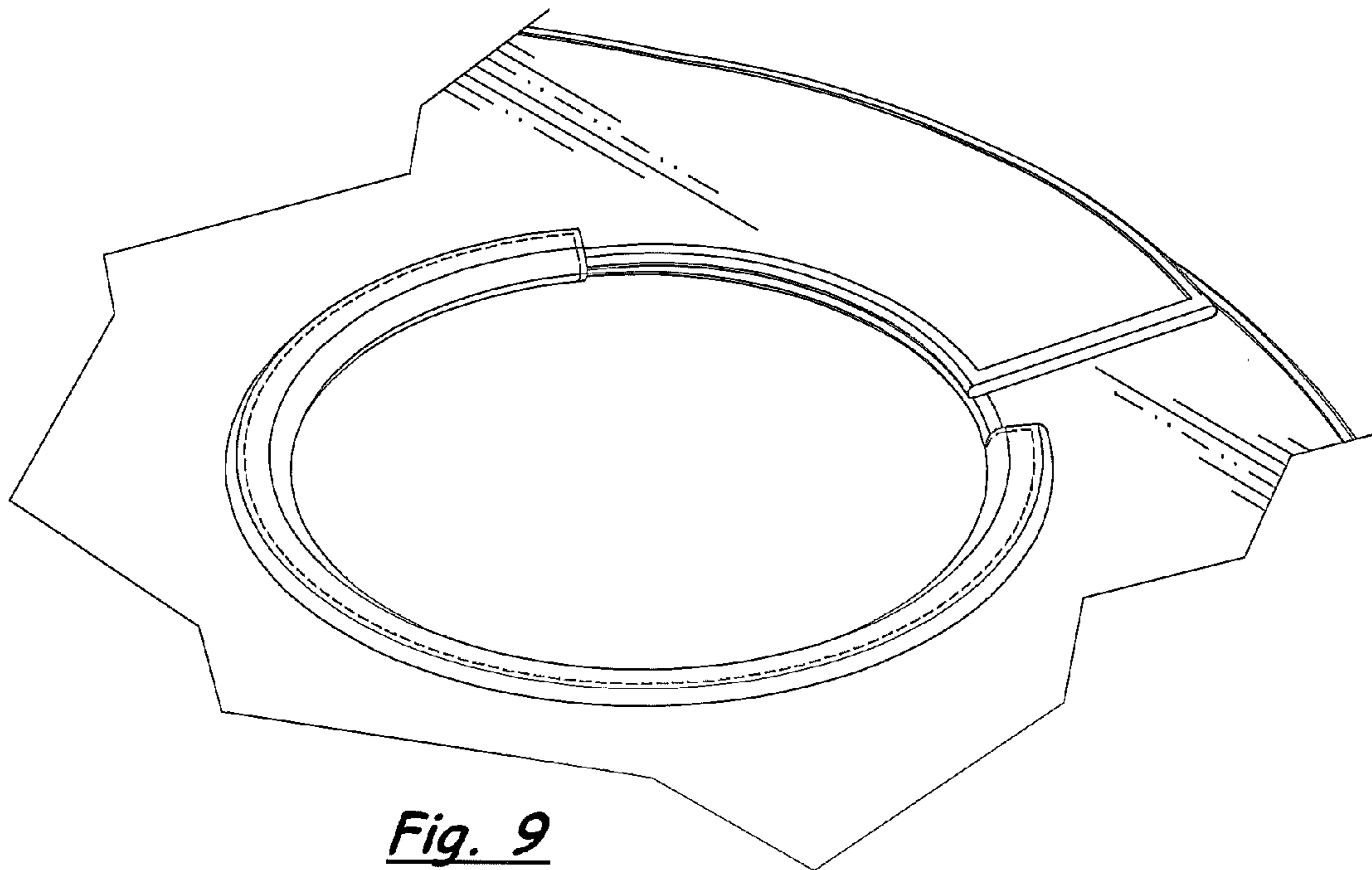


Fig. 9

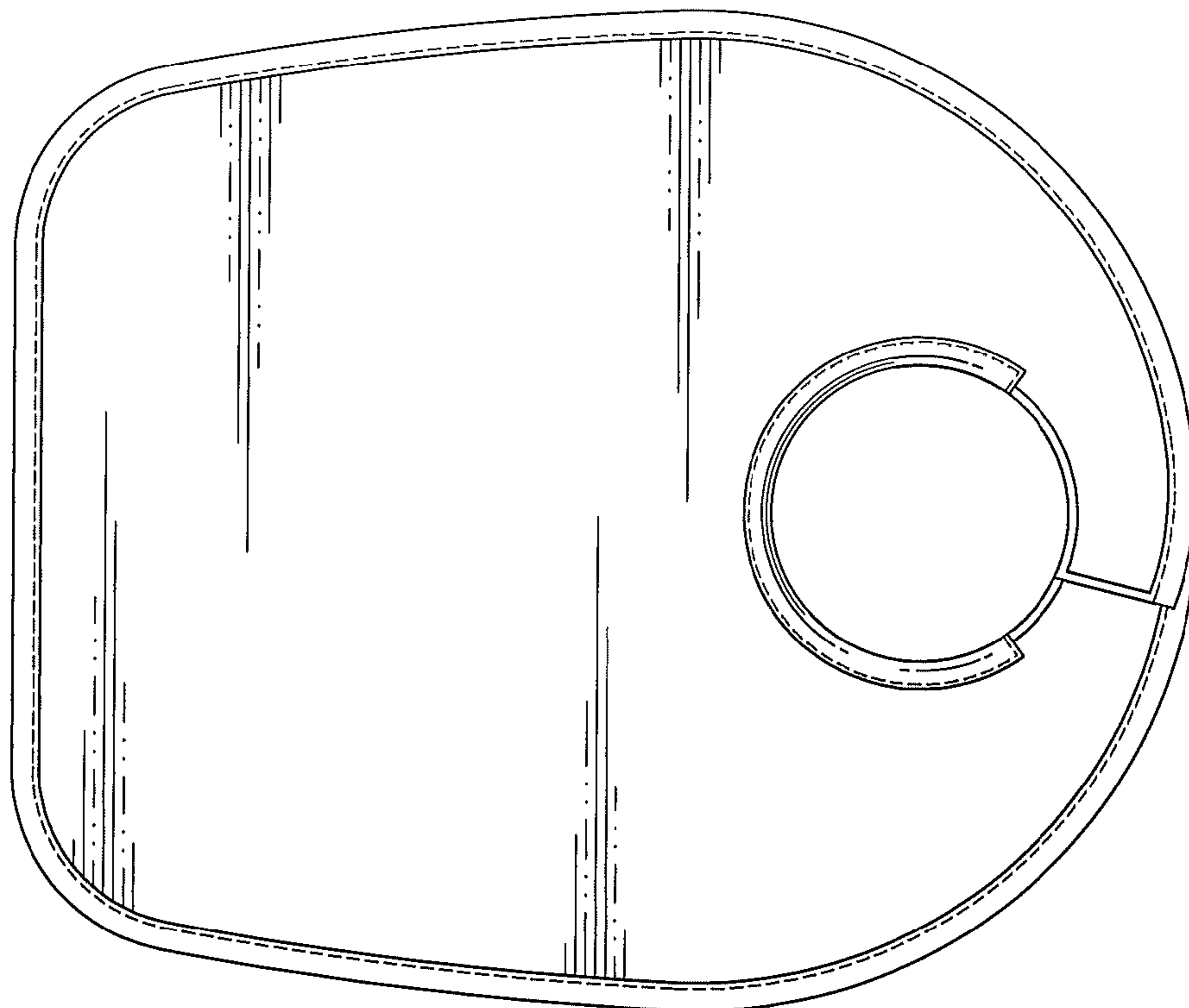


Fig. 10

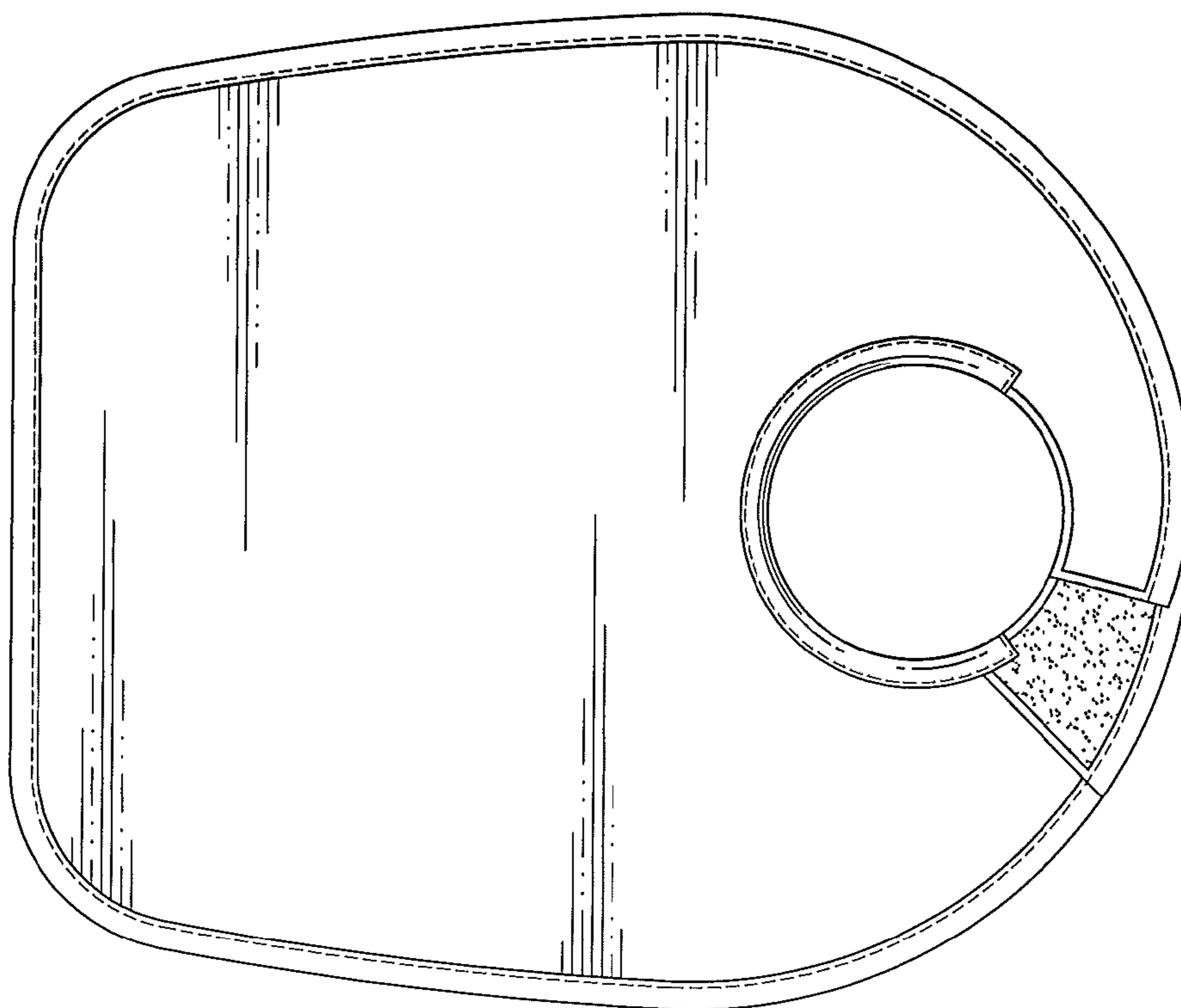


Fig. 11