



US00D717017S

(12) **United States Design Patent**
McGrath et al.

(10) **Patent No.:** **US D717,017 S**
(45) **Date of Patent:** **** Nov. 11, 2014**

- (54) **ANIMAL TREAT**
- (71) Applicant: **Societe des Produits Nestle S. A., Vevey (CH)**
- (72) Inventors: **Marilyn J. McGrath, Glen Carbon, IL (US); Christina Hoskins, Ballwin, MO (US); Robert M. Chester, St. Louis, MO (US); Arturo Munoz Gonzalez, Aguascalientes (MX)**
- (73) Assignee: **Societe des Produits Nestle S.A., Vevey (CH)**
- (**) Term: **14 Years**
- (21) Appl. No.: **29/480,518**
- (22) Filed: **Jan. 27, 2014**
- (51) **LOC (10) Cl.** **01-01**
- (52) **U.S. Cl.**
USPC **D1/199**
- (58) **Field of Classification Search**
CPC A23J 3/26; A21C 11/12; A23G 3/50;
A23G 3/54; A23G 3/563; A23G 3/343
USPC D1/100-130, 199; 426/5, 76, 87, 92,
426/94, 95, 99, 101, 103, 104, 108,
426/138-139, 143, 144, 279, 282, 283, 391,
426/514, 549, 559, 560, 660, 808;
D21/385, 386, 498, 658, 713, 408;
D30/160; D11/90, 157; D24/212;
249/117, 137
See application file for complete search history.

- D456,959 S * 5/2002 Simon D30/160
- D473,021 S 4/2003 Gourley
- D475,487 S * 6/2003 DeAngelis D30/160
- D489,494 S 5/2004 Silvergate
- D497,701 S 11/2004 Tepper et al.
- D498,274 S * 11/2004 Wechsler D21/707
- RE39,563 E 4/2007 Markham

(Continued)

OTHER PUBLICATIONS

Fire Hose Ball, Sep. 18, 2012. [online.] [retrieved on Jun. 11, 2014]. Retrieved from internet <URL: <https://web.archive.org/web/20120918150429/http://www.firehosesupply.com/blogs/international-fire-equipment-news/6264954-turn-your-used-fire-hose-into-a-toy-for-your-favorite-animal>>.*

Primary Examiner — Deanna L Pratt
Assistant Examiner — Katie Mroczka
(74) *Attorney, Agent, or Firm* — Holland & Hart, LLP

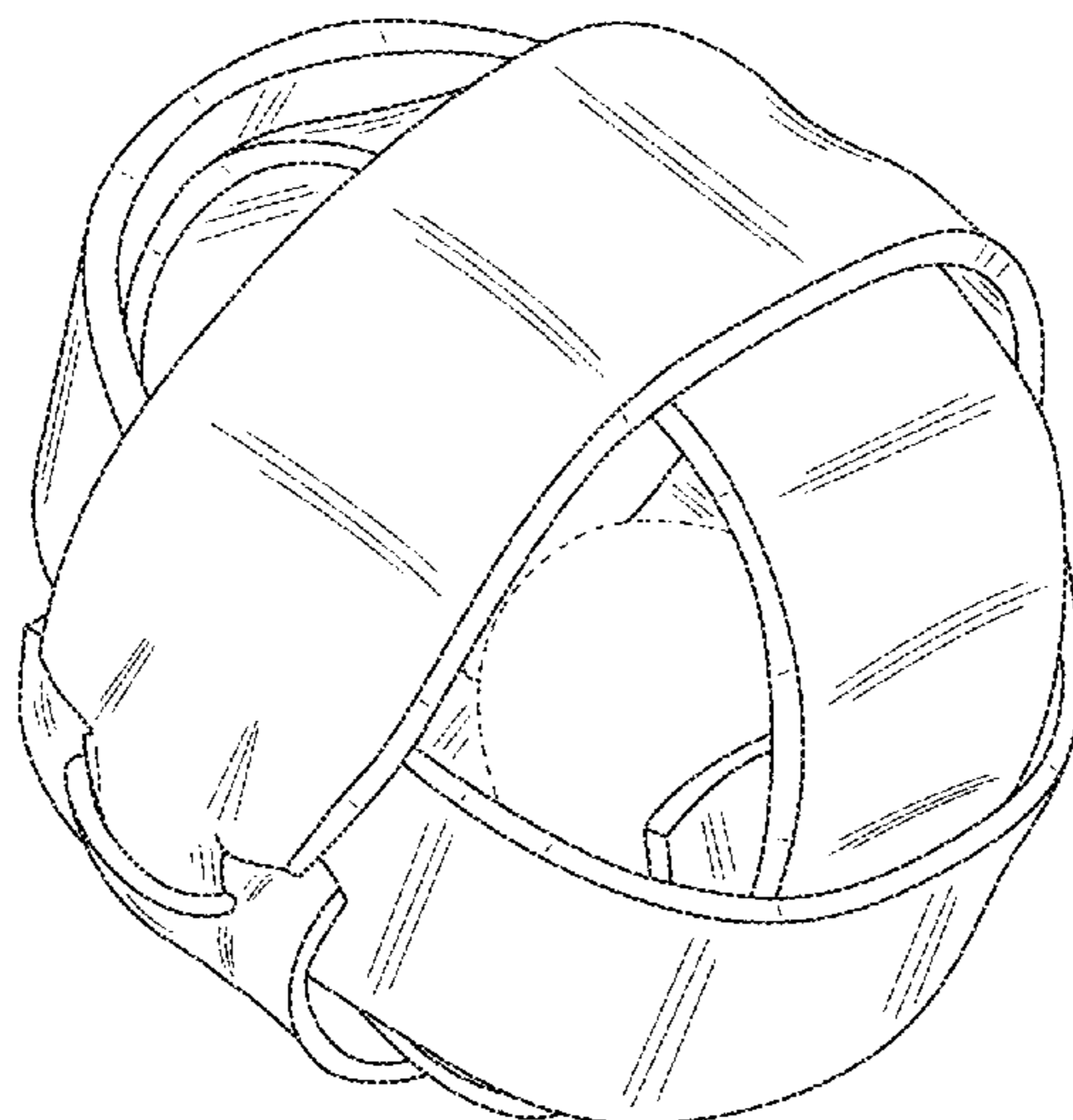
(57) **CLAIM**
The ornamental design for an animal treat, as shown and described.

DESCRIPTION

FIG. 1 is a perspective view of the animal treat, showing our new design;
FIG. 2 is a left side view of the design illustrated in FIG. 1;
FIG. 3 is a right side view of the design illustrated in FIG. 1;
FIG. 4 is a front view of the design illustrated in FIG. 1;
FIG. 5 is a rear view of the design illustrated in FIG. 1;
FIG. 6 is a top view of the design illustrated in FIG. 1; and
FIG. 7 is a bottom view of the design illustrated in FIG. 1.
The broken lines in the drawings are for the purpose of illustrating unclaimed portions of the animal treat and form no part of the claimed design.

1 Claim, 4 Drawing Sheets

- (56) **References Cited**
U.S. PATENT DOCUMENTS
D332,982 S * 2/1993 Norman et al. D21/713
5,224,959 A * 7/1993 Kasper 482/114
6,237,538 B1 5/2001 Tsengas



(56)

References Cited

U.S. PATENT DOCUMENTS

D549,889 S *	8/2007	Winkler et al.	D30/160	8,127,720 B2	3/2012	Willinger	
D553,809 S	10/2007	Gick		D657,506 S	4/2012	Viola	
D583,113 S	12/2008	Simon		8,161,914 B2	4/2012	Adkins et al.	
D603,132 S	11/2009	Townsend et al.		8,215,267 B2	7/2012	Axelrod et al.	
7,640,894 B2	1/2010	Jager		2002/0124811 A1 *	9/2002	Willinger et al.	119/707
D631,213 S	1/2011	Morton		2004/0126462 A1	7/2004	Tepper	
				2008/0090486 A1	4/2008	Zawitz	
				2011/0185980 A1	8/2011	Chefetz	
				2013/0047931 A1	2/2013	Lai	

* cited by examiner

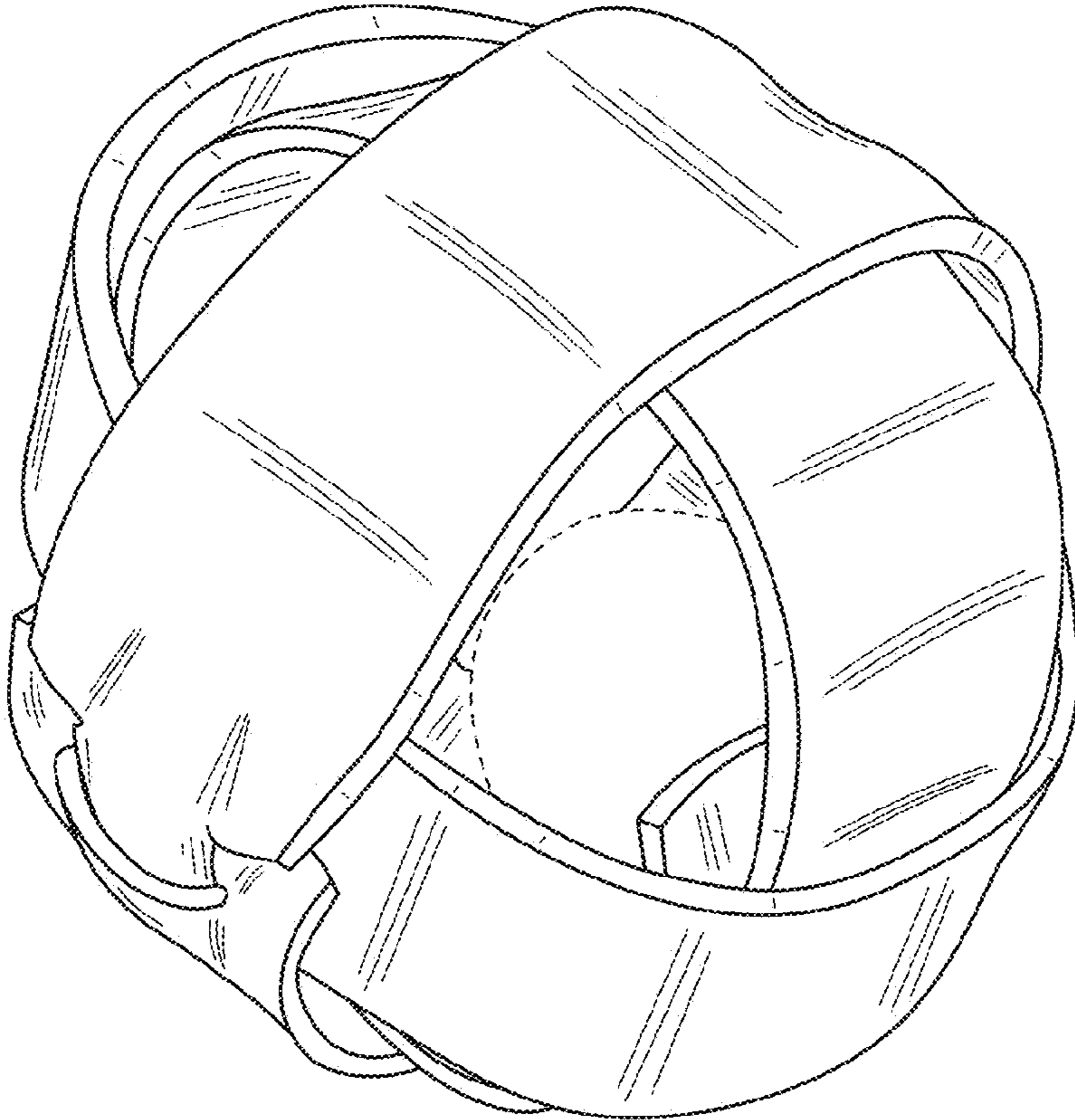


FIG.1

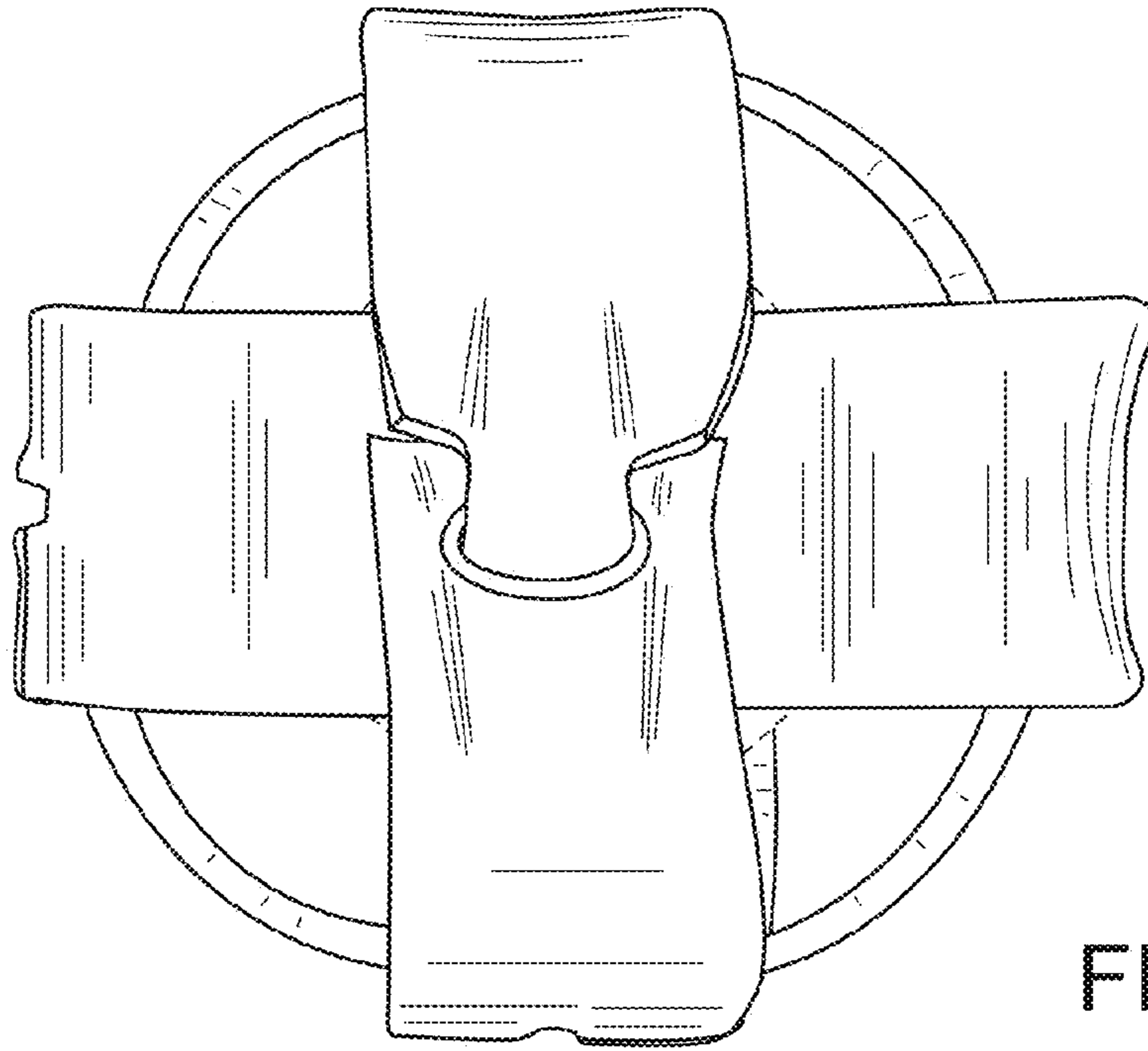


FIG. 2

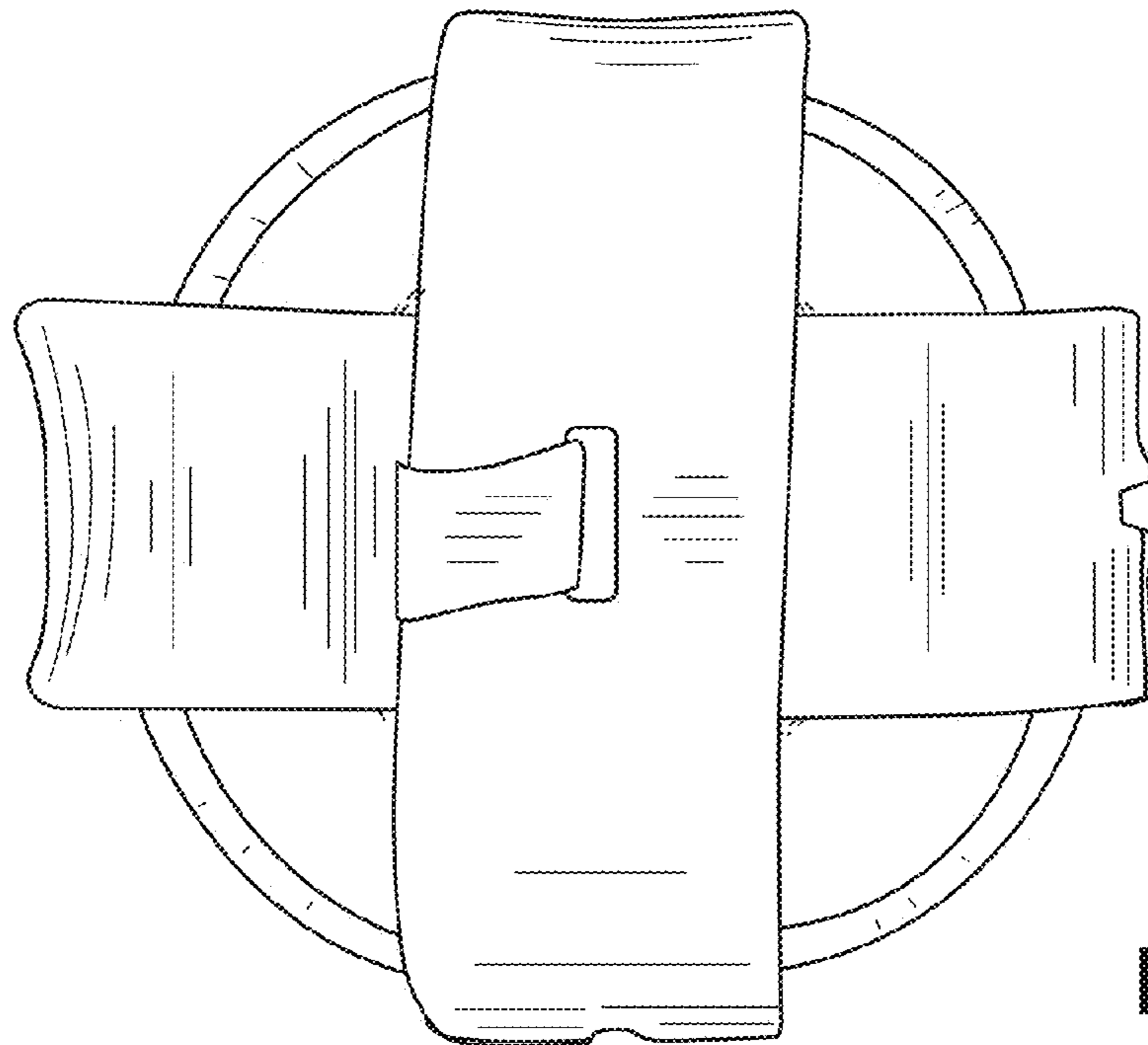


FIG. 3

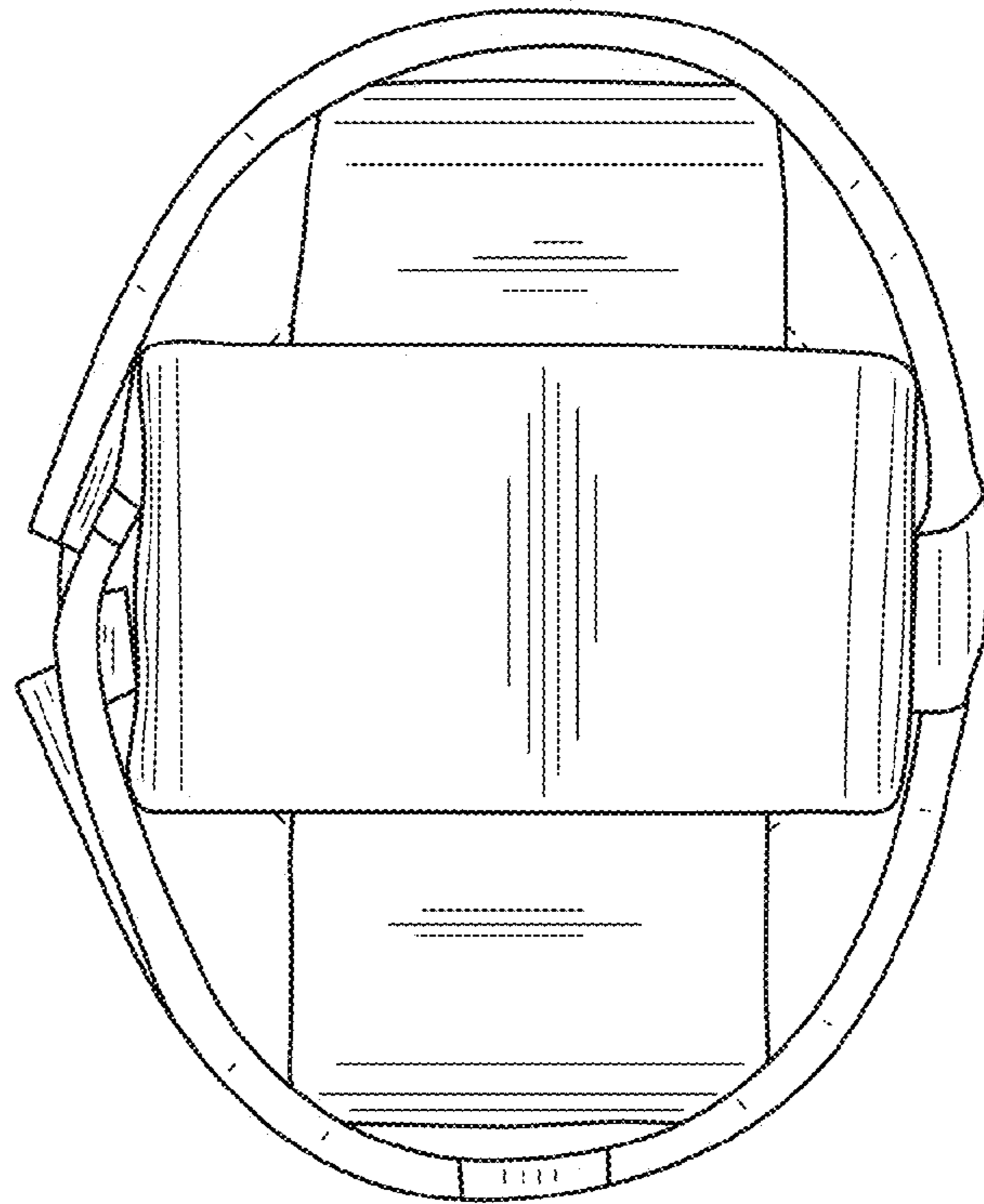


FIG. 4

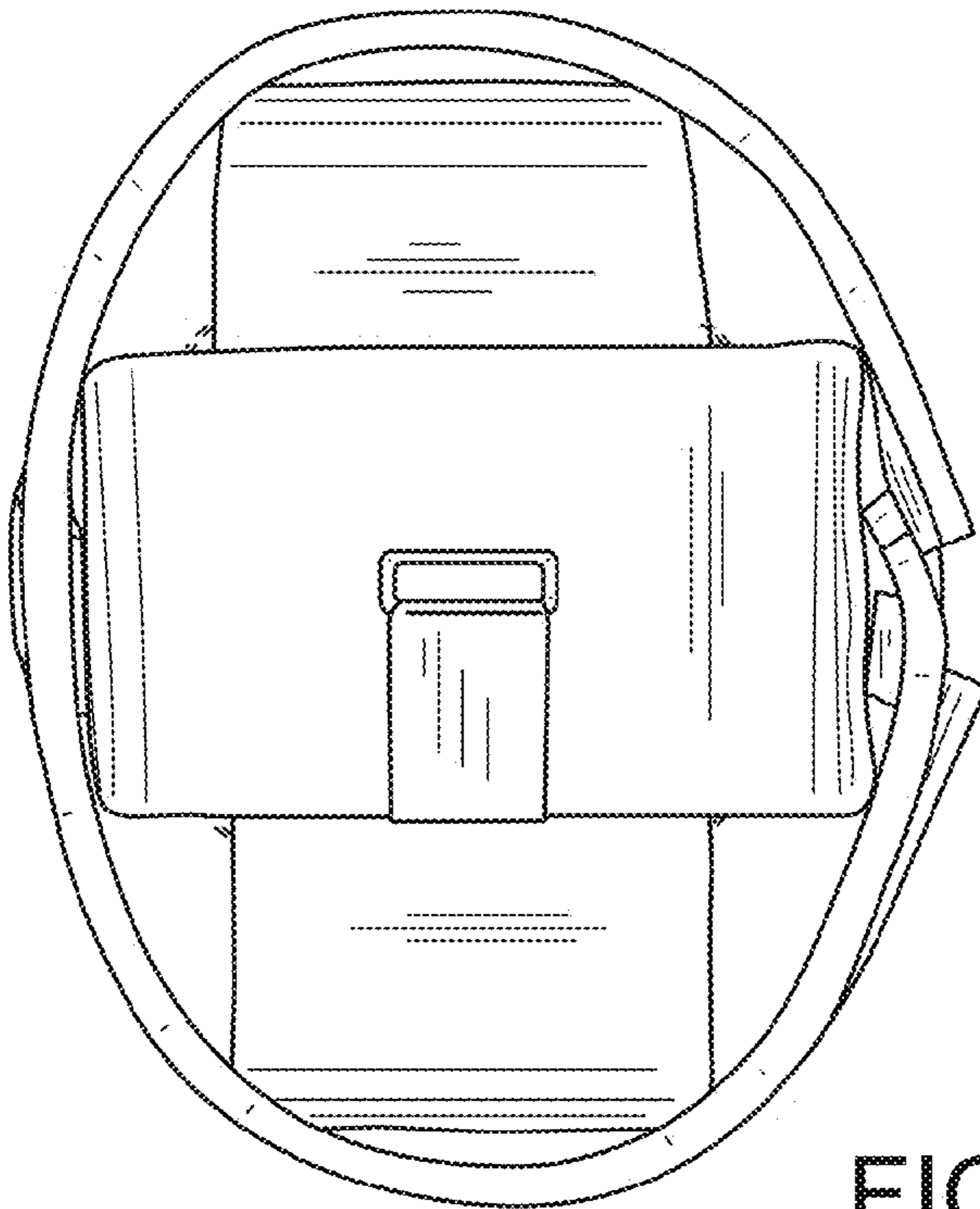


FIG. 5

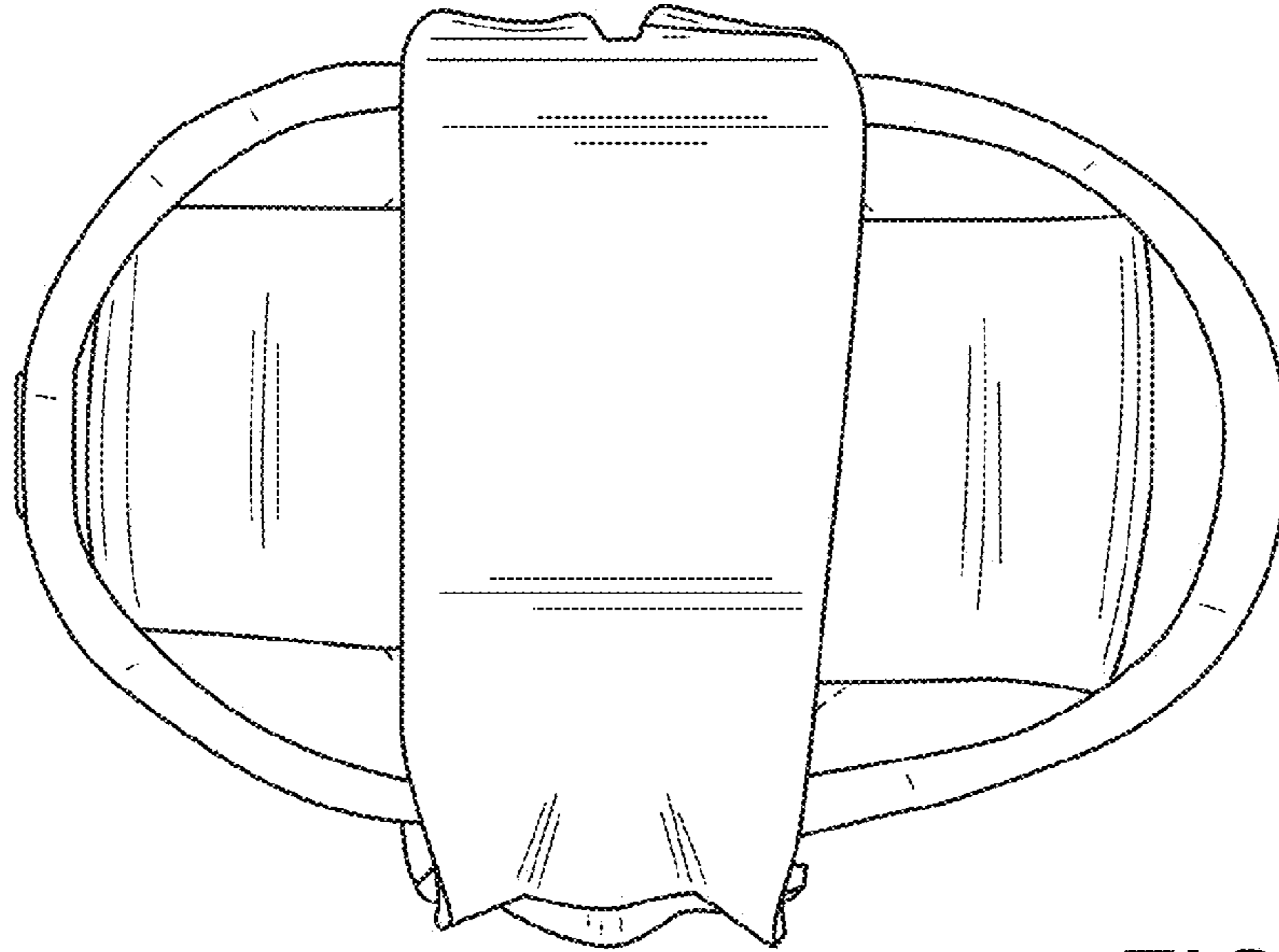


FIG. 6

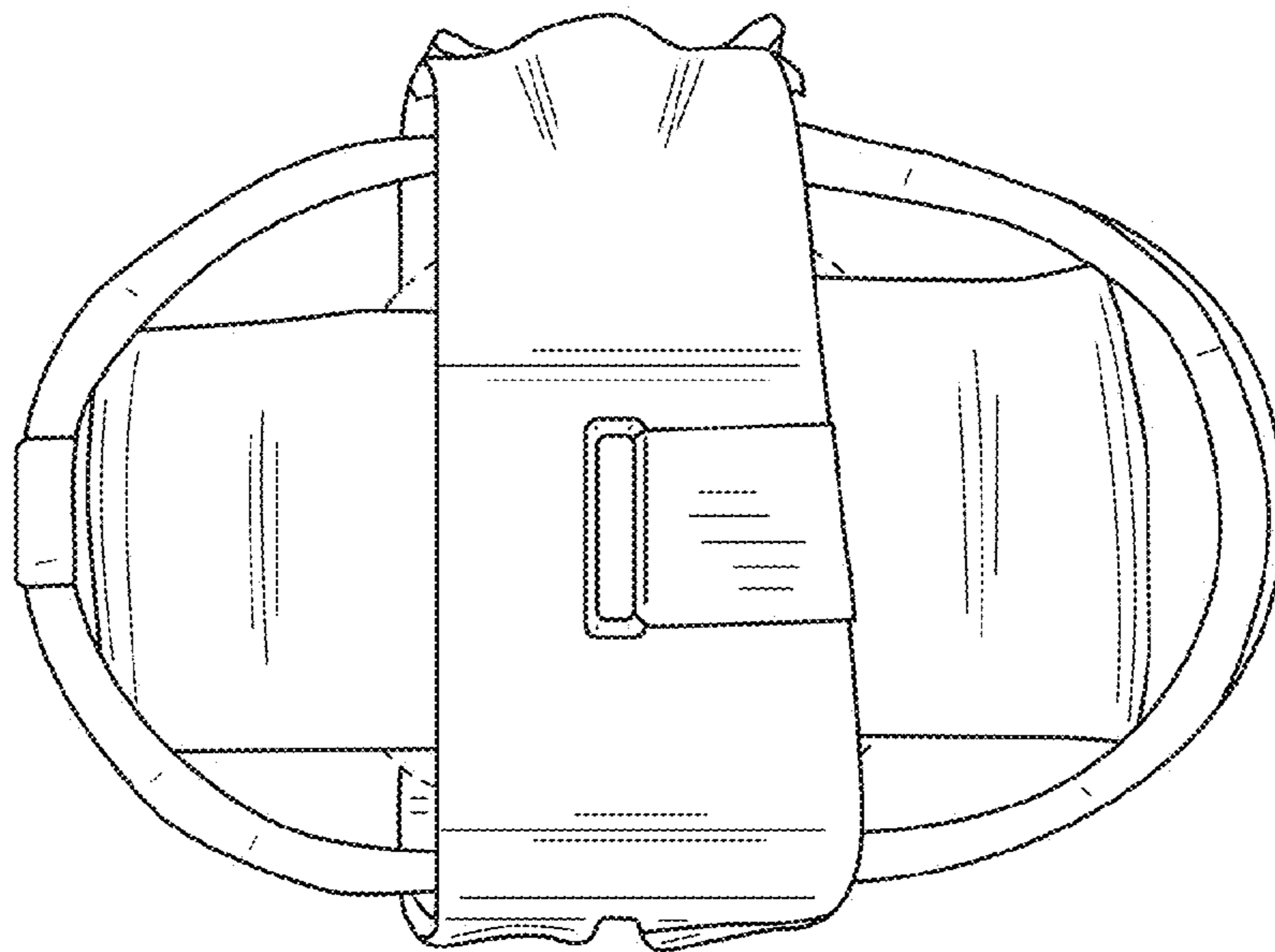


FIG. 7