



US00D717011S

(12) **United States Design Patent**
Ruiz et al.

(10) **Patent No.:** **US D717,011 S**
(45) **Date of Patent:** **** Nov. 4, 2014**

(54) **IRONING ORGANIZER**

(71) Applicant: **Whitmor, Inc.**, Southhaven, MS (US)
(72) Inventors: **Milton D. Ruiz**, Germantown, TN (US);
Sandy Felsenthal, Memphis, TN (US)
(73) Assignee: **Whitmor, Inc.**, Southhaven, MS (US)
(**) Term: **14 Years**

(21) Appl. No.: **29/492,819**

(22) Filed: **Jun. 3, 2014**

(51) **LOC (10) Cl.** **07-05**

(52) **U.S. Cl.**
USPC **D32/73**

(58) **Field of Classification Search**
CPC D06F 75/34; D06F 75/40; D06F 79/02;
A47B 73/002
USPC D32/73, 66, 35; D6/552, 566, 567, 568,
D6/573; D28/38, 73; 248/117.7, 117.3,
248/117.1, 117.6, 51; 211/119, 106
See application file for complete search history.

(56) **References Cited**

U.S. PATENT DOCUMENTS

2,112,336	A *	3/1938	Duvall	248/117.3
D116,718	S *	9/1939	Nesbitt	D32/73
D150,164	S *	7/1948	Skaredoff	D32/73
D153,350	S *	4/1949	Gelb	D32/73
2,529,132	A *	11/1950	Burnish	248/117.1
2,603,438	A *	7/1952	Adams	248/117.1
2,791,390	A *	5/1957	Grommons	248/117.2
D191,007	S *	8/1961	Caddell	D32/73

D191,133	S *	8/1961	Marx	D32/73
D211,124	S *	5/1968	Echols	D32/73
D246,497	S *	11/1977	Toyosawa	D32/73
D261,219	S *	10/1981	Latimer	D32/73
D302,615	S *	8/1989	Vildosola	D32/73
D366,545	S *	1/1996	Sambamurti	D32/73
D369,006	S *	4/1996	Pool	D32/73
D386,864	S *	11/1997	Ratliff et al.	D32/73
D393,119	S *	3/1998	Pool	D32/73
D451,254	S *	11/2001	Egan	D32/73
D502,302	S *	2/2005	Verbeek	D32/73
7,140,580	B1 *	11/2006	Hays	248/117.1
D564,167	S *	3/2008	Rosen	D32/73
D680,291	S *	4/2013	Shepherd	D32/73

* cited by examiner

Primary Examiner — Austin Murphy

(74) *Attorney, Agent, or Firm* — Husch Blackwell LLP

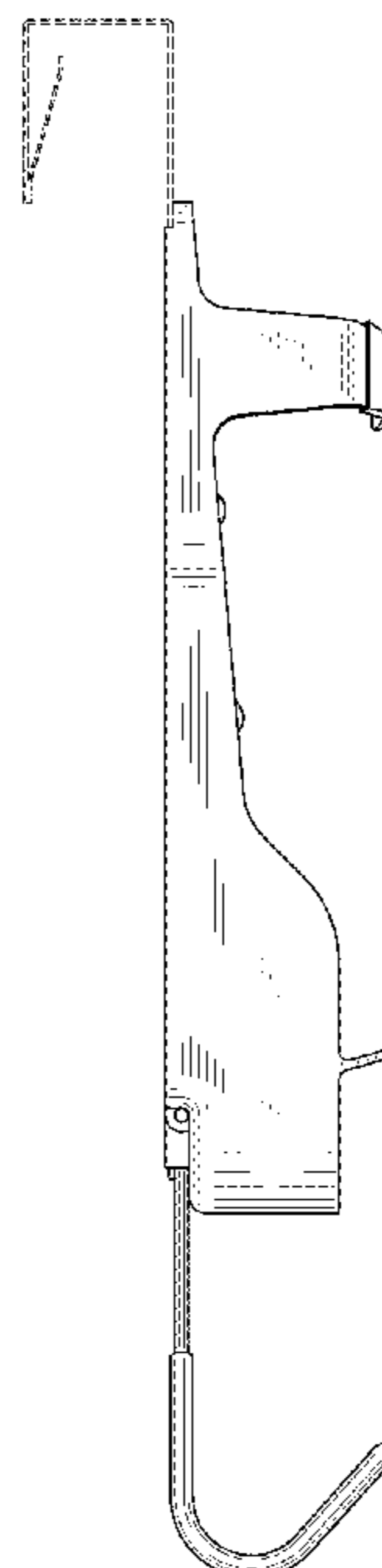
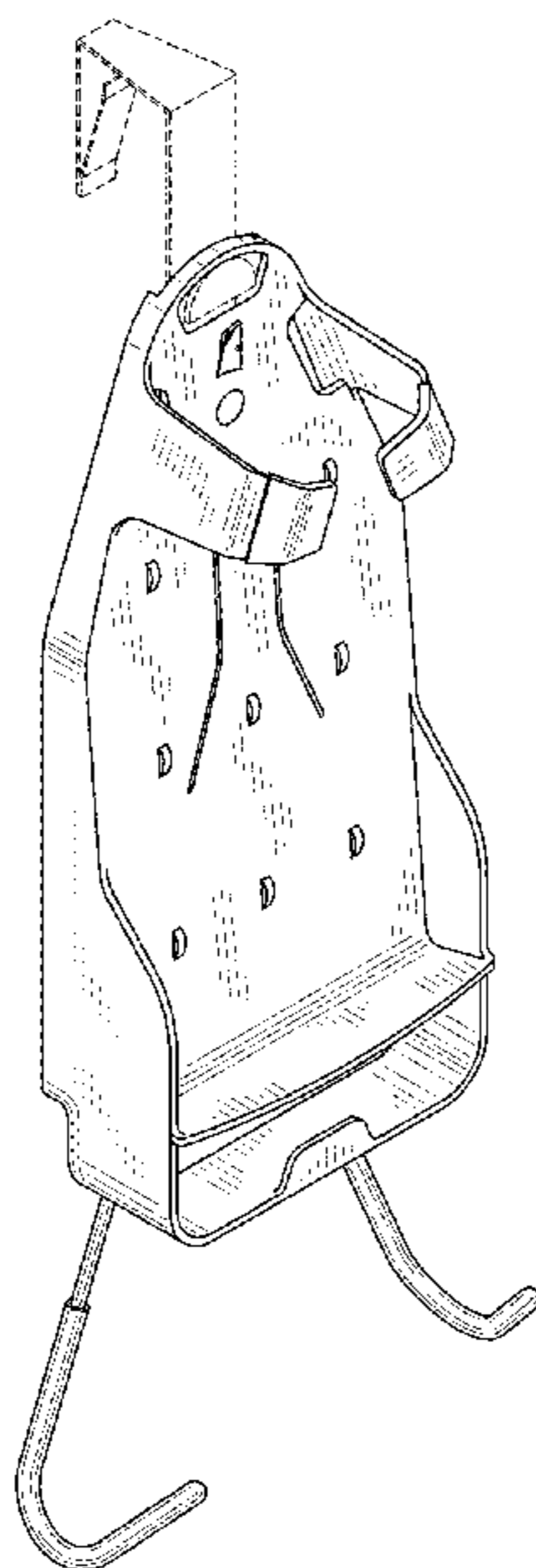
(57) **CLAIM**

We claim the ornamental design for an ironing organizer, as shown and described.

DESCRIPTION

FIG. 1 is a front perspective view of an ironing organizer according to our new design;
FIG. 2 is a front elevation view the hanger shown in FIG. 1;
FIG. 3 is a rear elevation view the hanger shown in FIG. 1;
FIG. 4 is a right side view the hanger shown in FIG. 1,
FIG. 5 is a left side view the hanger shown in FIG. 1;
FIG. 6 is a top view the hanger shown in FIG. 1; and,
FIG. 7 is a bottom view the hanger shown in FIG. 1.
The broken lines shown in the drawing views are included for the purpose of showing environmental structure that forms no part of the claimed design.

1 Claim, 5 Drawing Sheets



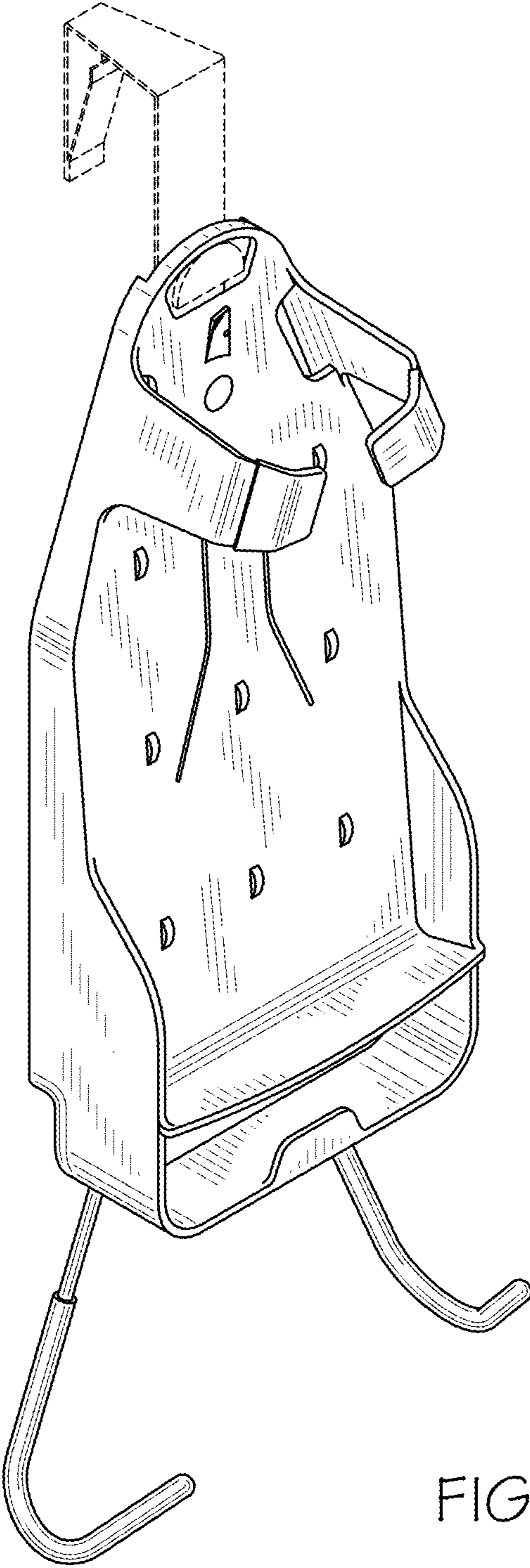


FIG. 1

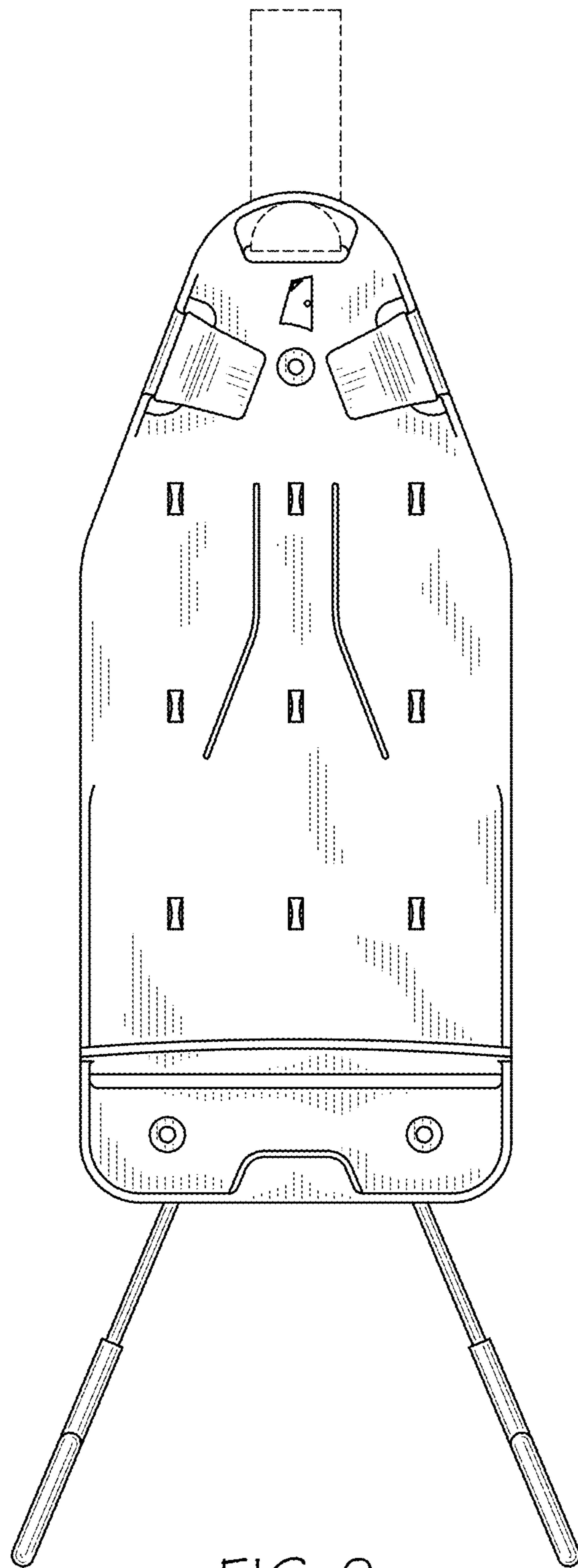


FIG. 2

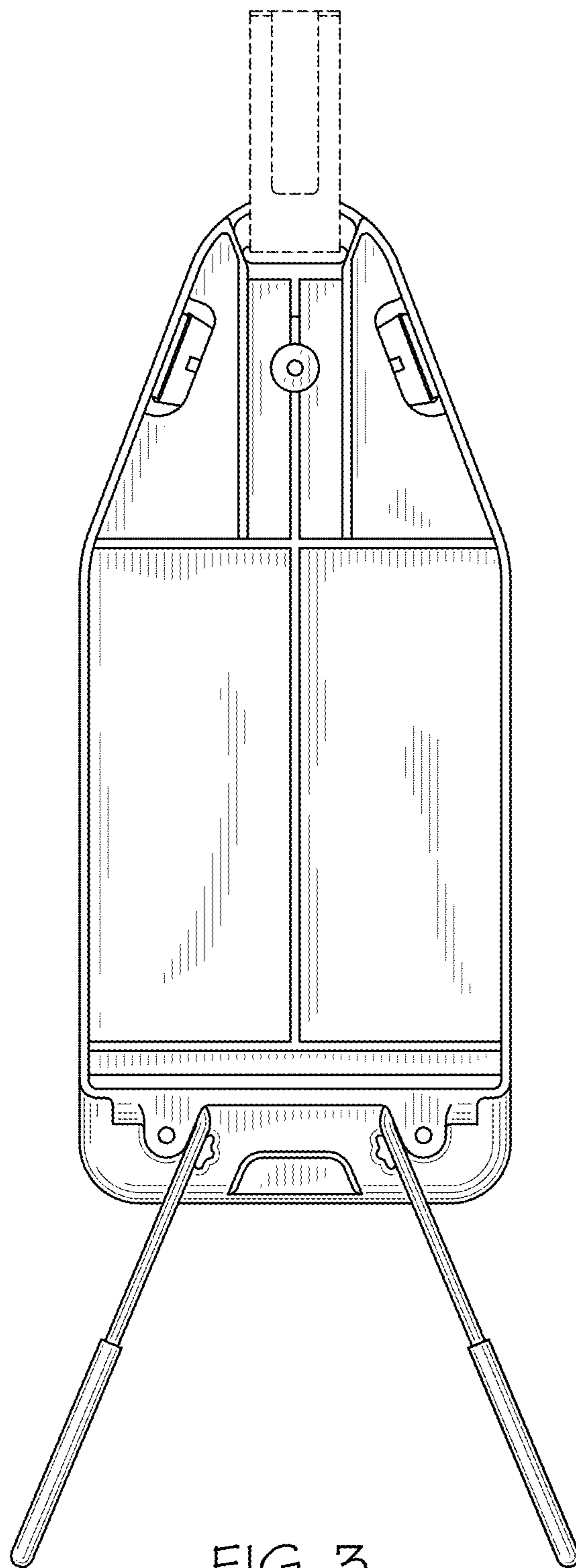


FIG. 3

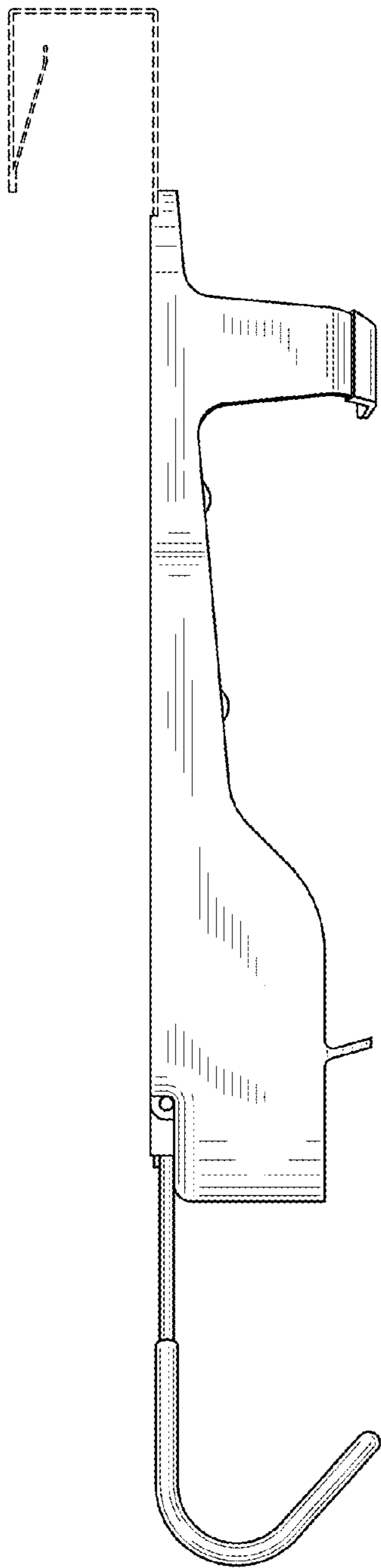


FIG. 4

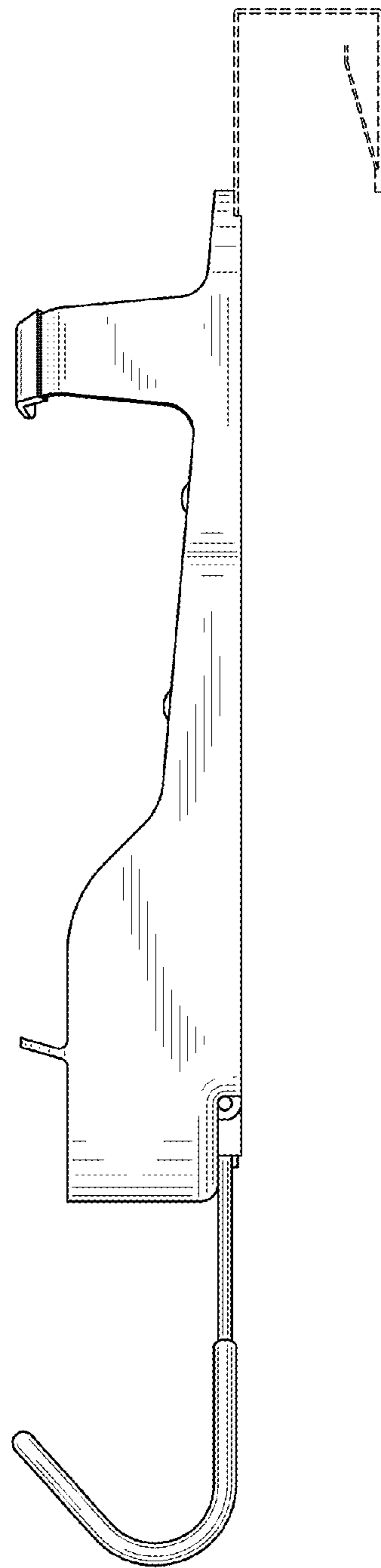


FIG. 5

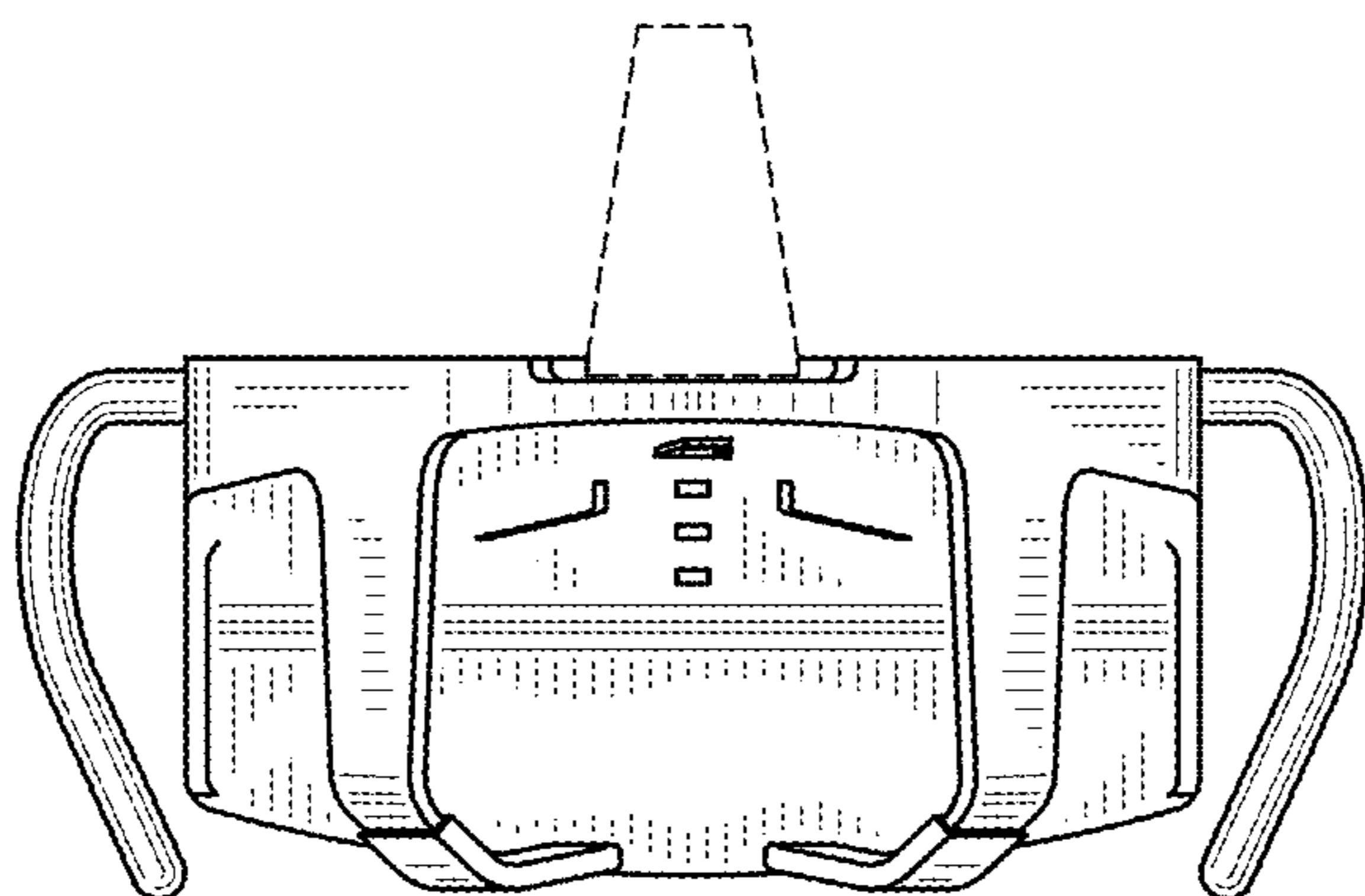


FIG. 6

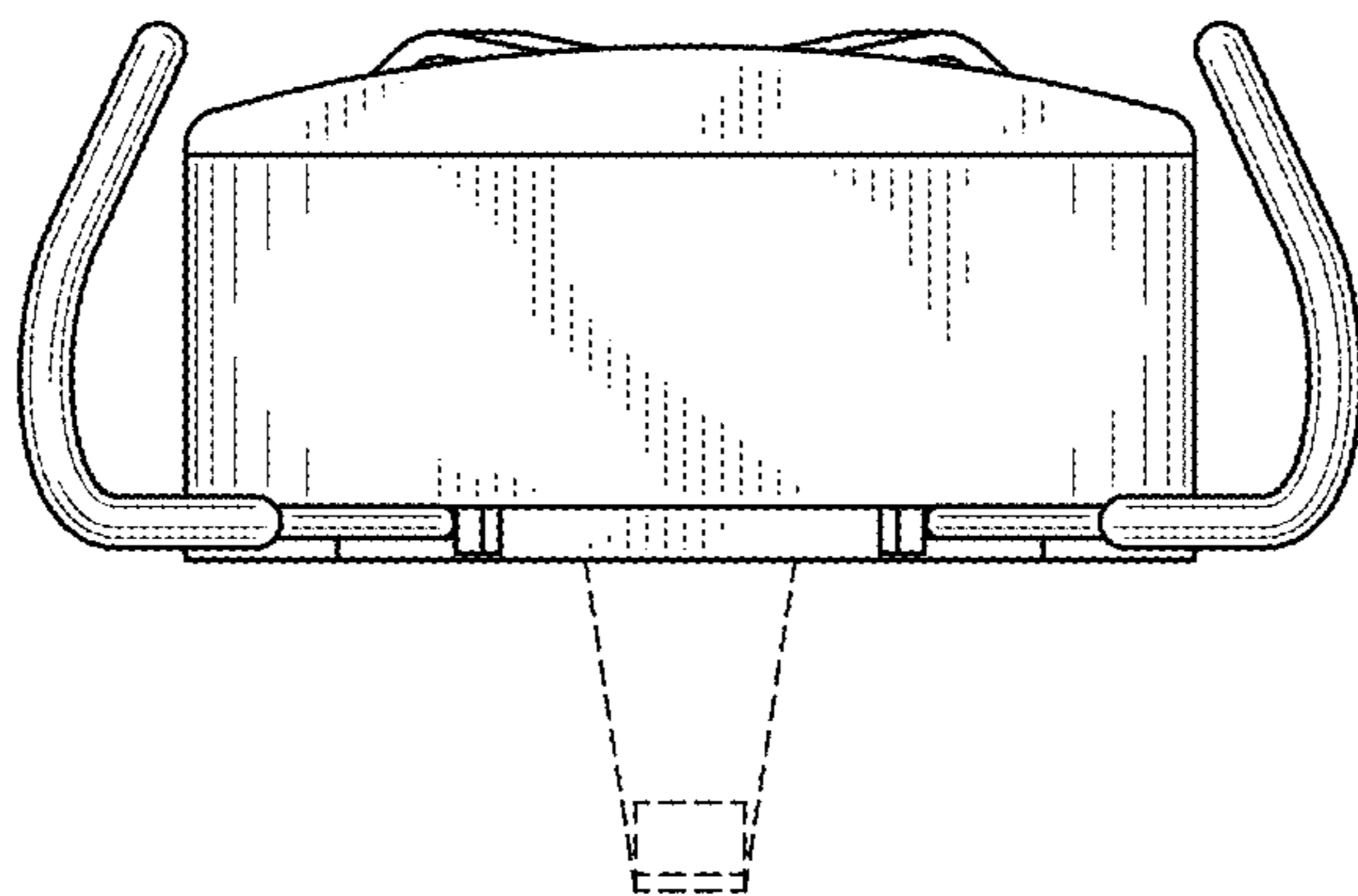


FIG. 7